



US00D563698S

(12) **United States Design Patent**
Petrucelli

(10) **Patent No.:** **US D563,698 S**
(45) **Date of Patent:** **** Mar. 11, 2008**

(54) **BEAUTY SALON CHAIR WITH DUAL CURVED SIDE ARMS**

(75) Inventor: **Giulio Petrucelli**, Flushing, NY (US)

(73) Assignee: **P.S. Pibbs, Inc.**, Flushing, NY (US)

(**) Term: **14 Years**

(21) Appl. No.: **29/292,437**

(22) Filed: **Oct. 11, 2007**

(51) **LOC (8) Cl.** **06-01**

(52) **U.S. Cl.** **D6/500**

(58) **Field of Classification Search** D6/334-336,
D6/360, 364, 365, 366, 367, 374, 379, 380,
D6/500-502; 297/411.2, 411.44, 451.5
See application file for complete search history.

(56) **References Cited**

U.S. PATENT DOCUMENTS

- D95,745 S * 5/1935 Hoffmann D6/379
- D297,890 S * 10/1988 Hockenberry et al. D6/367
- D330,478 S * 10/1992 Wogoman et al. D6/500
- D335,596 S * 5/1993 Wogoman et al. D6/500
- D430,434 S * 9/2000 Ooyama D6/500
- D444,636 S * 7/2001 Ooyama D6/360
- D448,954 S * 10/2001 Sato D6/500
- D456,649 S * 5/2002 Ooyama D6/500
- D487,983 S * 4/2004 Muller D6/360

- D487,986 S * 4/2004 Muller D6/365
- D526,146 S * 8/2006 Kita D6/500

* cited by examiner

Primary Examiner—Mimosa De

(74) *Attorney, Agent, or Firm*—Anthony J. Casella; Gerald E. Hespos

(57) **CLAIM**

The ornamental design for a beauty salon chair with dual curved side arms, as shown and described.

DESCRIPTION

FIG. 1 is a perspective view of a beauty salon chair with dual curved side arms showing my new design;

FIG. 2 is a front elevational view of the beauty salon chair with dual curved side arms of FIG. 1;

FIG. 3 is a top plan view of the beauty salon chair with dual curved side arms of FIG. 1;

FIG. 4 is a left side elevational view of the beauty salon chair with dual curved side arms of FIG. 1, with the opposite side being a mirror image of the side shown;

FIG. 5 is a back elevational view of the beauty salon chair with dual curved side arms of FIG. 1; and,

FIG. 6 is a bottom plan view of the beauty salon chair with dual curved side arms of FIG. 1.

The broken line showing the leg support in FIG. 1 is for illustrative purposes only and forms no part of the claimed design.

1 Claim, 6 Drawing Sheets

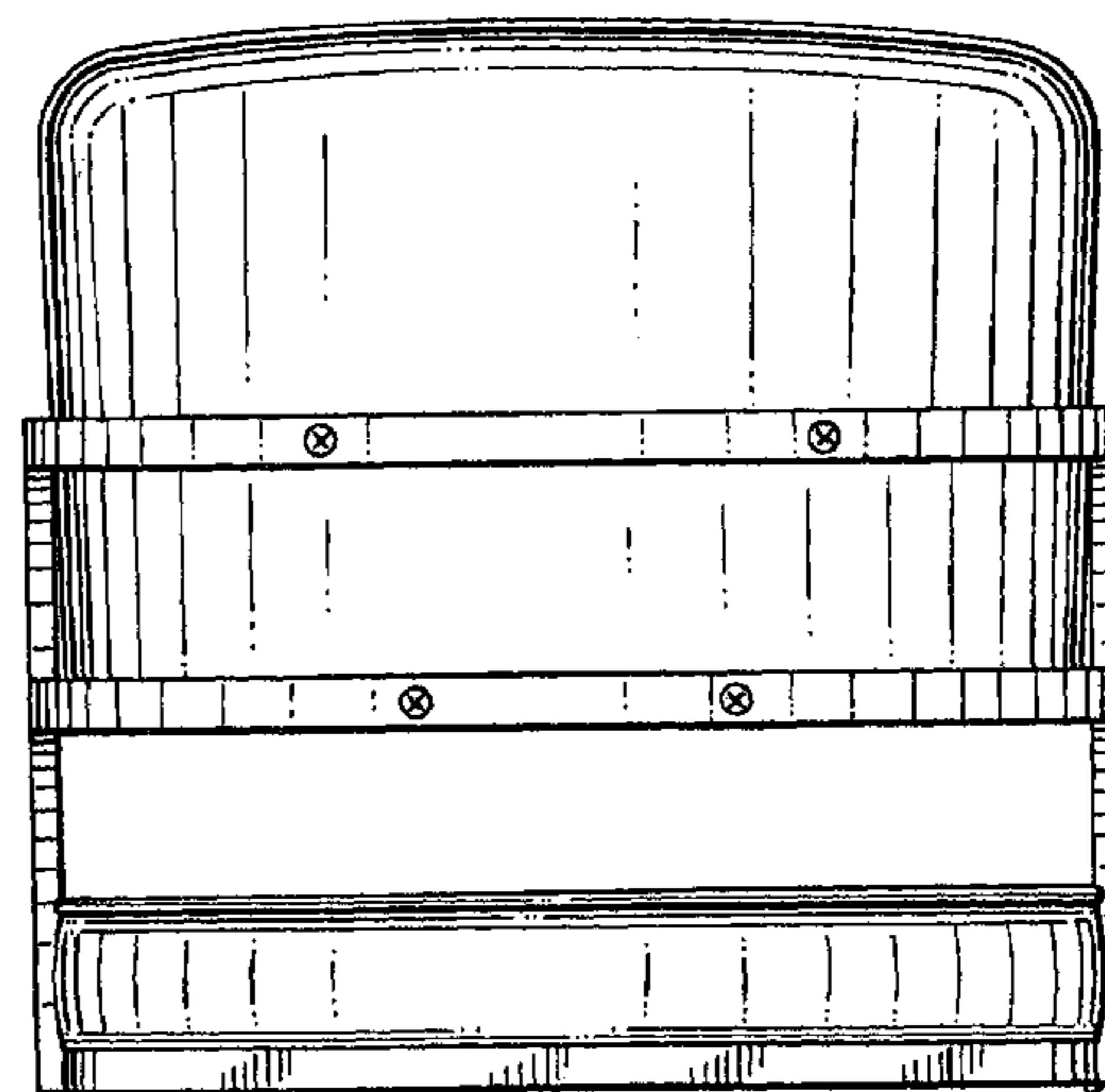
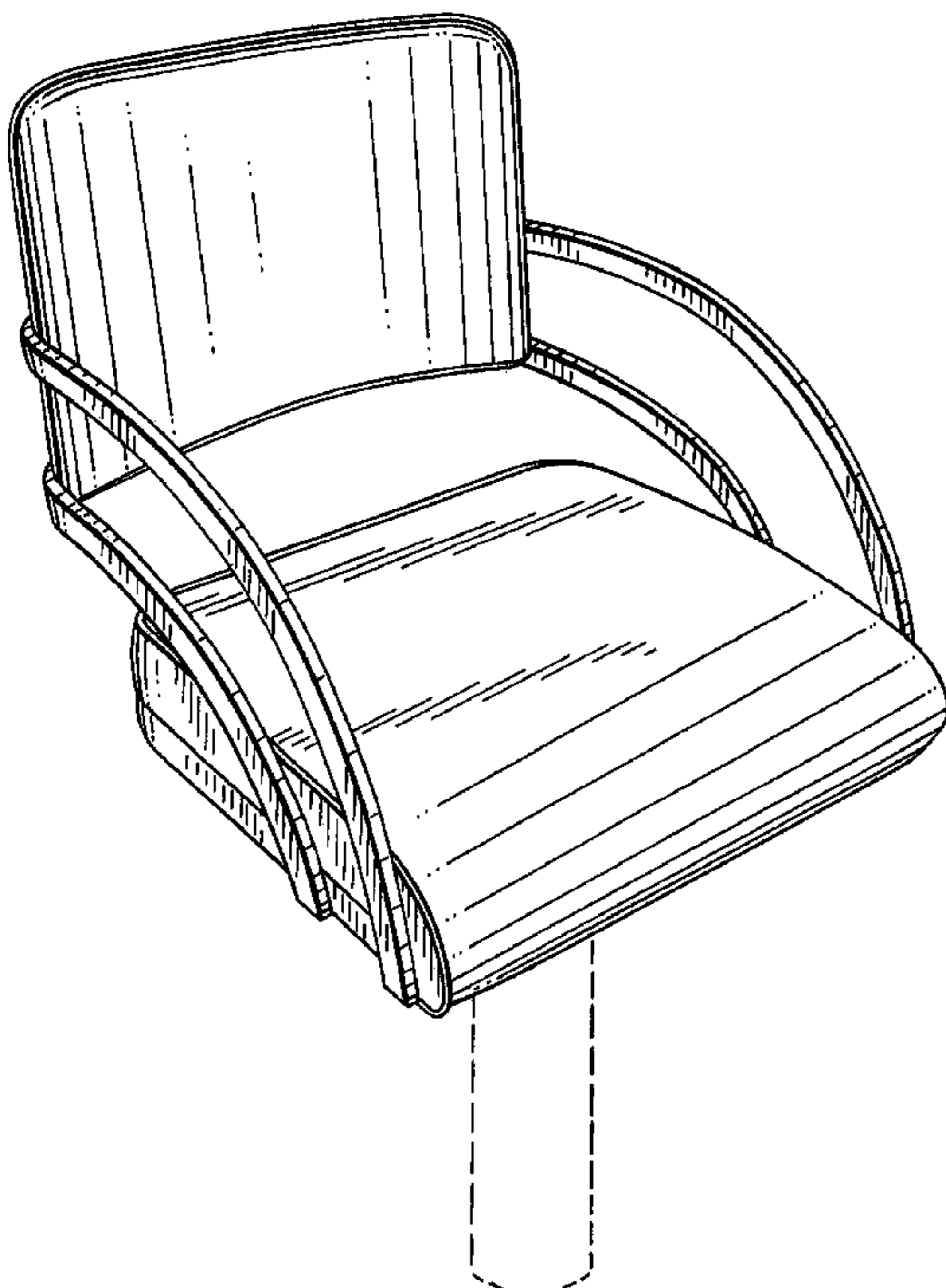
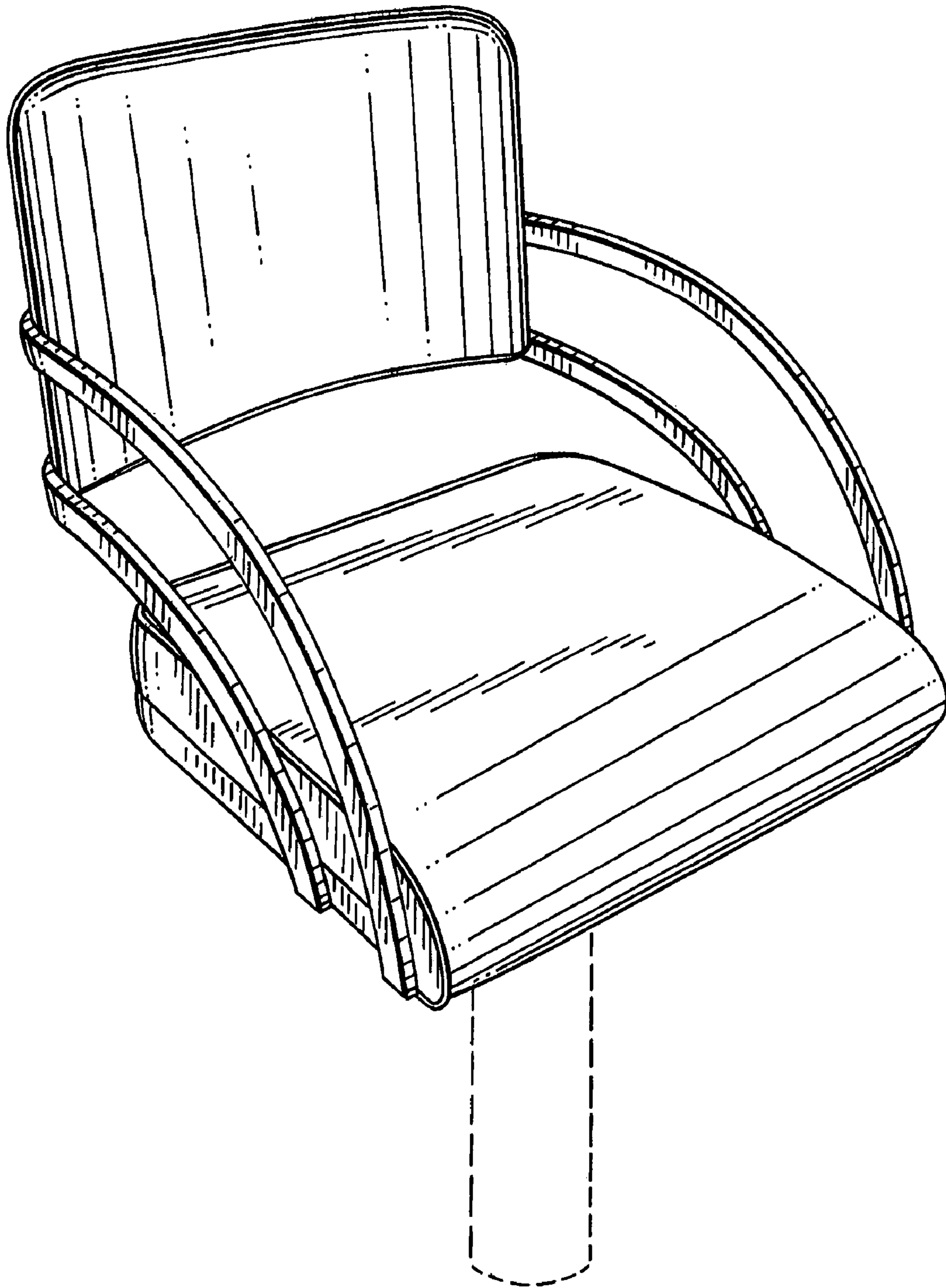


FIG.1



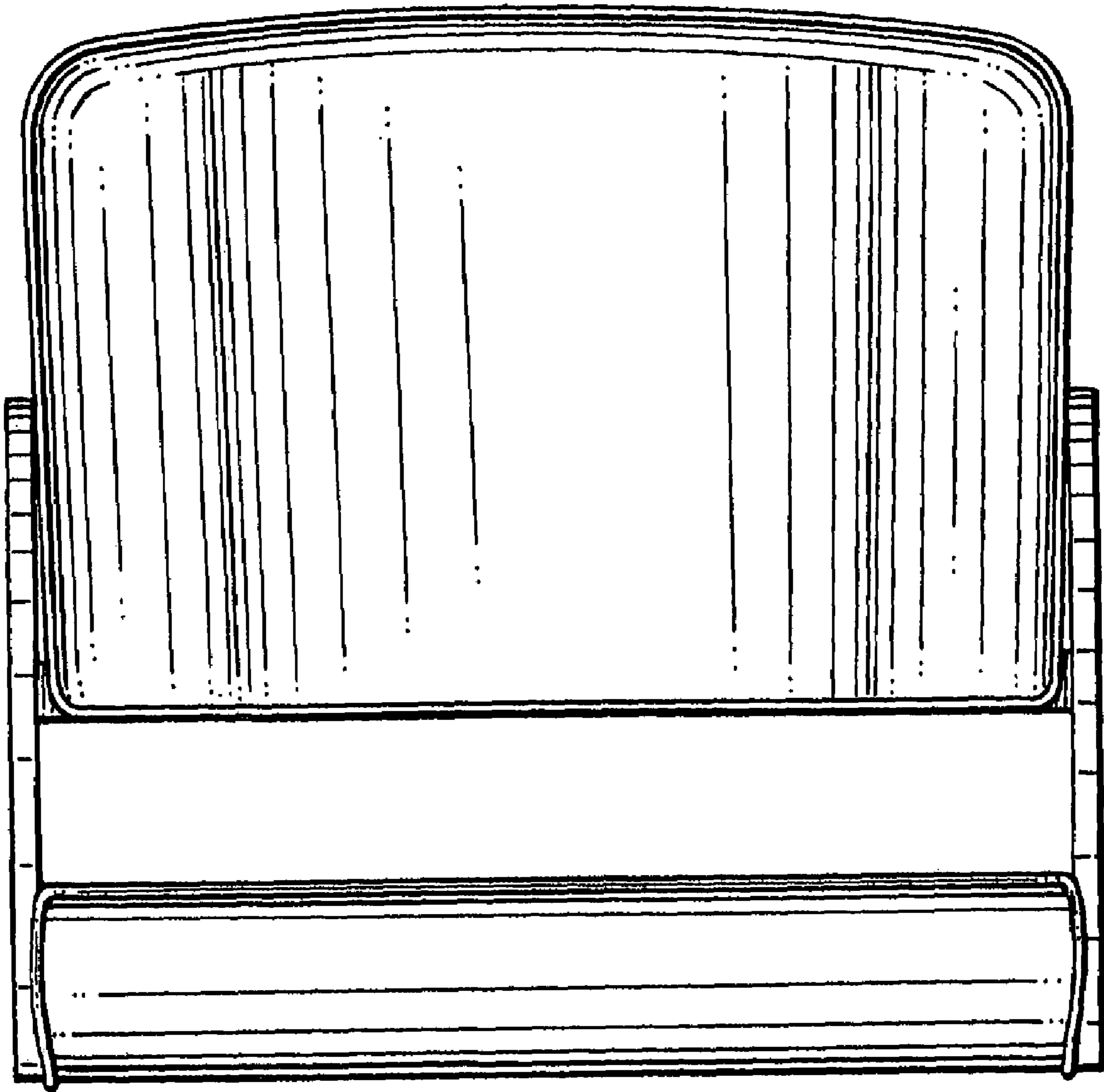


FIG.2

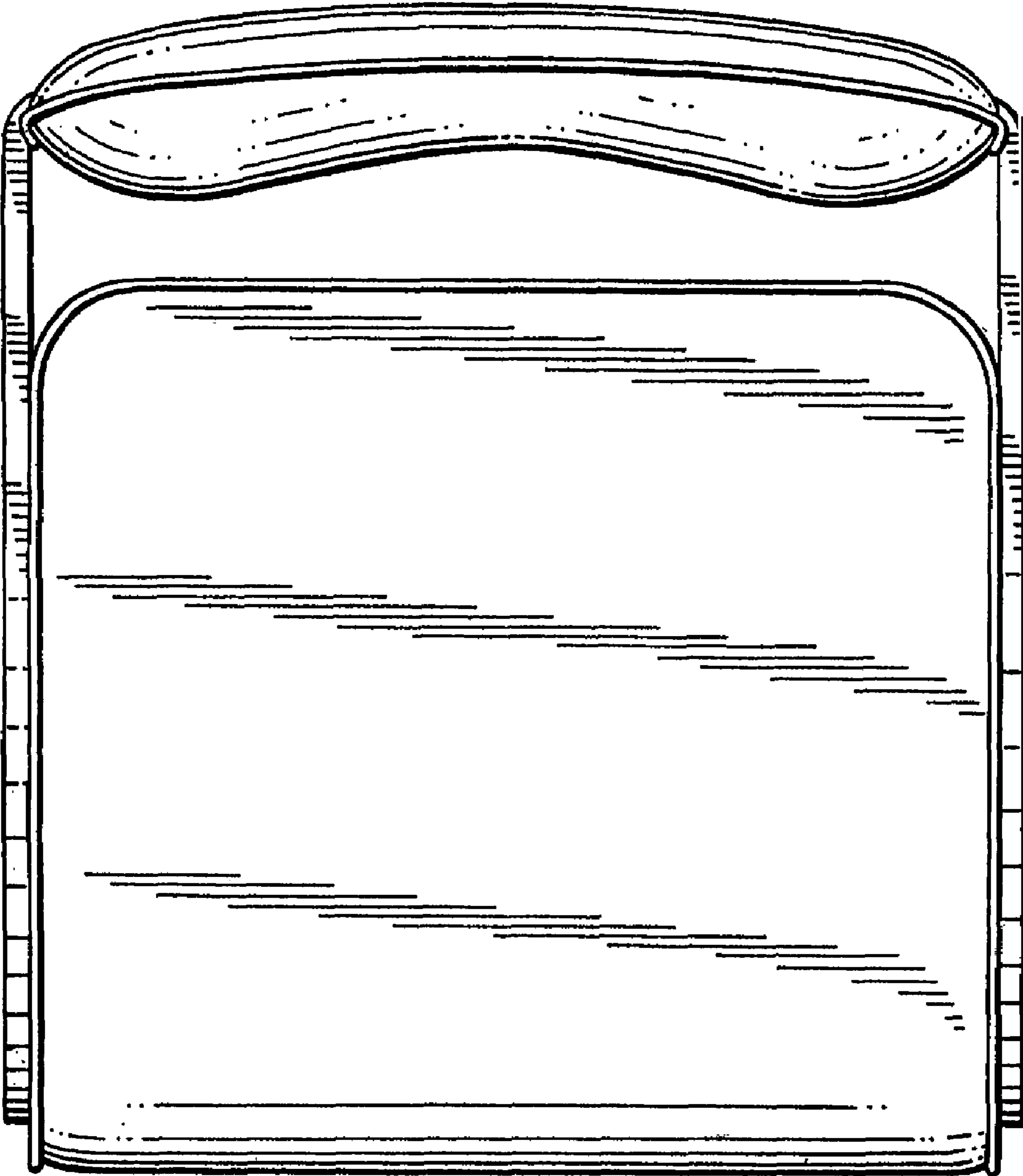


FIG.3

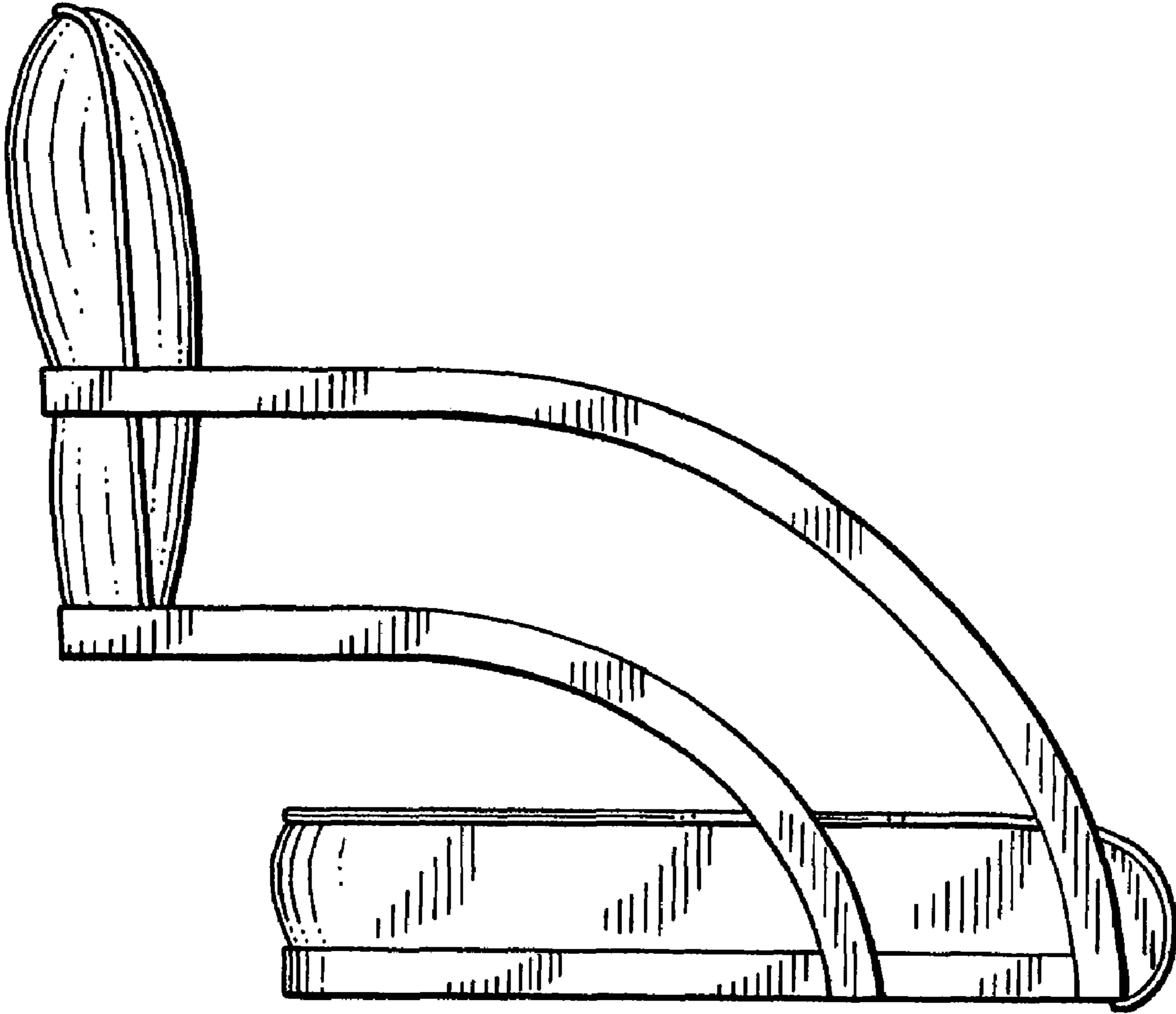
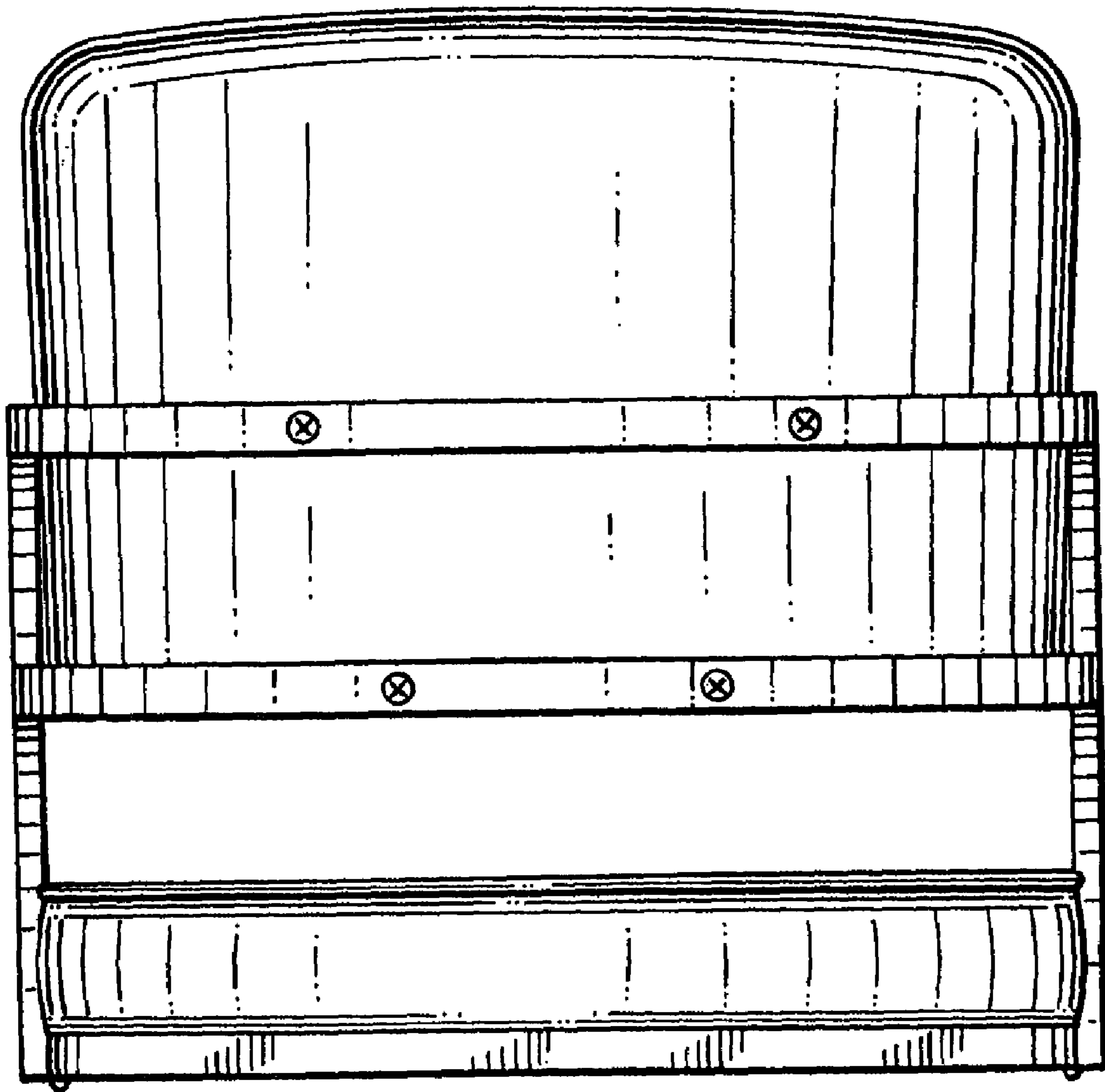


FIG. 4

FIG.5



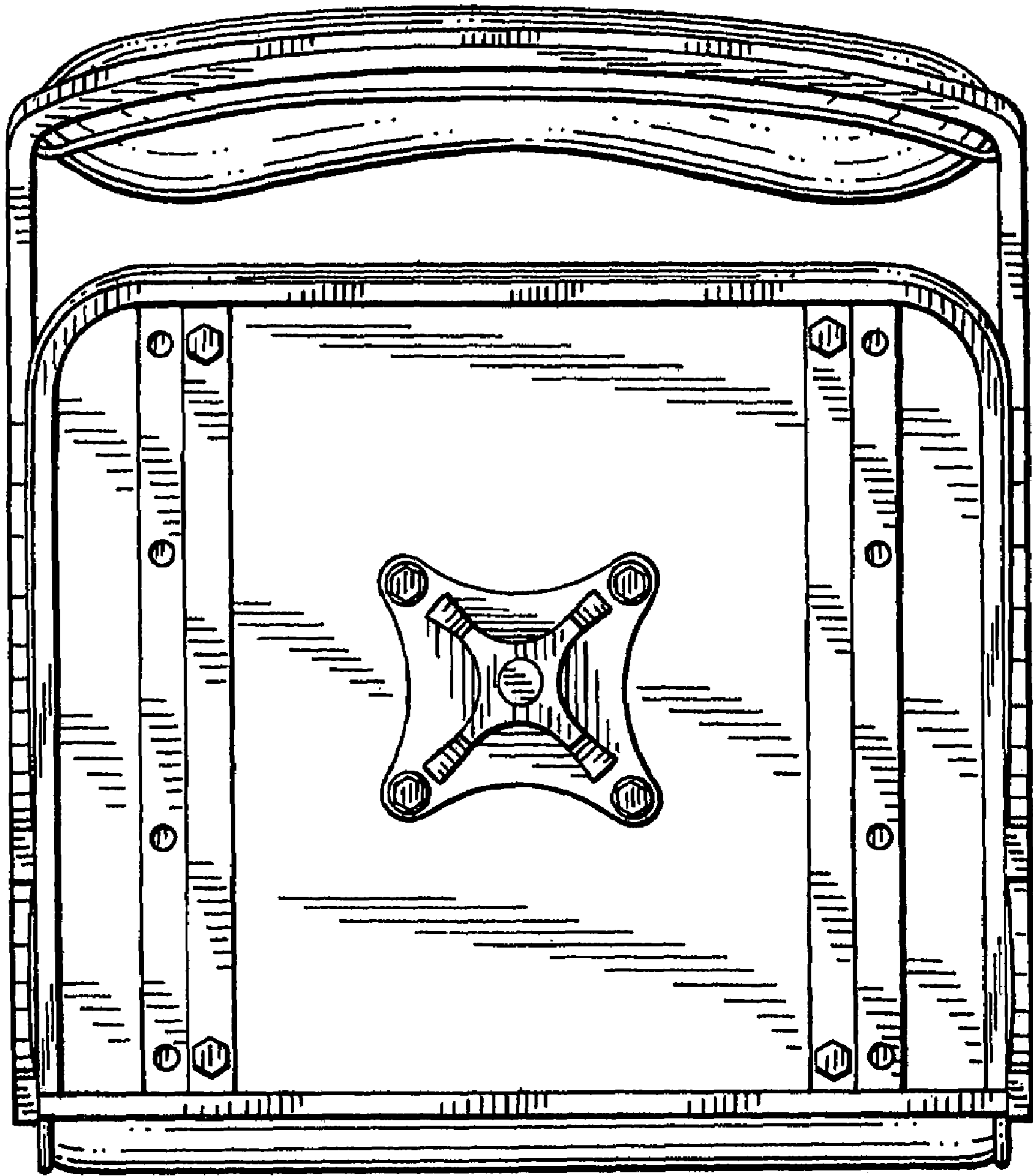


FIG. 6