



US00D563697S

(12) **United States Design Patent**  
**Glass et al.**

(10) **Patent No.: US D563,697 S**  
(45) **Date of Patent: \*\* Mar. 11, 2008**

(54) **DESK**  
(75) Inventors: **Peter Glass**, Arroyo Grande, CA (US);  
**Robert J. Mills**, Torrance, CA (US)  
(73) Assignee: **Virco Mgmt. Corporation**, Torrance,  
CA (US)  
(\*\*) Term: **14 Years**

D437,152 S \* 2/2001 Brown et al. .... D6/495  
D452,783 S 1/2002 Hecht  
D456,170 S 4/2002 Chang  
D463,166 S 9/2002 Russell et al.  
D473,068 S 4/2003 Holbrook et al.  
D473,339 S 4/2003 Holbrook et al.  
D473,728 S 4/2003 Chang  
D474,044 S 5/2003 Holbrook et al.  
D474,049 S 5/2003 Wakasugi

(21) Appl. No.: **29/265,139**

(Continued)

(22) Filed: **Aug. 24, 2006**

**OTHER PUBLICATIONS**

(51) **LOC (8) Cl.** ..... **06-06**  
(52) **U.S. Cl.** ..... **D6/499**  
(58) **Field of Classification Search** ..... D6/480-489,  
D6/495-499, 429-431; 108/150, 151, 153.1,  
108/161, 155, 156, 157.1, 144.11, 146, 147.19,  
108/139, 147.2; 248/188.1, 188, 188.7, 188.8,  
248/407

Artco-Bell Corporation "Product Catalog", p. 22, model C800,  
undated.  
KI Intellect Two-Student Table, www.ki.com, Feb. 28, 2006.  
Royal Seating, Ltd., Total Furniture Solutions, p. 16, models 900D  
and 905D, and p. 17, model 910D, undated.  
Scholar Craft, "School Furniture" catalog, p. 26, model 7950, 2003.  
Smith System, "Furniture for Teaching and Technology" catalog, p.  
35, models 01380 and 01361, 2004.

See application file for complete search history.

*Primary Examiner*—Janice E. Seeger

(56) **References Cited**

(74) *Attorney, Agent, or Firm*—Robert M. Hupe; Virco  
Mgmt. Corporation

**U.S. PATENT DOCUMENTS**

D99,565 S 5/1936 Talbert  
D113,459 S 2/1939 Haag  
D168,787 S 2/1953 Florian et al.  
D170,004 S 7/1953 Chapman et al.  
D170,006 S 7/1953 Chapman et al.  
D177,297 S 3/1956 Wright  
D177,298 S 3/1956 Wright  
D178,408 S 7/1956 Konkle  
D183,442 S 8/1958 Williams  
D197,653 S \* 3/1964 Sundburg et al. .... D6/496  
D216,710 S 3/1970 Lambert et al.  
D235,824 S \* 7/1975 Payne ..... D6/462  
D273,163 S \* 3/1984 Halme ..... D6/420  
D274,586 S \* 7/1984 Cope et al. .... D6/420  
D306,105 S 2/1990 Newhouse  
D321,447 S 11/1991 Newhouse  
D335,787 S 5/1993 Hollington  
D386,631 S 11/1997 Meier et al.  
D399,077 S \* 10/1998 Lepper et al. .... D6/484  
D435,366 S 12/2000 McClintock

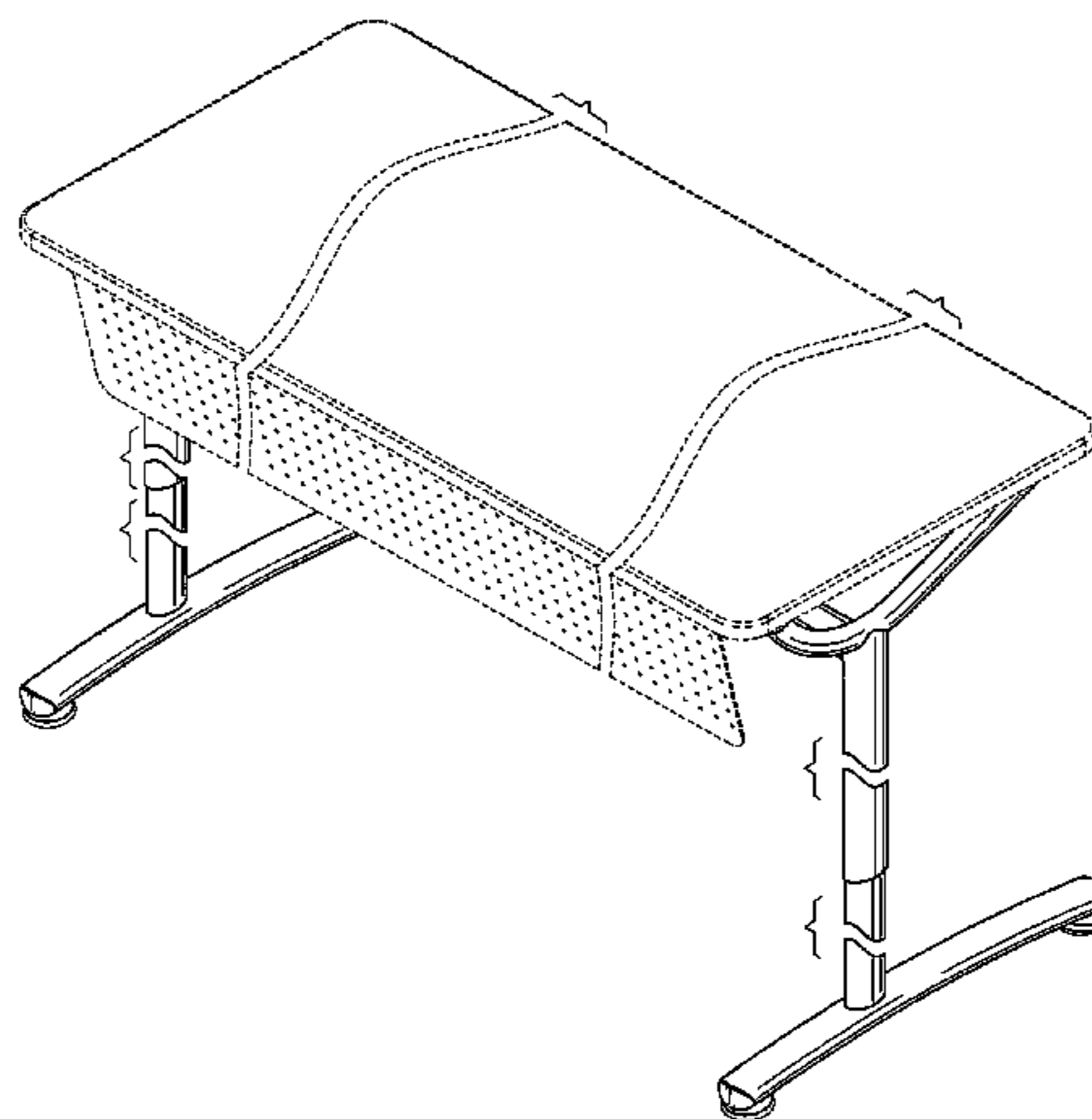
(57) **CLAIM**

The ornamental design for a "desk," as shown and  
described.

**DESCRIPTION**

FIG. 1 is a top perspective view of a desk showing my new  
design;  
FIG. 2 is a back plan view thereof;  
FIG. 3 is a left side view thereof, the opposite side view  
being a mirror image thereof;  
FIG. 4 is a bottom view thereof; and,  
FIG. 5 is a bottom perspective view thereof.  
The broken lines are for illustrative purposes only and form  
no part of the claimed design.

**1 Claim, 5 Drawing Sheets**



# US D563,697 S

Page 2

---

## U.S. PATENT DOCUMENTS

D486,679 S	*	2/2004	Linder .....	D6/511	D510,670 S		10/2005	Glass et al.	
D487,854 S		3/2004	Tsai		D512,587 S	*	12/2005	Frenkler et al. ....	D6/480
D488,940 S		4/2004	Tsai		D516,344 S		3/2006	Cox	
D498,091 S	*	11/2004	Winter et al. ....	D6/495	7,036,437 B2	*	5/2006	Choi et al. ....	108/118
D501,741 S	*	2/2005	Risdall .....	D6/480	D523,633 S		6/2006	Risdall	
D507,710 S		7/2005	Fletcher et al.						

\* cited by examiner

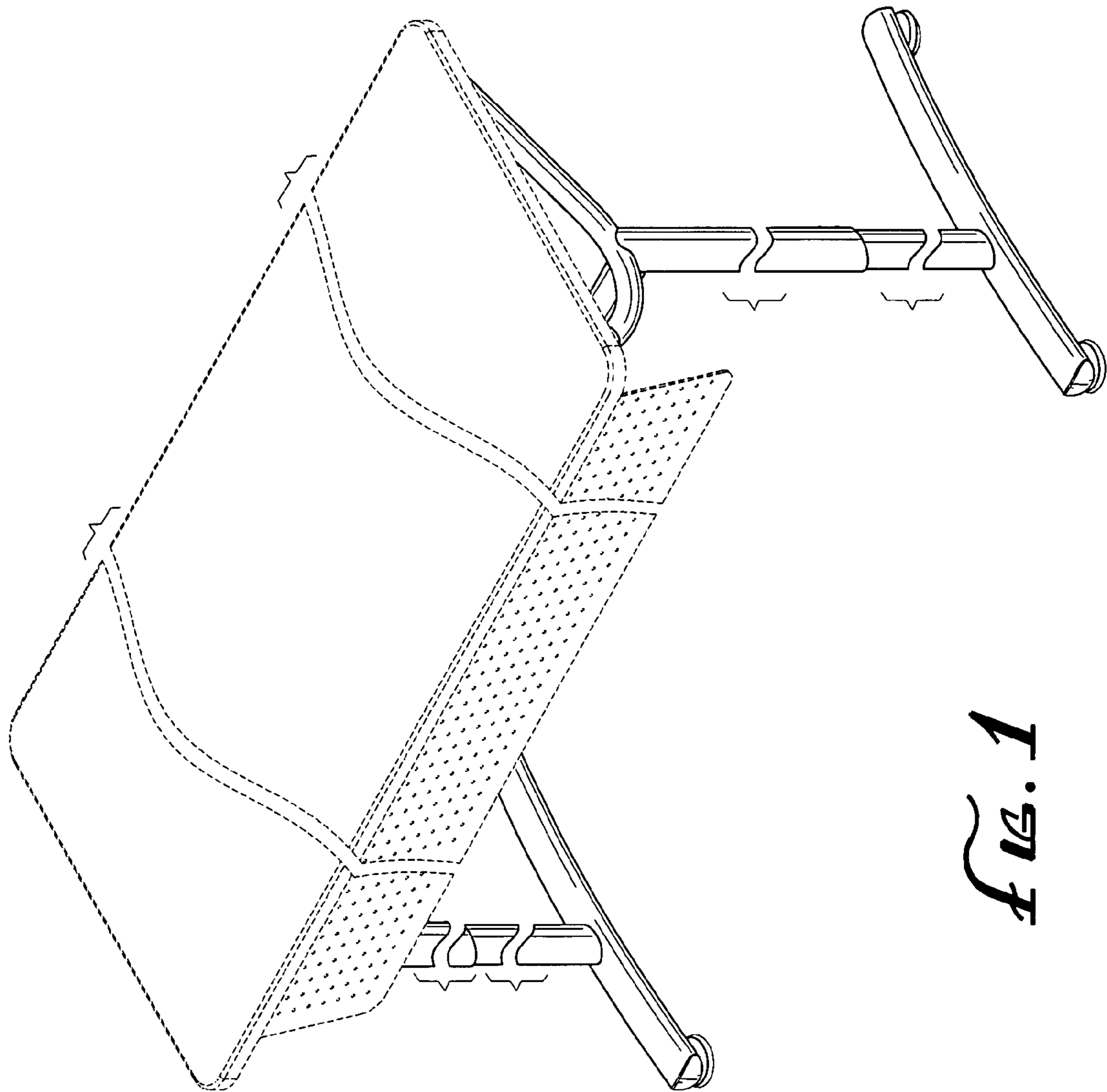


FIG. 1

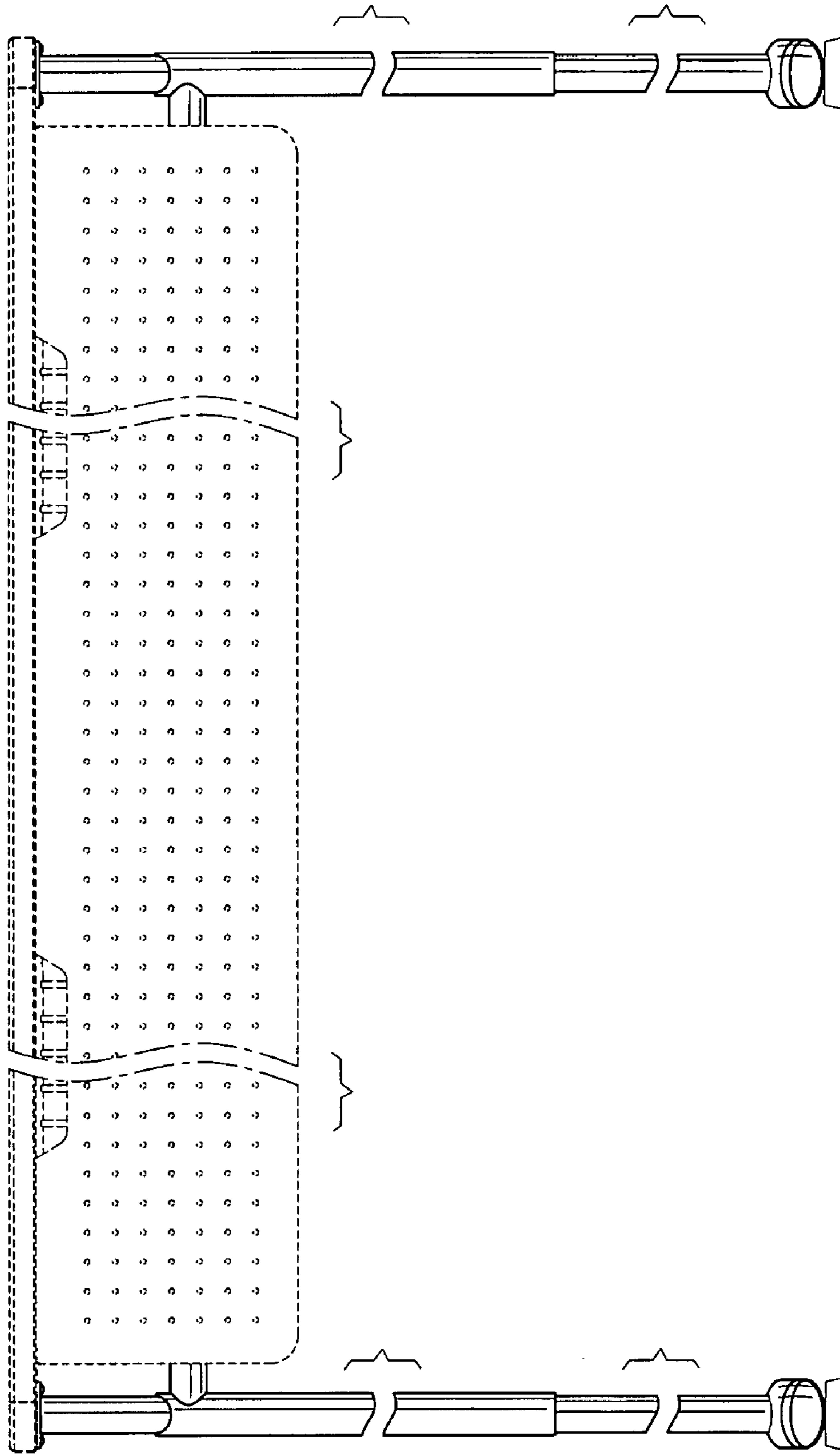
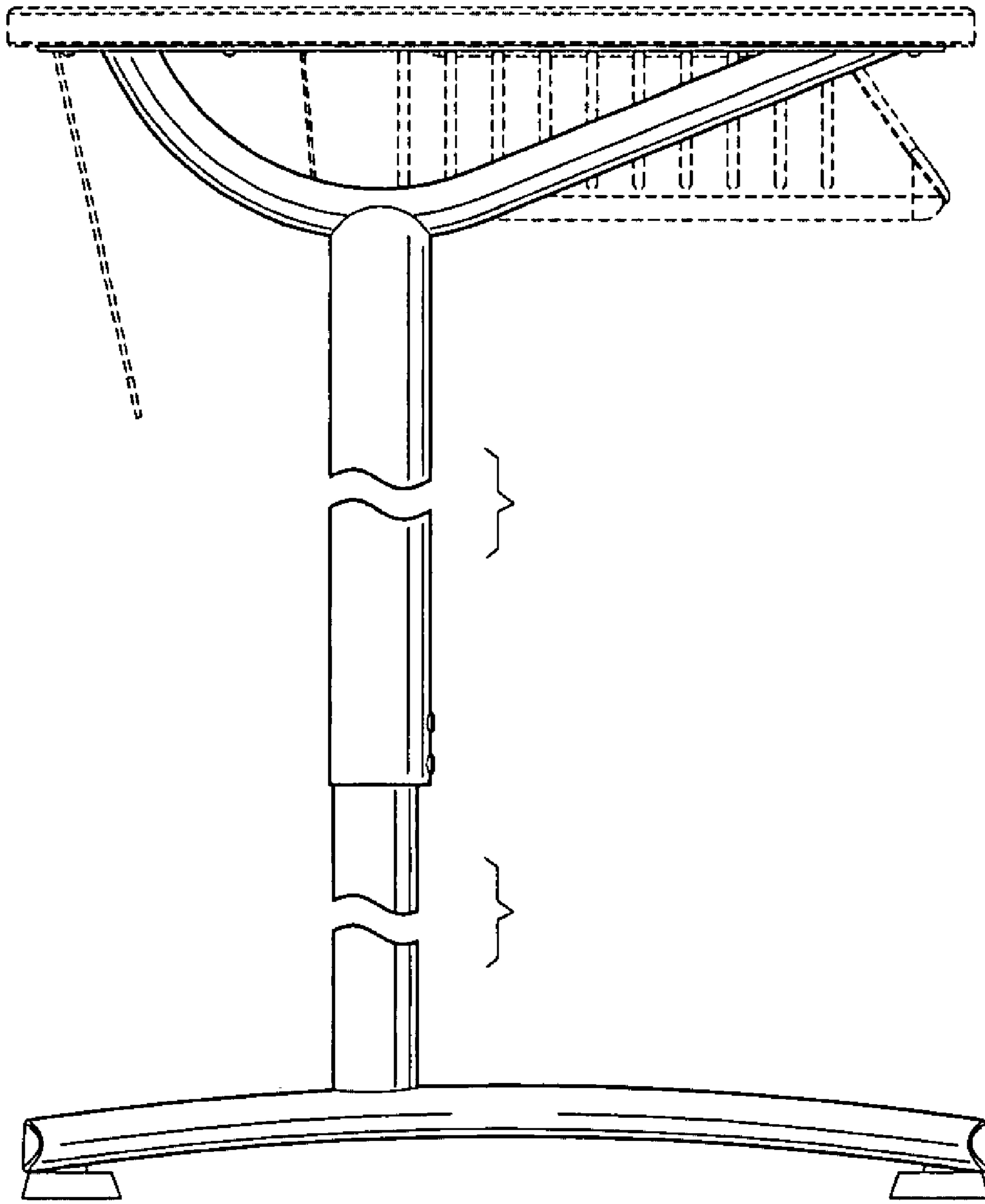


Fig. 2



*FIG. 3*

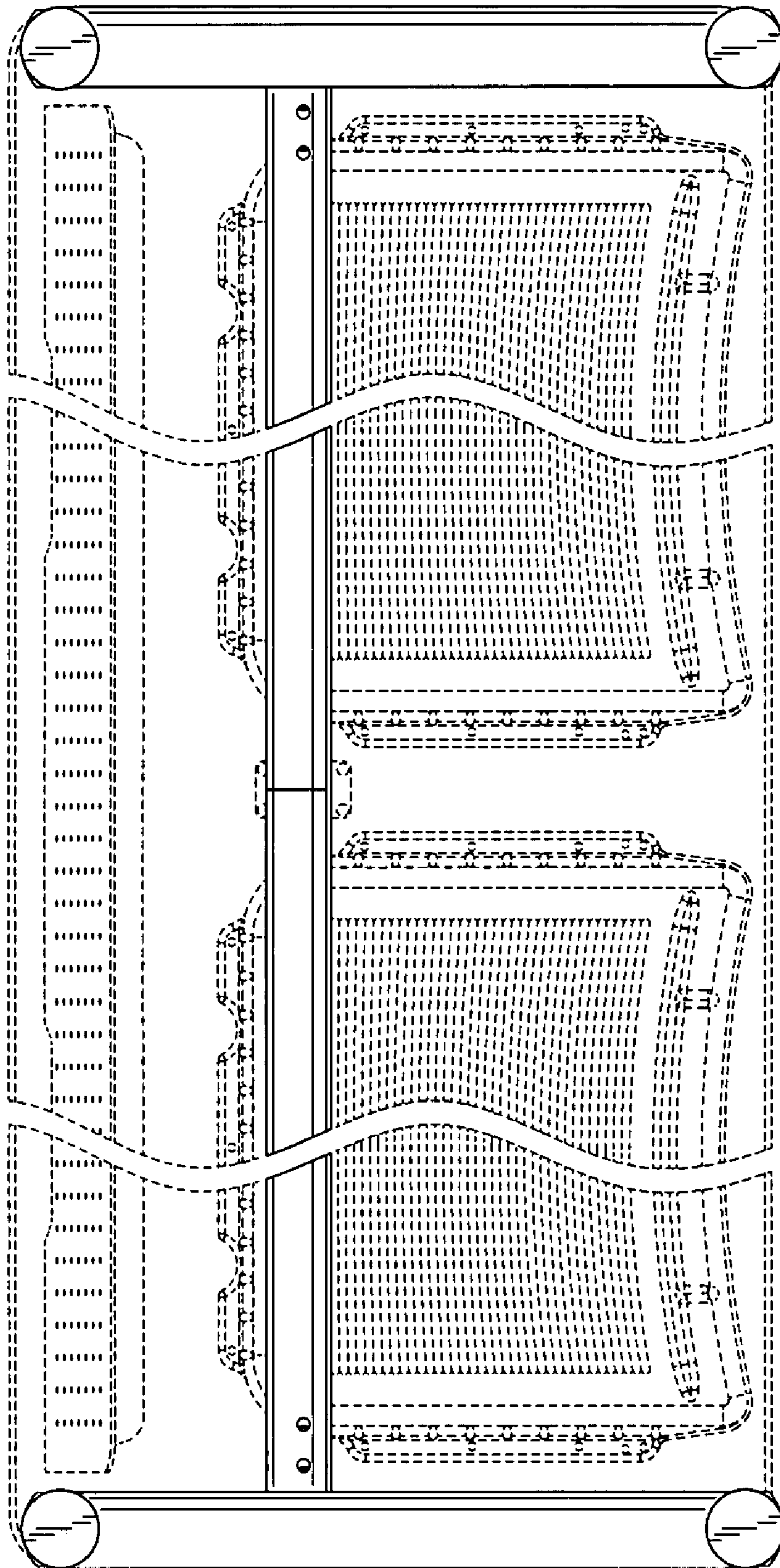


FIG. 4

