



US00D563696S

(12) **United States Design Patent**
Mehmen

(10) **Patent No.:** **US D563,696 S**
(45) **Date of Patent:** **** Mar. 11, 2008**

(54) **CABINET**

(75) Inventor: **Robert Mehmen**, Shell Rock, IA (US)

(73) Assignee: **Waterloo Industries, Inc.**, Waterloo, IA (US)

(**) Term: **14 Years**

(21) Appl. No.: **29/285,641**

(22) Filed: **Apr. 4, 2007**

(51) **LOC (8) Cl.** **06-04**

(52) **U.S. Cl.** **D6/479; D6/436**

(58) **Field of Classification Search** D6/407,
D6/436, 449, 446, 475-479, 511, 574; 312/249.6,
312/249.13, 313; 108/59, 60, 91, 106-107;
211/36, 134, 153, 187, 188, 207
See application file for complete search history.

(56) **References Cited**

U.S. PATENT DOCUMENTS

- D347,131 S * 5/1994 Wolff D6/479
- D365,225 S * 12/1995 Poortvliet et al. D6/446
- D384,227 S * 9/1997 Grosfillex D6/479

D446,053 S * 8/2001 Wohlford D6/479

* cited by examiner

Primary Examiner—Mimosa De

(74) *Attorney, Agent, or Firm*—Calfee, Halter & Griswold LLP

(57) **CLAIM**

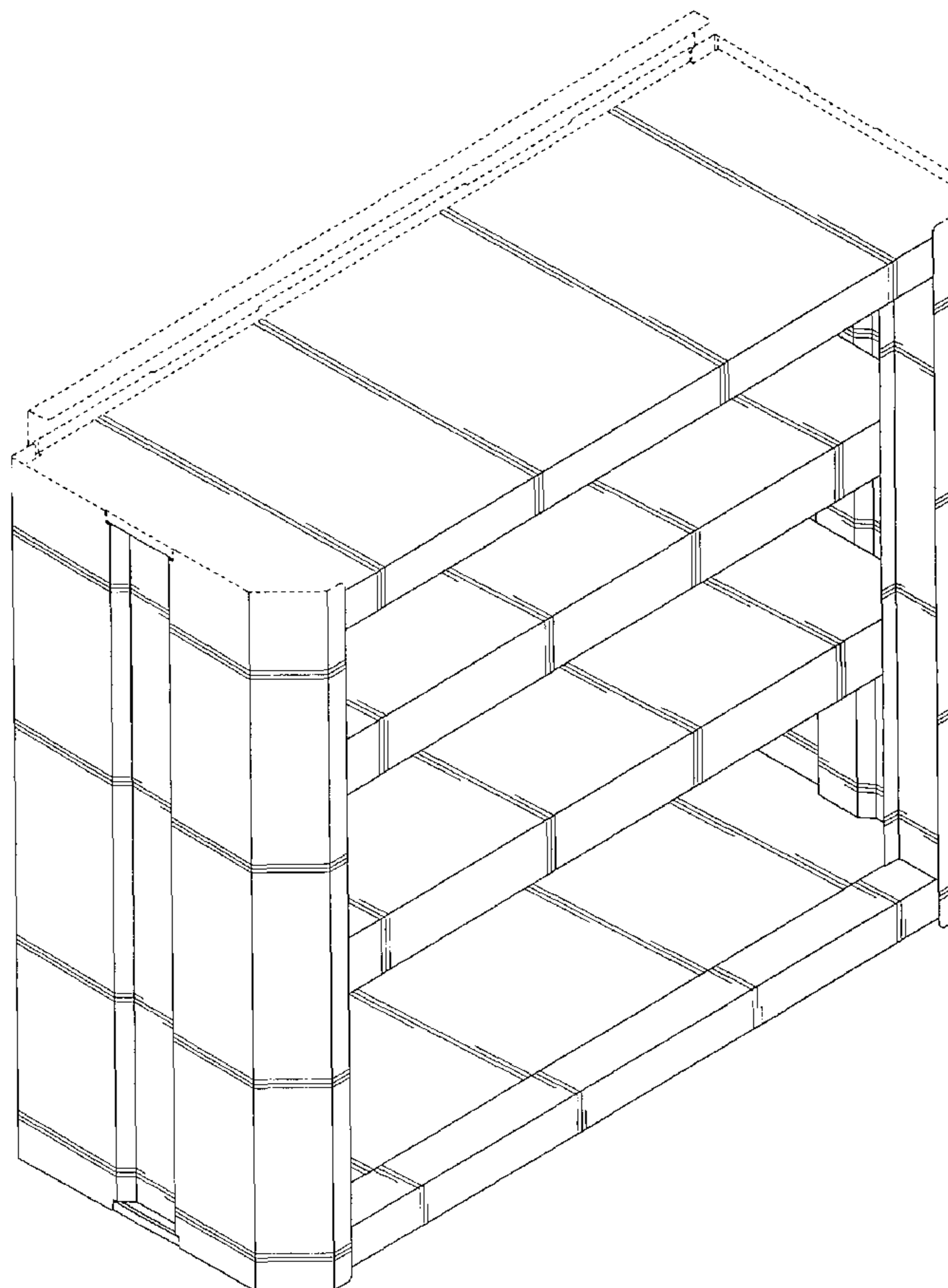
The ornamental design for a cabinet, as shown and described.

DESCRIPTION

FIG. 1 is a perspective view of a cabinet of the new design; FIG. 2 is a top plan view of the cabinet of FIG. 1; FIG. 3 is a front elevational view of the cabinet of FIG. 1; FIG. 4 is a rear elevational view of the cabinet of FIG. 1; FIG. 5 is a bottom plan view of the cabinet of FIG. 1; FIG. 6 is a right side elevational view of the cabinet of FIG. 1; and, FIG. 7 is a left side elevational view of the cabinet of FIG. 1.

The portions of the Figures shown in broken lines are not part of the claimed design and are for illustration only.

1 Claim, 4 Drawing Sheets



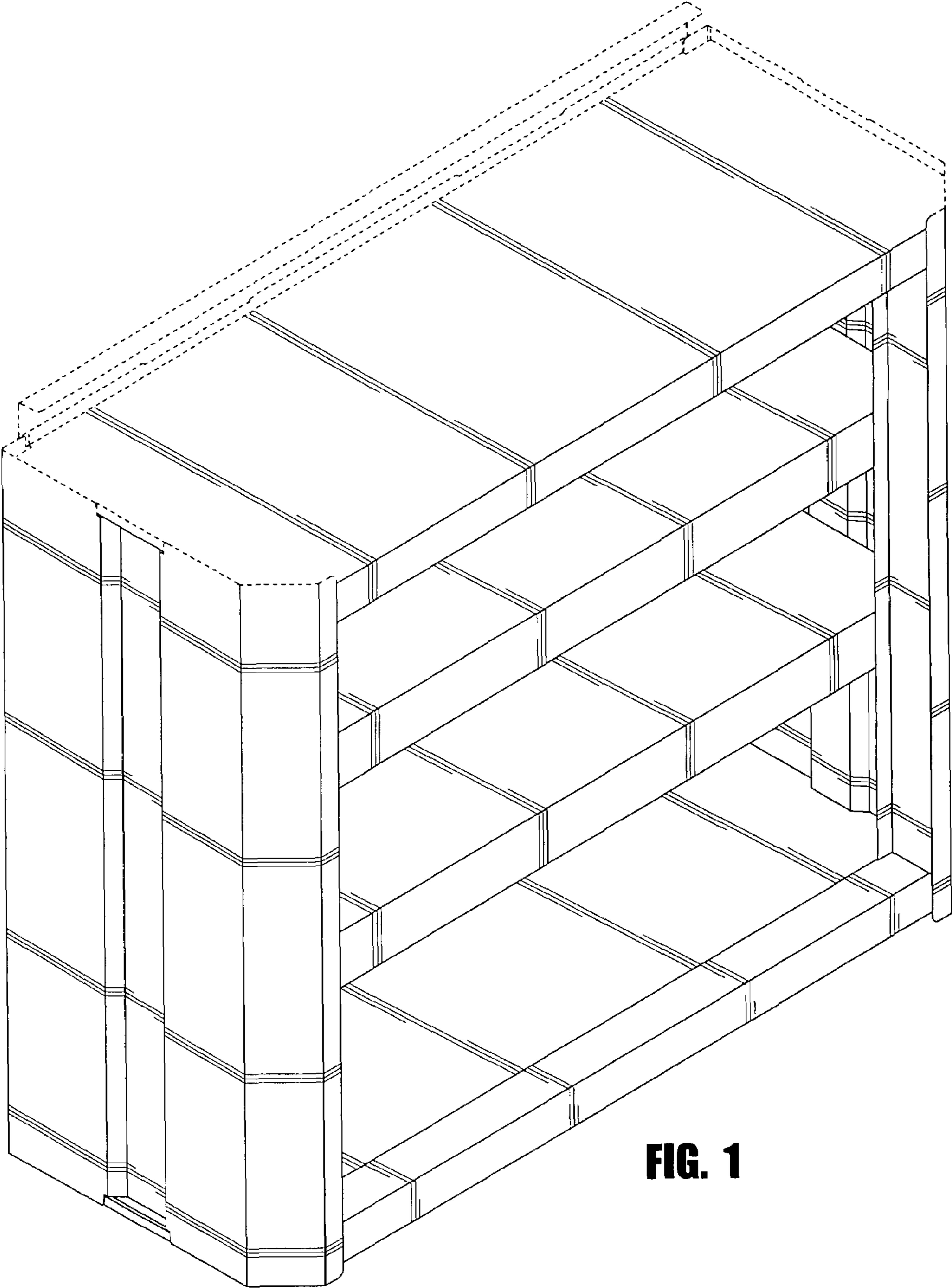


FIG. 1

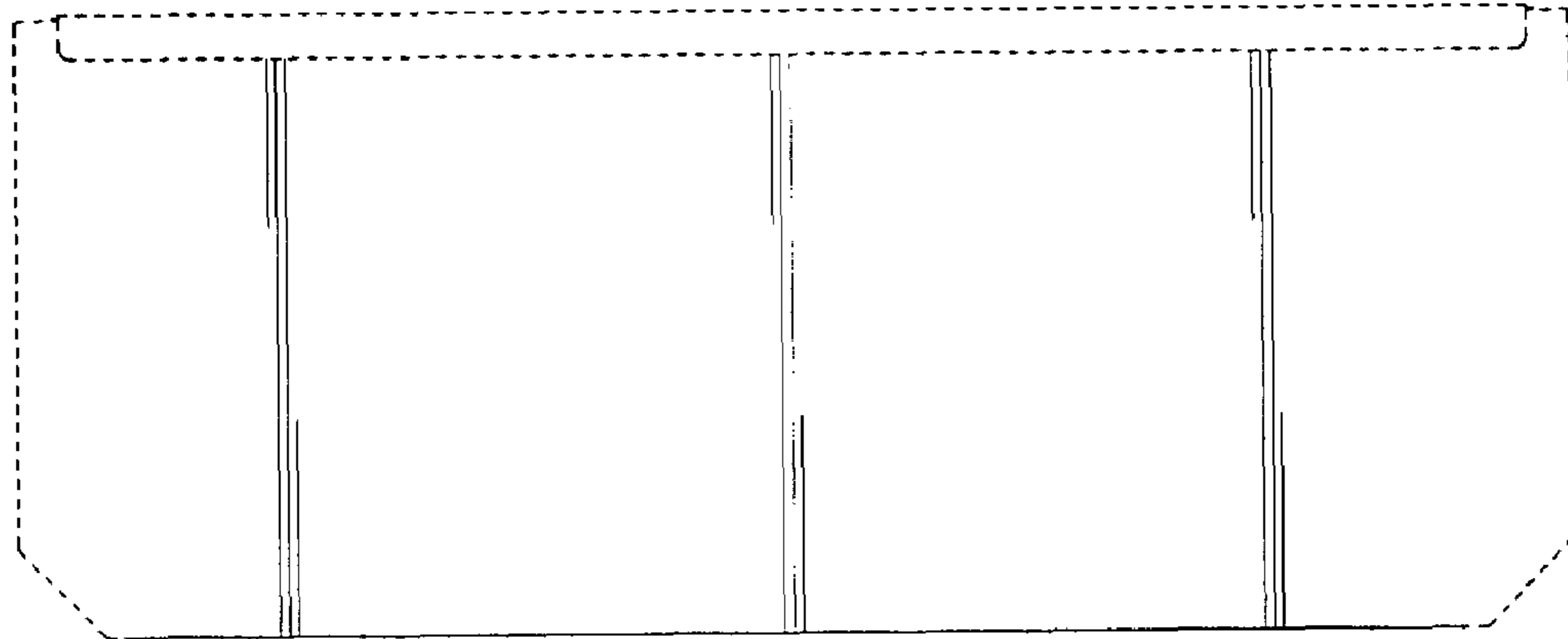


FIG. 2

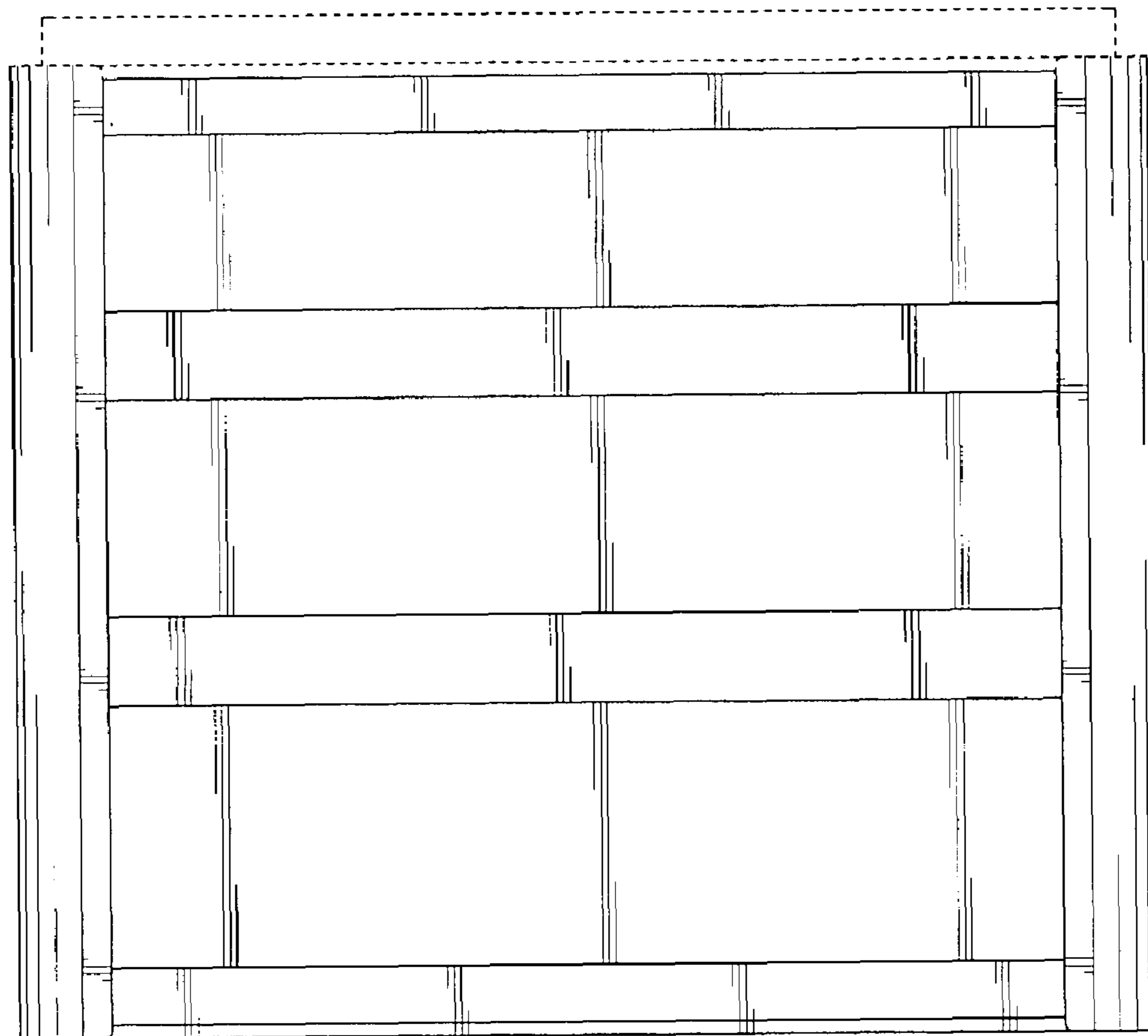


FIG. 3

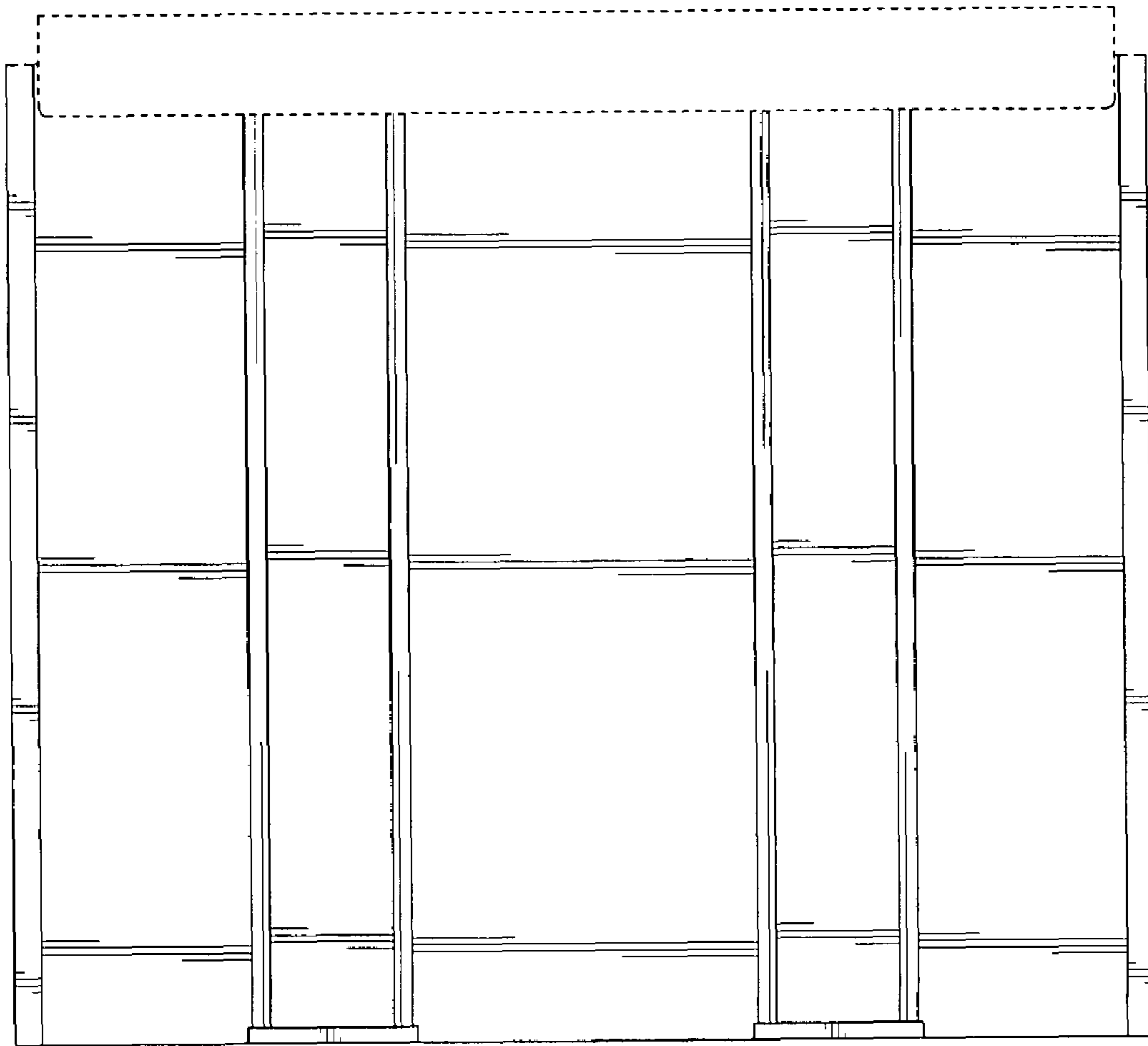


FIG. 4

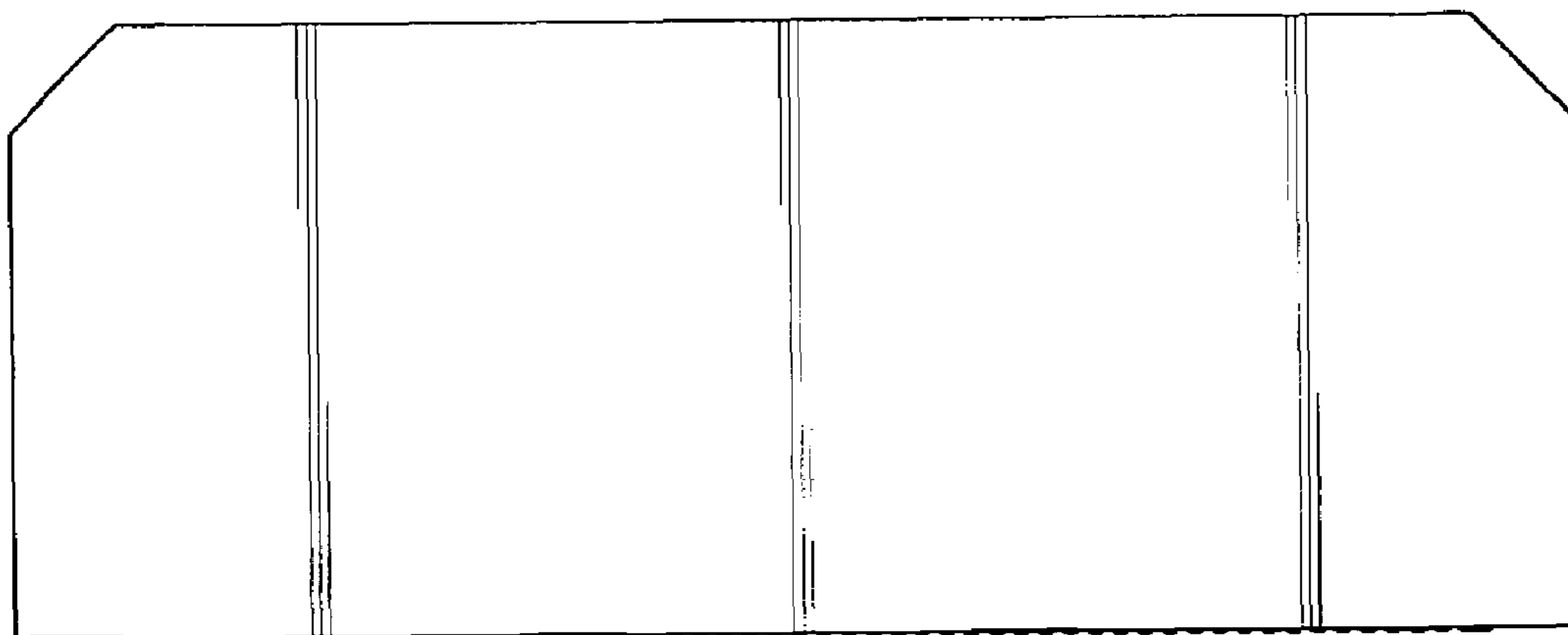


FIG. 5

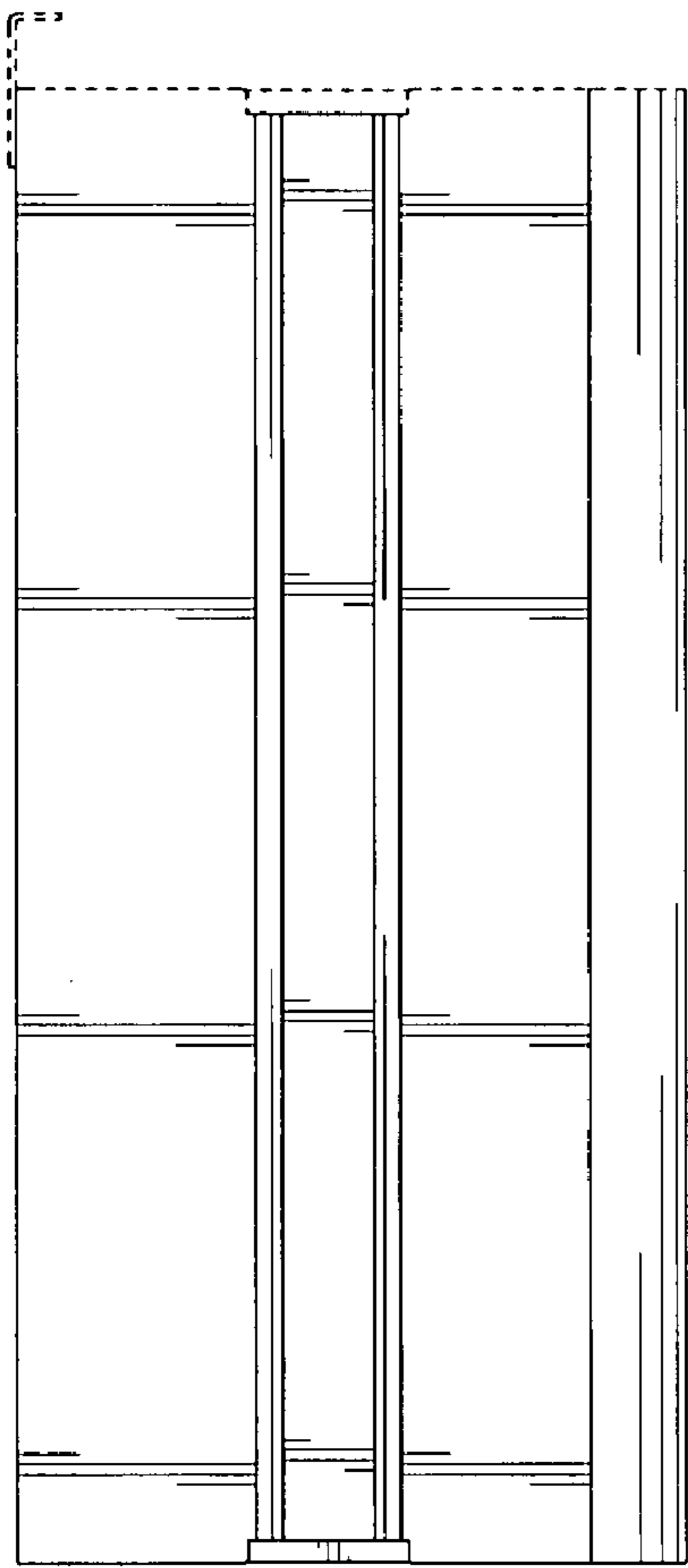


FIG. 6

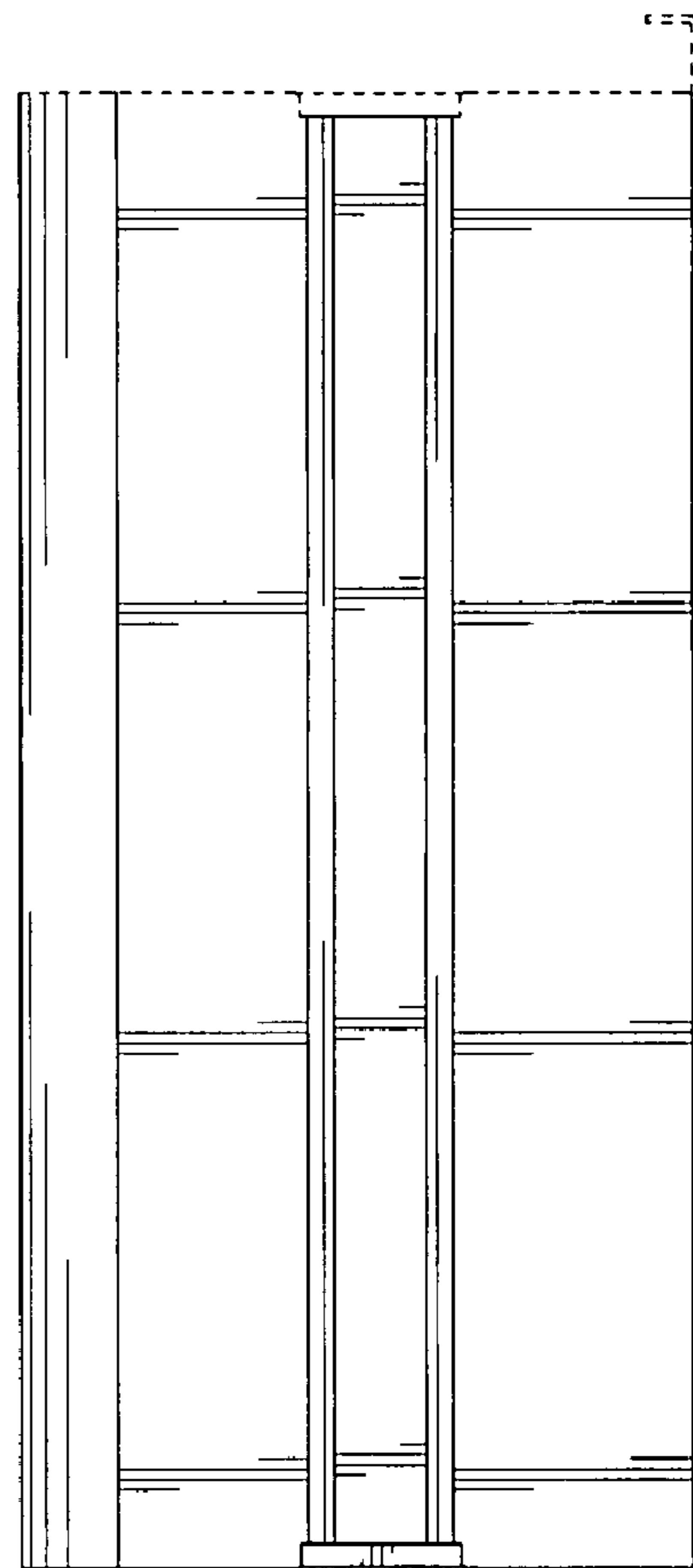


FIG. 7