

US00D563695S

(12) **United States Design Patent**  
**Yamaguchi**

(10) **Patent No.:** **US D563,695 S**  
(45) **Date of Patent:** **\*\* Mar. 11, 2008**

(54) **STAND FOR TELEVISION SET**  
(75) Inventor: **Takahiro Yamaguchi**, Chiyoda-Ku (JP)  
(73) Assignee: **Mitsubishi Electric Corporation**,  
Tokyo (JP)

(\*\*) Term: **14 Years**  
(21) Appl. No.: **29/287,296**  
(22) Filed: **Jul. 20, 2007**

(30) **Foreign Application Priority Data**  
Apr. 11, 2007 (JP) ..... 2007-009673

(51) **LOC (8) Cl.** ..... **06-04**  
(52) **U.S. Cl.** ..... **D6/477**  
(58) **Field of Classification Search** ..... D6/477-479,  
D6/460-461, 468, 474, 407; D14/239, 129,  
D14/126; 108/59, 96, 91-92; 211/40, 41.12,  
211/42, 49.1, 50, 85.2; 312/9.1, 9.2, 46,  
312/9.64, 9.8, 7.2  
See application file for complete search history.

(56) **References Cited**  
U.S. PATENT DOCUMENTS  
D495,163 S \* 8/2004 Weatherly ..... D6/479

D501,740 S \* 2/2005 Sexton ..... D6/477  
D507,900 S \* 8/2005 Sexton ..... D6/474  
D537,656 S \* 3/2007 Stenhouse et al. .... D6/474  
7,195,213 B2 \* 3/2007 Weatherly ..... 248/125.1  
D540,067 S \* 4/2007 Chung ..... D6/474

\* cited by examiner

*Primary Examiner*—Elizabeth A. Albert  
*Assistant Examiner*—Kelley A. Donnelly  
(74) *Attorney, Agent, or Firm*—Sughrue Mion, PLLC

(57) **CLAIM**

The ornamental design for a stand for television set, as shown and described.

**DESCRIPTION**

FIG. 1 is a front, top and right side perspective view of an stand for television set, showing our new design;  
FIG. 2 is a front elevational view thereof;  
FIG. 3 is a rear elevational view thereof;  
FIG. 4 is a left side elevational view thereof;  
FIG. 5 is a right side elevational view thereof;  
FIG. 6 is a top plan view thereof; and,  
FIG. 7 is a bottom plan view thereof.

**1 Claim, 3 Drawing Sheets**

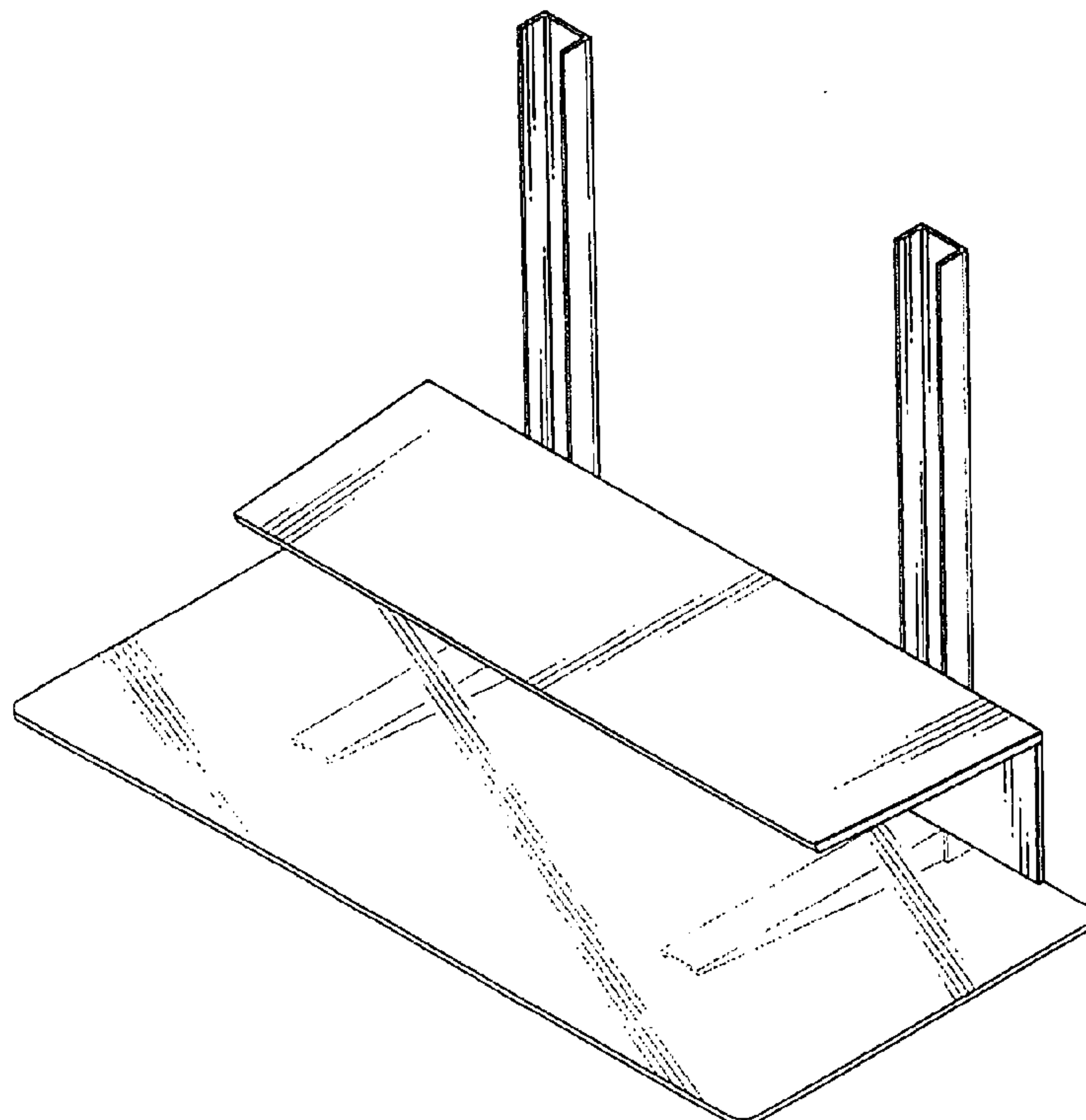


FIG. 1

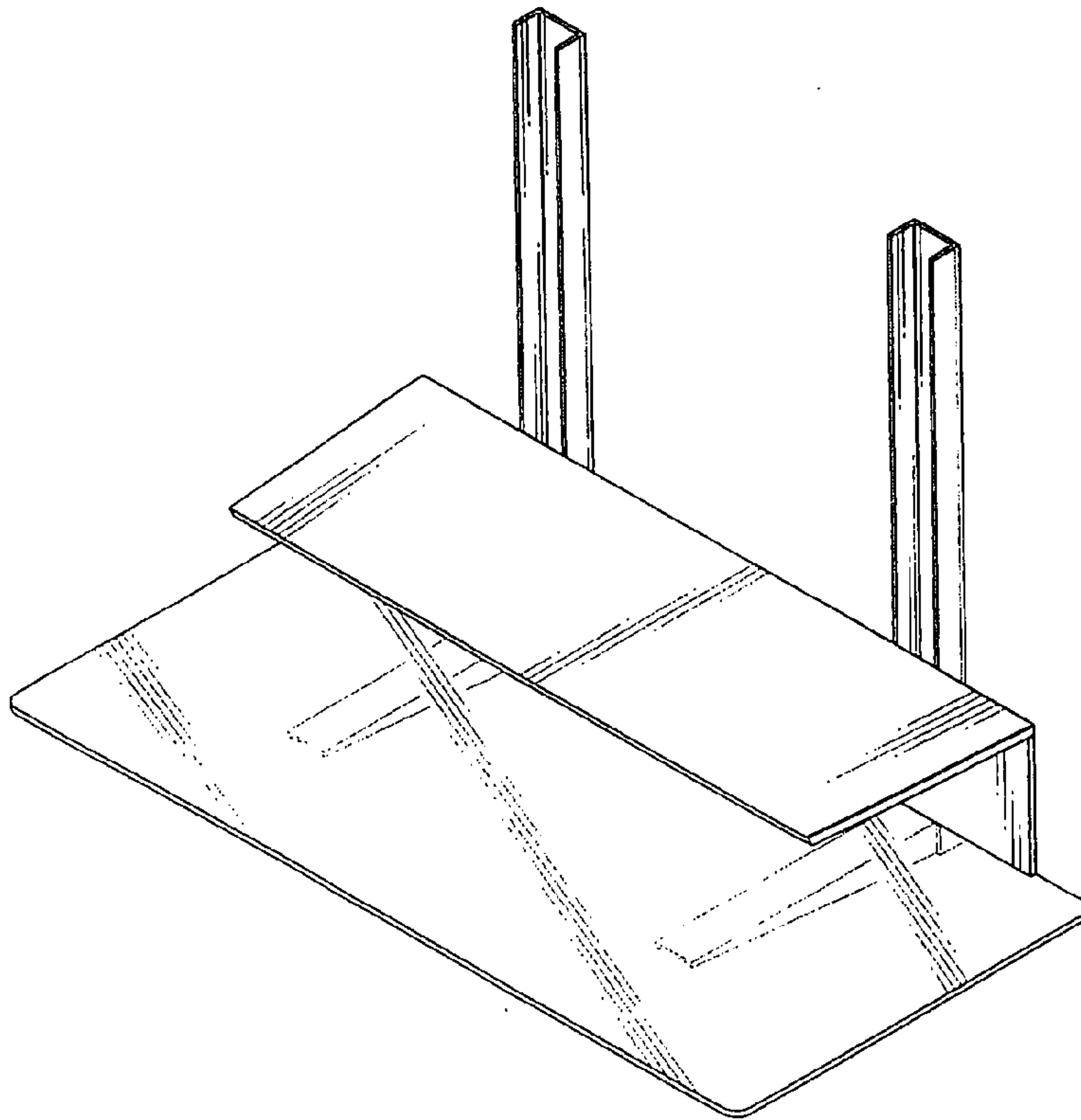


FIG. 2

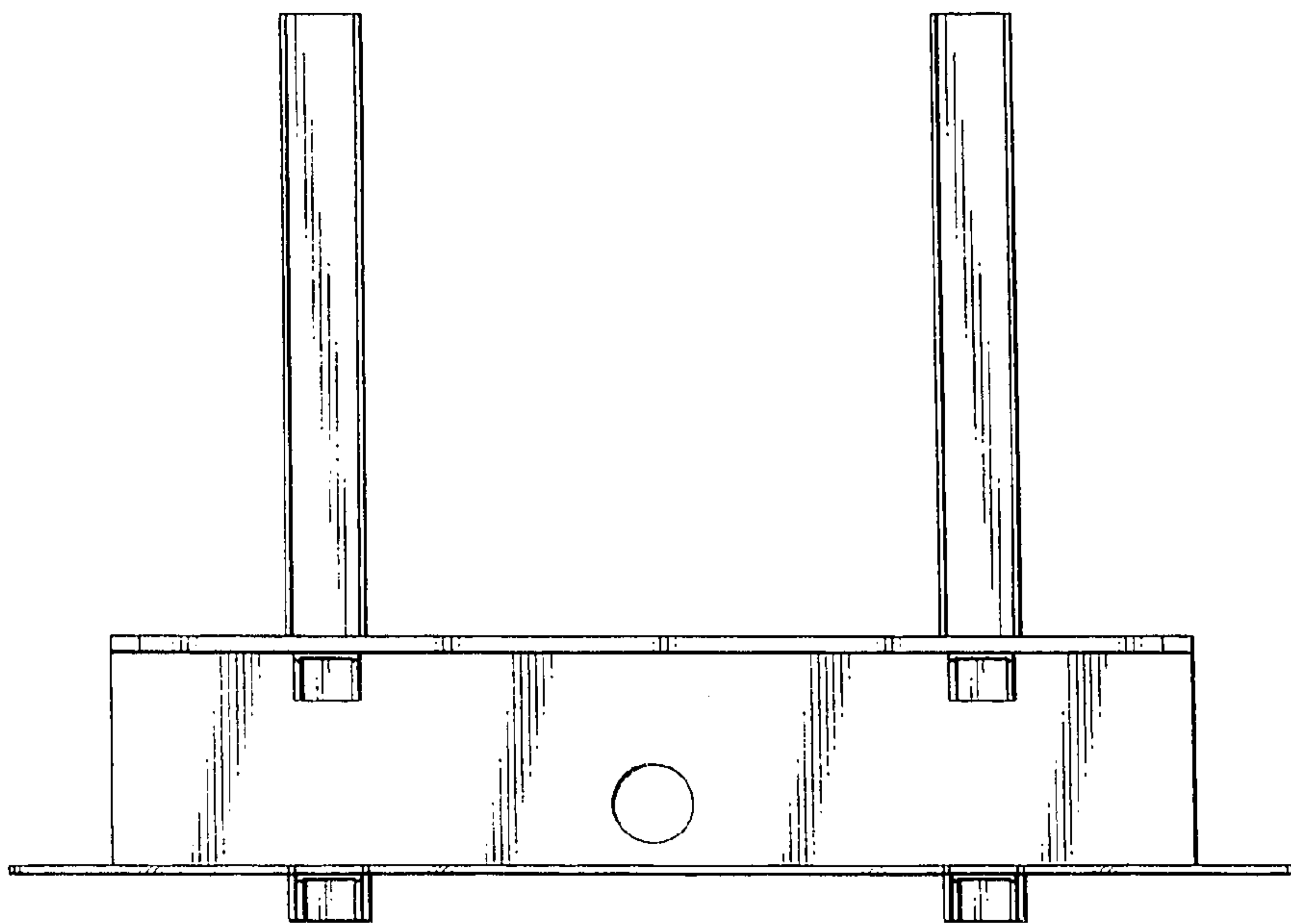


FIG.3

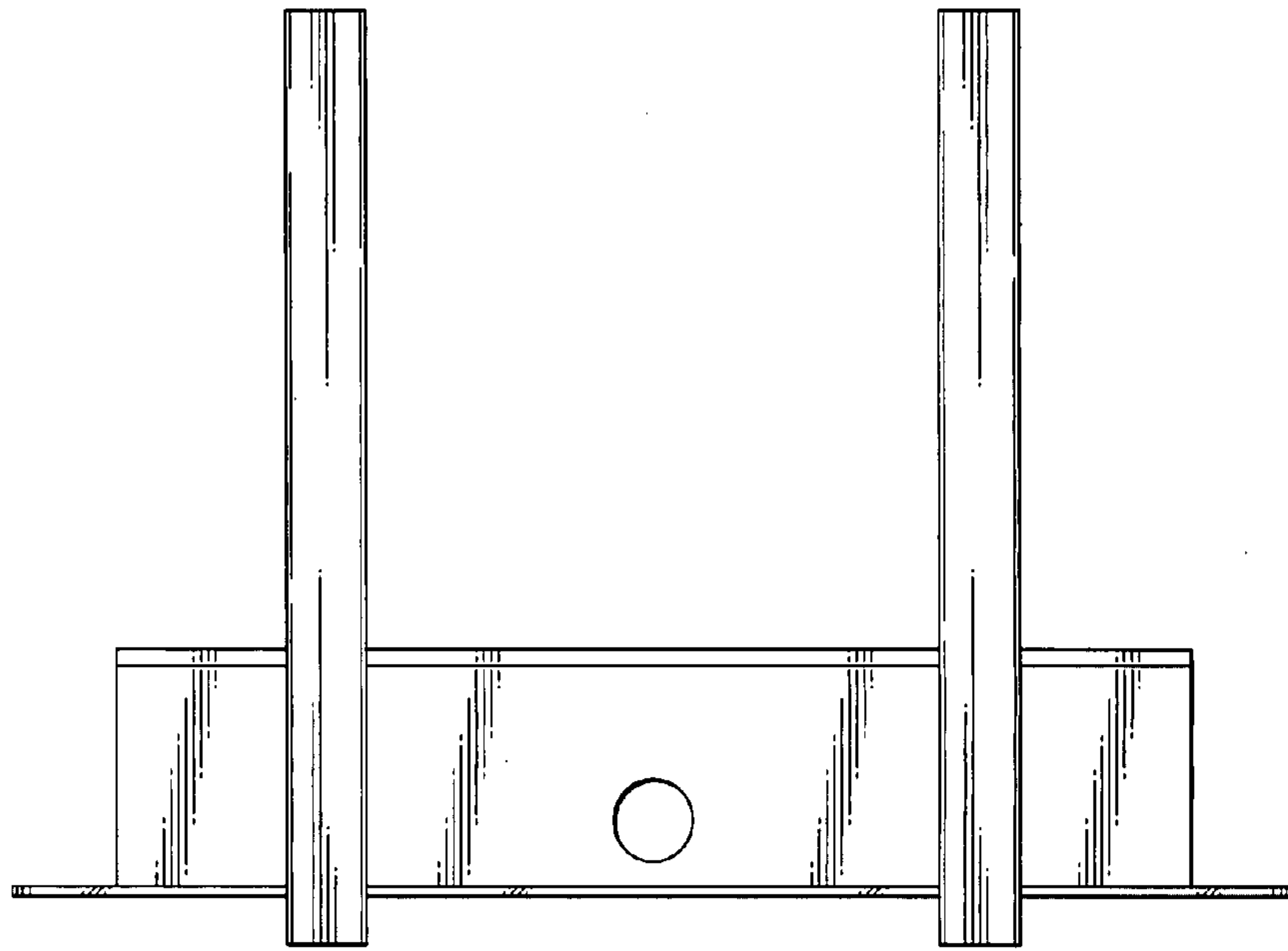


FIG.4

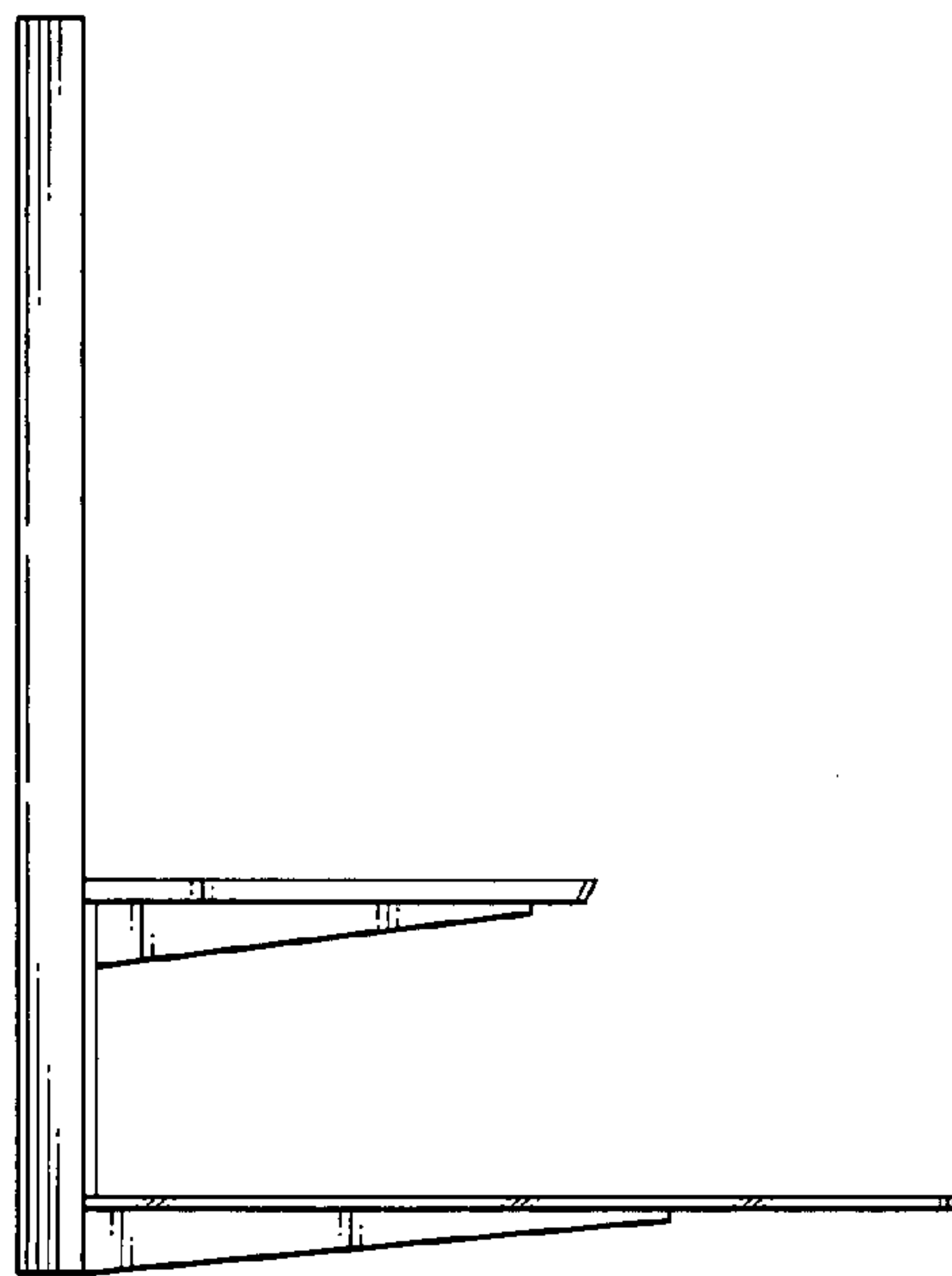


FIG.5

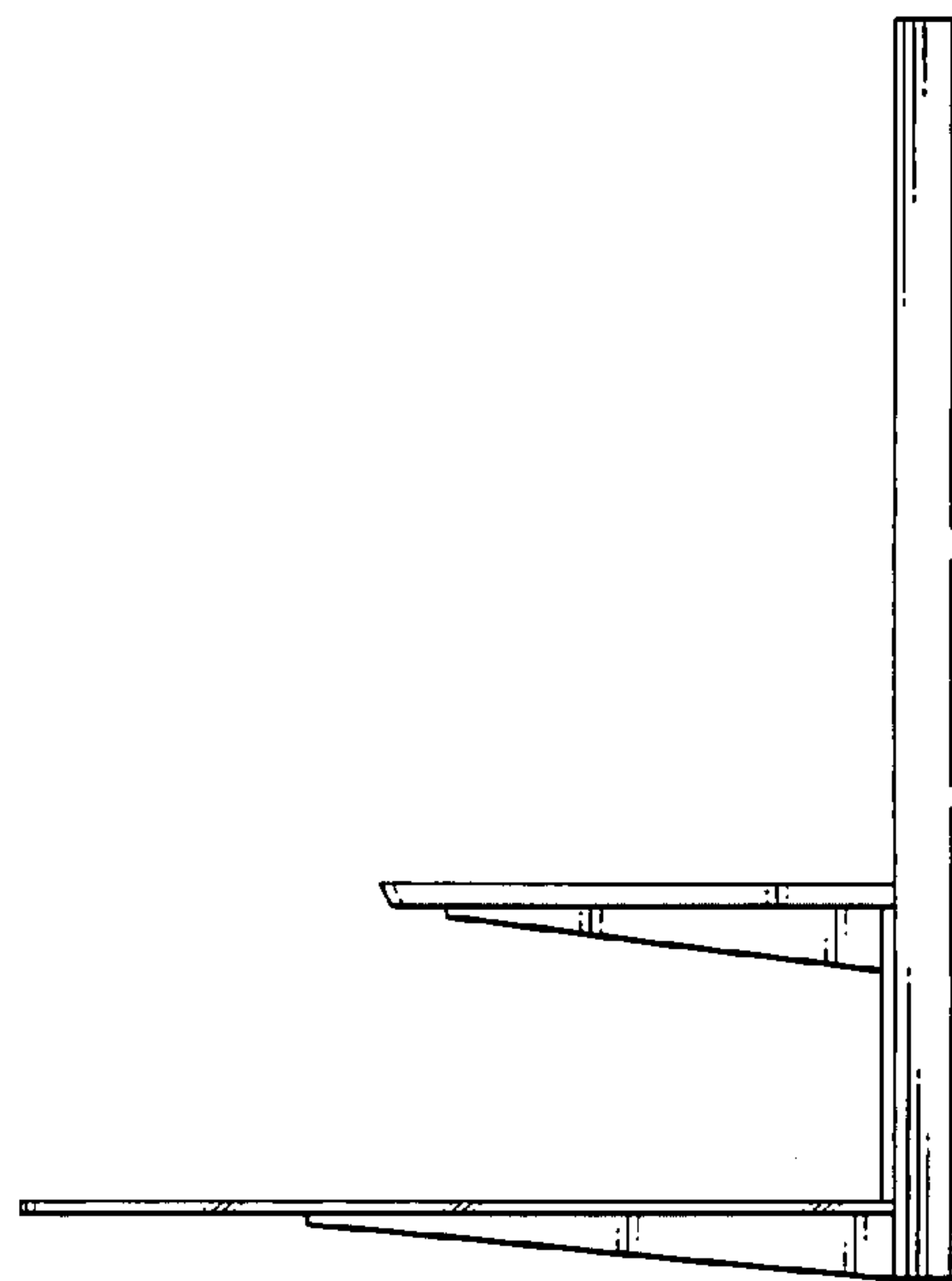


FIG.6

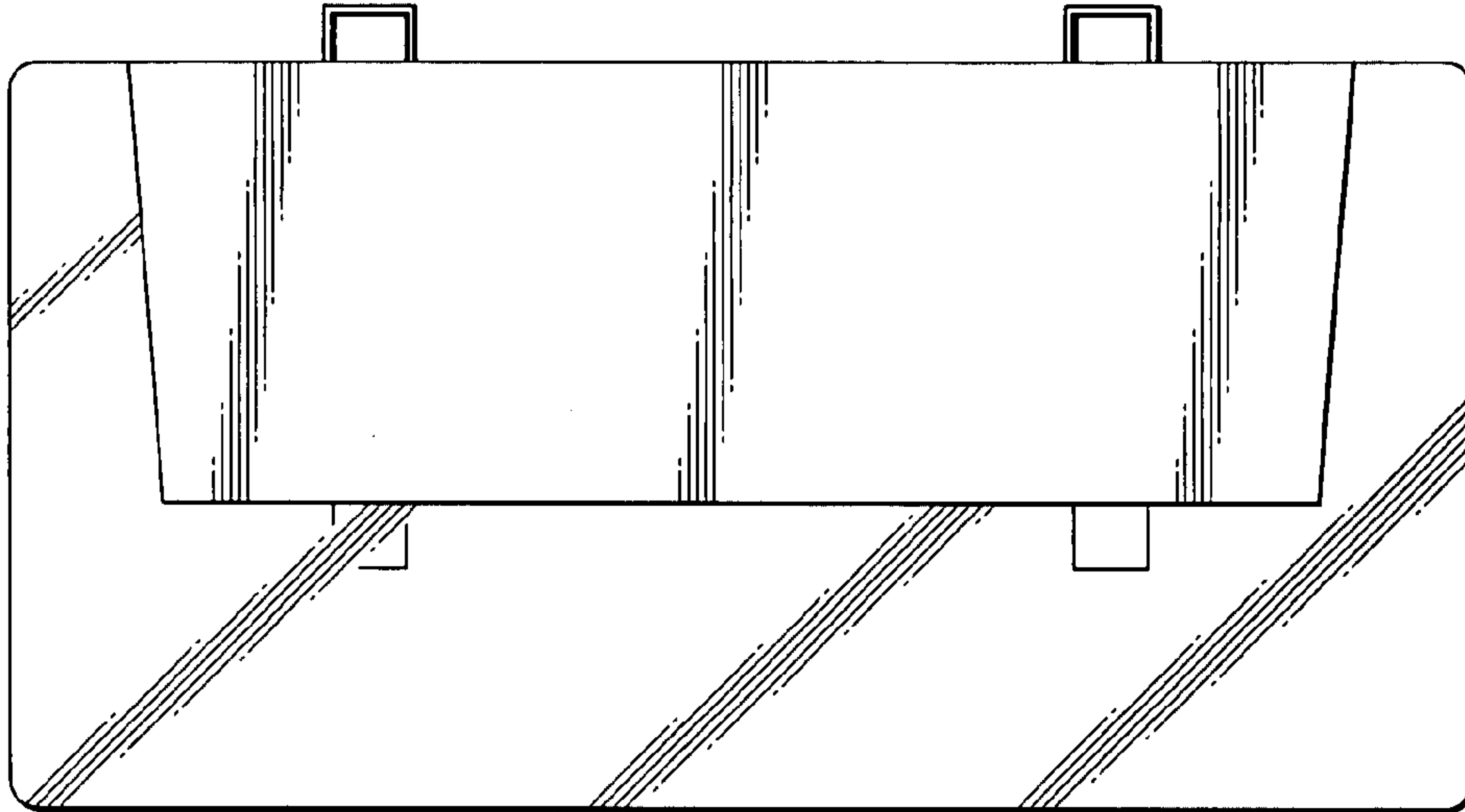


FIG.7

