



US00D563694S

(12) **United States Design Patent**
Mitchell

(10) **Patent No.:** **US D563,694 S**

(45) **Date of Patent:** **** Mar. 11, 2008**

(54) **JEWELRY HOLDER**

(76) **Inventor:** **Marietta Mitchell**, 7405 Castle Rock Dr., Clinton, MD (US) 20735

(**) **Term:** **14 Years**

(21) **Appl. No.:** **29/240,243**

(22) **Filed:** **Oct. 12, 2005**

(51) **LOC (8) Cl.** **06-02**

(52) **U.S. Cl.** **D6/467**

(58) **Field of Classification Search** D6/467,
D6/468, 464; D24/230; 312/321.5; 202/6.1;
211/85.1

See application file for complete search history.

(56) **References Cited**

U.S. PATENT DOCUMENTS

D248,801	S	*	8/1978	Tafoya	D6/468
D336,574	S	*	6/1993	Rhodes	D6/469
5,568,872	A	*	10/1996	Hinnant, Sr.	211/85.1
D395,768	S	*	7/1998	Greiner	D6/436
D398,789	S	*	9/1998	Warshawsky	D6/464
6,158,578	A	*	12/2000	Greiner	206/6.1
6,425,490	B1	*	7/2002	Ta	211/116
D461,554	S	*	8/2002	Lafond et al.	D24/230
D467,094	S	*	12/2002	Bodzioch	D6/410

D496,191	S	*	9/2004	Johnson	D6/465
D510,209	S	*	10/2005	Martinelli	D6/468
7,052,098	B1	*	5/2006	Greiner	312/321.5
D536,905	S	*	2/2007	Raile	D6/467

* cited by examiner

Primary Examiner—Robert M. Spear

Assistant Examiner—George D Kirschbaum

(74) *Attorney, Agent, or Firm*—McNeely Bodendorf LLP;
Kevin J. McNeely

(57) **CLAIM**

The ornamental design for a jewelry holder, as shown and described.

DESCRIPTION

FIG. 1 is a front perspective view of a jewelry holder, showing the new design;

FIG. 2 is a top view of the jewelry holder;

FIG. 3 is a bottom view of the jewelry holder;

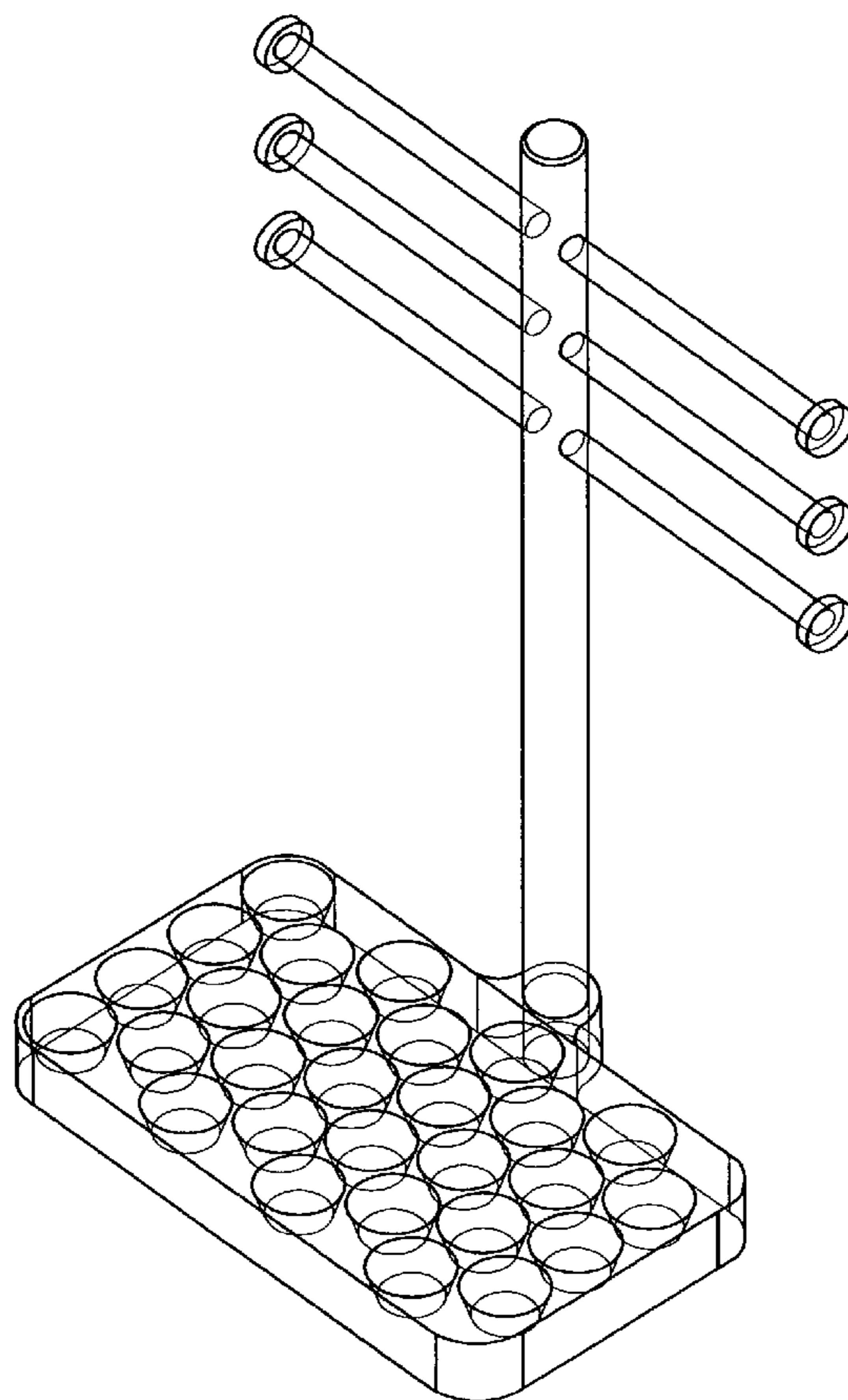
FIG. 4 is a front view of the jewelry holder;

FIG. 5 is a rear view of the jewelry holder;

FIG. 6 is a left side view of the jewelry holder; and,

FIG. 7 is a right side view of the jewelry holder.

1 Claim, 5 Drawing Sheets



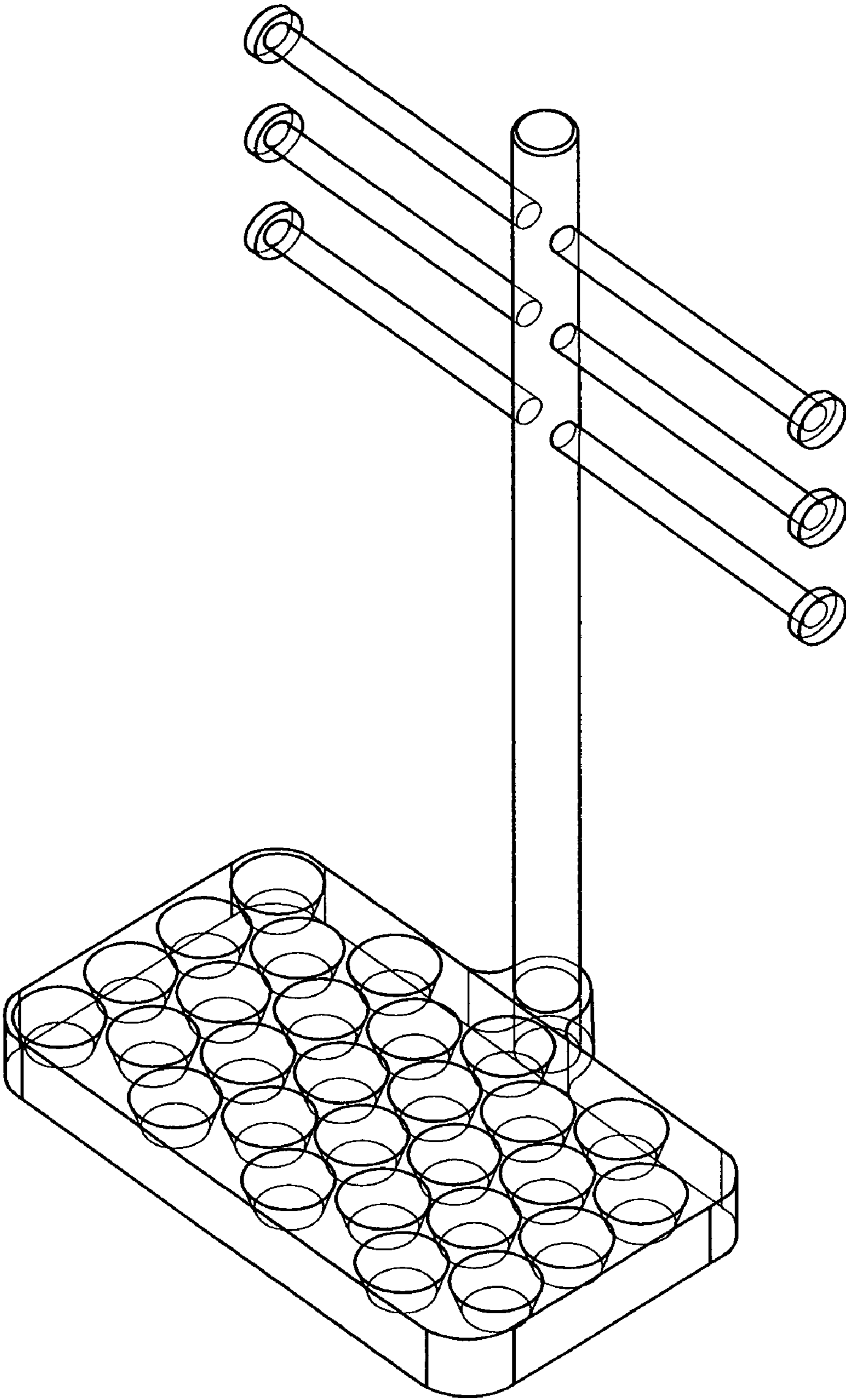


FIG. 1

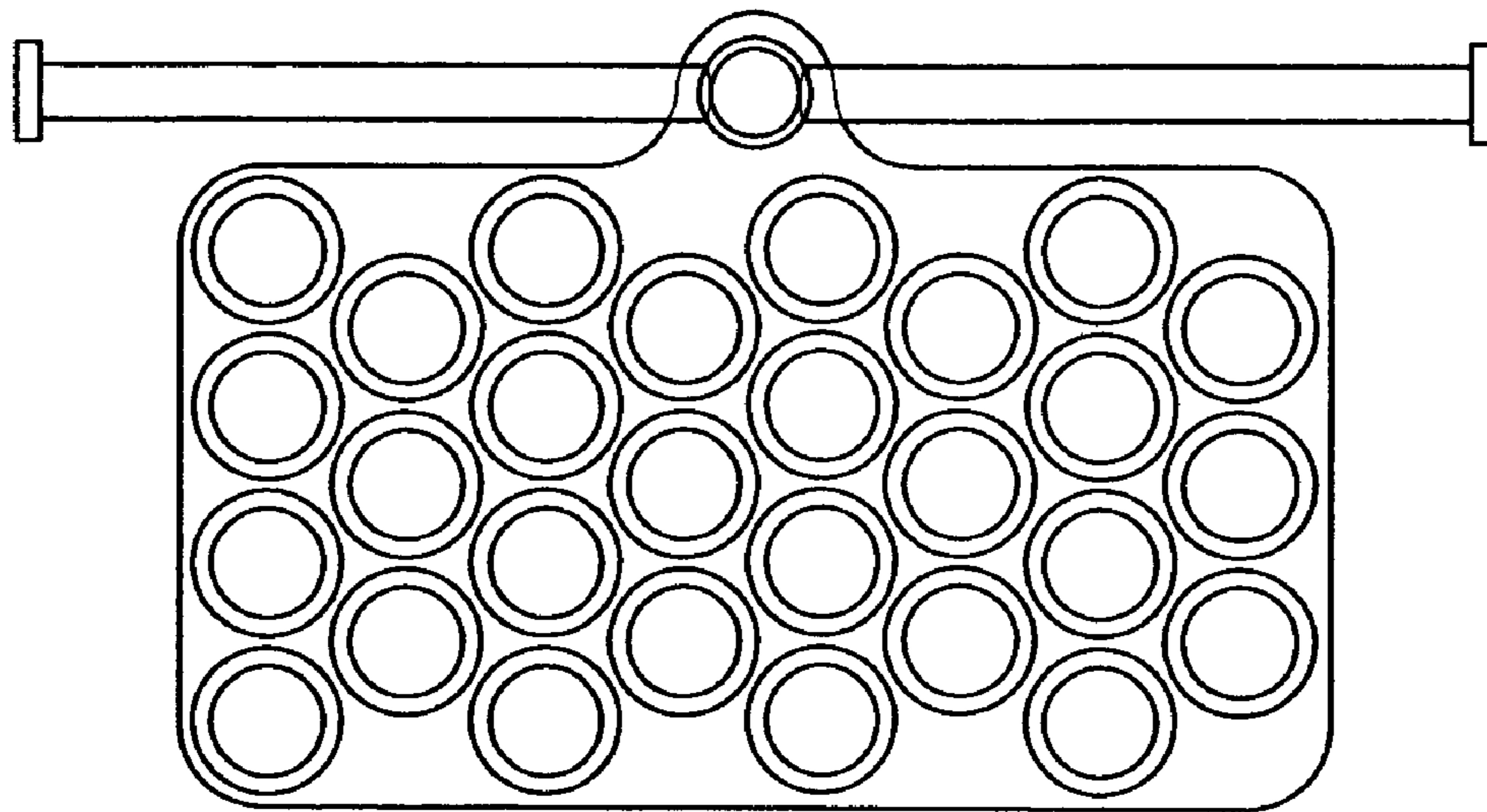


FIG. 2

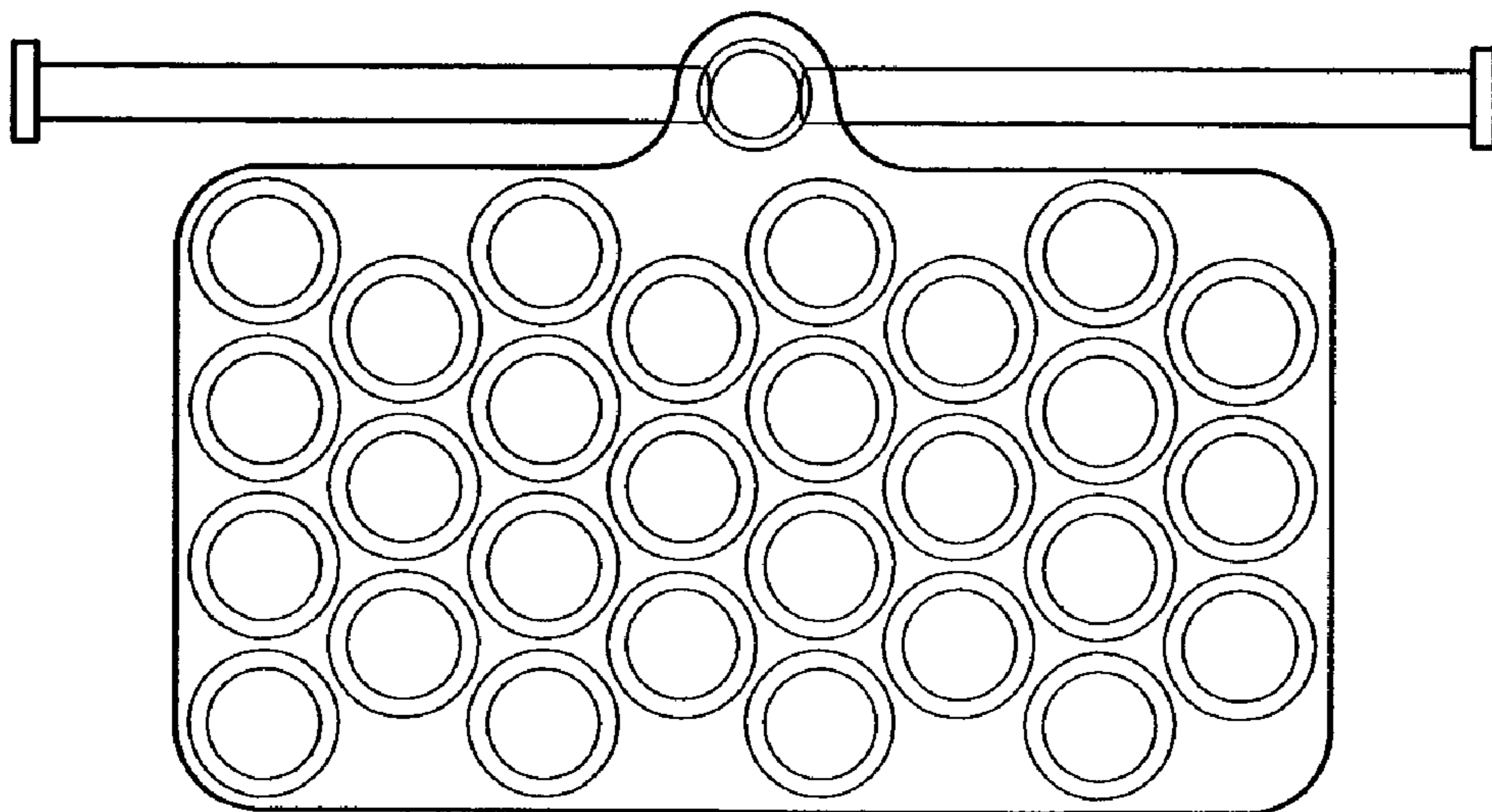


FIG. 3

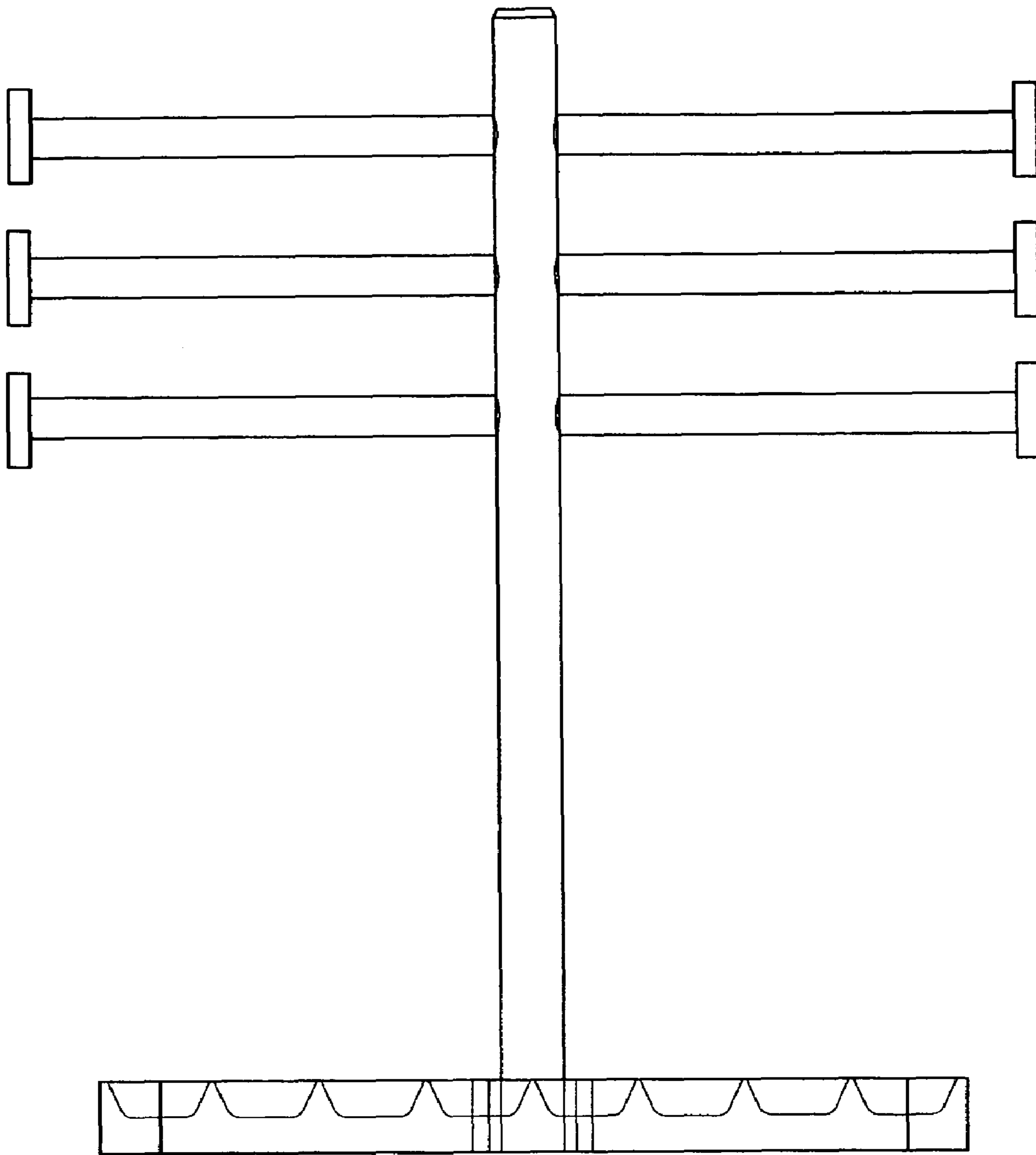


FIG. 4

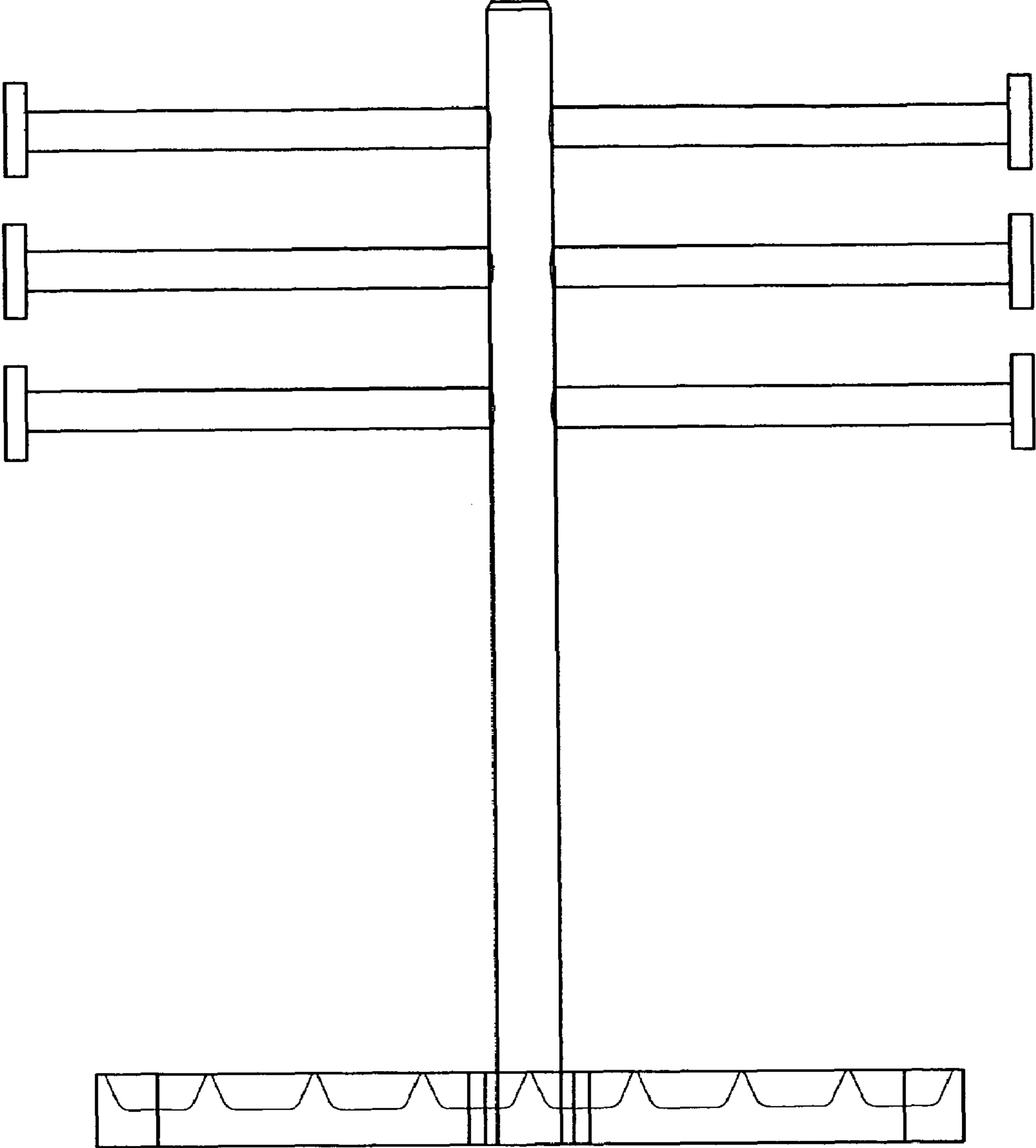


FIG. 5

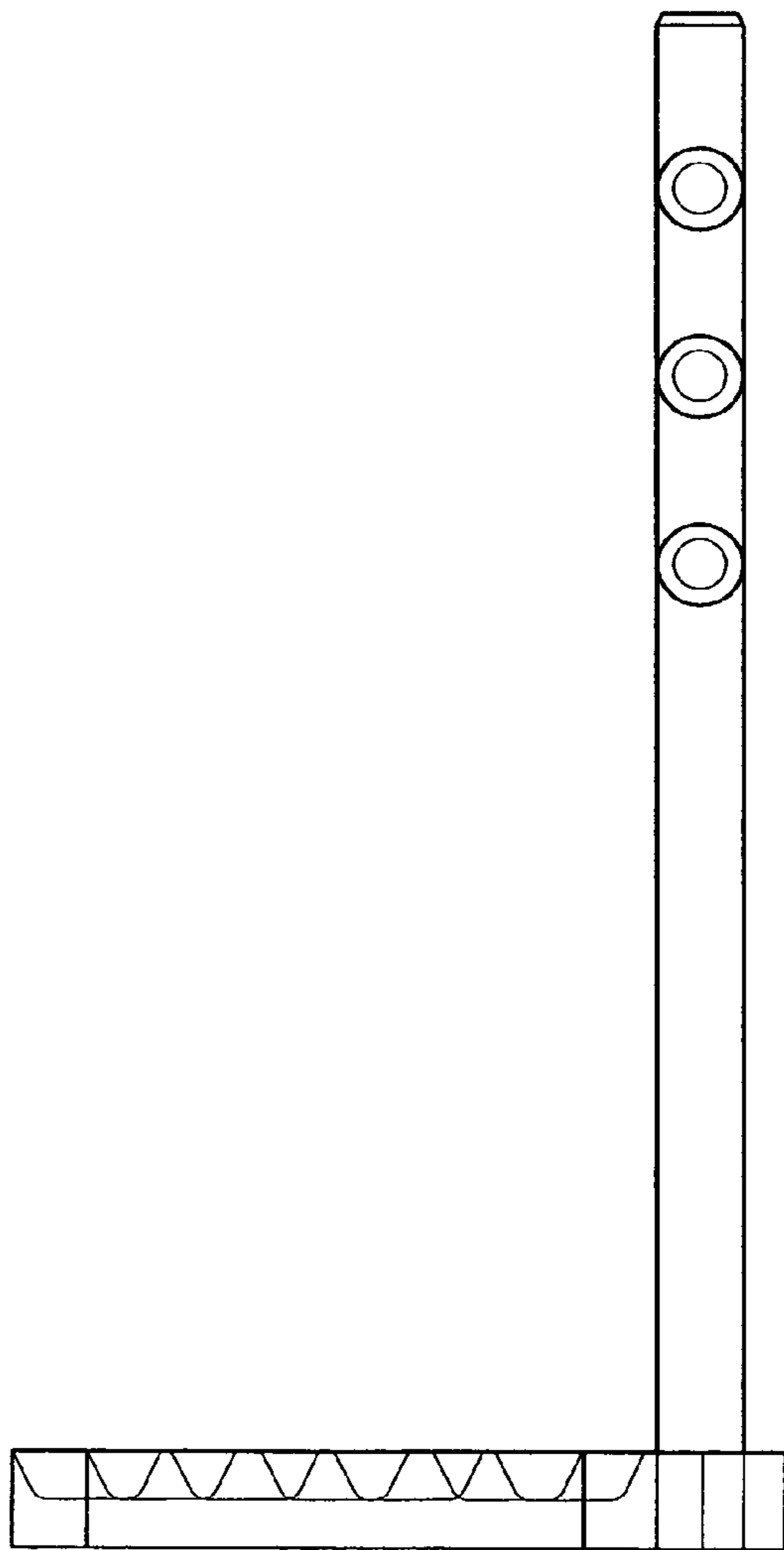


FIG. 6

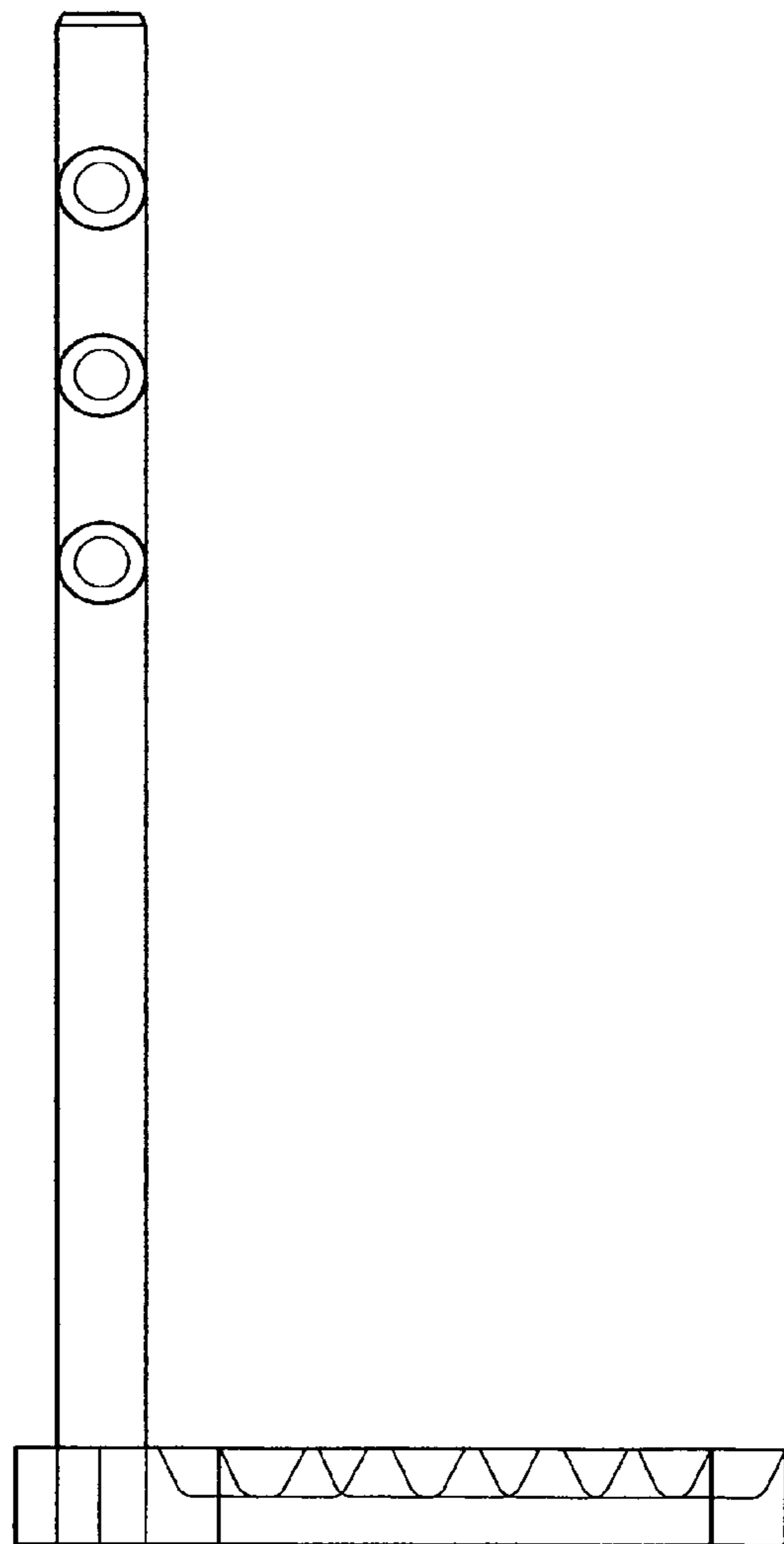


FIG. 7