



US00D563693S

(12) **United States Design Patent**  
**Calleja**

(10) **Patent No.:** **US D563,693 S**  
(45) **Date of Patent:** **\*\* Mar. 11, 2008**

(54) **TILTABLE SWIVEL STAND**

(76) **Inventor:** **Michael J. Calleja**, 110 San Benito Rd., Brisbane, CA (US) 94005

(\*\*) **Term:** **14 Years**

(21) **Appl. No.:** **29/265,379**

(22) **Filed:** **Aug. 30, 2006**

(51) **LOC (8) Cl.** ..... **06-04**

(52) **U.S. Cl.** ..... **D6/466**

(58) **Field of Classification Search** ..... D6/466,  
D6/449, 553, 491, 512, 462, 475; D8/354,  
D8/349, 380, 387; D14/217, 224, 229, 253,  
D14/251, 299, 146, 433, 447; 248/27.1,  
248/121, 917-924, 346.01; 379/454; D16/240;  
D18/4.4-4.6

See application file for complete search history.

(56) **References Cited**

**U.S. PATENT DOCUMENTS**

- D244,238 S \* 5/1977 Hill et al. .... D6/466
- D244,857 S \* 6/1977 Hayes ..... D24/166
- D269,945 S \* 8/1983 Carney ..... D8/355
- D288,154 S \* 2/1987 Hobgood ..... D6/466
- D291,316 S \* 8/1987 Johnston et al. .... D14/451
- D323,085 S \* 1/1992 Konkel ..... D6/466
- D332,789 S \* 1/1993 Rak ..... D14/251
- D373,034 S \* 8/1996 Menaged ..... D6/466

- D395,892 S \* 7/1998 Solomon ..... D14/224
- D409,018 S 5/1999 Deuschle
- D454,136 S 3/2002 Deuschle
- D456,415 S 4/2002 Deuschle
- D530,333 S \* 10/2006 Richter ..... D14/447
- D545,826 S \* 7/2007 Richter ..... D14/447
- 7,246,781 B2 \* 7/2007 Nam ..... 248/516

\* cited by examiner

*Primary Examiner*—Caron D. Veynar

*Assistant Examiner*—Abraham Bahta

(74) *Attorney, Agent, or Firm*—Robert Charles Hill

(57) **CLAIM**

The ornamental design for tiltable swivel stand, as shown and described.

**DESCRIPTION**

FIG. 1 is an orthographic projection of the tiltable swivel stand showing my new design.

FIG. 2 is a top view thereof.

FIG. 3 is a bottom view thereof.

FIG. 4 is a front elevational view thereof.

FIG. 5 is a back elevational view thereof.

FIG. 6 is a left side view thereof; and,

FIG. 7 is a right side view thereof.

**1 Claim, 4 Drawing Sheets**

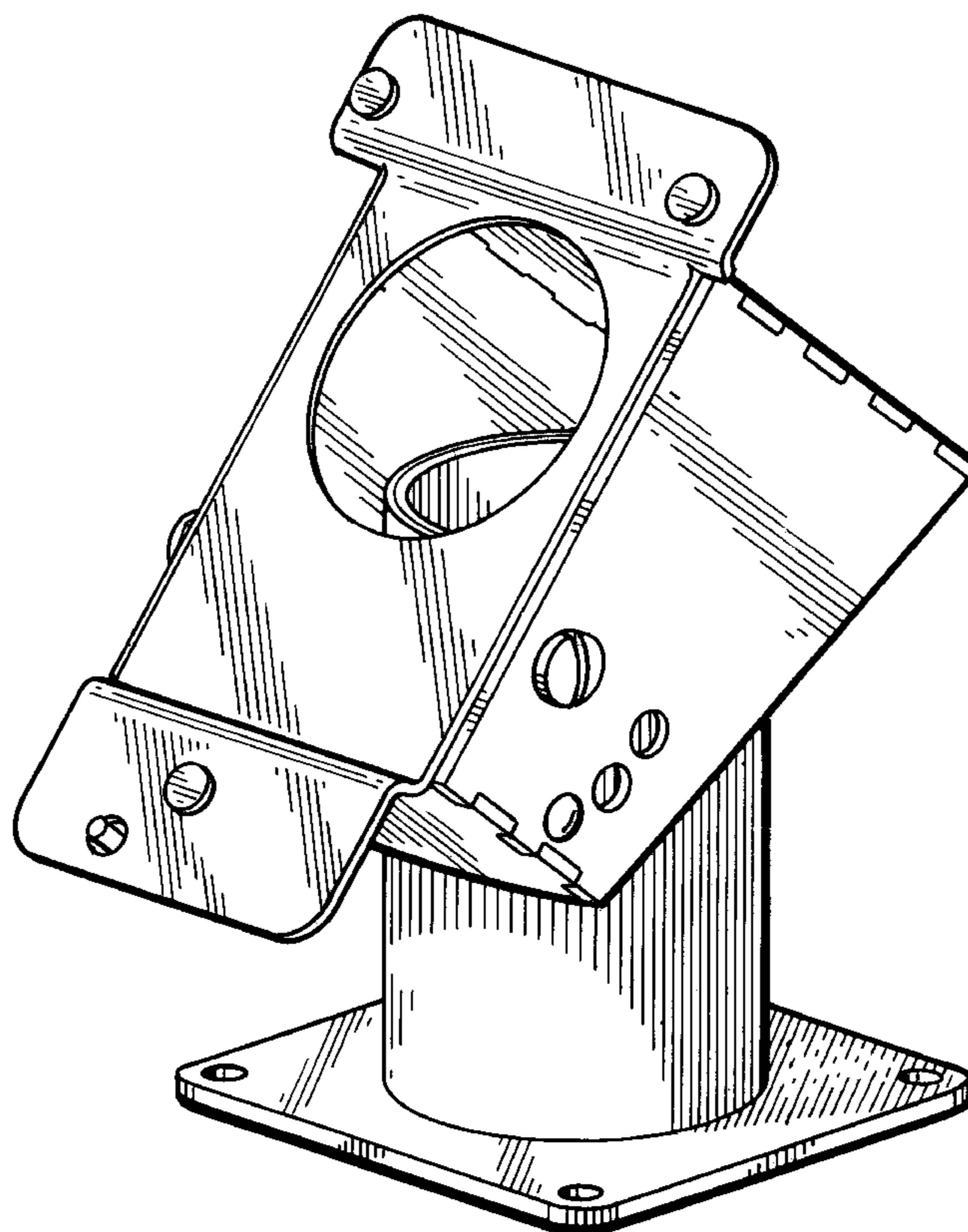
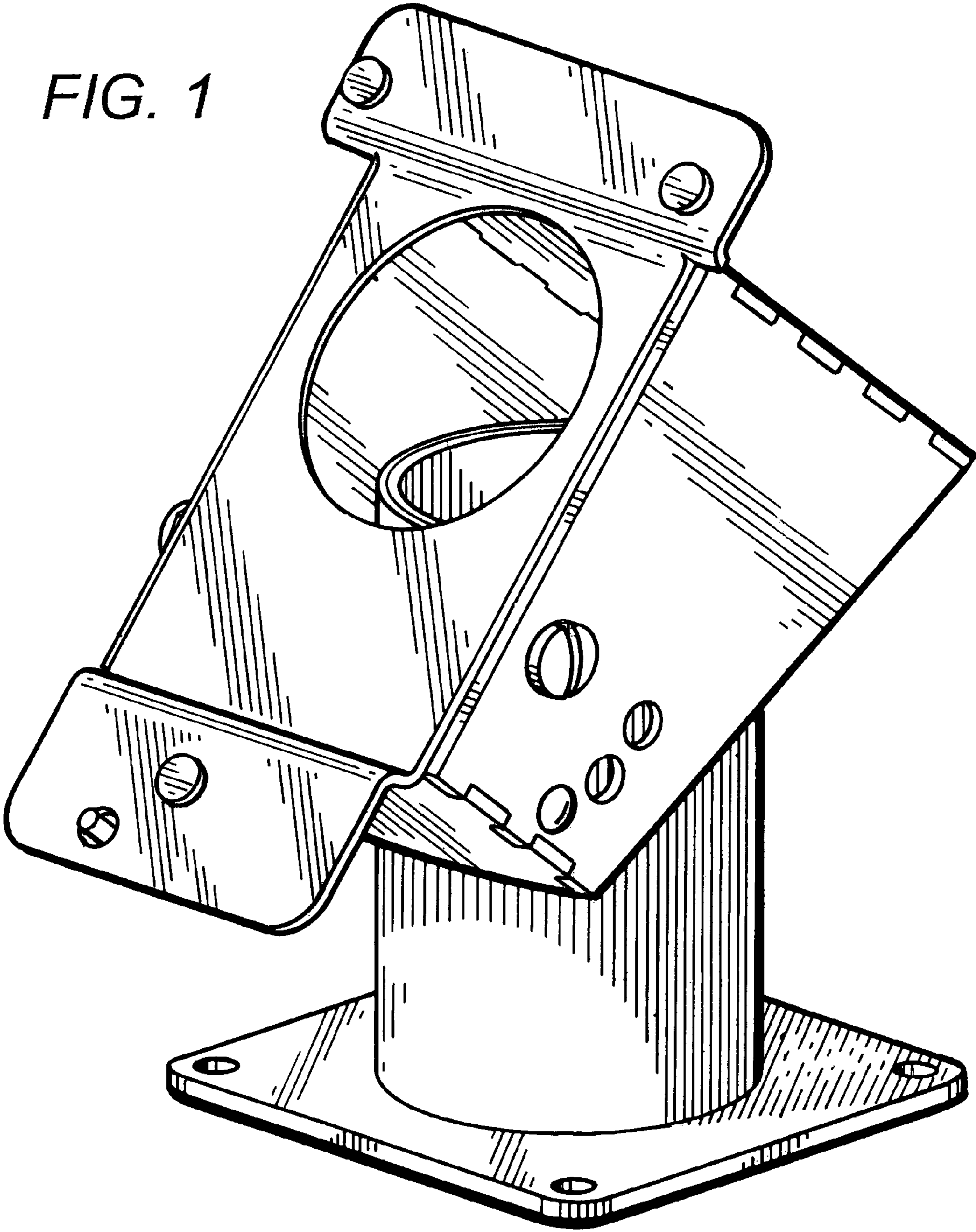
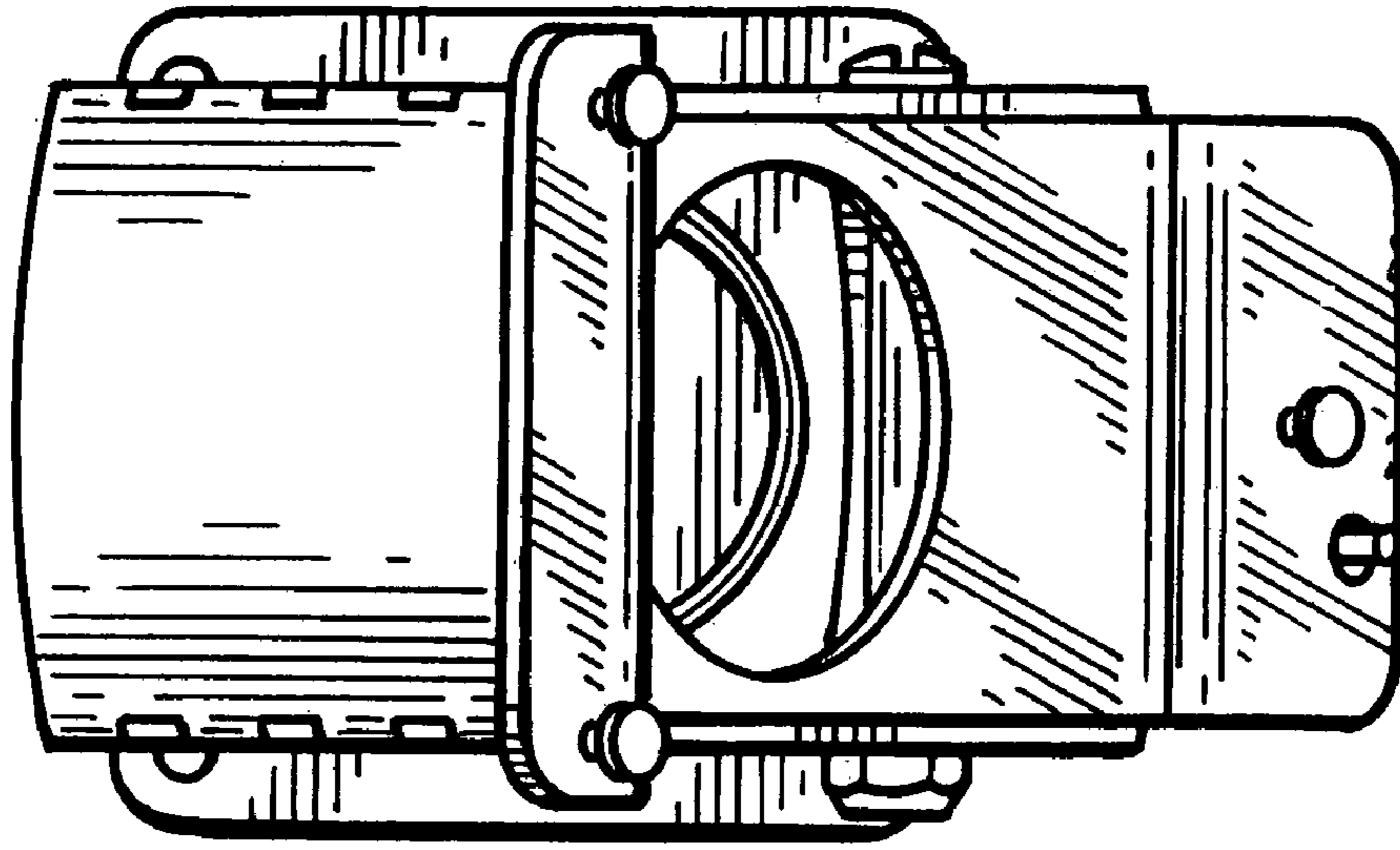
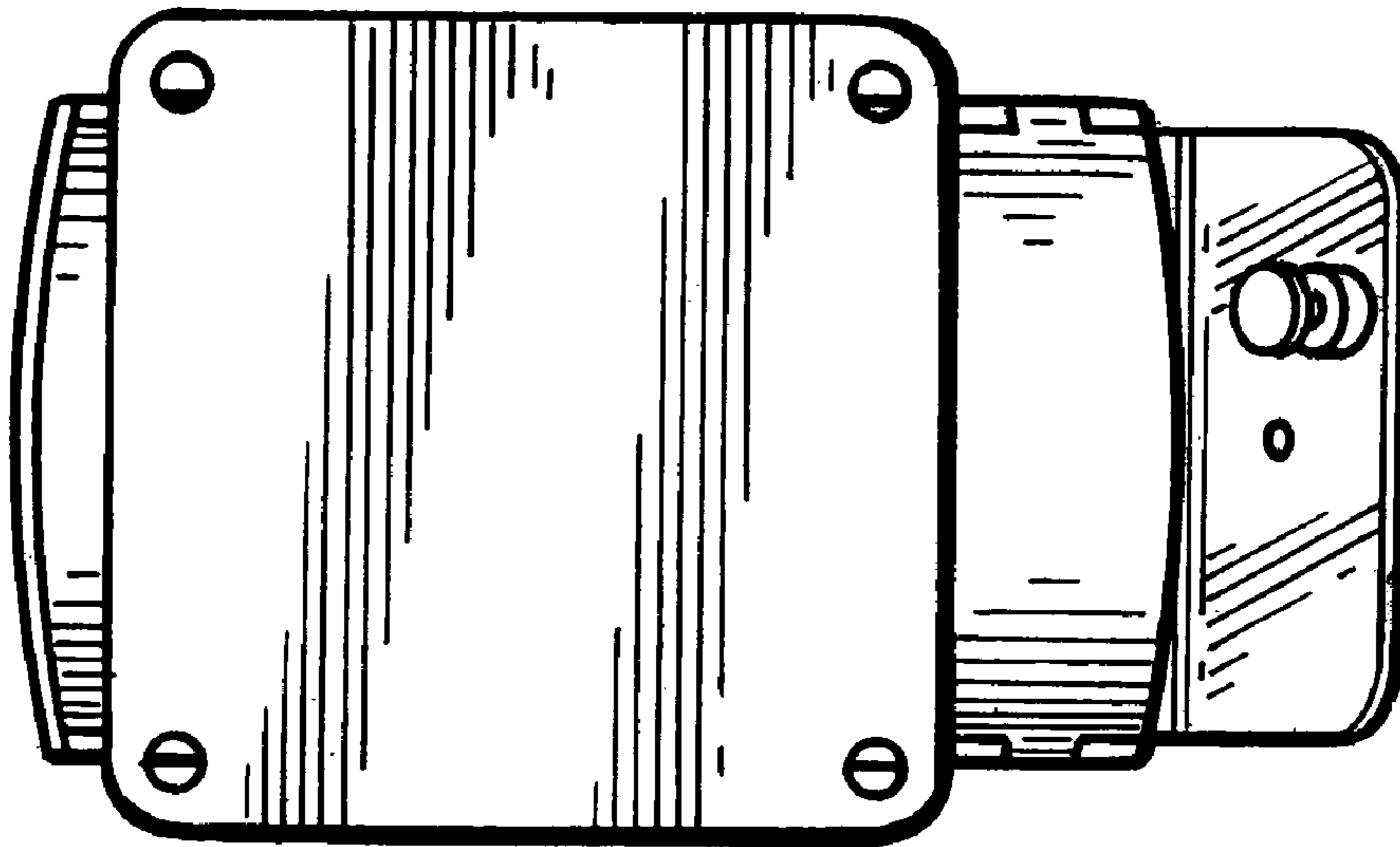


FIG. 1





*FIG. 2*



*FIG. 3*

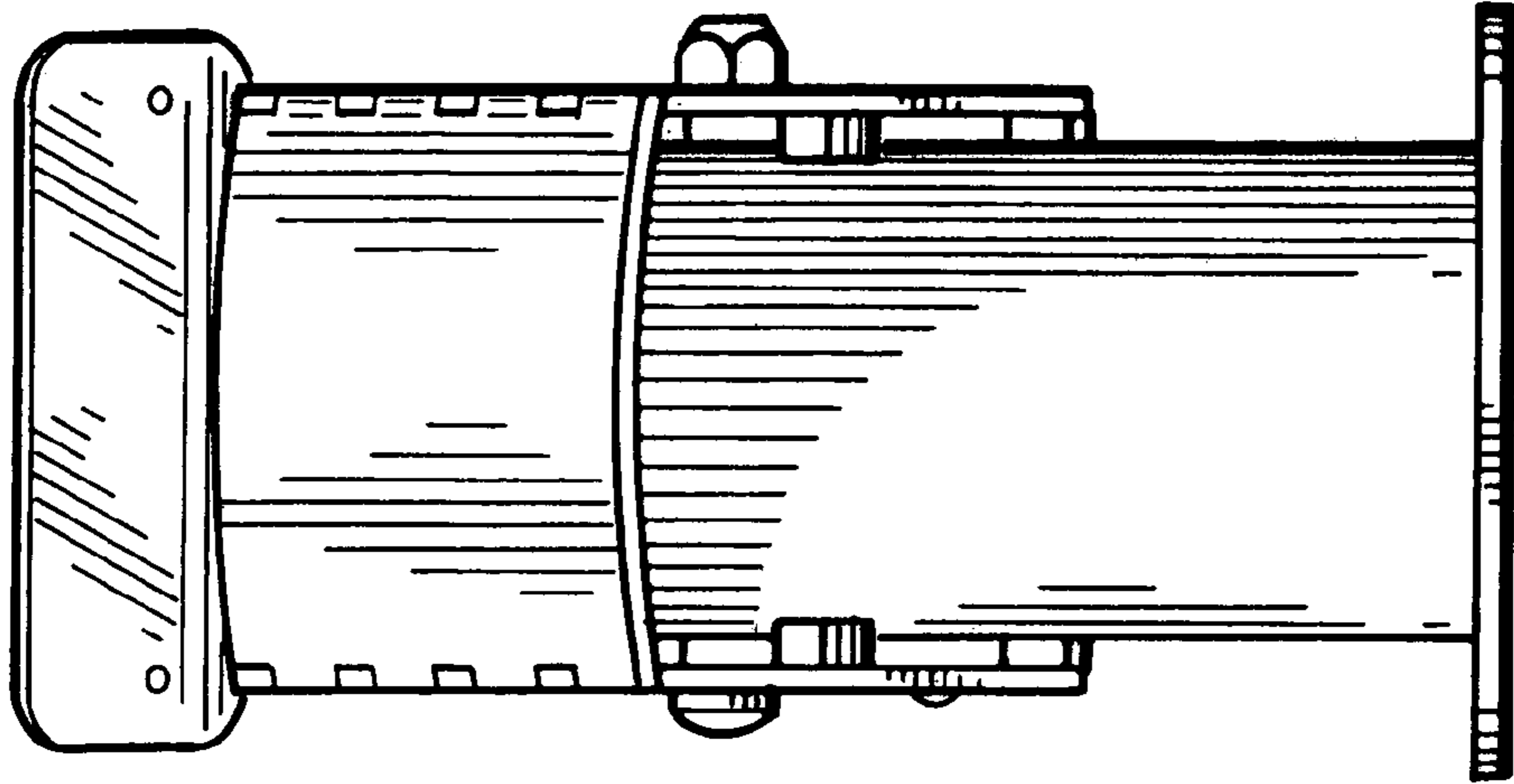


FIG. 4

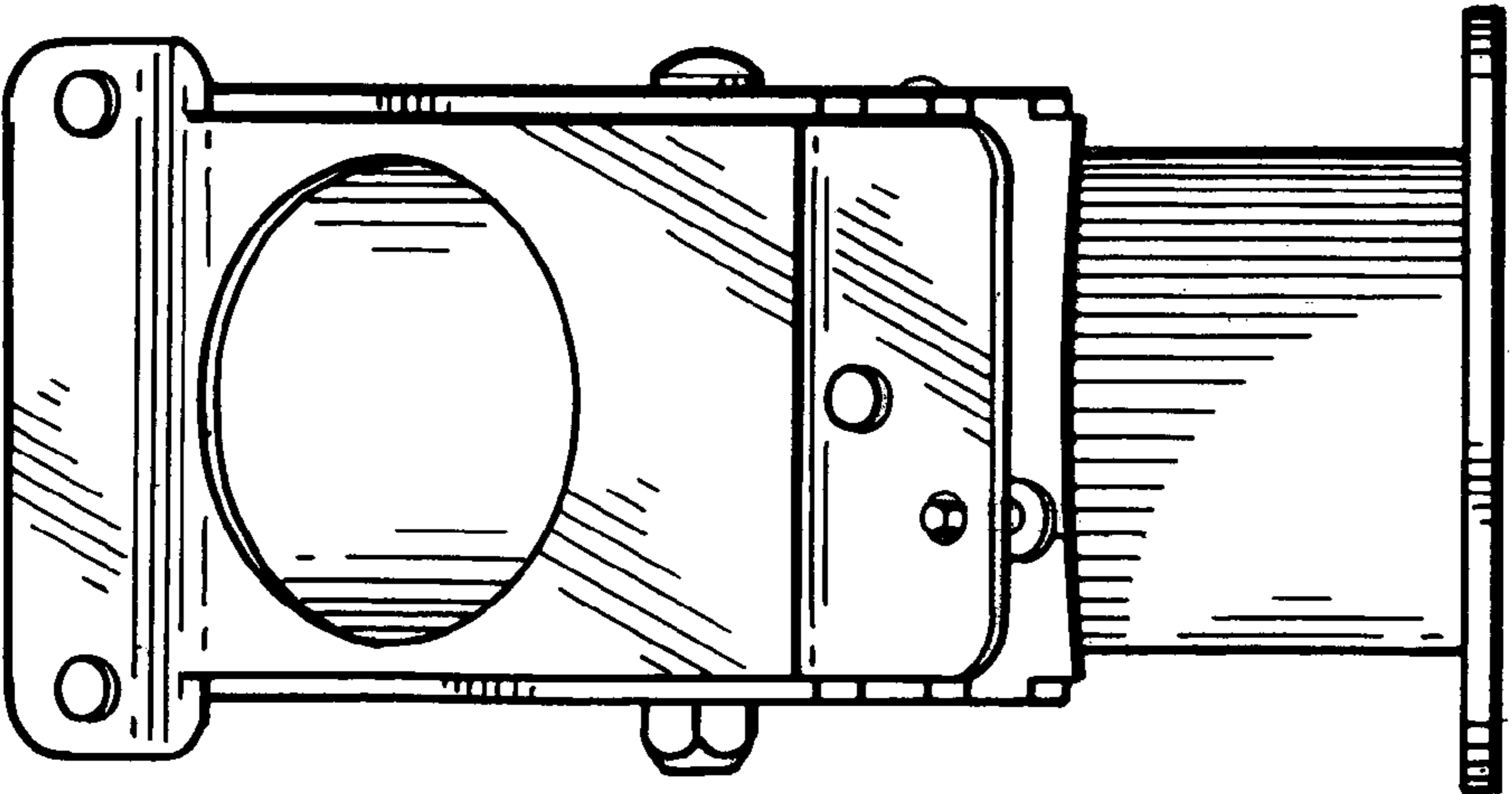


FIG. 5



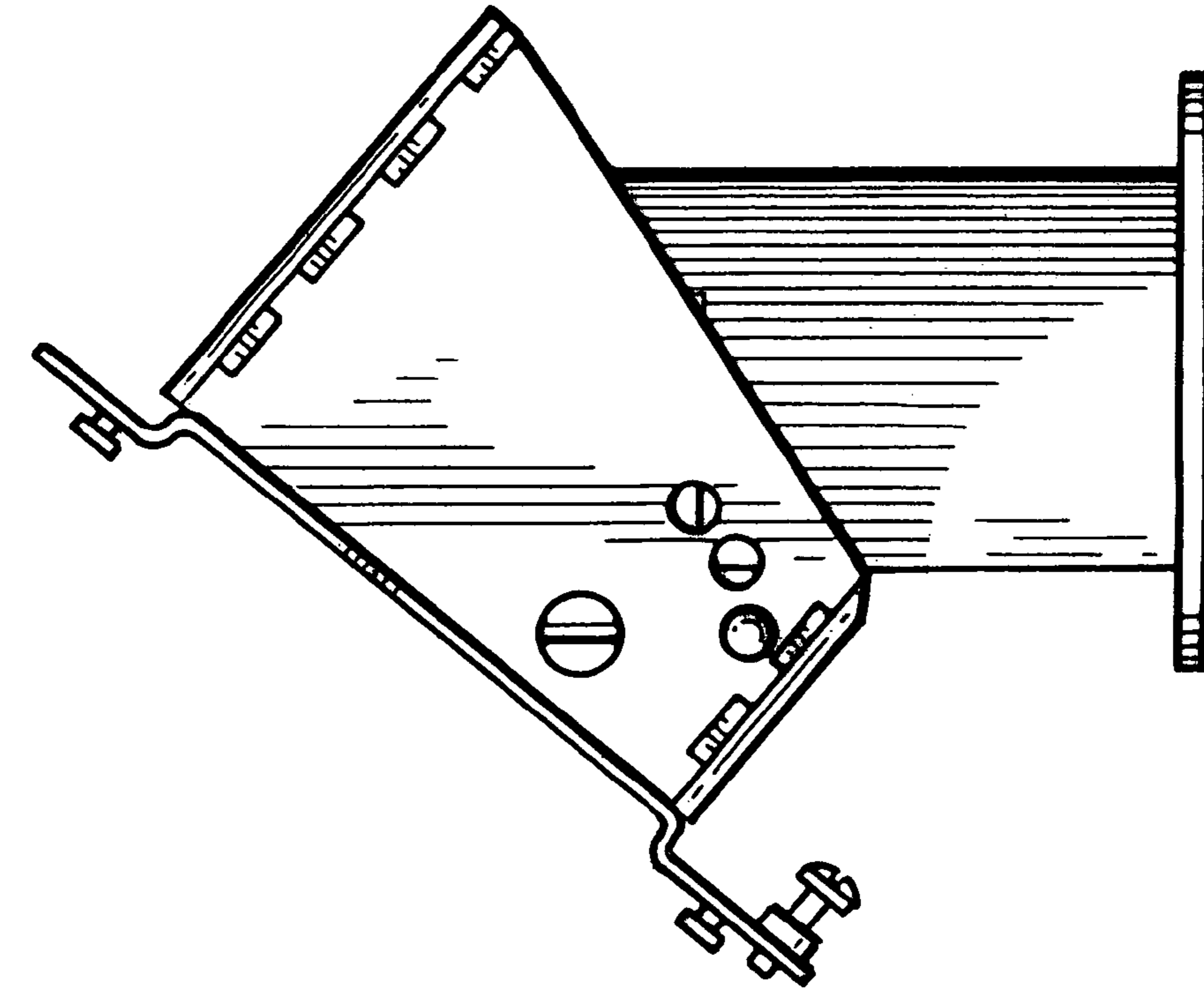


FIG. 6

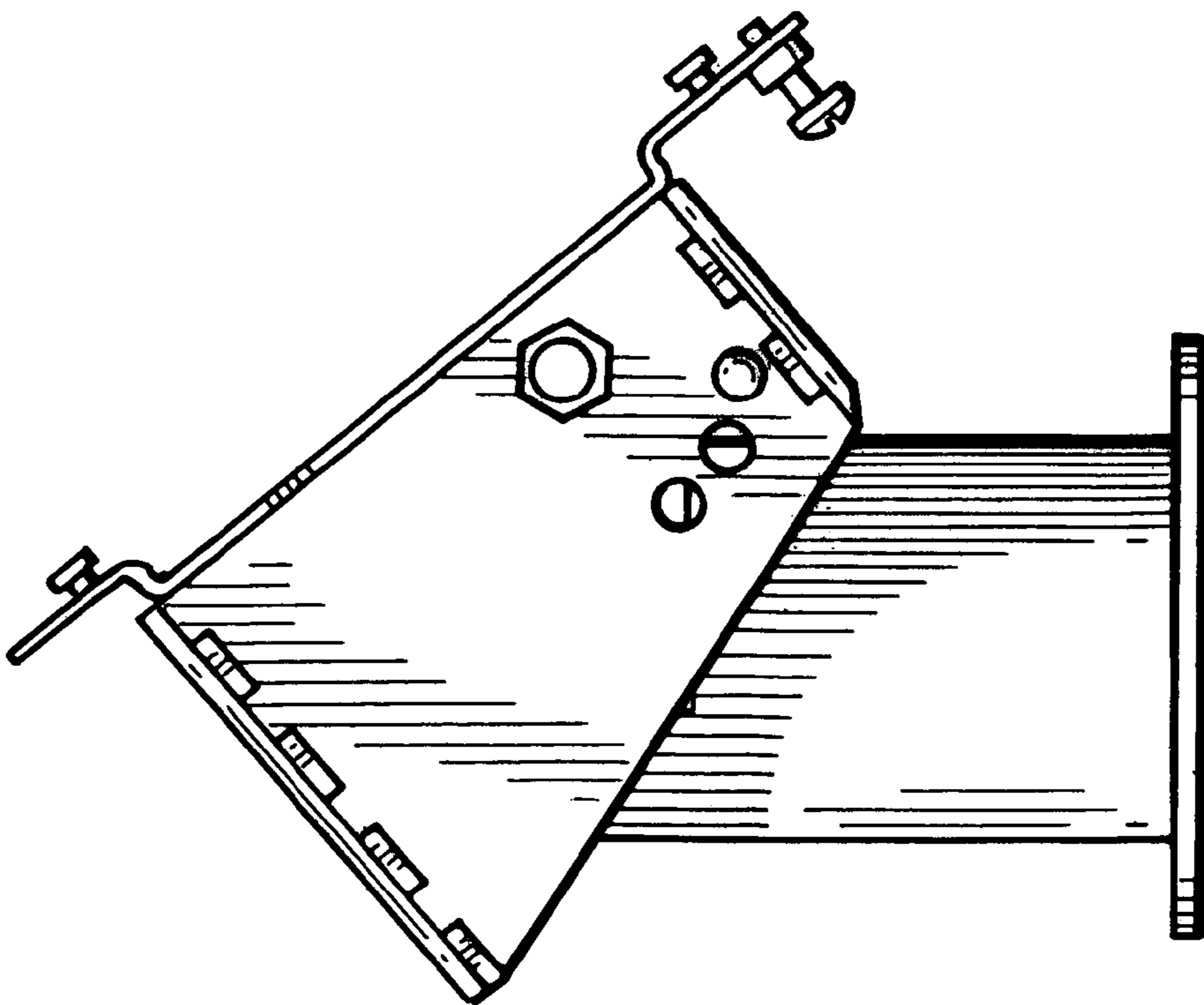


FIG. 7