

US00D563692S

(12) **United States Design Patent**
DeCarlo et al.

(10) **Patent No.:** **US D563,692 S**
(45) **Date of Patent:** **** Mar. 11, 2008**

(54) **FILE CABINET**

D232,782 S 9/1974 Kryter
D247,993 S 5/1978 Calzone, III
D256,737 S 9/1980 Woodhall

(75) Inventors: **Anthony J. DeCarlo**, Kirtland, OH
(US); **Daniel V. Perella**, Hudson, OH
(US); **Vincent J. Thomson**, Avon Lake,
OH (US)

(Continued)

(73) Assignee: **Ideastream Consumer Products, LLC**,
Parma, OH (US)

Primary Examiner—Mimosa De
(74) *Attorney, Agent, or Firm*—Pillsbury Winthrop Shaw
Pittman LLP

(**) Term: **14 Years**

(57) **CLAIM**

(21) Appl. No.: **29/278,138**

The ornamental design for a file cabinet, as shown and
described.

(22) Filed: **Mar. 20, 2007**

DESCRIPTION

(51) **LOC (8) Cl.** **06-04**

(52) **U.S. Cl.** **D6/448**

(58) **Field of Classification Search** D6/396,
D6/397, 432–448, 509–511; D3/273, 294,
D3/297, 314; 211/153; 312/108, 138.1,
312/198, 204, 213, 348.4; D99/28

A portion of the disclosure of this patent document contains
material to which a claim for copyright is made. The
copyright owner has no objection to the facsimile reproduc-
tion of the patent document or the patent disclosure, as it
appears in the Patent and Trademark Office patent file or
records, but reserves all other copyrights whatsoever.

See application file for complete search history.

FIG. 1 is a perspective view of a file cabinet embodying one
aspect of our new design;

(56) **References Cited**

U.S. PATENT DOCUMENTS

903,668 A	11/1908	Carl
941,969 A	11/1909	Williams
D67,730 S	6/1925	Wheary
D71,465 S	11/1926	Langmuir
1,767,143 A	6/1930	Laduke
D108,941 S	3/1938	Goldberg
D129,108 S	8/1941	Sprague
D152,482 S	1/1949	Kendall et al.
2,476,568 A	7/1949	Sullivan
2,511,949 A	6/1950	Simon
D160,949 S	11/1950	Knell
2,558,839 A	7/1951	Goldberg
2,626,025 A	1/1953	Sherman
2,631,725 A	3/1953	Miller
D170,965 S	12/1953	Claus
D202,160 S	8/1965	Territo et al.

FIG. 2 is a front elevational view of the file cabinet of FIG.
1;

FIG. 3 is a rear elevational view of the file cabinet of FIG.
1;

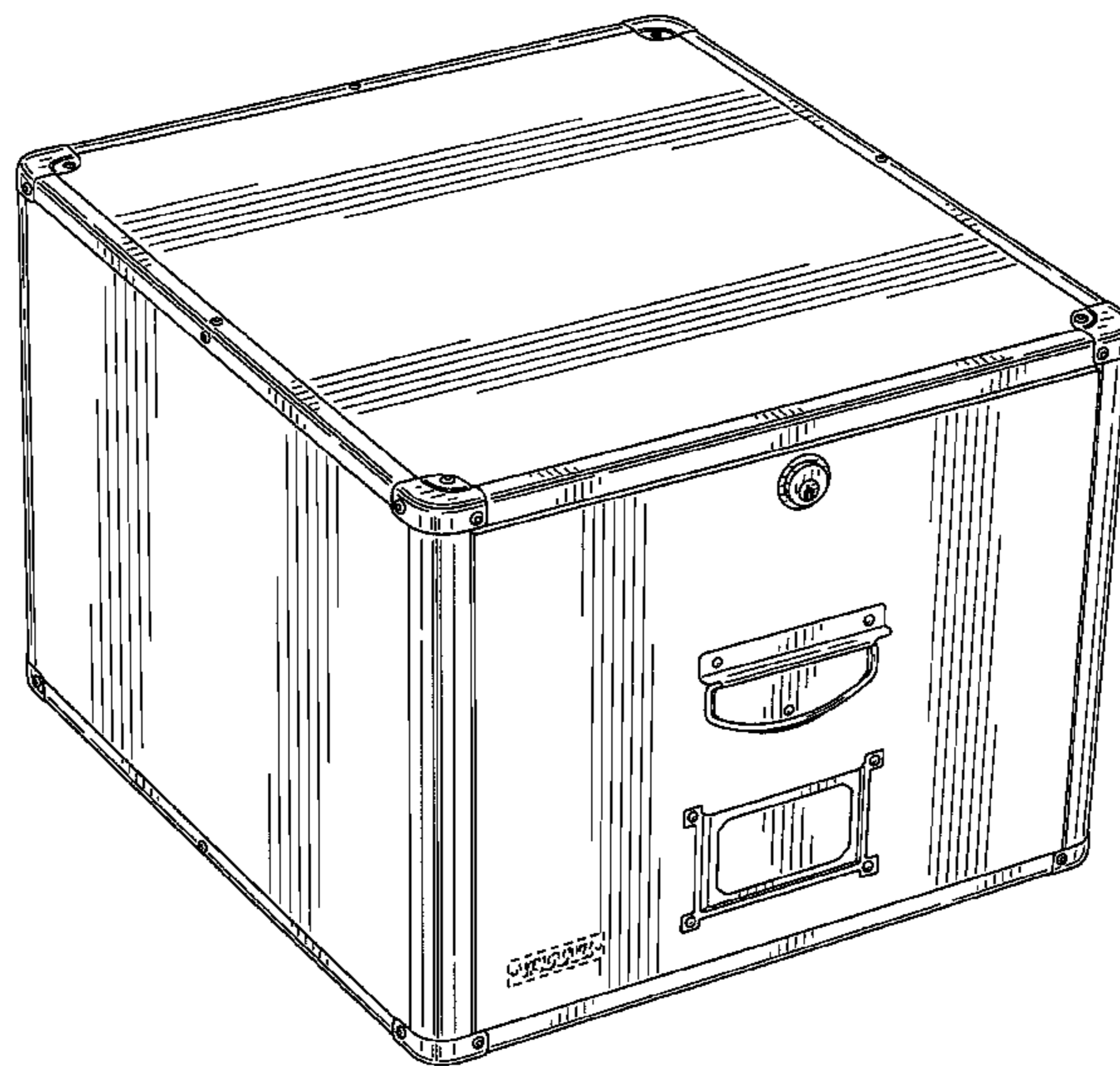
FIG. 4 is a right side profile view of the file cabinet of FIG.
1, it being understood that the left side profile view is a
mirror image;

FIG. 5 is a top plan view of the file cabinet of FIG. 1; and,
FIG. 6 is a bottom plan view of the file cabinet of FIG. 1.

The subject matter shown in broken lines forms no part of
the claimed design.

The broken lines shown in the drawing are for illustrative
purposes only and form no part of the claimed design.

1 Claim, 6 Drawing Sheets



US D563,692 S

Page 2

U.S. PATENT DOCUMENTS

D268,380 S	3/1983	Thiele		D419,766 S	2/2000	Rekuc	
4,509,622 A	4/1985	Morszeck		D431,392 S	10/2000	Felsenthal	
D285,626 S	9/1986	Yen		6,193,340 B1	2/2001	Schenker et al.	
D287,429 S	12/1986	Esslinger		D439,044 S	3/2001	Cheng	
D288,751 S	3/1987	Fuss et al.		D439,777 S *	4/2001	Laughton	D6/510
D288,753 S	3/1987	Fuss et al.		D454,750 S	3/2002	Bieda	
D288,863 S	3/1987	Vuitton		D460,878 S	7/2002	Keller	
4,669,587 A	6/1987	Zitt		D461,339 S	8/2002	Keller	
D296,153 S	6/1988	Reichow		D467,078 S	12/2002	Snider	
D297,385 S	8/1988	Bennett		D467,428 S	12/2002	Wolf	
4,782,972 A	11/1988	Wenkman et al.		D468,130 S *	1/2003	Licari	D6/441
4,892,334 A	1/1990	Sinclair		D468,932 S *	1/2003	Licari	D6/441
D308,137 S	5/1990	Grecchi		6,513,889 B1	2/2003	Park	
D314,666 S	2/1991	Lanius		D471,382 S	3/2003	Jackson	
5,000,301 A	3/1991	Grenier		D482,210 S	11/2003	Bishop	
D322,884 S	1/1992	Martinez		D484,352 S	12/2003	Palmer	
D329,134 S	9/1992	Tokuda et al.		D488,321 S	4/2004	Perella	
D331,663 S	12/1992	Roncato		D490,206 S	5/2004	Perella et al.	
D336,983 S	7/1993	Roberts et al.		D492,358 S	6/2004	Chen	
D351,502 S	10/1994	Weir et al.		D493,303 S	7/2004	Perella	
D358,055 S	5/1995	Long et al.		D493,936 S	8/2004	Perella	
D360,778 S *	8/1995	Apt et al.	D6/448	D495,746 S	9/2004	Chen	
D363,396 S *	10/1995	Licari	D6/448	D496,791 S	10/2004	Perella	
D364,053 S	11/1995	Hayashi et al.		D497,252 S	10/2004	Perella	
D365,224 S	12/1995	Pohlman		D498,049 S	11/2004	Perella	
D365,225 S	12/1995	Poortvliet et al.		D499,883 S	12/2004	Perella	
5,513,066 A	4/1996	Berman		D500,922 S	1/2005	Perella	
5,528,453 A	6/1996	Berman et al.		D501,083 S	1/2005	Perella	
D378,164 S	2/1997	Lee		D501,995 S	2/2005	Perella	
D379,477 S	5/1997	Shamoon		D502,812 S *	3/2005	Zimmerman	D3/297
D386,614 S	11/1997	Smith		D503,024 S	3/2005	Perella	
D388,251 S	12/1997	Smith		D503,503 S	3/2005	Perella	
D393,526 S	4/1998	Robey et al.		D504,038 S	4/2005	Perella	
D401,408 S	11/1998	Sun et al.		D504,039 S	4/2005	Perella	
5,865,310 A	2/1999	Lee		D505,042 S	5/2005	Perella	
D410,351 S	6/1999	Magnusson et al.		D510,491 S *	10/2005	Perella et al.	D6/446
5,913,580 A *	6/1999	Liu	312/108	D511,035 S	10/2005	Perella	
D414,037 S	9/1999	Akaike et al.		D515,809 S	2/2006	Perella	
D414,646 S	10/1999	Ouguergouz		D516,316 S	3/2006	Perella	
D415,614 S	10/1999	Akaike et al.		D545,589 S *	7/2007	DeCarlo et al.	D6/446

* cited by examiner

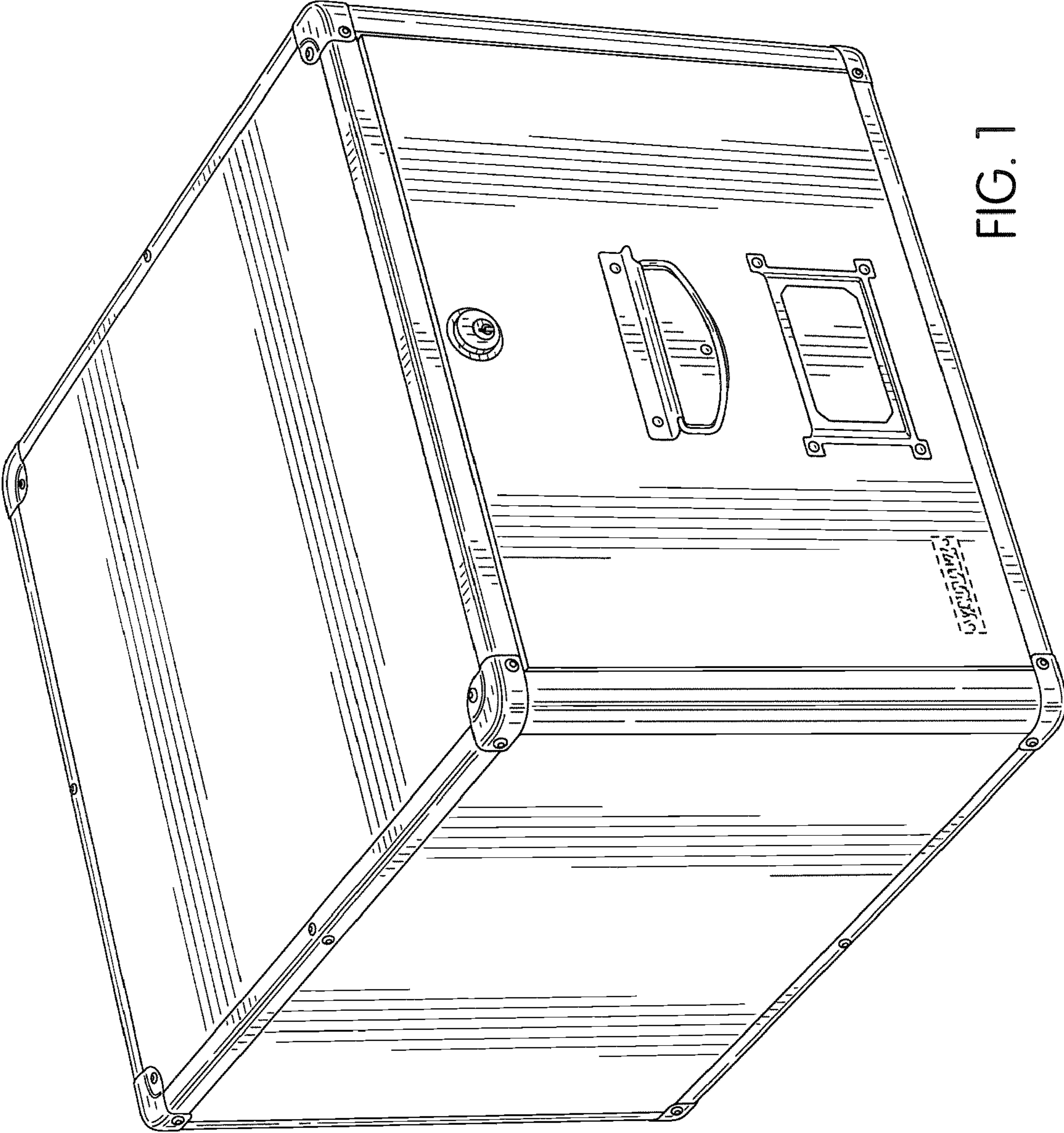


FIG. 1

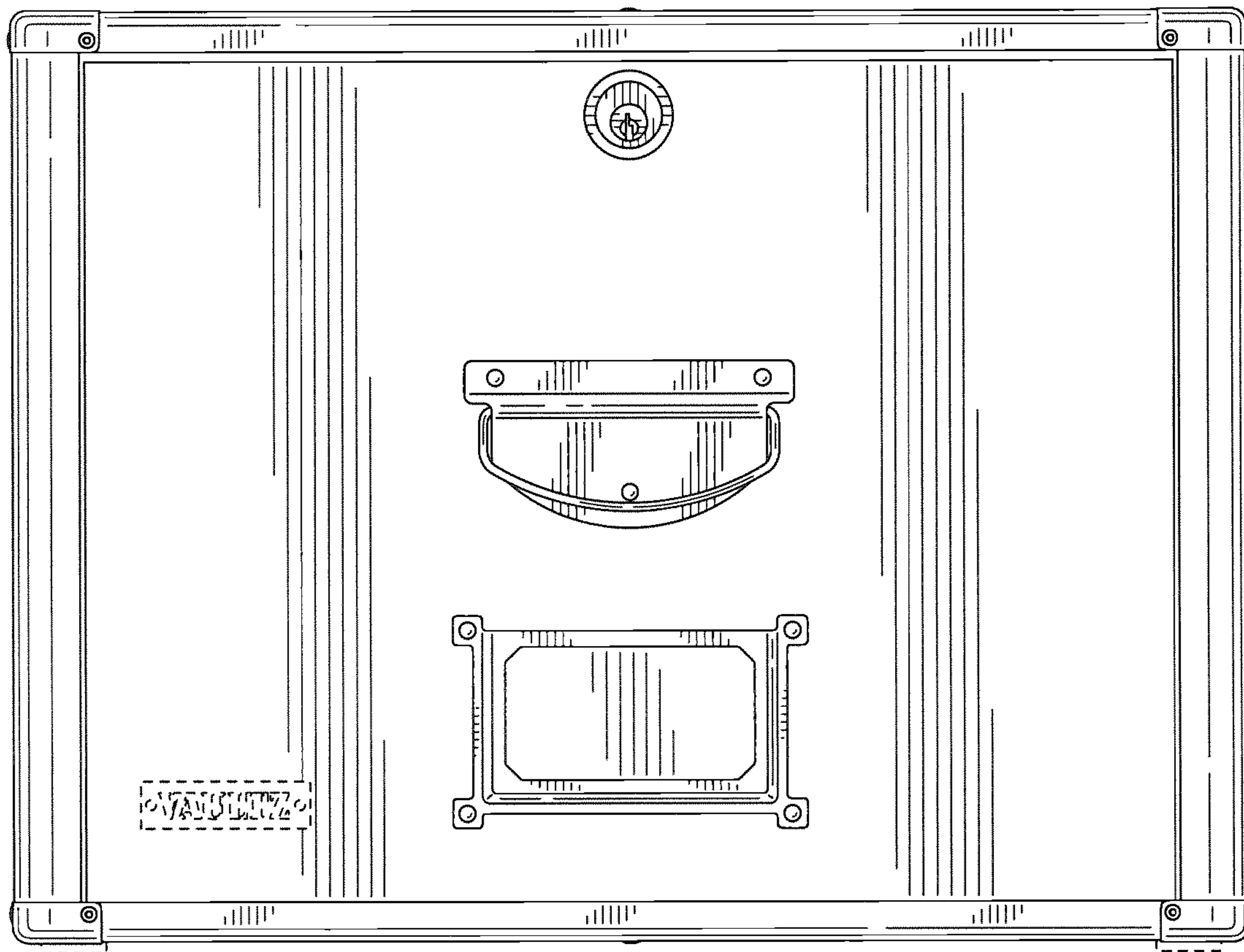


FIG. 2

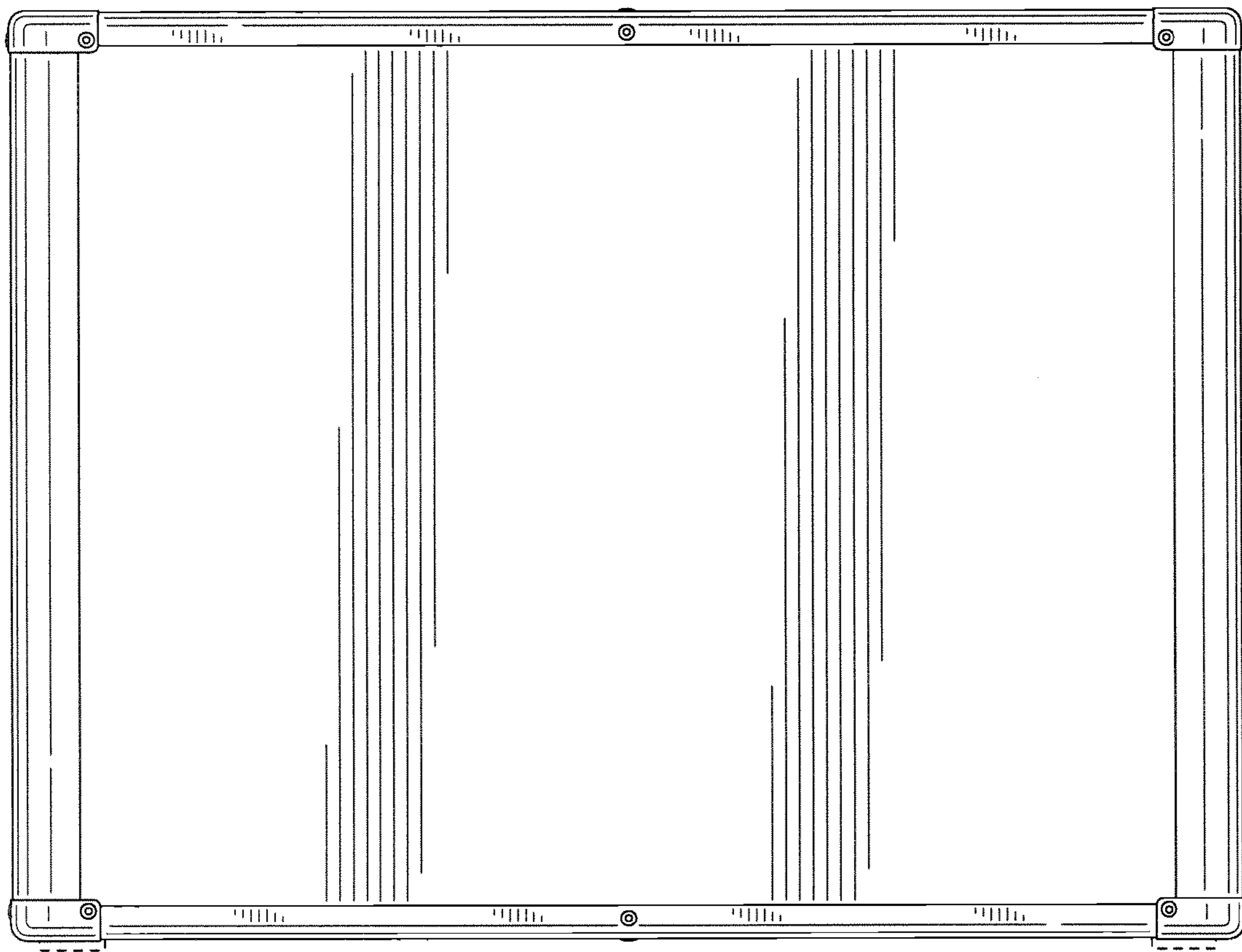


FIG. 3

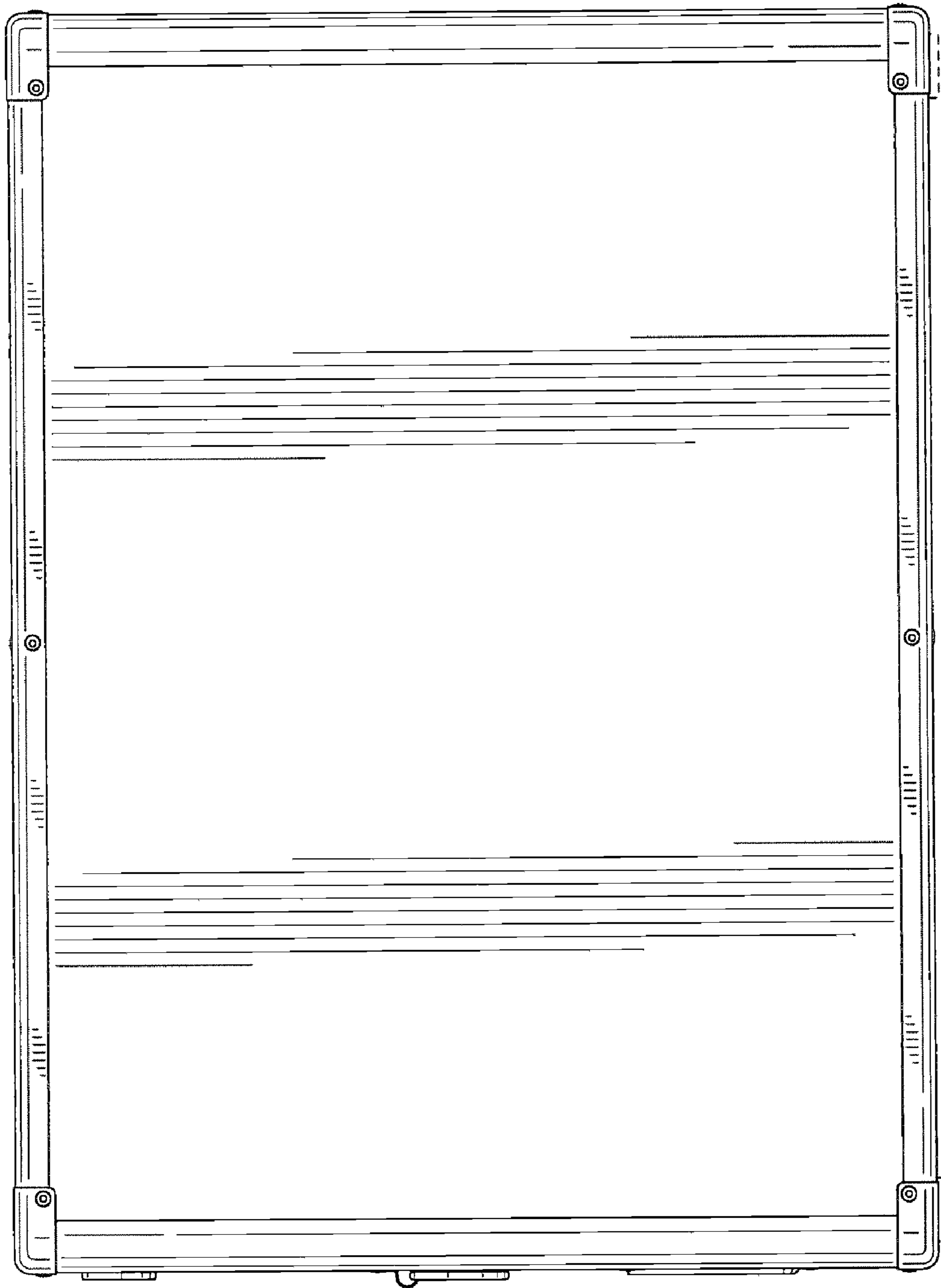


FIG. 4

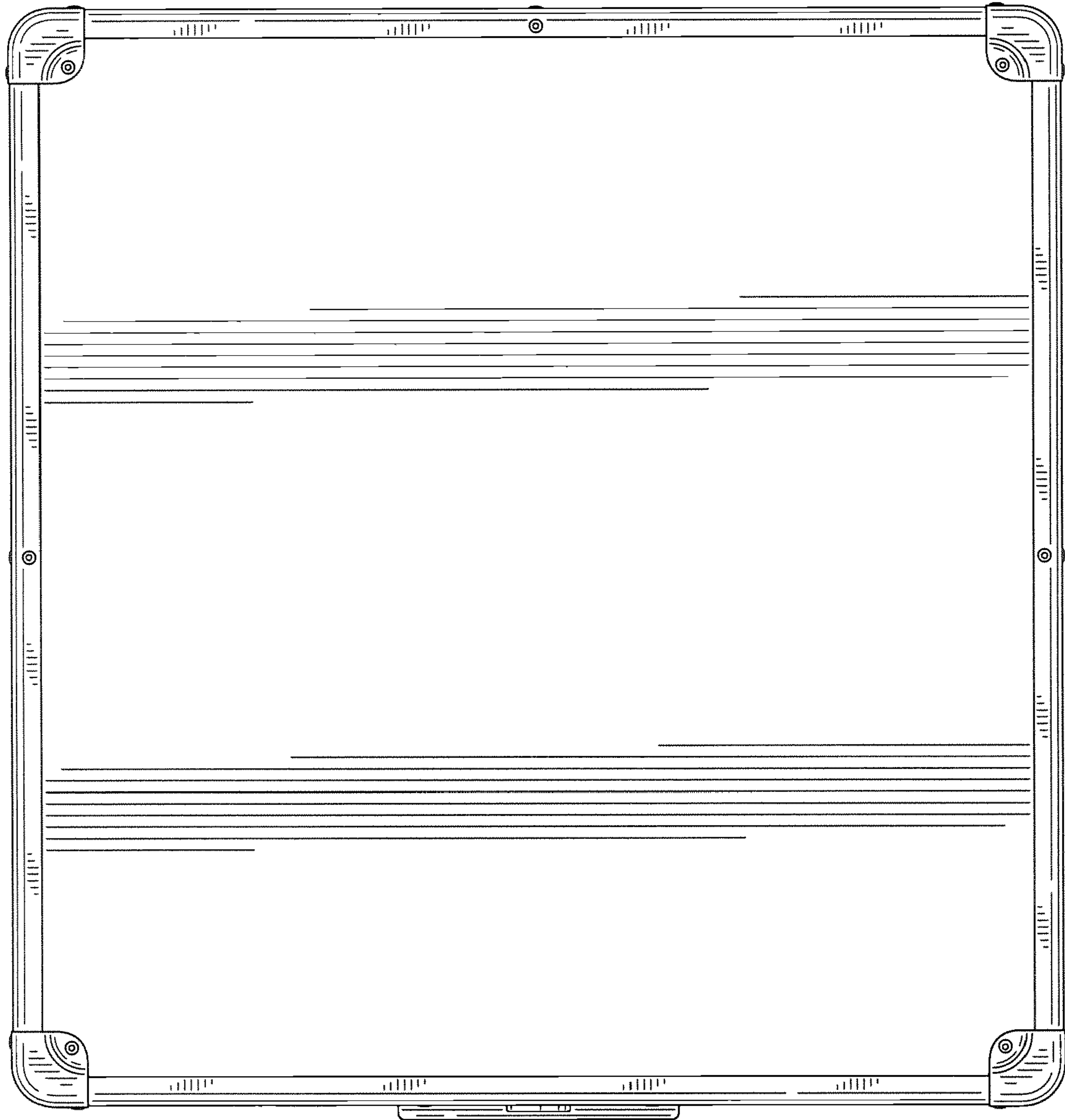


FIG. 5

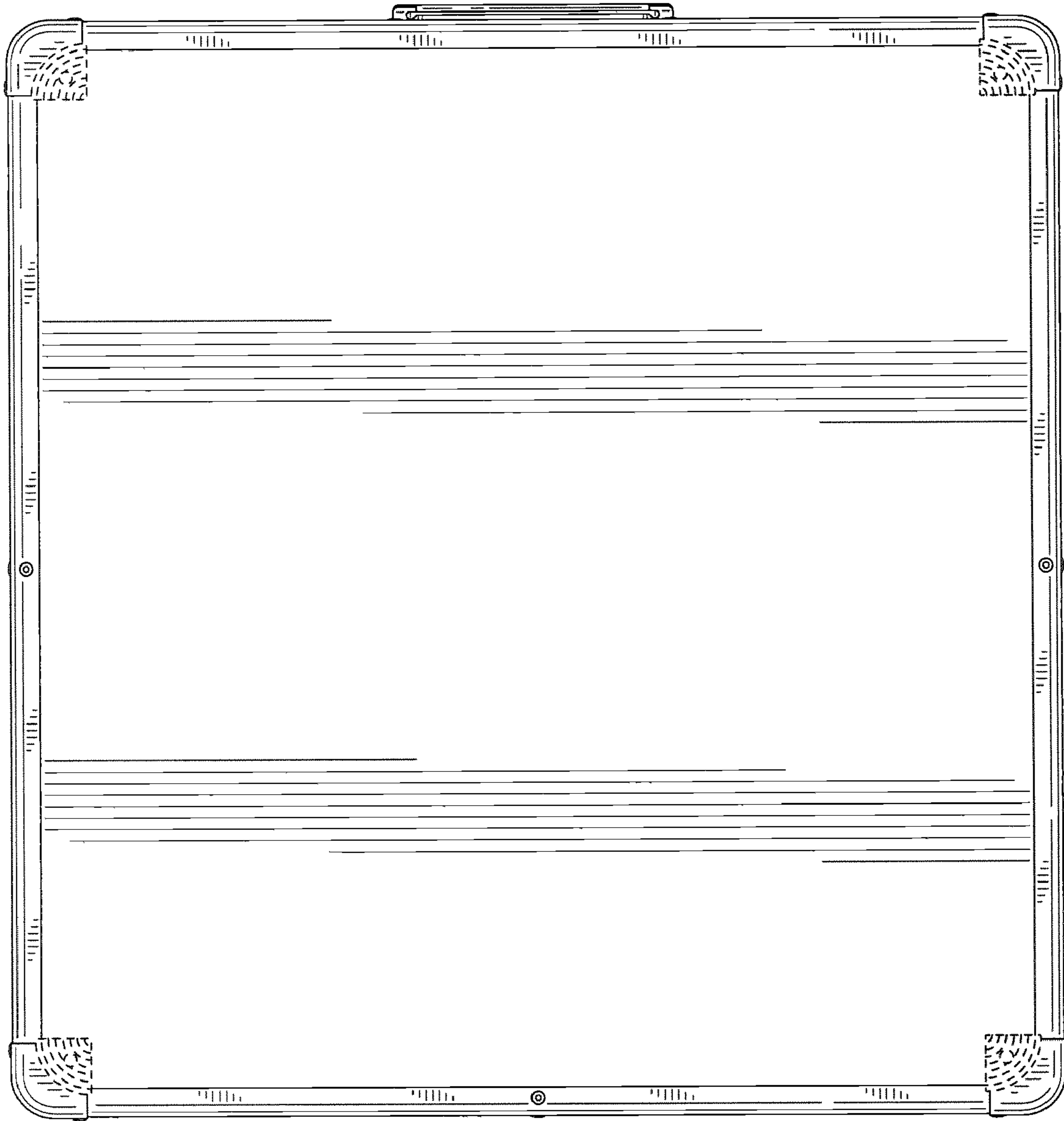


FIG. 6