

US00D563690S

(12) **United States Design Patent**  
**MacDonald**

(10) **Patent No.:** **US D563,690 S**

(45) **Date of Patent:** **\*\* Mar. 11, 2008**

(54) **FURNITURE ITEM**

(76) Inventor: **Ross K. MacDonald**, 6145 Winding Hills Dr., Mechanicsville, VA (US) 23111

(\*\*) Term: **14 Years**

(21) Appl. No.: **29/285,802**

(22) Filed: **Apr. 9, 2007**

(51) **LOC (8) Cl.** ..... **06-04**

(52) **U.S. Cl.** ..... **D6/436; D6/477**

(58) **Field of Classification Search** ..... D6/432-449, D6/474, 477-479; 312/7.2, 9.1, 111; 108/59, 108/91, 92, 96; 211/41.41, 42, 43, 133.1  
See application file for complete search history.

(56) **References Cited**

**U.S. PATENT DOCUMENTS**

D433,253 S *	11/2000	Gingrich et al. ....	D6/479
D472,074 S *	3/2003	de Carolis ....	D6/479
D496,545 S *	9/2004	McDiarmid ....	D6/479
D501,740 S *	2/2005	Sexton ....	D6/477
D502,027 S *	2/2005	Sexton ....	D6/479

D508,172 S *	8/2005	Malizia .....	D6/477
D508,800 S *	8/2005	Sexton .....	D6/477
D516,837 S *	3/2006	Niu .....	D6/474
D550,478 S *	9/2007	Glass et al. ....	D6/436

\* cited by examiner

*Primary Examiner*—Mimosa De

(74) *Attorney, Agent, or Firm*—Schwartz Law Firm P.C.

(57) **CLAIM**

I claim the ornamental design for a furniture item, as shown and described.

**DESCRIPTION**

FIG. 1 is a perspective view of the furniture item with a television monitor shown in phantom, the television monitor forming no part of the claimed design;

FIG. 2 is a front view thereof;

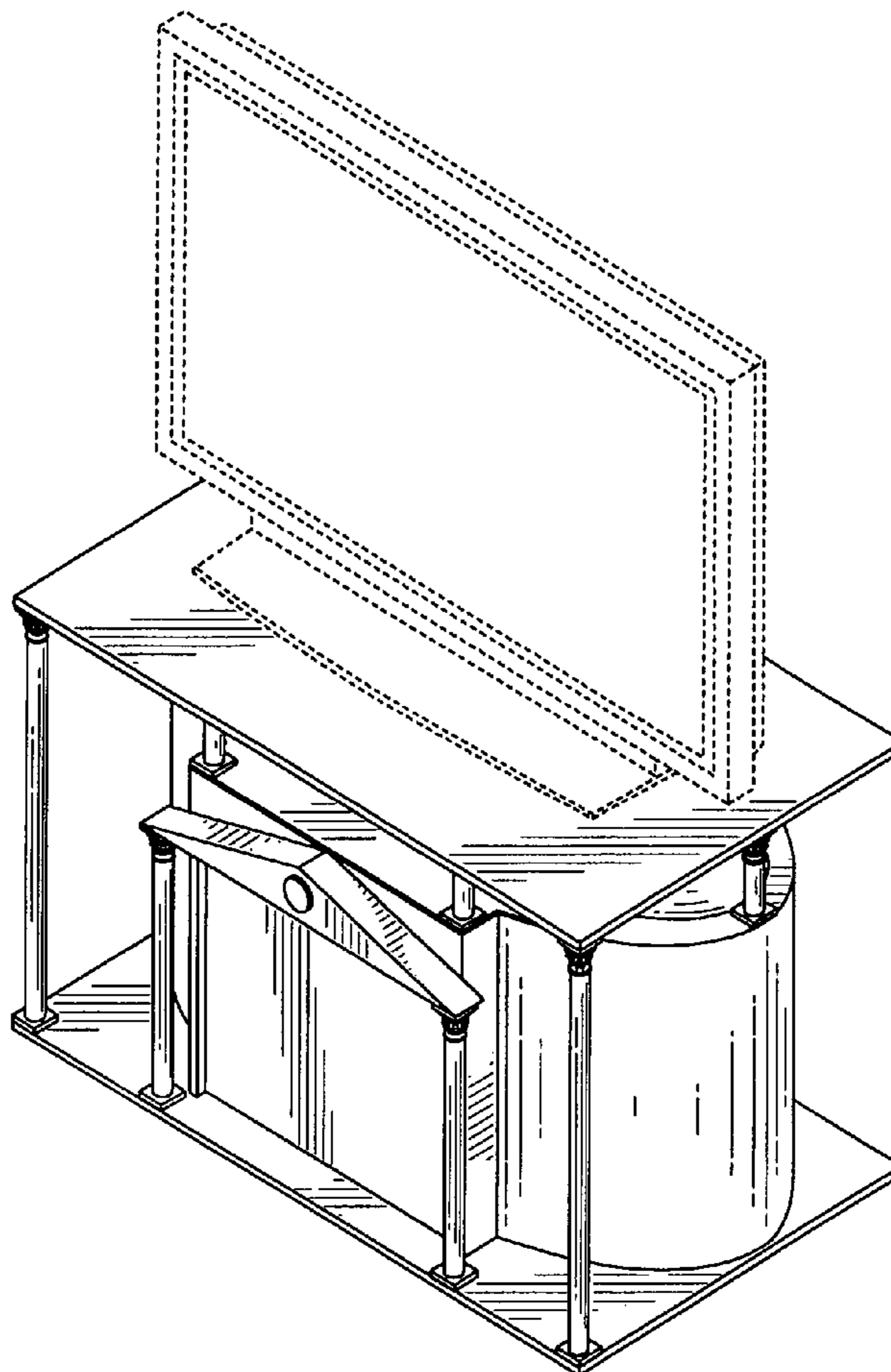
FIG. 3 is a right side view thereof;

FIG. 4 is a rear view thereof;

FIG. 5 is a top view thereof; and,

FIG. 6 is a left side view thereof.

**1 Claim, 6 Drawing Sheets**



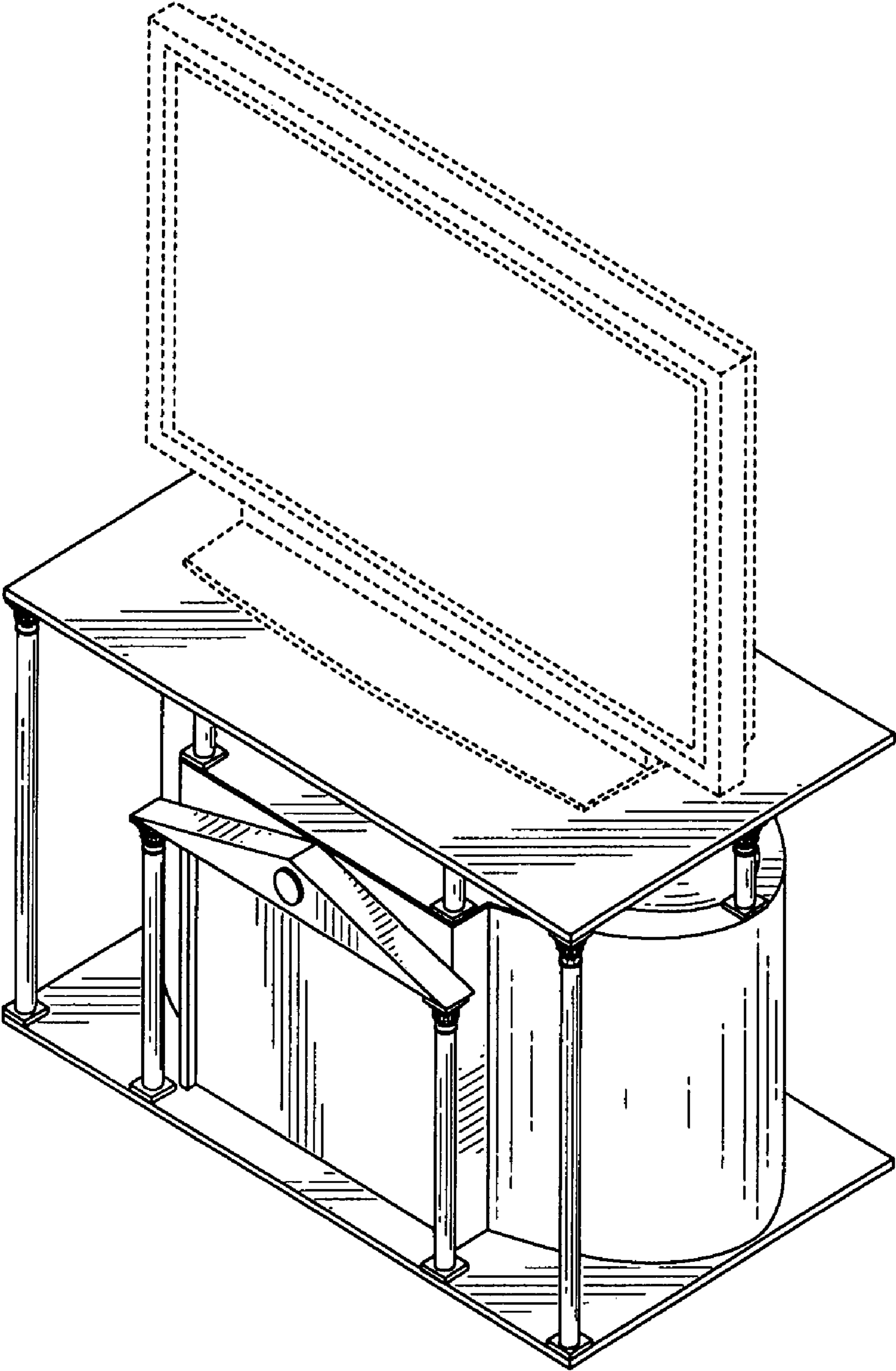


FIG. 1

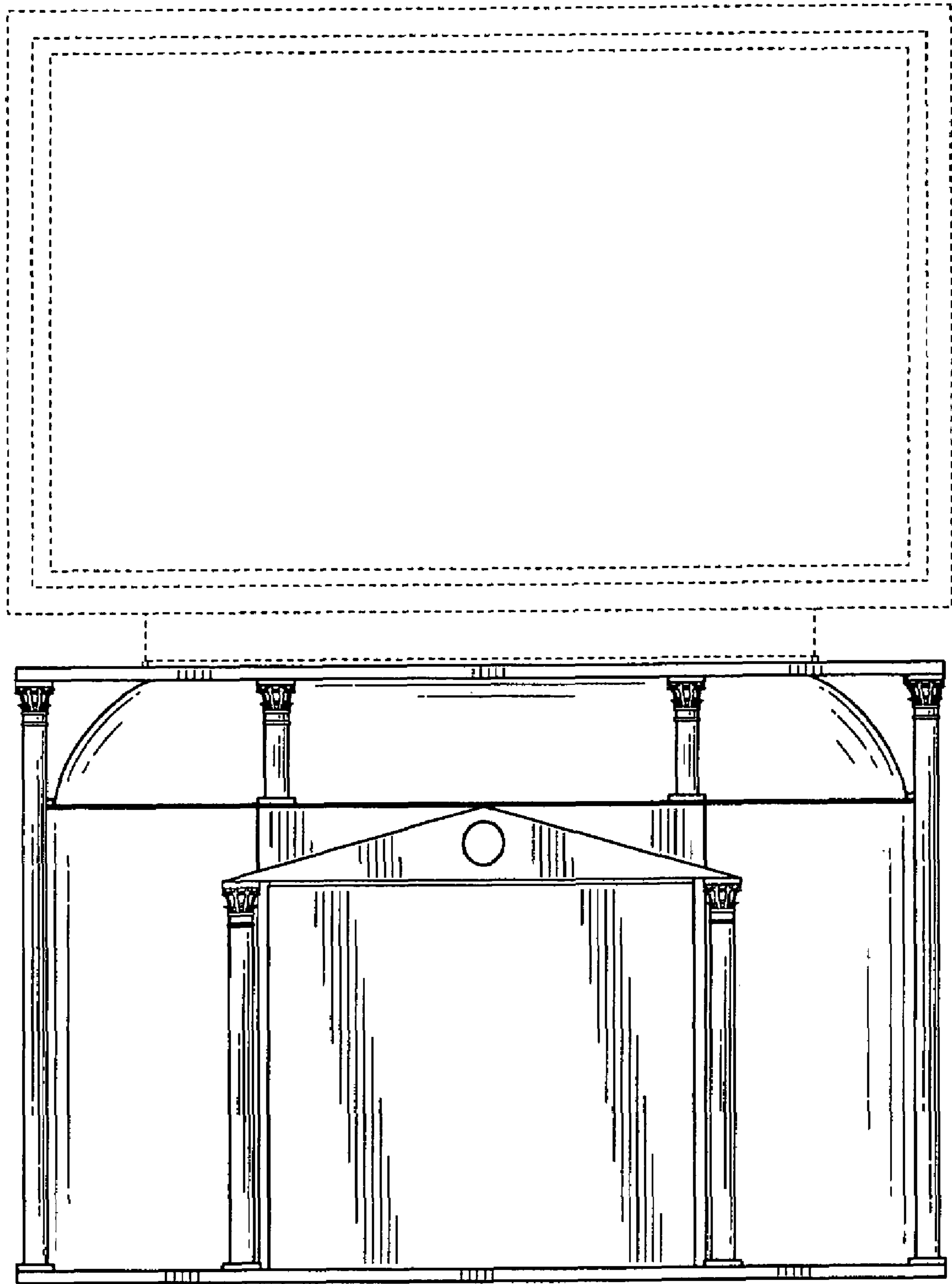
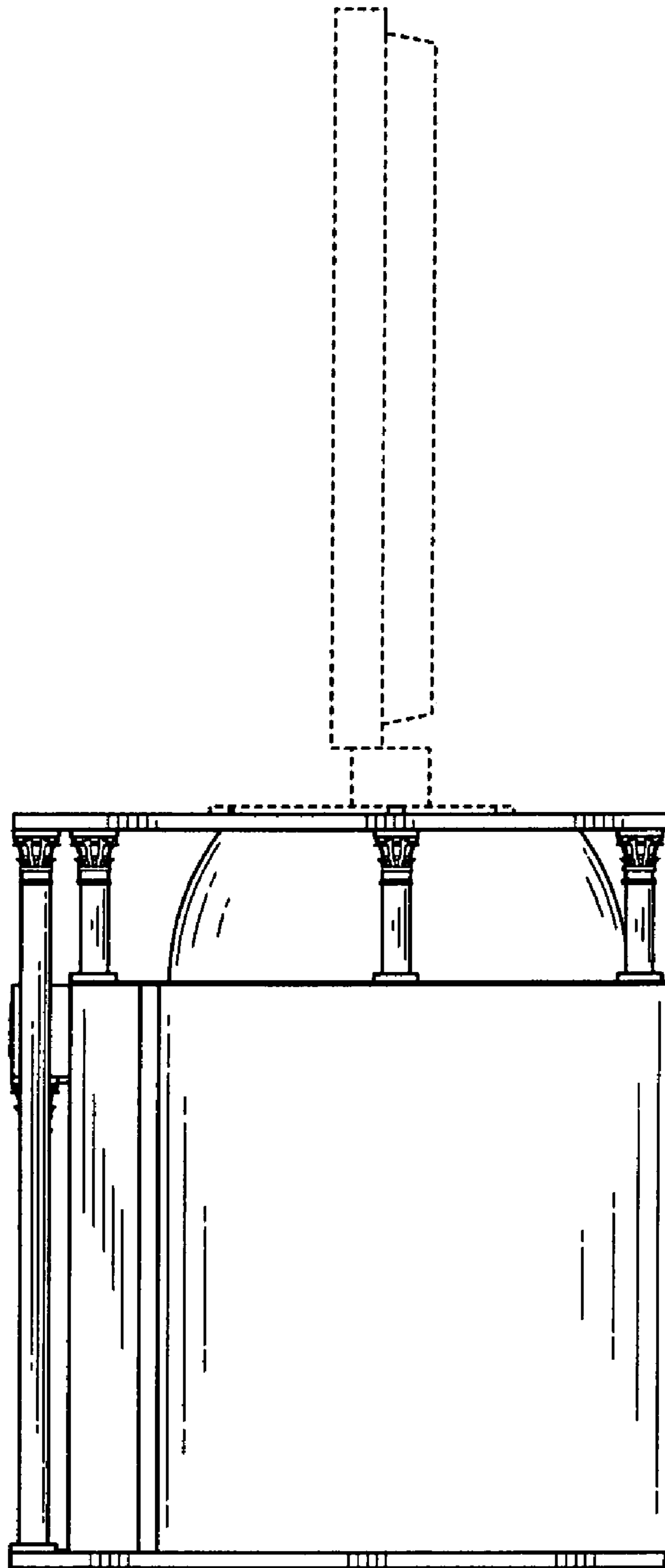
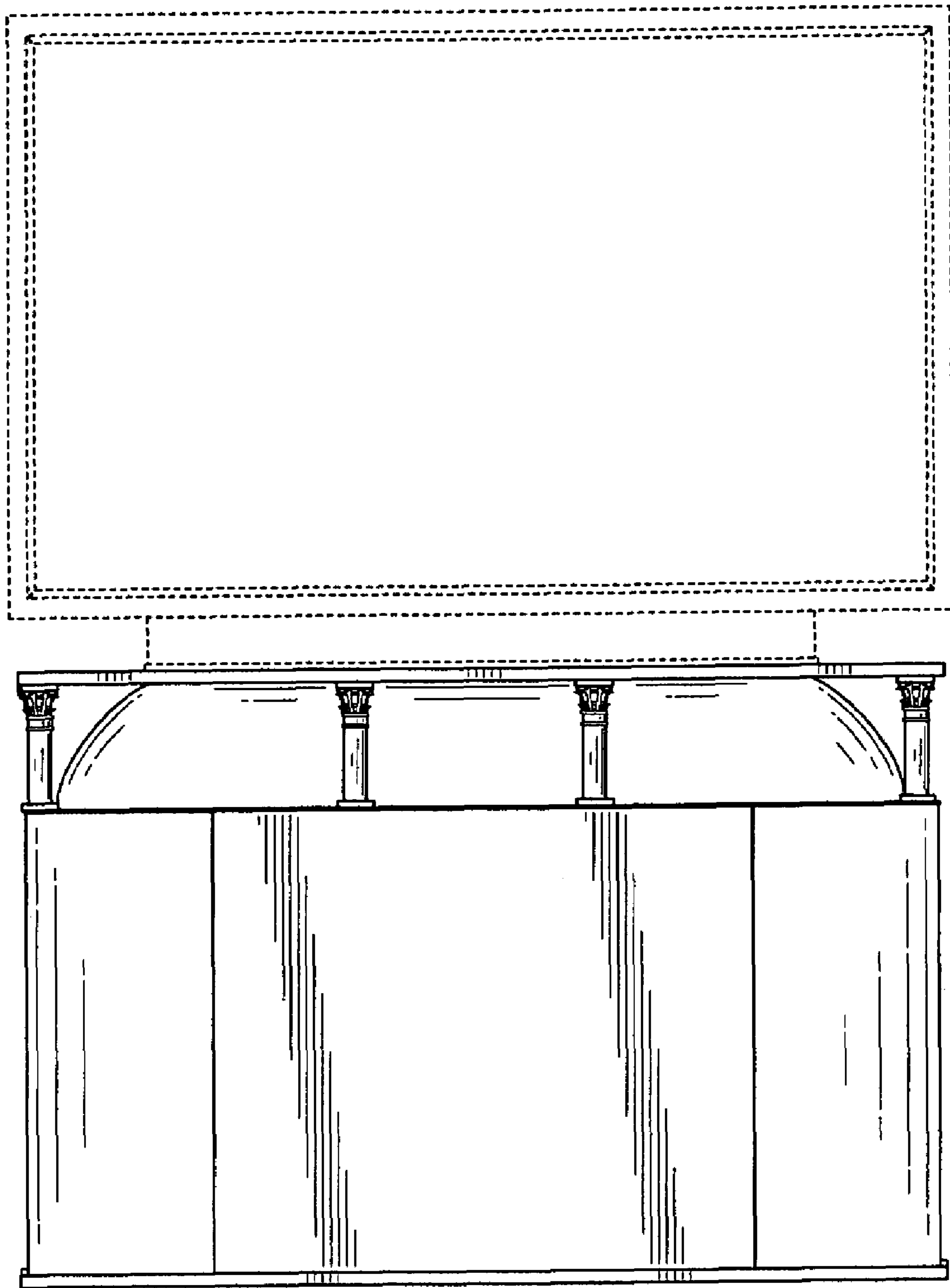


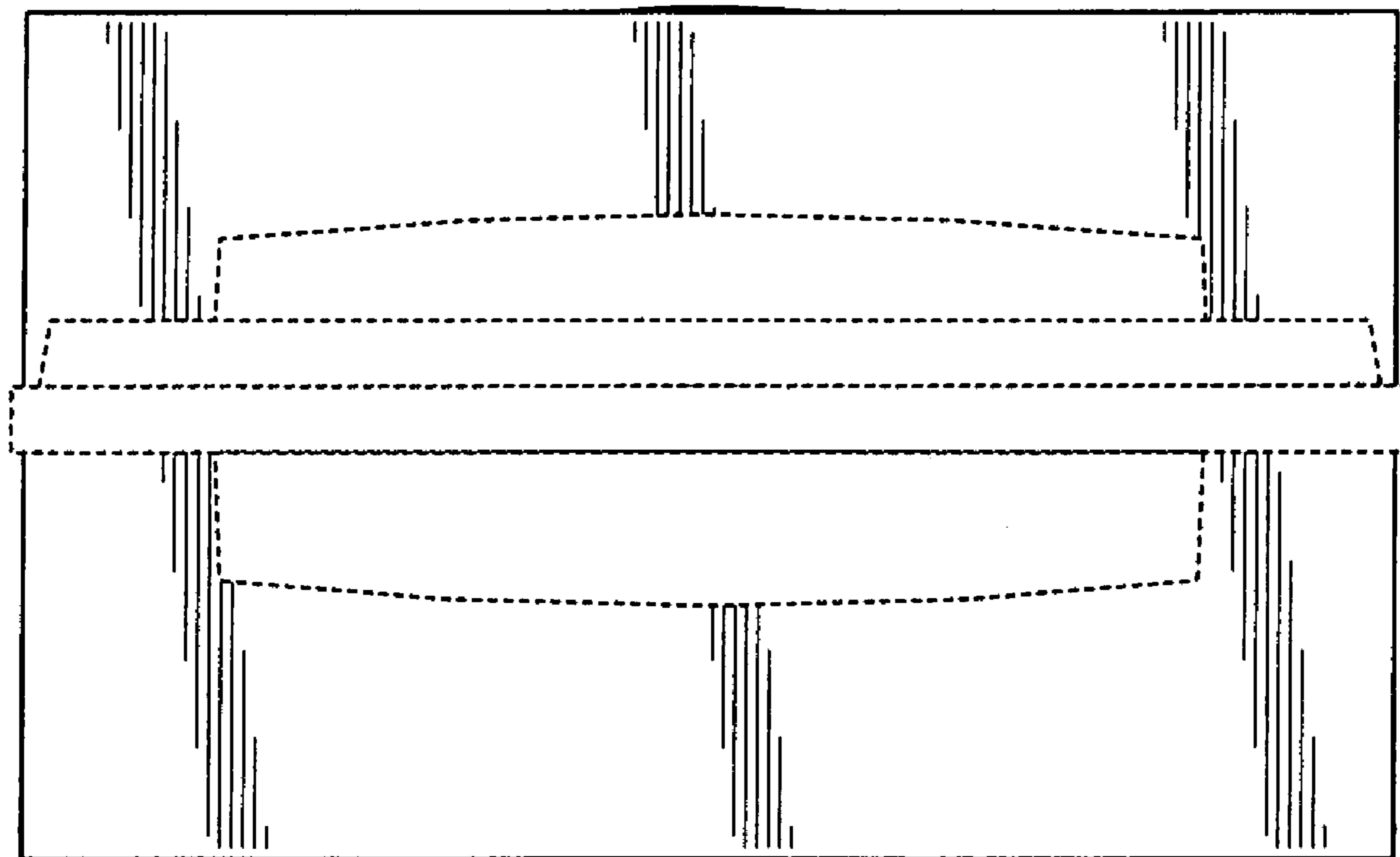
FIG. 2



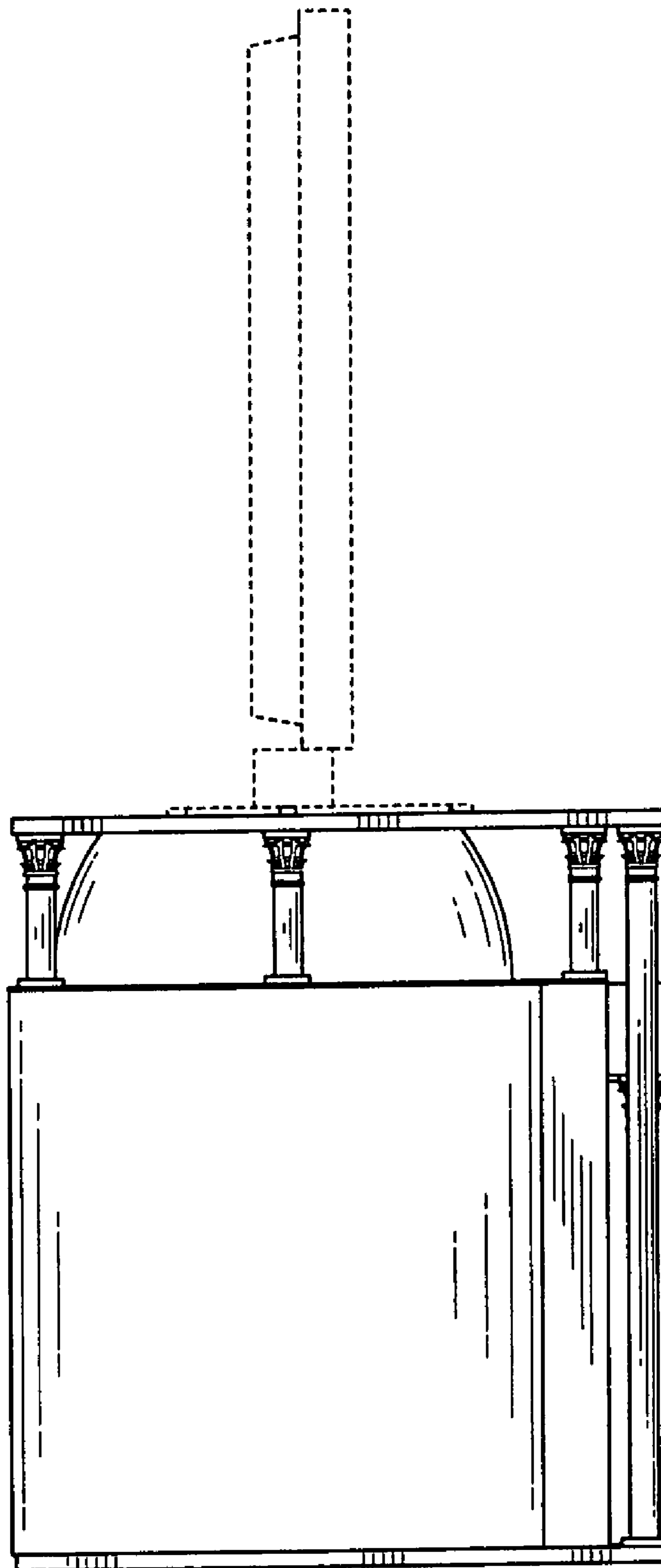
**FIG. 3**



**FIG. 4**



**FIG. 5**



**FIG. 6**