

US00D563687S

(12) **United States Design Patent**  
**Neil**

(10) **Patent No.:** **US D563,687 S**  
(45) **Date of Patent:** **\*\* Mar. 11, 2008**

(54) **CHAIR**

(75) Inventor: **Gary Neil**, Mississauga (CA)

(73) Assignee: **Allseating Corporation**, Mississauga (CA)

(\*\*) Term: **14 Years**

(21) Appl. No.: **29/274,755**

(22) Filed: **May 21, 2007**

(51) **LOC (8) Cl.** ..... **06-01**

(52) **U.S. Cl.** ..... **D6/366**

(58) **Field of Classification Search** ..... D6/334-335,  
D6/356, 364, 365, 366, 367, 368, 374, 379,  
D6/498, 500-502; 297/411.27, 452.21, 452.29,  
297/452.32, 452.35, 452.37, 452.48  
See application file for complete search history.

(56) **References Cited**

**U.S. PATENT DOCUMENTS**

D345,060 S *	3/1994	Duncan	.....	D6/366
D395,761 S *	7/1998	Saul	.....	D6/366
D395,762 S *	7/1998	Saul	.....	D6/366
D401,771 S *	12/1998	Goodworth et al.	.....	D6/366

D418,316 S *	1/2000	Vogtherr	.....	D6/366
D535,112 S *	1/2007	Bennett et al.	.....	D6/366
D535,830 S *	1/2007	Bennett et al.	.....	D6/366
D546,594 S *	7/2007	Kane et al.	.....	D6/500

\* cited by examiner

*Primary Examiner*—Mimosa De

(74) *Attorney, Agent, or Firm*—Miller Thomson LLP

(57) **CLAIM**

The ornamental design for the “chair,” as shown and described.

**DESCRIPTION**

FIG. 1 is a front perspective view of the chair.

FIG. 2 is a back perspective view of the chair.

FIG. 3 is a right side view of the chair.

FIG. 4 is a front view of the chair.

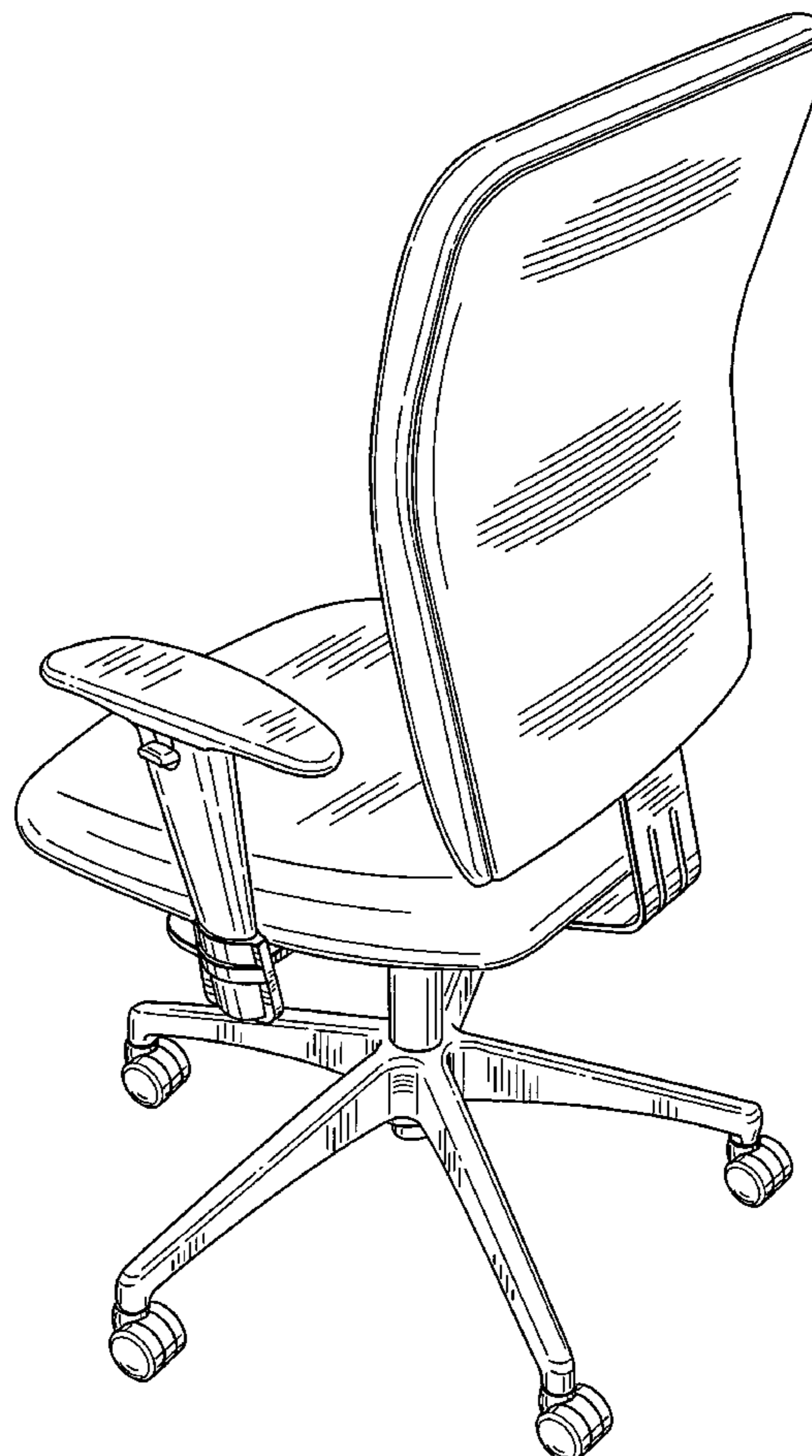
FIG. 5 is a left side view of the chair.

FIG. 6 is a back view of the chair.

FIG. 7 is a top view of the chair; and,

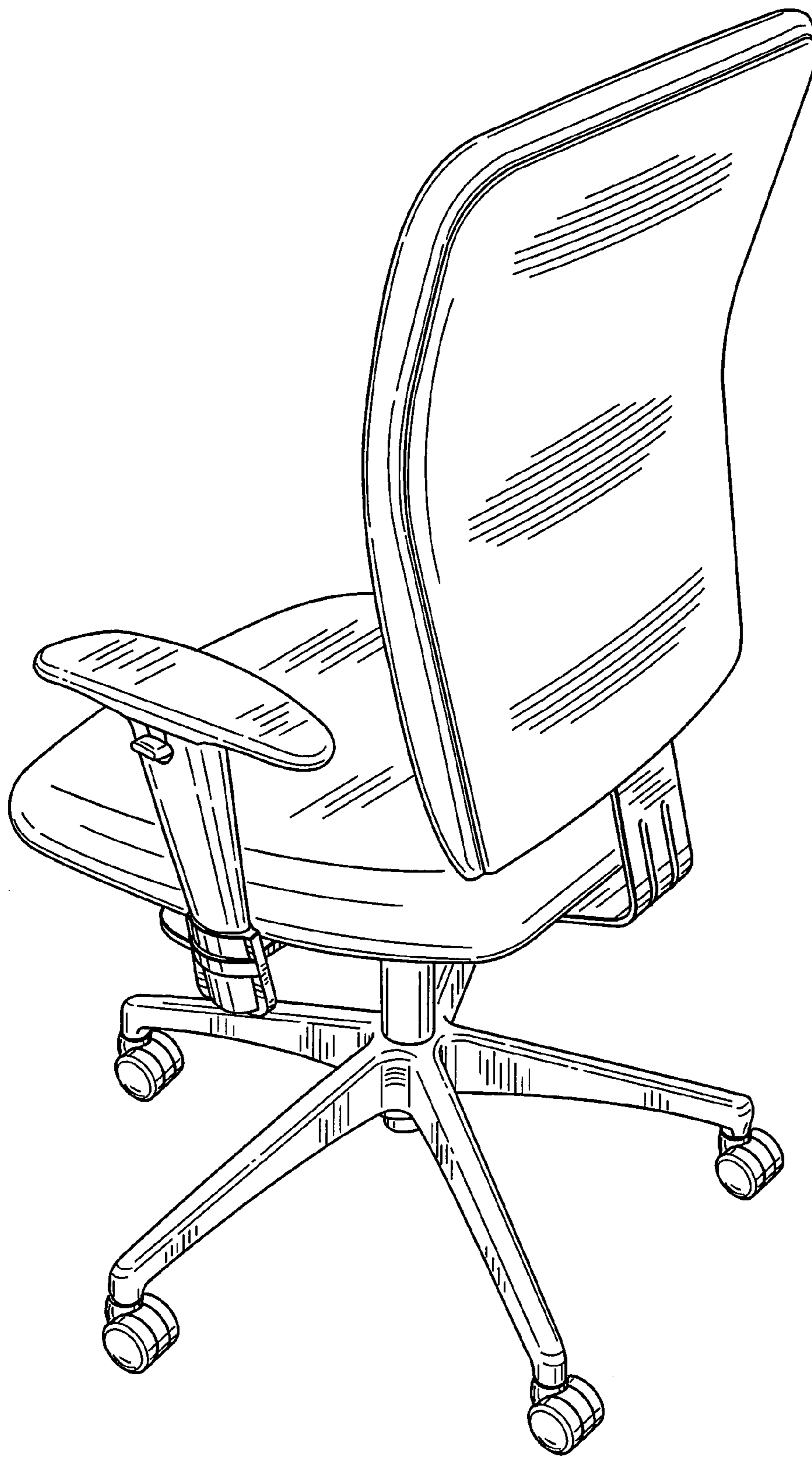
FIG. 8 is a bottom view of the chair.

**1 Claim, 8 Drawing Sheets**

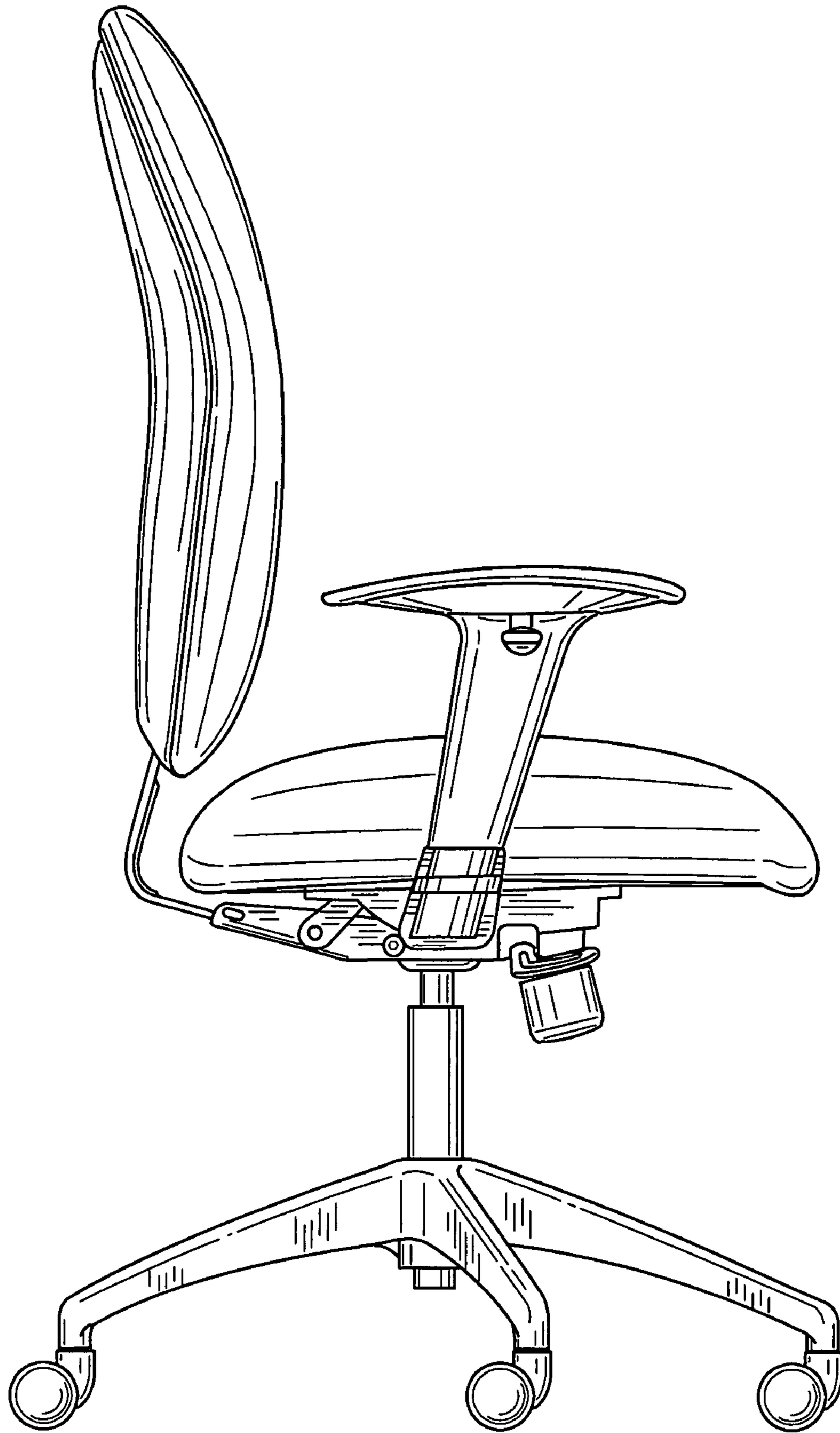




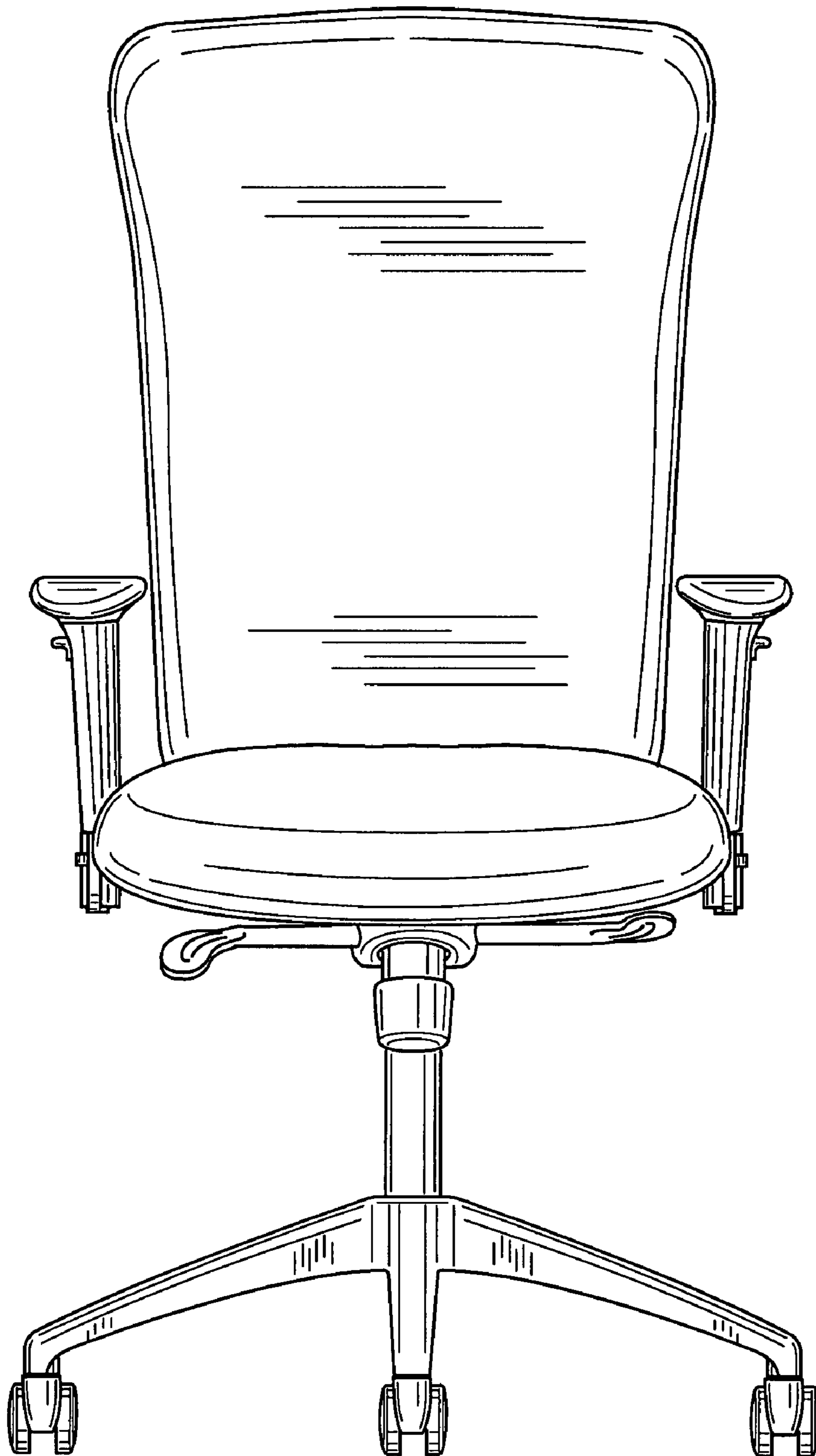
**FIG. 1**



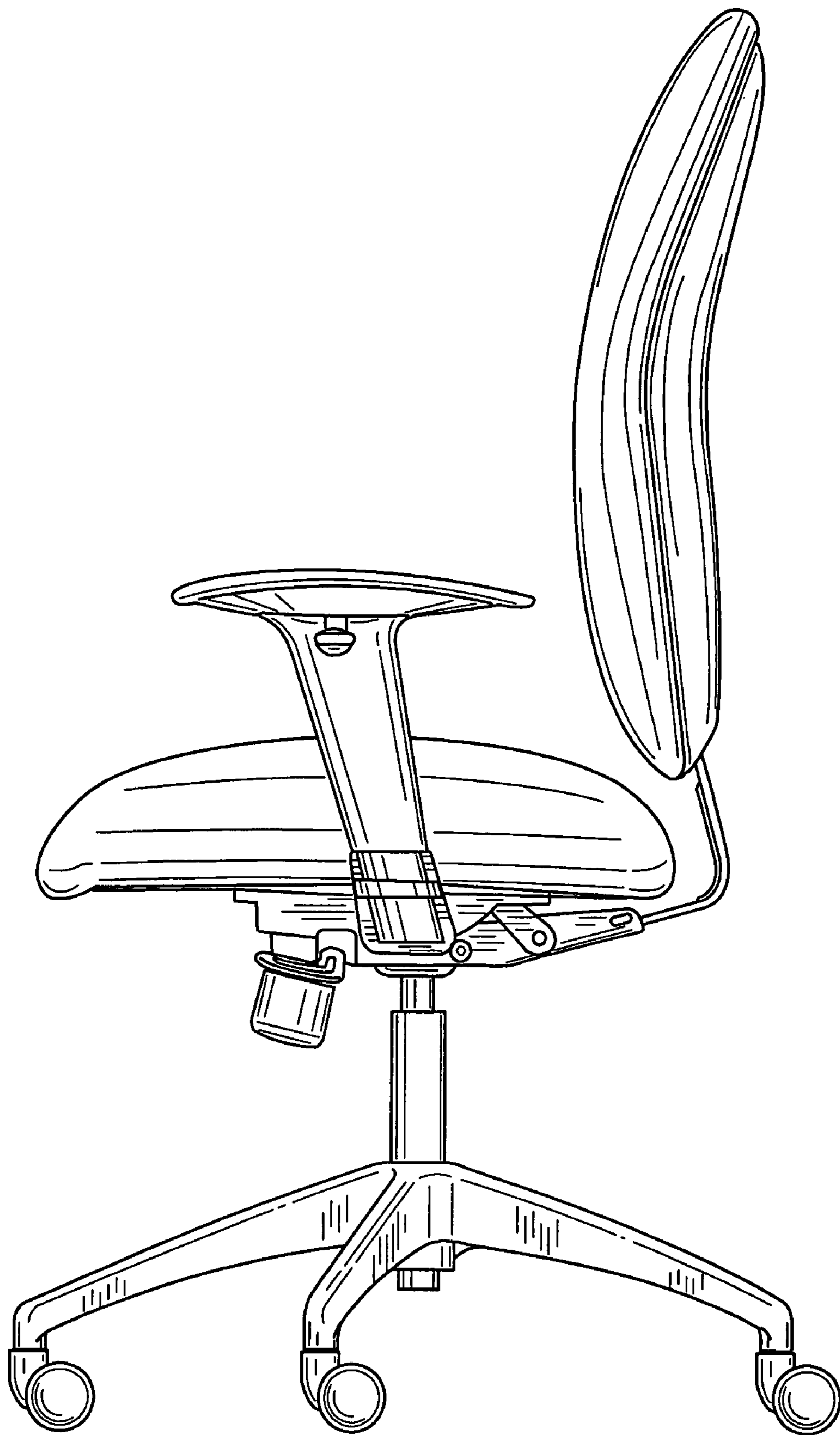
**FIG. 2**



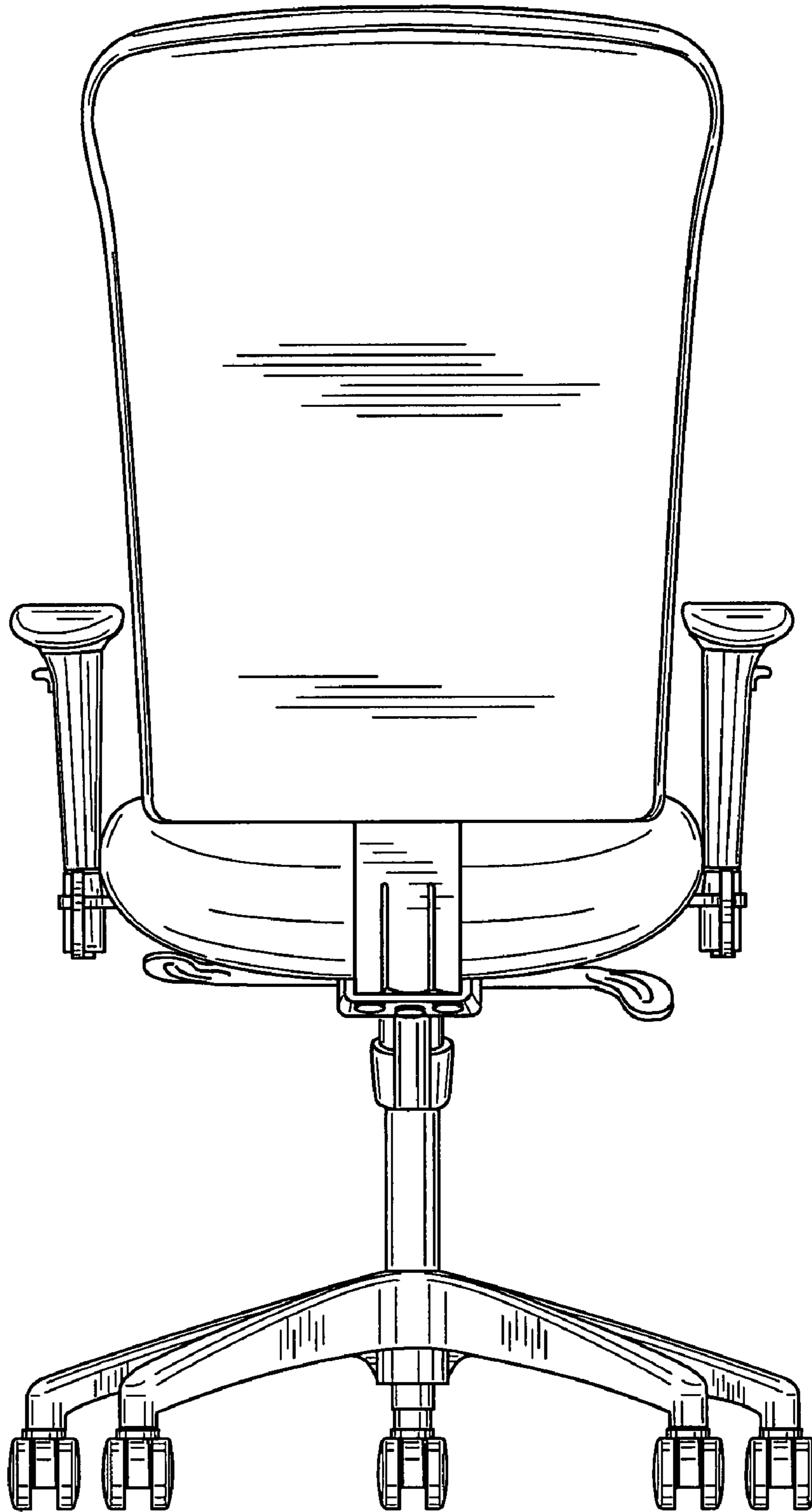
**FIG. 3**



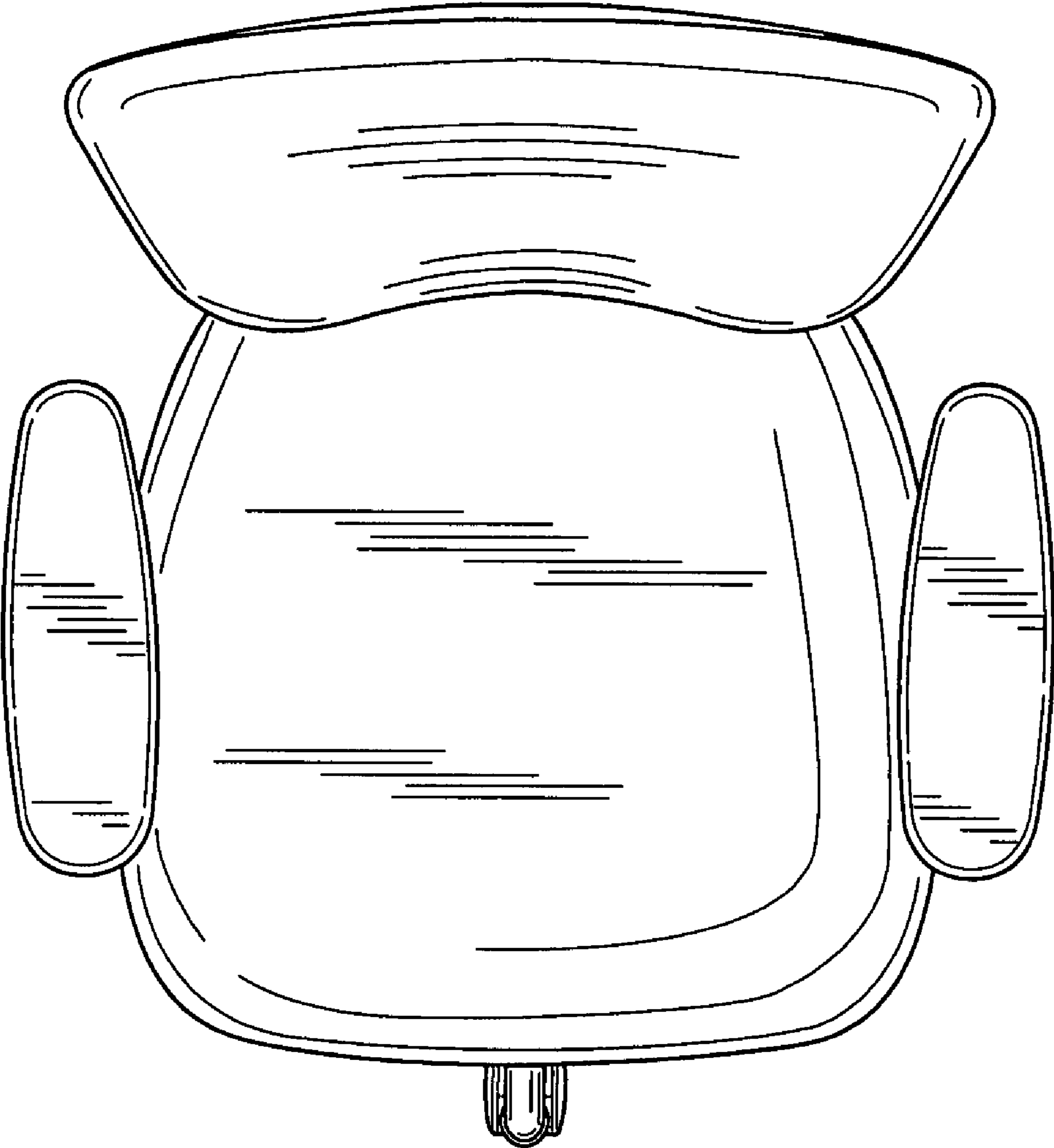
**FIG. 4**



**FIG. 5**

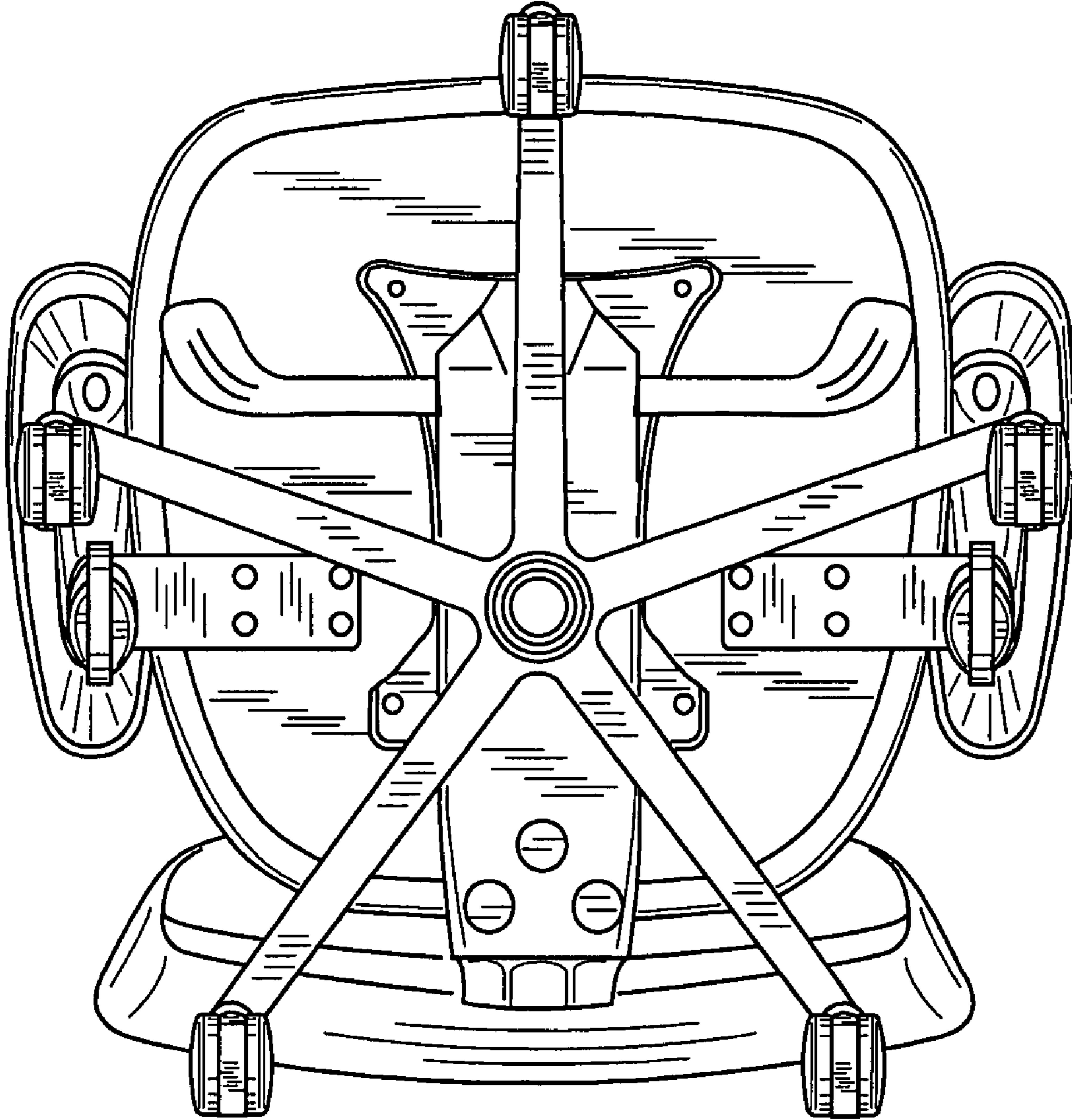


**FIG. 6**



**FIG. 7**





**FIG. 8**