



US00D563686S

(12) **United States Design Patent**  
**Raftery et al.**

(10) **Patent No.:** **US D563,686 S**  
(45) **Date of Patent:** **\*\* Mar. 11, 2008**

(54) **CHAIR**

D540,080 S \* 4/2007 Su ..... D6/502

(75) Inventors: **William Raftery**, Canton, OH (US);  
**John Heyder**, Orleans, IN (US)

FOREIGN PATENT DOCUMENTS

(73) Assignee: **HNI Technologies Inc.**, Muscatine, IA (US)

JP	D1133773	2/2002
KR	3020050009076	3/2005
KR	3020050025470	5/2006
TW	0453686	1/2001
TW	D105183	6/2005
TW	D110925	5/2006
TW	D114033	12/2006

(\*\*) Term: **14 Years**

(21) Appl. No.: **29/240,617**

OTHER PUBLICATIONS

(22) Filed: **Oct. 14, 2005**

Three images of the "Seven Five" chair by Paoli, Inc.  
Search Report for Taiwan Design Patent Application No. 95301803,  
Feb. 8, 2007, 1 page.

(51) **LOC (8) Cl.** ..... **06-01**

(52) **U.S. Cl.** ..... **D6/366**

(58) **Field of Classification Search** ..... D6/334-336,  
D6/364, 365, 366, 367, 369, 379, 380, 500-502;  
297/411.2, 411.27, 411.36, 452.13, 452.59,  
297/452.64

\* cited by examiner

*Primary Examiner*—Mimosa De  
(74) *Attorney, Agent, or Firm*—Faegre & Benson, LLP

See application file for complete search history.

(57) **CLAIM**

(56) **References Cited**

The ornamental design for a chair, as shown and described.

U.S. PATENT DOCUMENTS

**DESCRIPTION**

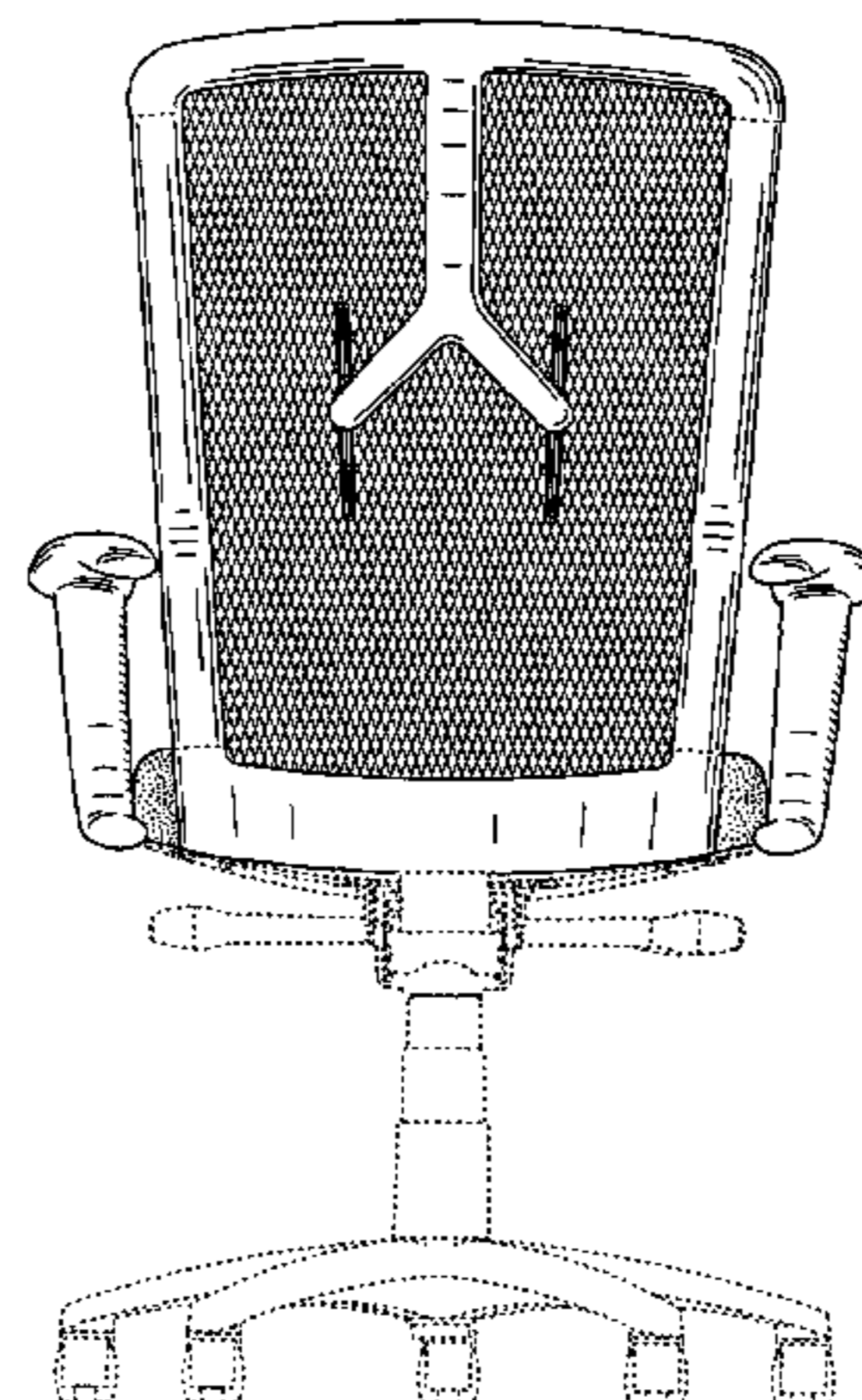
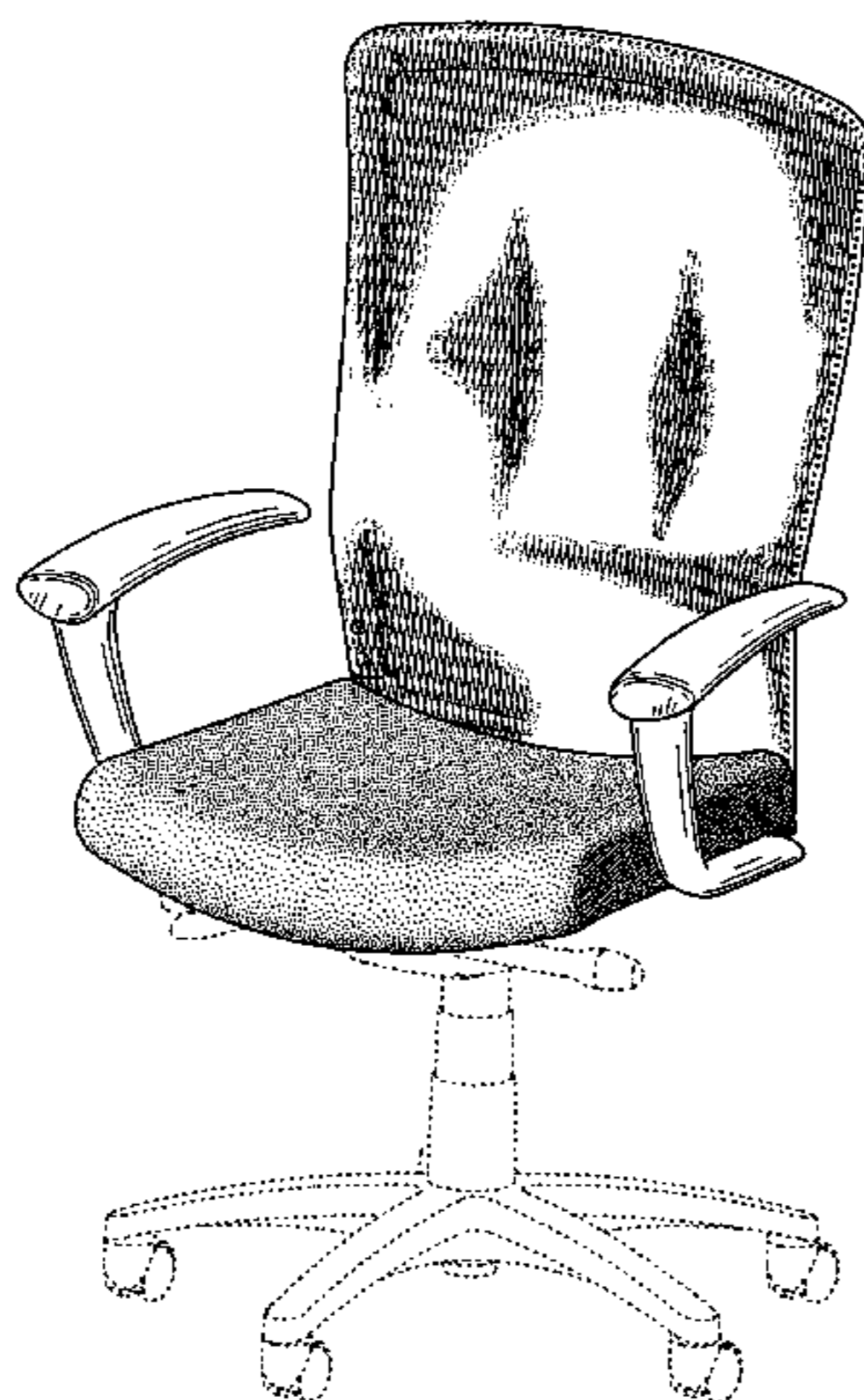
D349,195 S	8/1994	Hess	
D356,696 S	3/1995	Arthur, Jr.	
D359,174 S	6/1995	Arthur, Jr.	
D366,793 S	2/1996	Barile	
D369,686 S	5/1996	Martin	
D408,644 S	4/1999	Muller	
D413,739 S	9/1999	Wilson	
D436,750 S	1/2001	Tseng	
D445,579 S *	7/2001	Olson	D6/366
D451,293 S *	12/2001	Su	D6/366
D454,736 S	3/2002	Swy et al.	
D456,626 S *	5/2002	Su	D6/366
D466,320 S	12/2002	Tobin, Jr.	
D477,151 S *	7/2003	Koepke et al.	D6/366
D479,416 S	9/2003	Raftery	
D483,583 S	12/2003	Raftery	
D485,097 S	1/2004	Raftery	
6,848,744 B1	2/2005	Raftery et al.	
D507,134 S *	7/2005	Raftery	D6/502
D511,418 S *	11/2005	Breen	D6/366
D540,079 S *	4/2007	Bock	D6/502

FIG. 1 is an isometric view of an ornamental design of a first embodiment of a chair showing our new design;  
FIG. 2 is a front orthographic view thereof;  
FIG. 3 is a rear orthographic view thereof;  
FIG. 4 is a right side orthographic view thereof;  
FIG. 5 is a left side orthographic view thereof;  
FIG. 6 is a top orthographic view thereof; and,  
FIG. 7 is a bottom orthographic view thereof.

The broken lines shown in FIGS. 1-7 are for illustrative purpose only and form no part of the claimed design.

The fragmented crosshatching shown on the front backrest member in FIGS. 1 and 2 is understood to represent mesh fabric and would be continuous throughout the circumscribed areas.

**1 Claim, 6 Drawing Sheets**



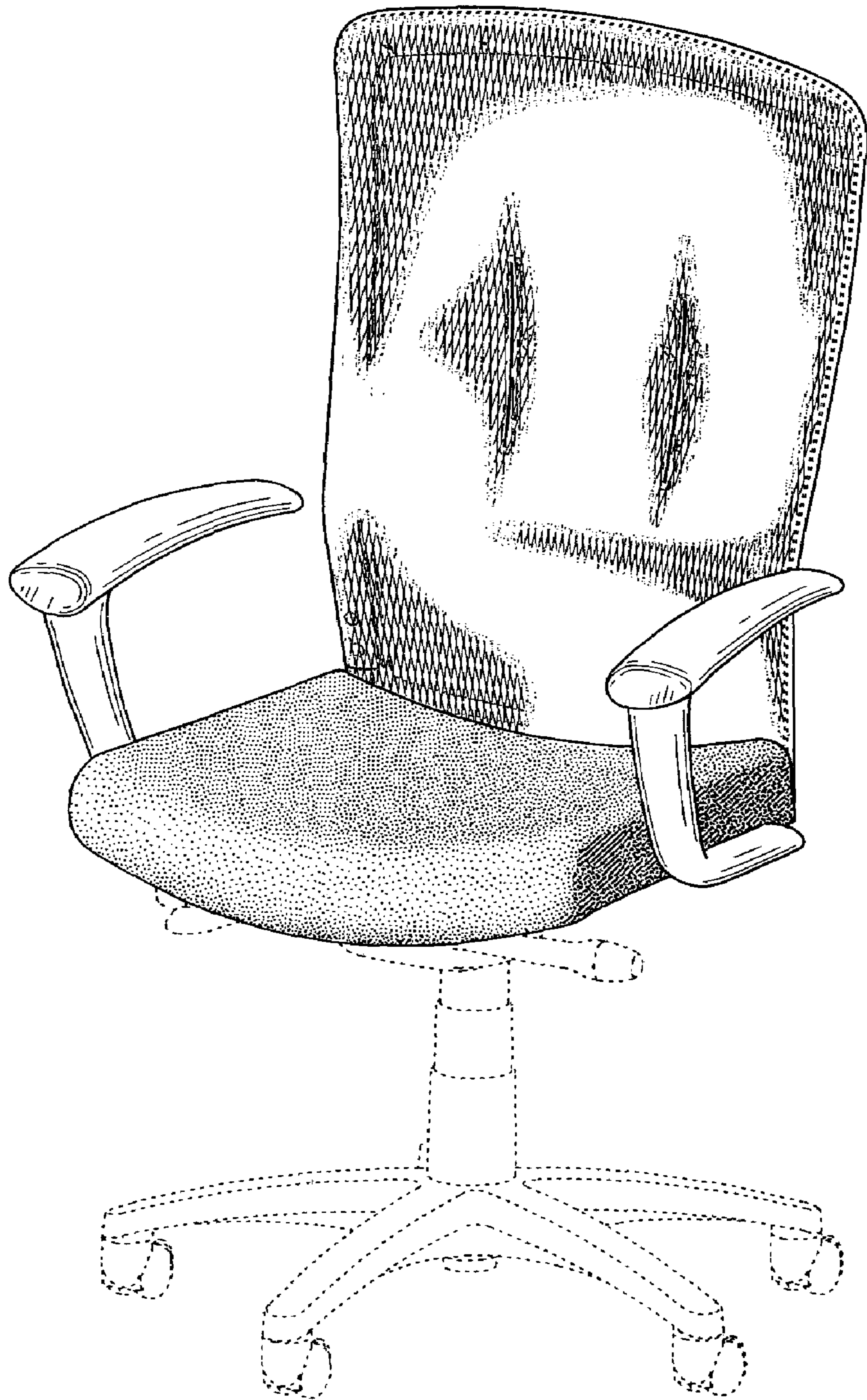


FIG. 1

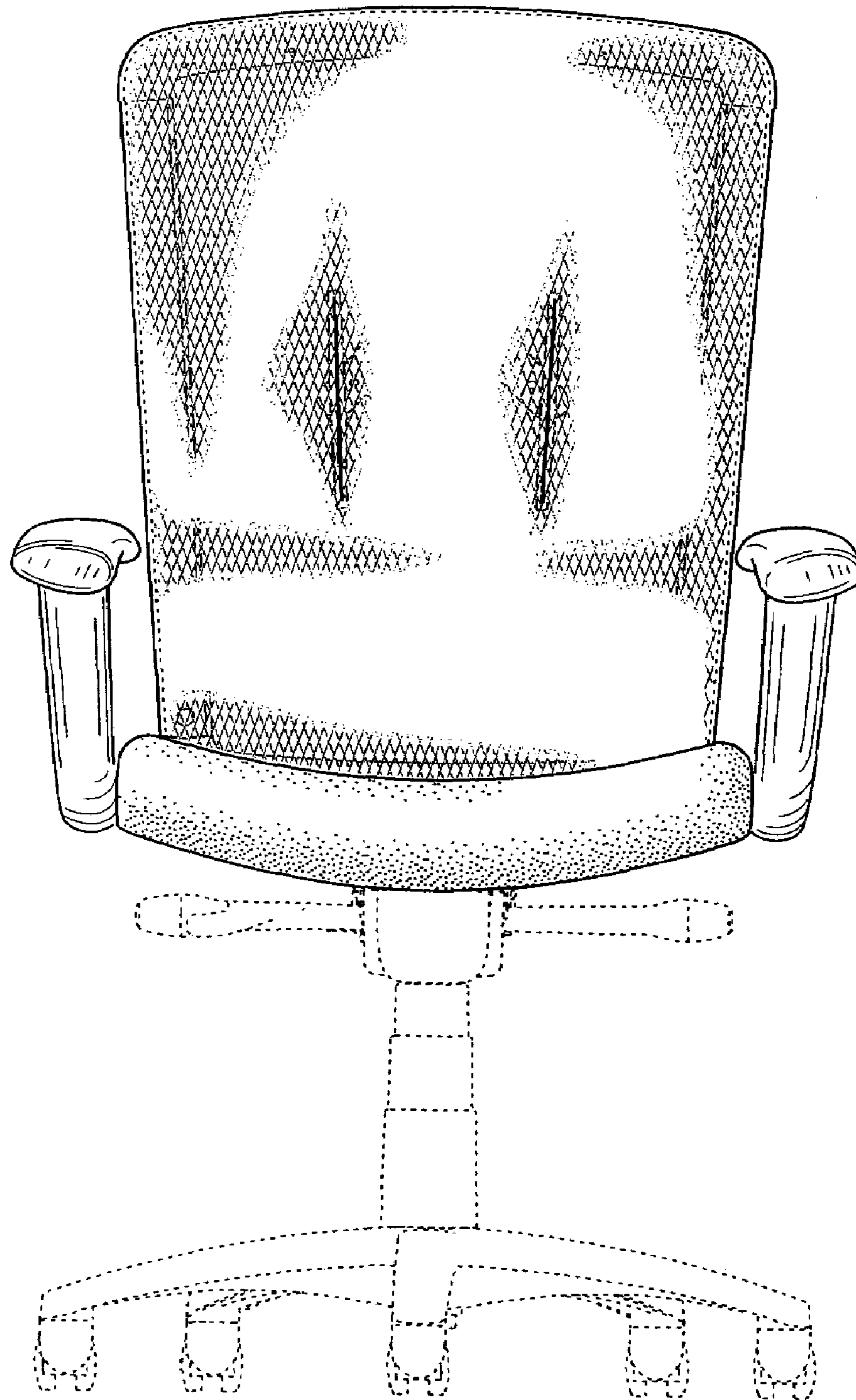


FIG. 2

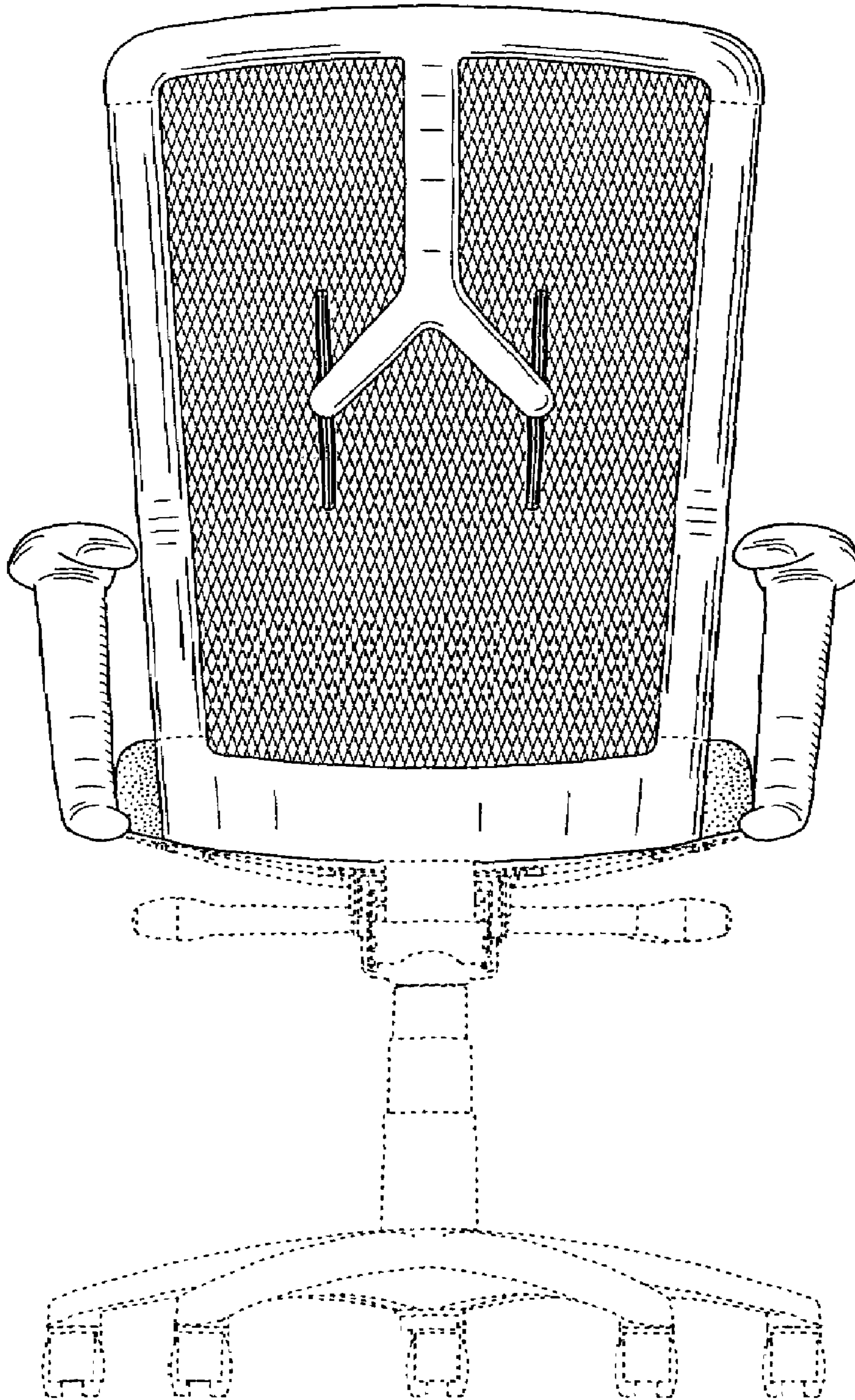


FIG. 3

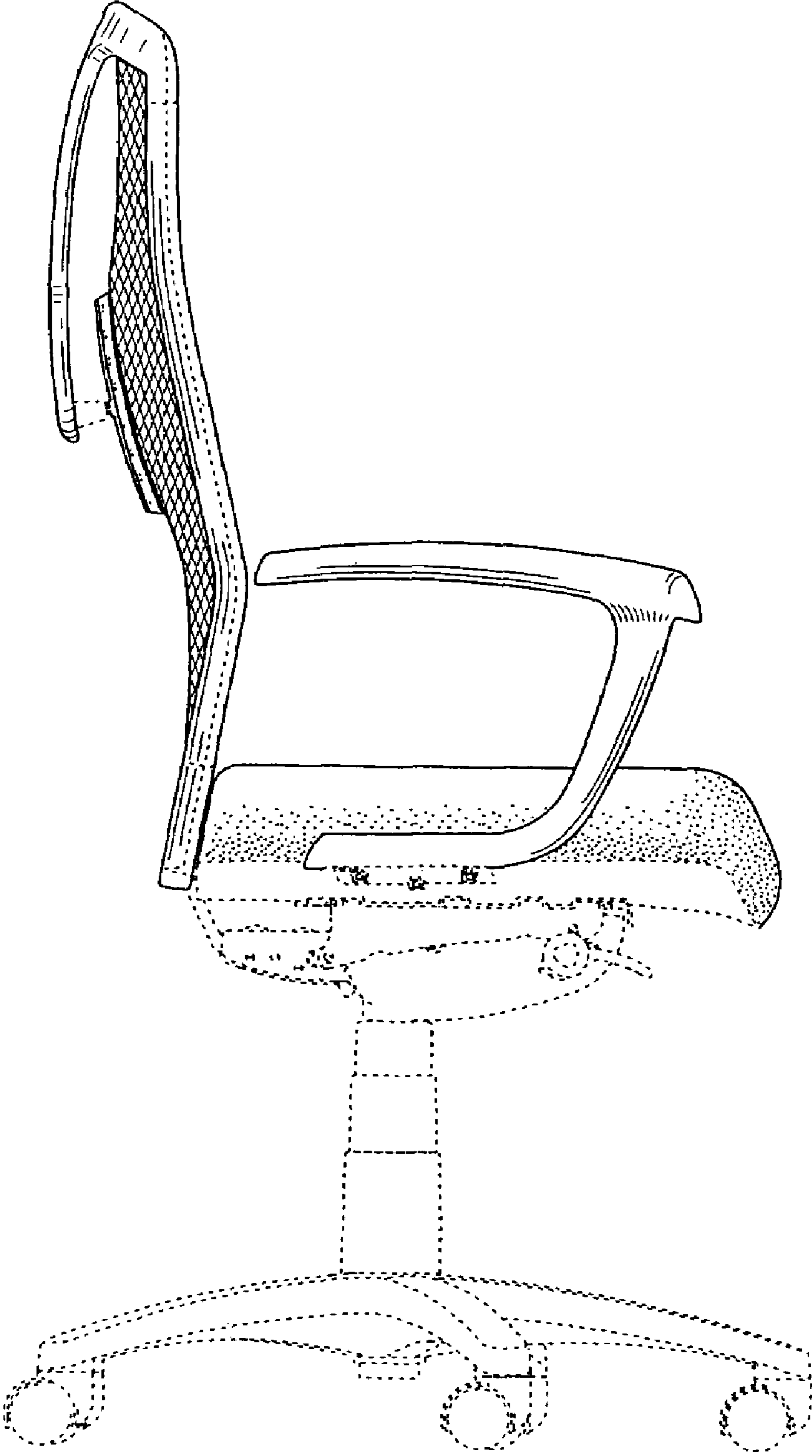


FIG. 4

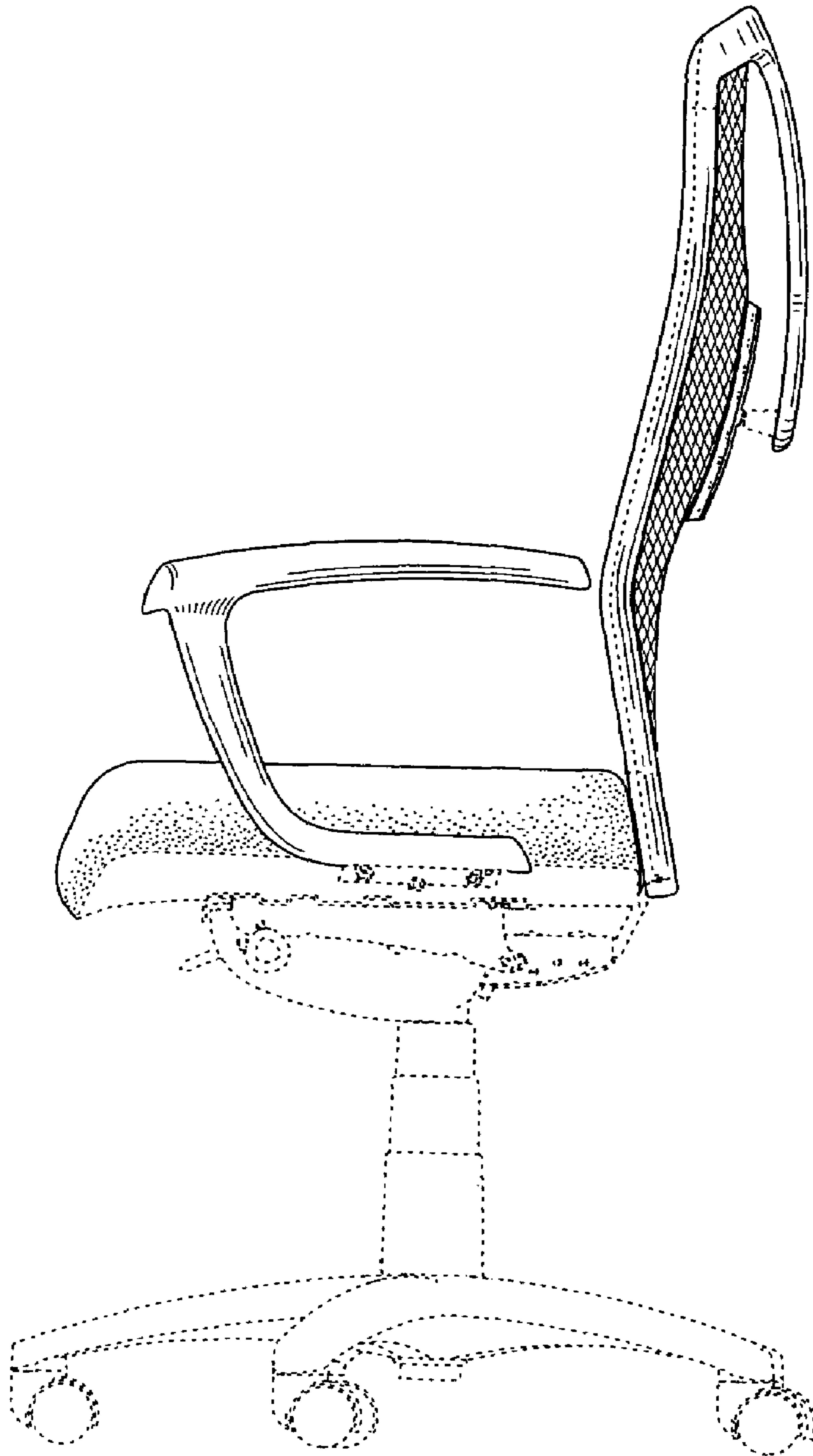


FIG. 5

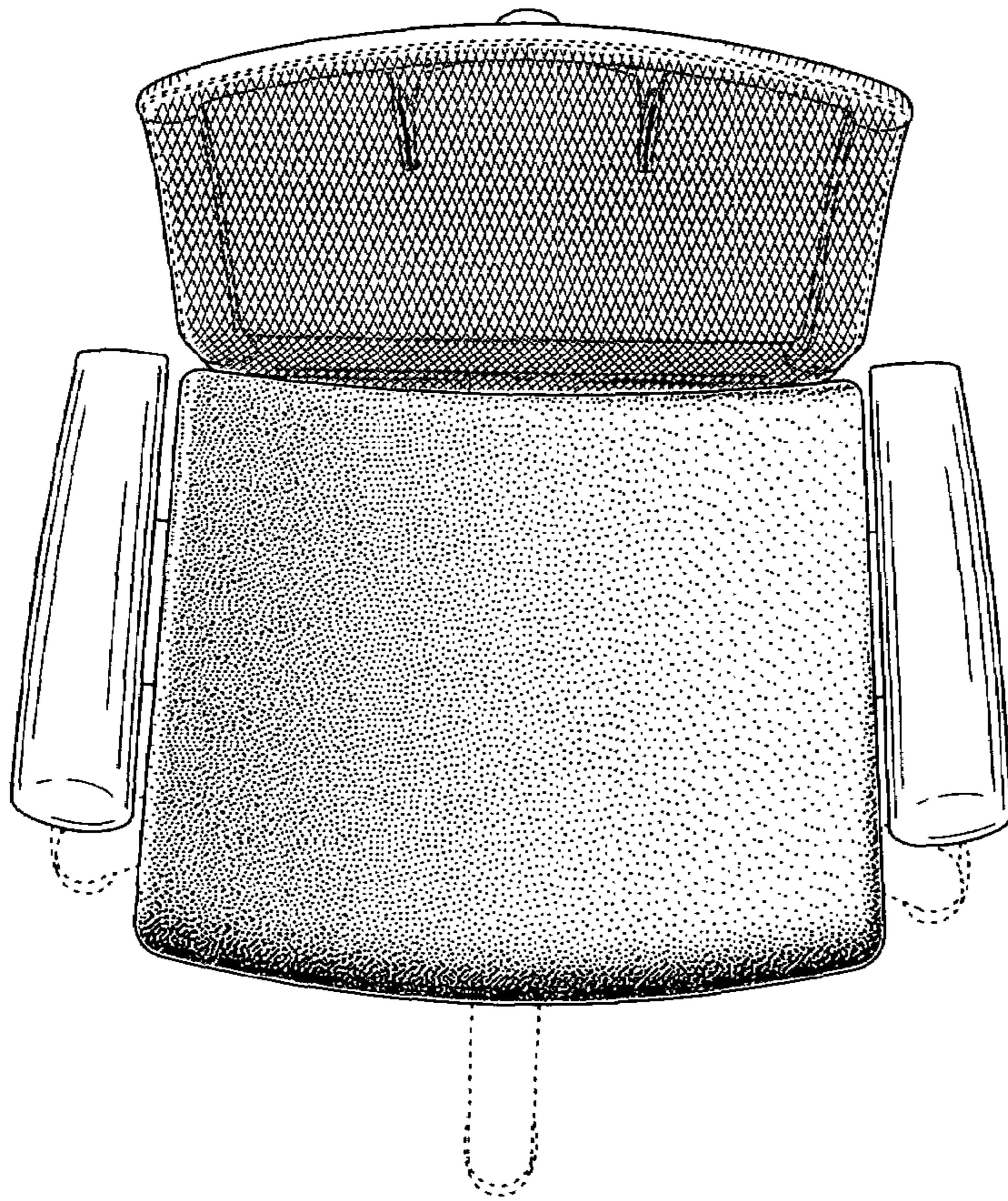


FIG. 6

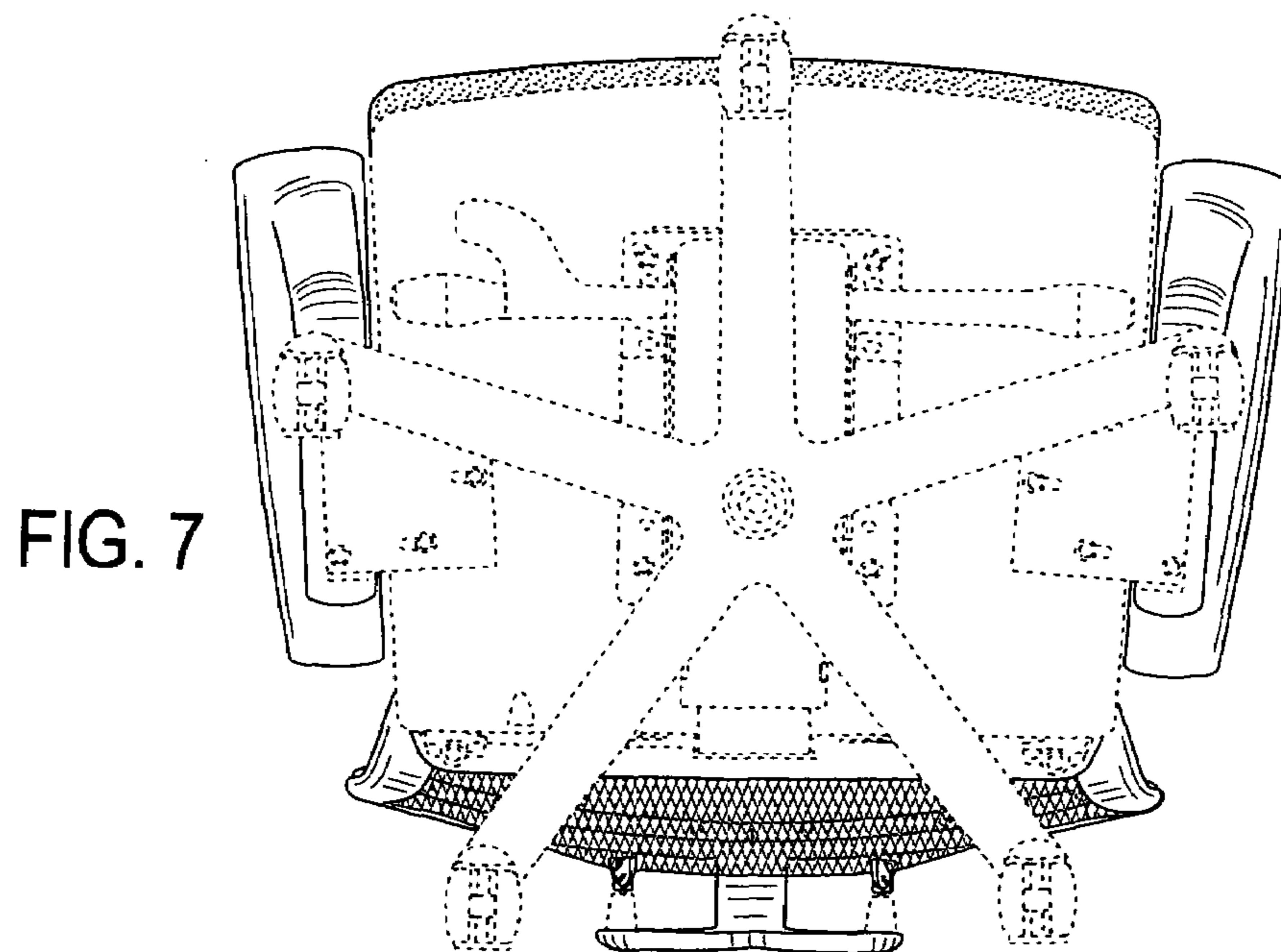


FIG. 7