

US00D563684S

(12) **United States Design Patent**
Starck

(10) **Patent No.:** **US D563,684 S**

(45) **Date of Patent:** **** Mar. 11, 2008**

(54) **HIGH CHAIR WITH REMOVABLE SEAT COVER, REMOVABLE TRAY AND REMOVABLE OVER-TRAY**

6,293,623 B1 * 9/2001 Kain et al. 297/423.25
D451,689 S * 12/2001 Chen et al. D6/339
6,550,857 B1 * 4/2003 Canton 297/132
2006/0214476 A1 * 9/2006 Rojas 297/3

(76) Inventor: **Philippe Starck**, 18-20 rue du
Faubourg du Temple, Paris (FR) 75011

* cited by examiner

(**) Term: **14 Years**

Primary Examiner—T. Chase Nelson

Assistant Examiner—Karen Acker

(21) Appl. No.: **29/245,402**

(74) *Attorney, Agent, or Firm*—Andrew Wilford

(22) Filed: **Dec. 22, 2005**

(57) **CLAIM**

(51) **LOC (8) Cl.** **06-01**

The ornamental design for a high chair with removable seat cover, removable tray and removable over-tray, as shown and described.

(52) **U.S. Cl.** **D6/333**

(58) **Field of Classification Search** D6/333,

D6/338, 339, 502; 297/1–3, 24, 27, 61, 68,
297/69, 118, 119, 130, 136, 148, 153, 170–173,
297/174 R, 174 CS, 256.1, 344.14

See application file for complete search history.

DESCRIPTION

(56) **References Cited**

FIG. 1 is a front perspective view of a high chair with removable seat cover, removable tray and removable over-tray, showing my new design;

FIG. 2 is a front elevational view thereof;

FIG. 3 is a top perspective view thereof;

FIG. 4 is a left-side perspective view thereof;

FIG. 5 is a right-side perspective view thereof;

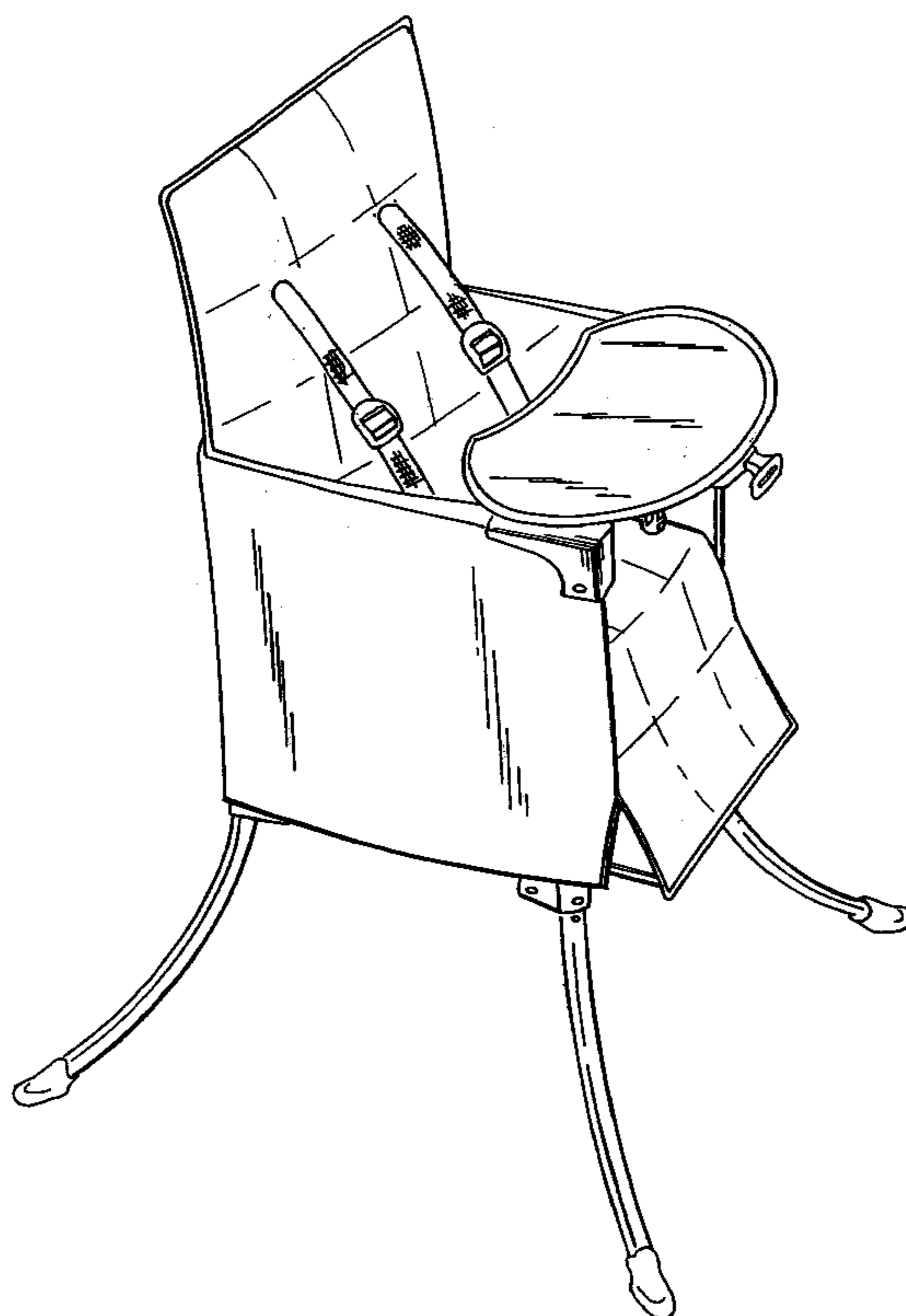
FIG. 6 is a bottom plan view thereof; and,

FIG. 7 is a rear elevational view thereof.

U.S. PATENT DOCUMENTS

223,109 A * 12/1879 Brick 297/131
1,943,037 A * 1/1934 Overbey 297/38
2,284,498 A * 5/1942 Tucker 297/39
2,627,300 A * 2/1953 Wohler et al. 297/46
2,816,598 A * 12/1957 Shone 297/40
3,269,771 A * 8/1966 Erdos 297/132
4,008,918 A * 2/1977 Cooper et al. 297/16.1
D397,264 S * 8/1998 Joseph D6/502

1 Claim, 7 Drawing Sheets



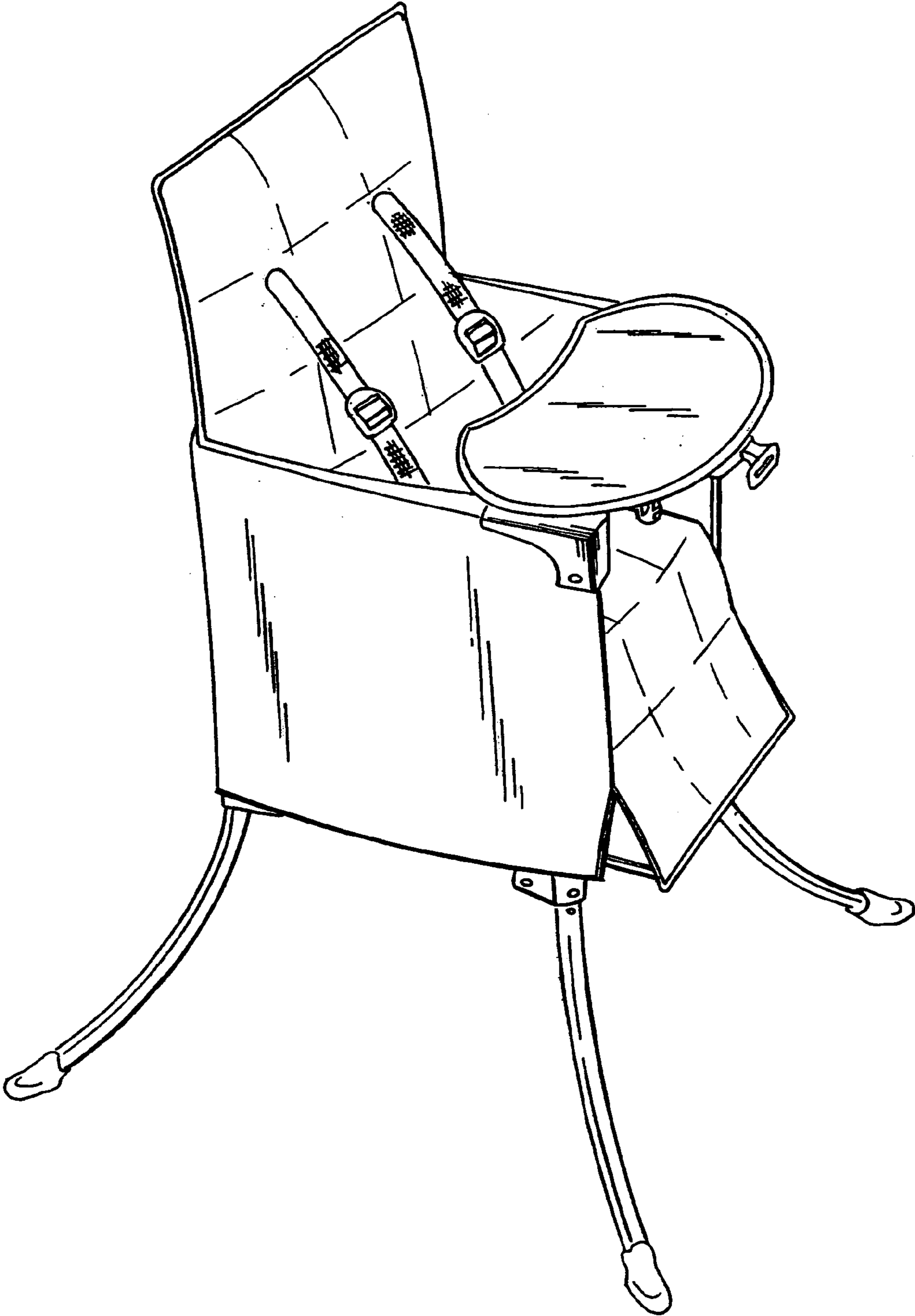


FIG.1

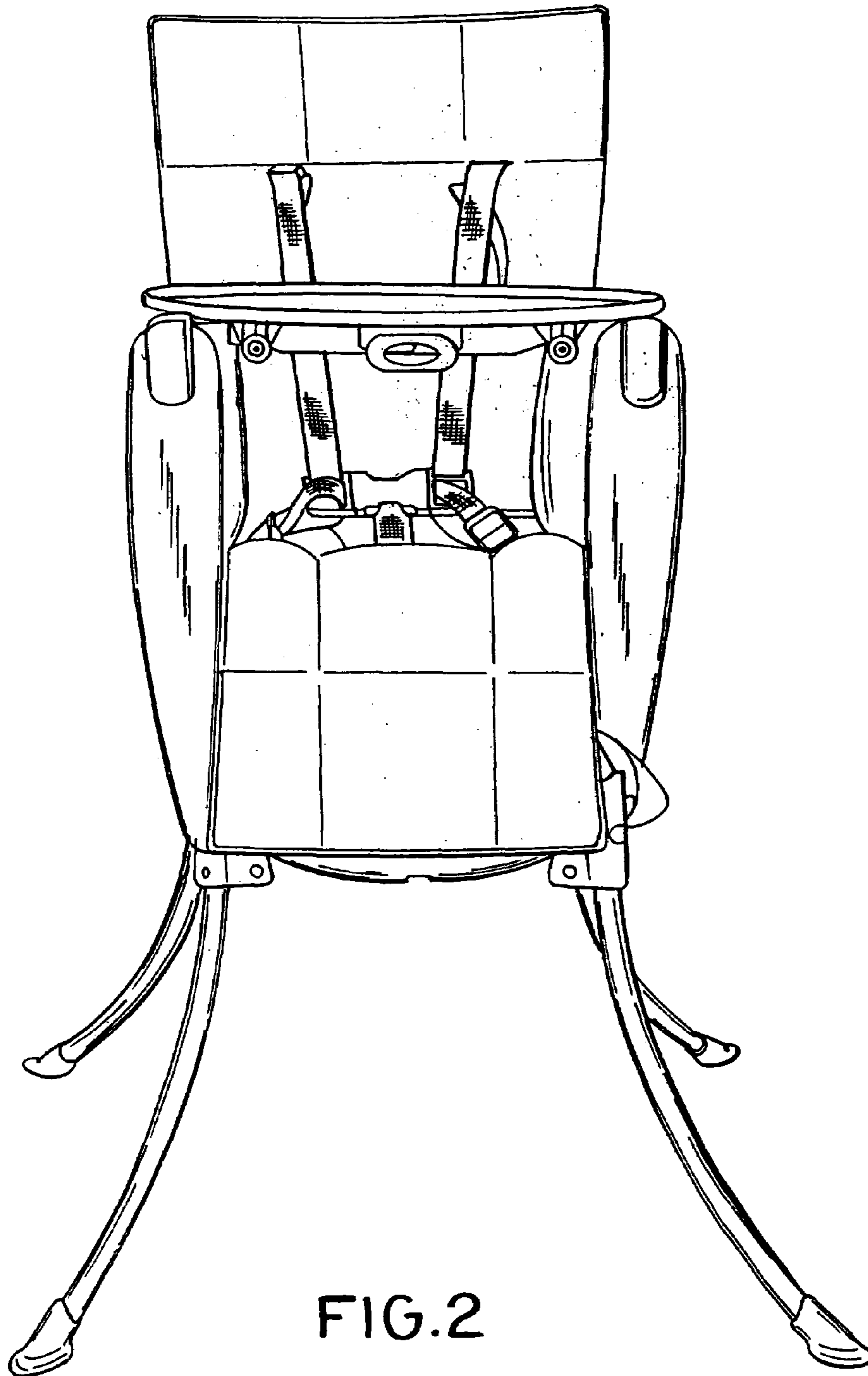


FIG. 2

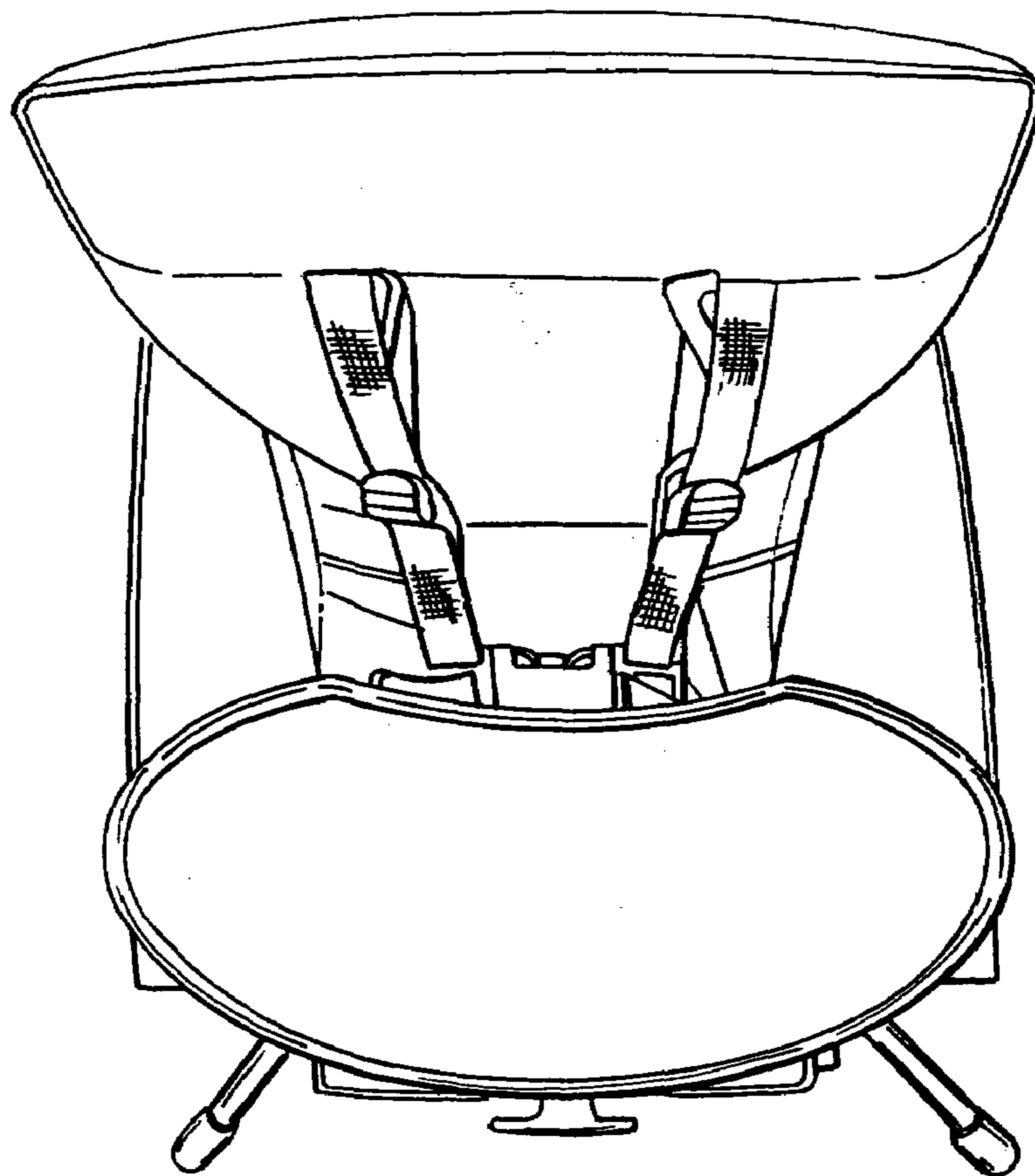


FIG. 3

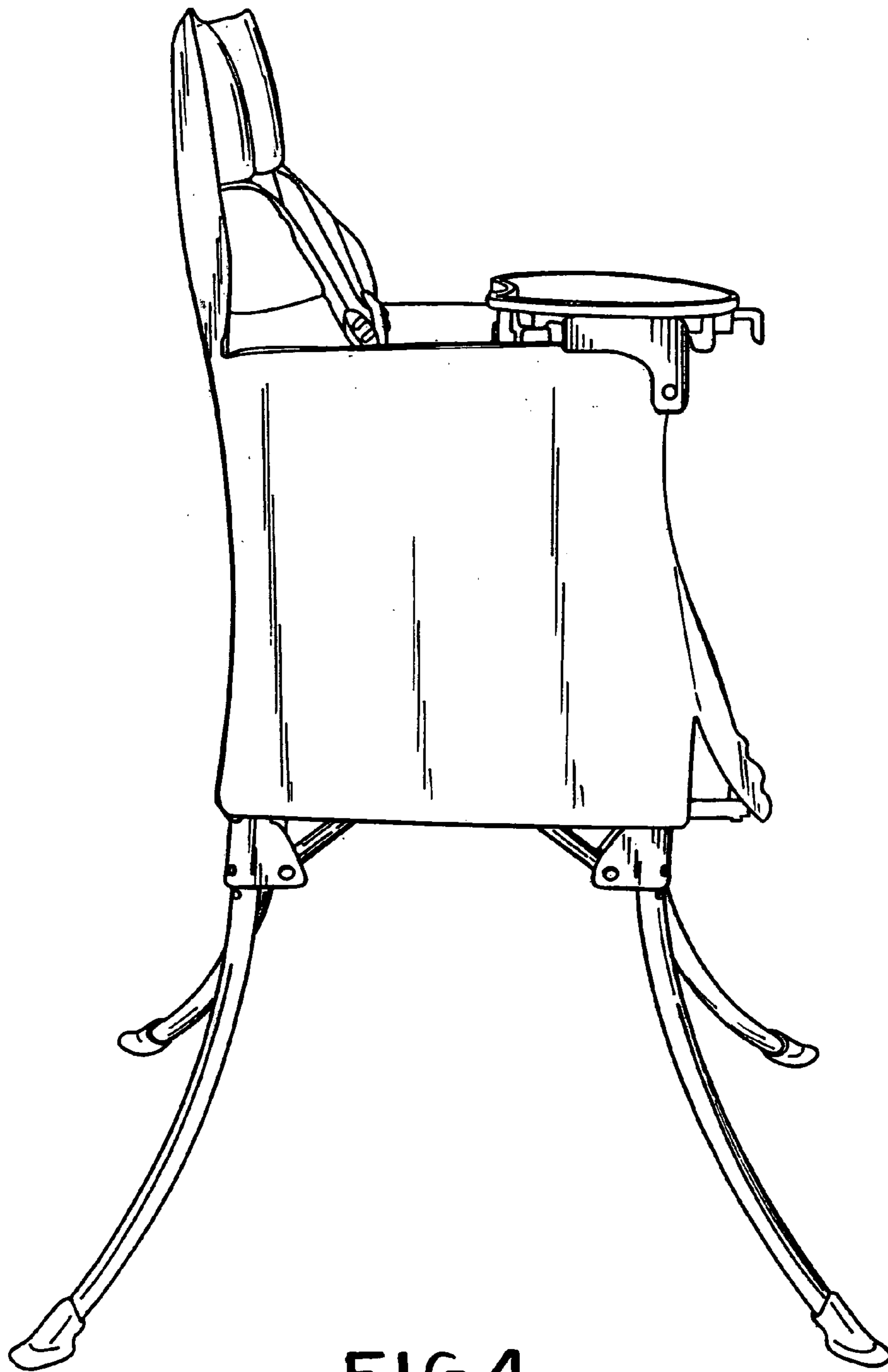


FIG. 4

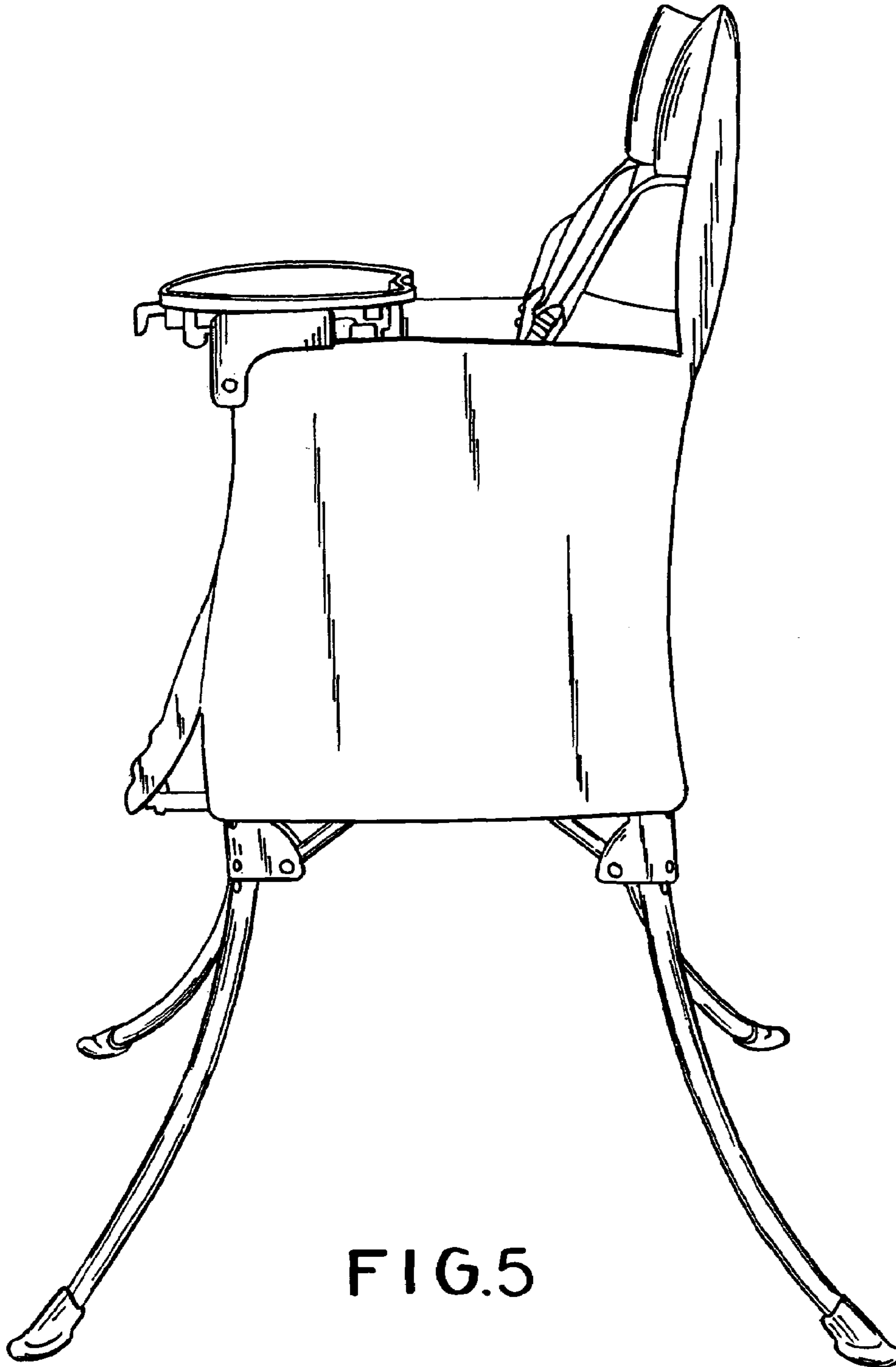


FIG. 5

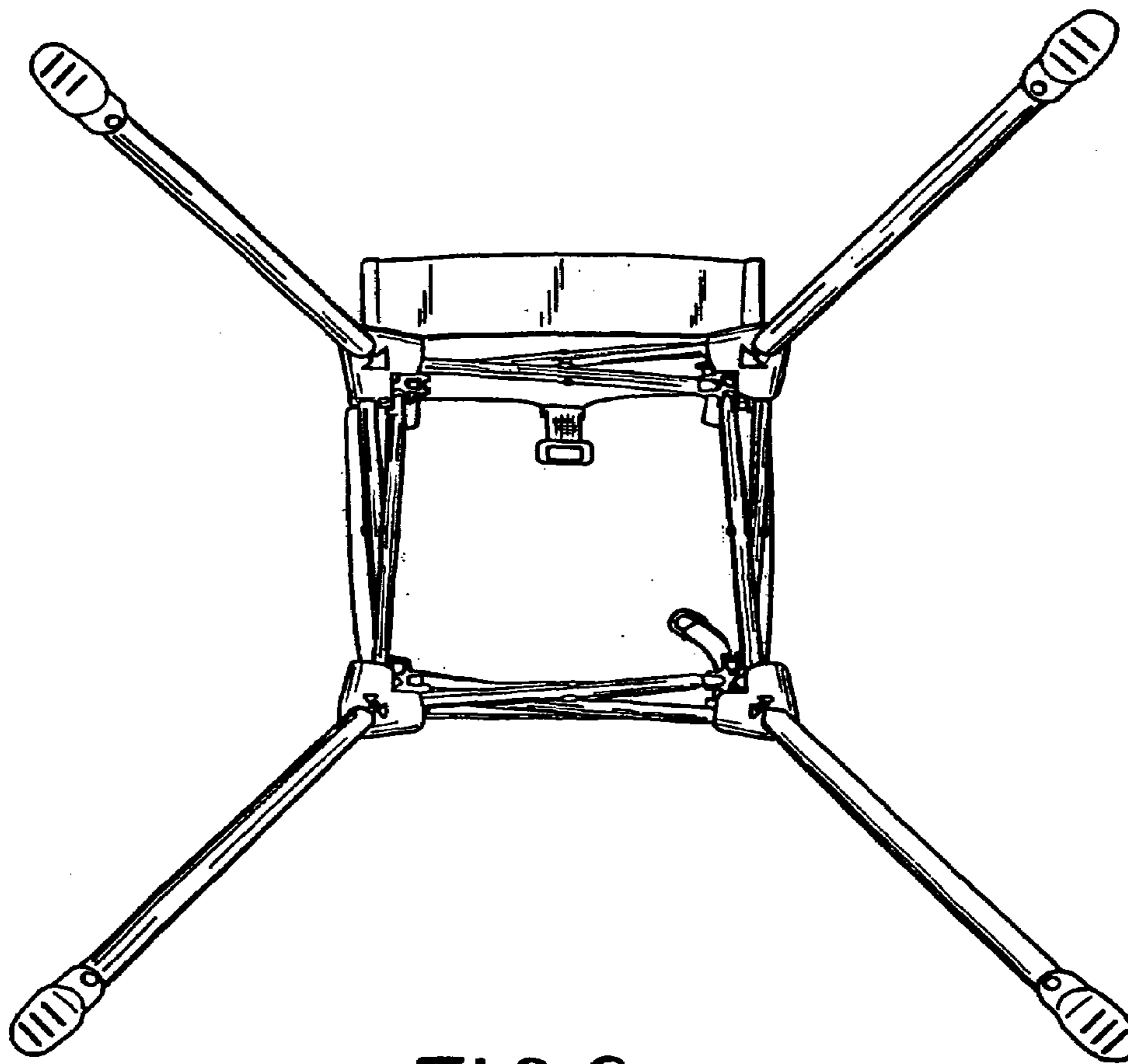


FIG. 6

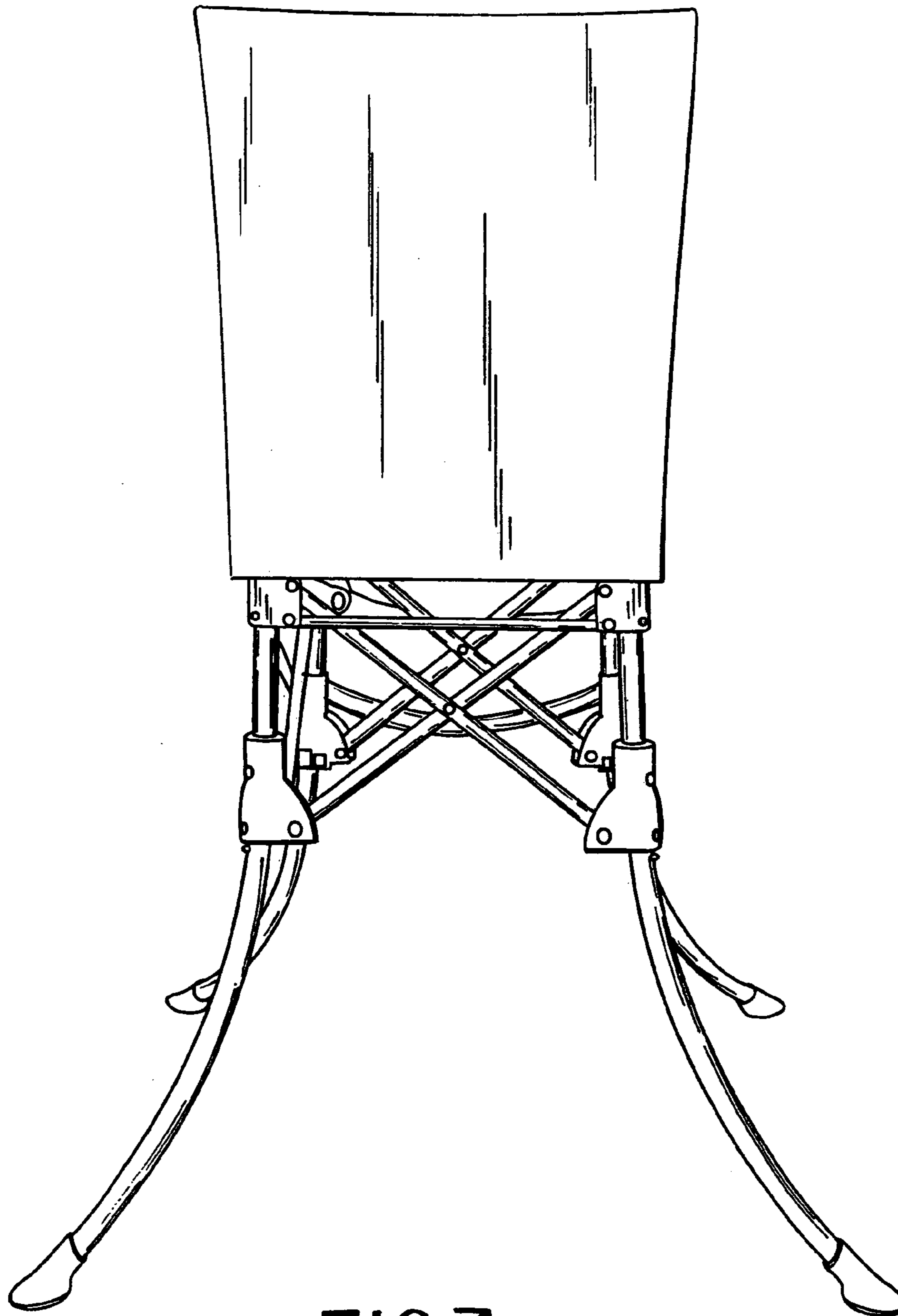


FIG.7