

US00D563683S

(12) **United States Design Patent**
Barker

(10) **Patent No.:** **US D563,683 S**
(45) **Date of Patent:** **** Mar. 11, 2008**

(54) **CLOTHING HANGER**

(75) Inventor: **Gary Barker**, Oakland, CA (US)

(73) Assignee: **GreenHeart Global LLC**, Oakland, CA (US)

(**) Term: **14 Years**

(21) Appl. No.: **29/288,319**

(22) Filed: **Jun. 7, 2007**

(51) **LOC (8) Cl.** **06-08**

(52) **U.S. Cl.** **D6/319**

(58) **Field of Classification Search** D6/315,
D6/317, 318, 319, 327, 328; 223/85-98;
211/13.1, 85.3, 113; 248/309.1, 317; D9/457
See application file for complete search history.

(56) **References Cited**

U.S. PATENT DOCUMENTS

3,065,946	A *	11/1962	Berkow	248/317
3,459,348	A *	8/1969	Masson	223/87
3,997,091	A *	12/1976	Burnette	223/87
D249,008	S *	8/1978	Levitt	D6/327
D254,644	S *	4/1980	Abramowitz	D6/315
D264,789	S *	6/1982	Zyla et al.	D6/315
D342,613	S *	12/1993	Ackerman	D6/327

5,429,284	A *	7/1995	Kolton et al.	223/85
D364,279	S *	11/1995	Hoffman	D6/319
5,857,597	A *	1/1999	Kolton	223/85
D517,917	S *	3/2006	Sethi et al.	D9/457
D548,982	S *	8/2007	Chernicoff et al.	D6/318

* cited by examiner

Primary Examiner—Stella M. Reid

Assistant Examiner—Shanda C. Hill

(74) *Attorney, Agent, or Firm*—Stuart J. Friedman

(57) **CLAIM**

The ornamental design for a clothing hanger, as shown and described.

DESCRIPTION

FIG. 1 is a top plan view of a clothing hanger showing my new design;

FIG. 2 is a left side elevational view thereof;

FIG. 3 is a front elevational view thereof, the rear elevational view being a mirror image thereto;

FIG. 4 is a right side elevational view thereof;

FIG. 5 is a bottom plan view thereof; and,

FIG. 6 is an enlarged perspective view thereof.

1 Claim, 1 Drawing Sheet

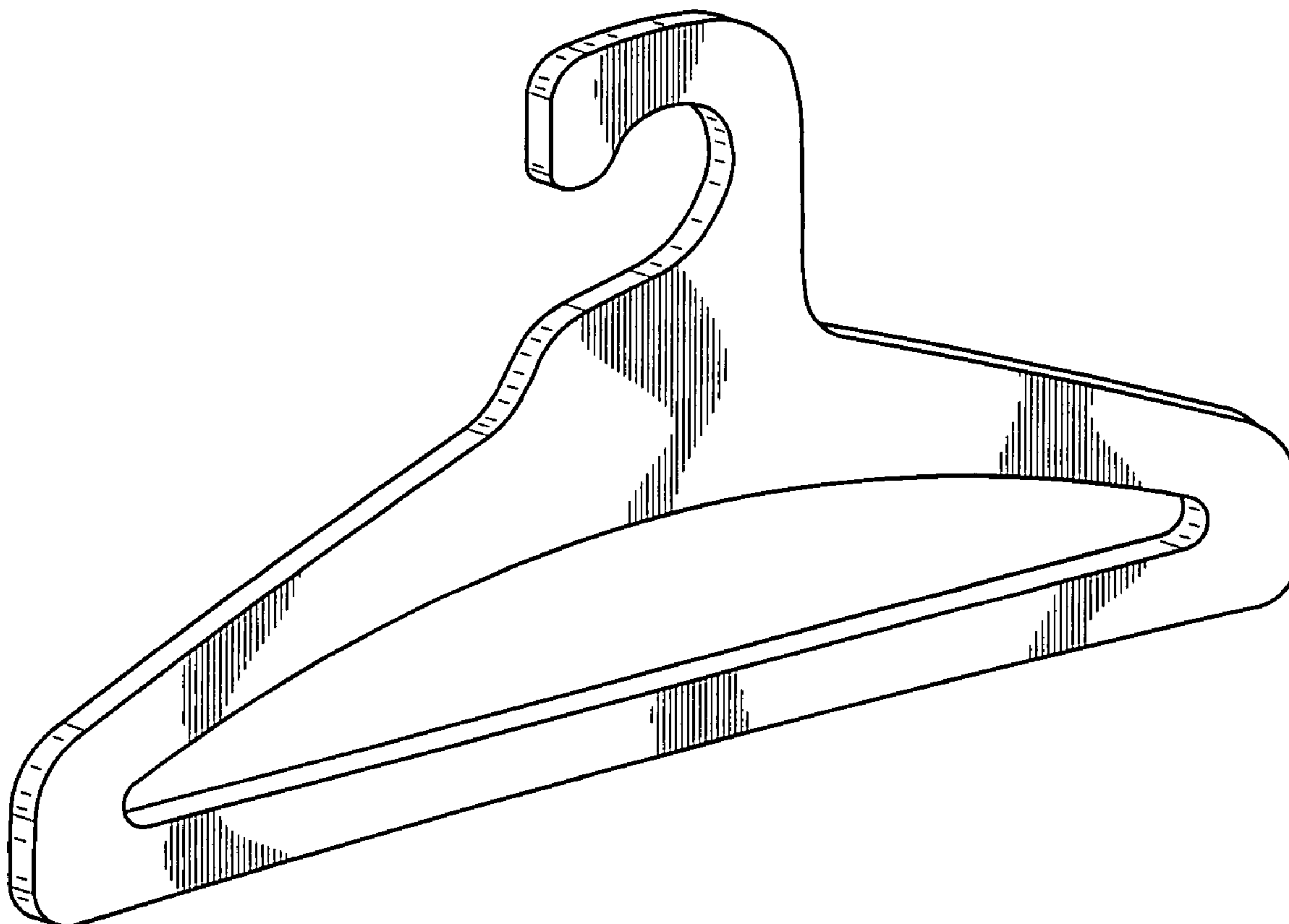




FIG. 1

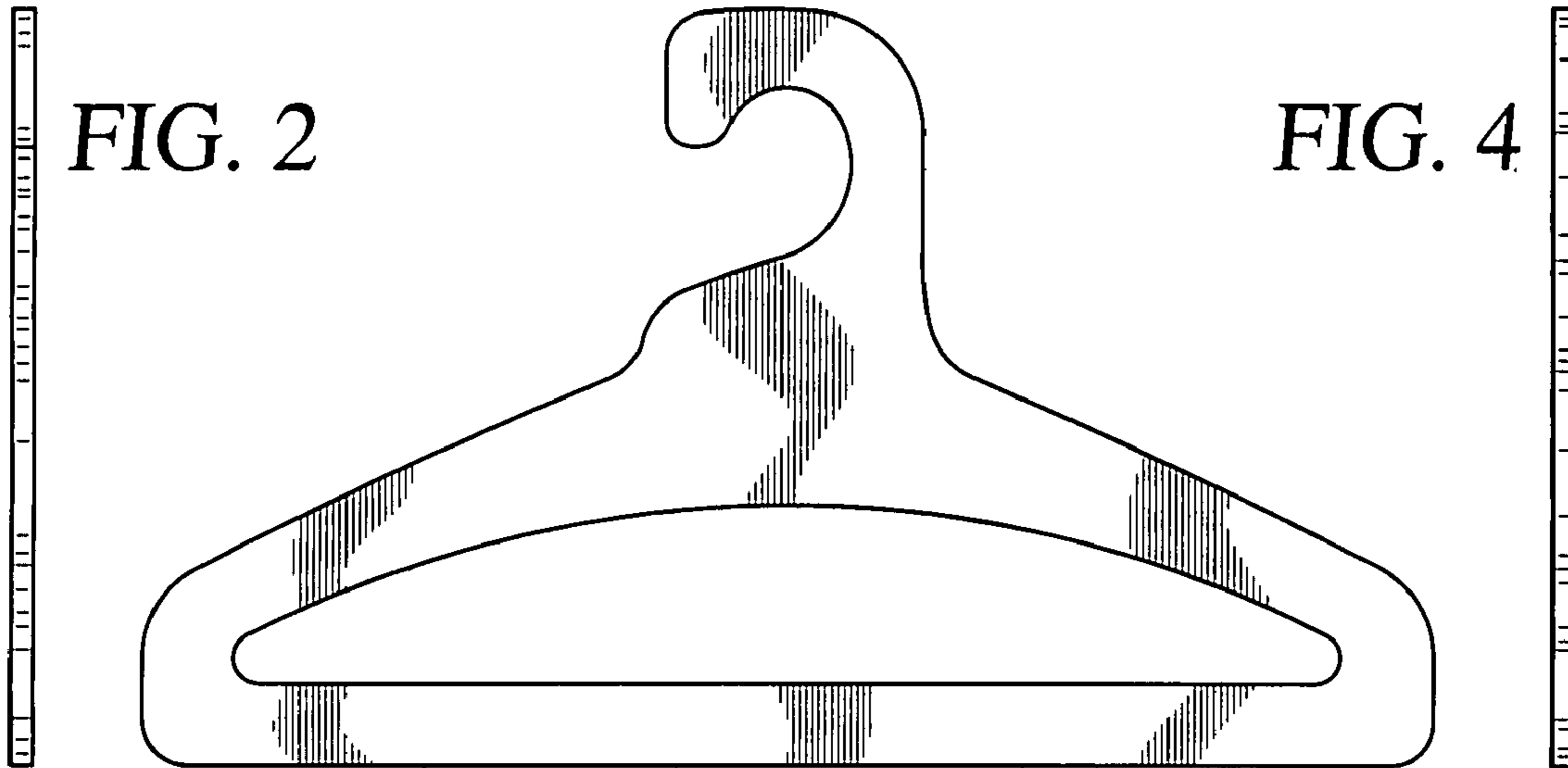


FIG. 2

FIG. 4

FIG. 3

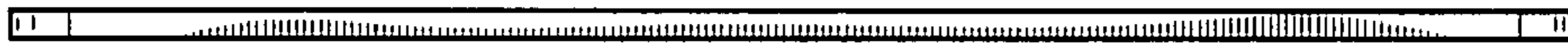


FIG. 5

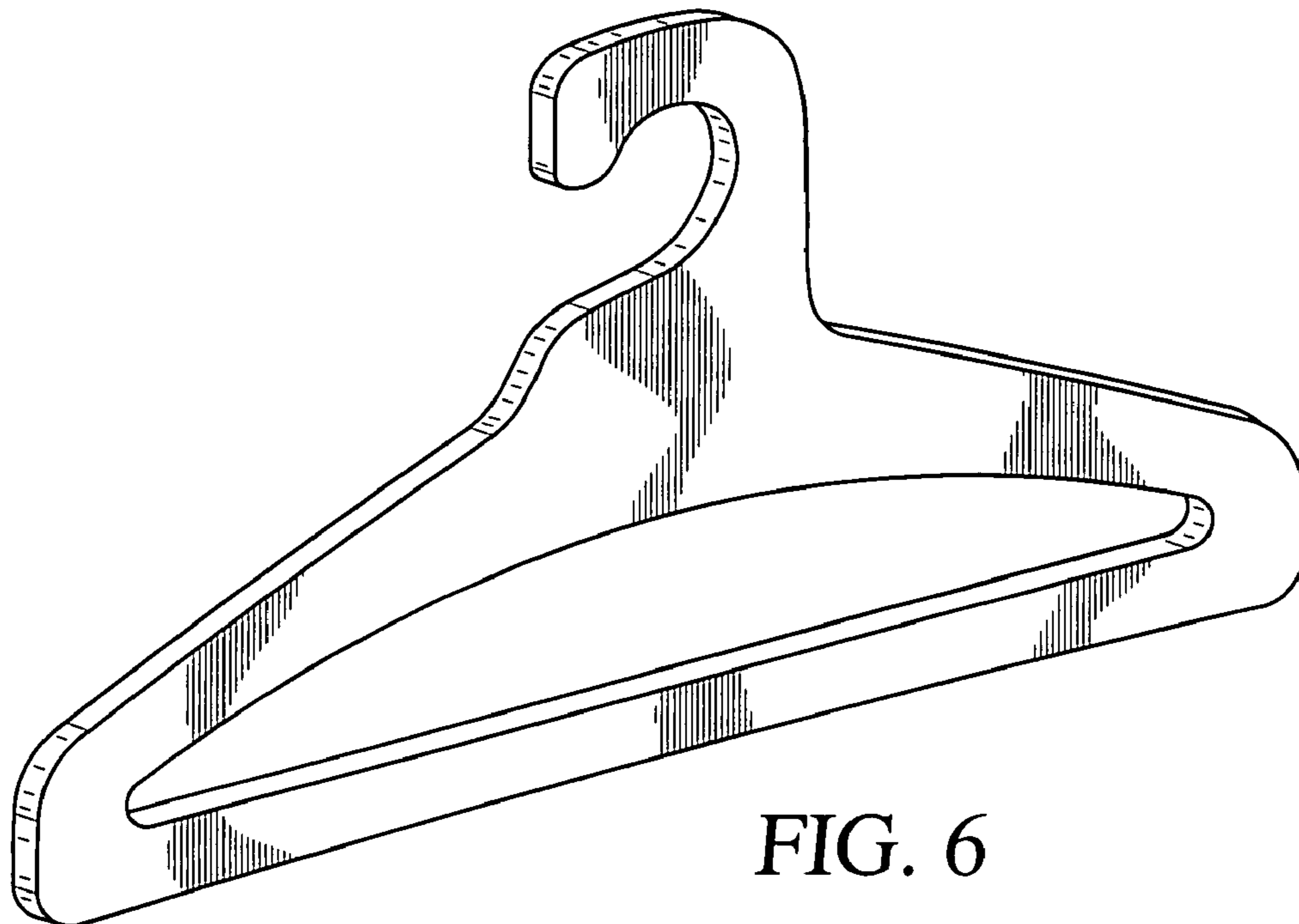


FIG. 6