

US00D563679S

(12) **United States Design Patent**
Vidmar et al.

(10) **Patent No.:** **US D563,679 S**
(45) **Date of Patent:** **** Mar. 11, 2008**

(54) **MIRROR OR THE LIKE**

(75) Inventors: **James F. Vidmar**, Willoughby, OH
(US); **Chi Wai Patrick Poon**, Kwun
Tong (HK)

(73) Assignee: **HSN Improvements LLC**, Bedford
Heights, OH (US)

(**) Term: **14 Years**

(21) Appl. No.: **29/268,087**

(22) Filed: **Oct. 27, 2006**

Related U.S. Application Data

(63) Continuation of application No. 11/429,227, filed on
May 8, 2006.

(51) **LOC (8) Cl.** **06-07**

(52) **U.S. Cl.** **D6/309**

(58) **Field of Classification Search** D6/300,
D6/309, 310, 312, 313; D28/64.1, 64.3,
D28/64.6, 64.4; 40/700, 711, 722, 724, 732,
40/745, 747, 749, 780, 798, 757; 359/838,
359/865, 871, 876, 879, 882; 248/469, 472,
248/476, 160; D24/139

See application file for complete search history.

(56) **References Cited**

U.S. PATENT DOCUMENTS

1,270,370 A * 6/1918 Boning 264/129

1,989,437 A *	1/1935	Weisz	359/865
5,033,528 A *	7/1991	Volcani	160/351
D333,533 S *	2/1993	Lee	D28/64.1
5,604,633 A *	2/1997	Christianson	359/507
6,099,133 A *	8/2000	Wright	359/880
6,217,180 B1 *	4/2001	Eisenbraun	359/871
6,371,824 B1 *	4/2002	Brown	446/250
6,682,198 B2 *	1/2004	Mangano	359/840
D491,373 S *	6/2004	Mangano	D6/309

* cited by examiner

Primary Examiner—Caron D. Veynar

Assistant Examiner—Sydney R. Buffalow

(74) *Attorney, Agent, or Firm*—Kenyon & Kenyon LLP

(57) **CLAIM**

What is claimed is the ornamental design for a mirror or the
like, as shown.

DESCRIPTION

FIG. 1 is a front view of a mirror in an expanded configura-
tion showing the new design;

FIG. 2 is a front view of a mirror in an expanded configura-
tion showing the new design;

FIG. 3 is a rear perspective view of the mirror shown as in
FIG. 1 in a collapsed configuration;

FIG. 4 is a rear view of the mirror shown in FIG. 3; and,

FIG. 5 is a front view of the mirror shown in FIG. 3.

1 Claim, 5 Drawing Sheets

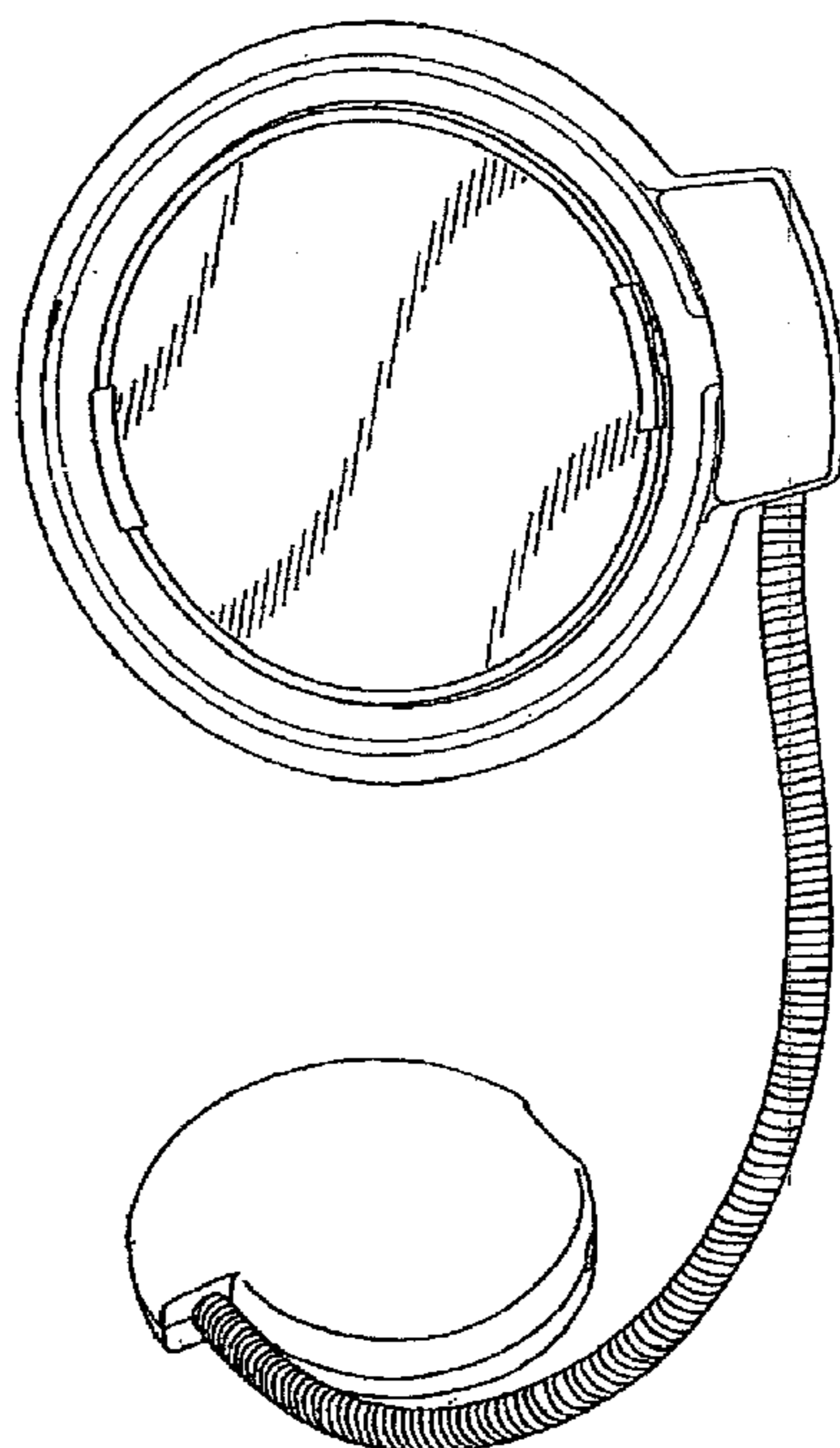


FIG. 1

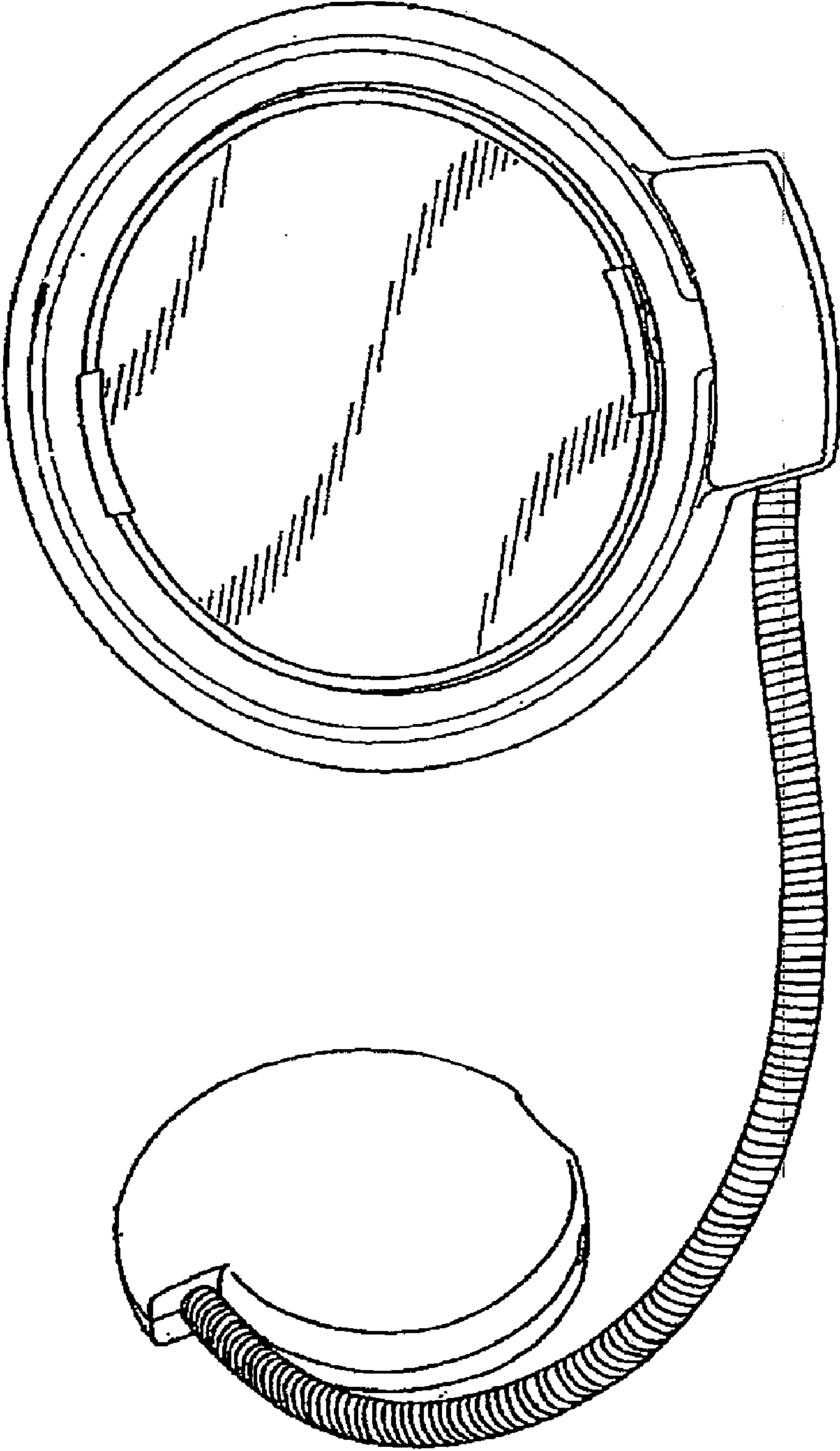


FIG. 2

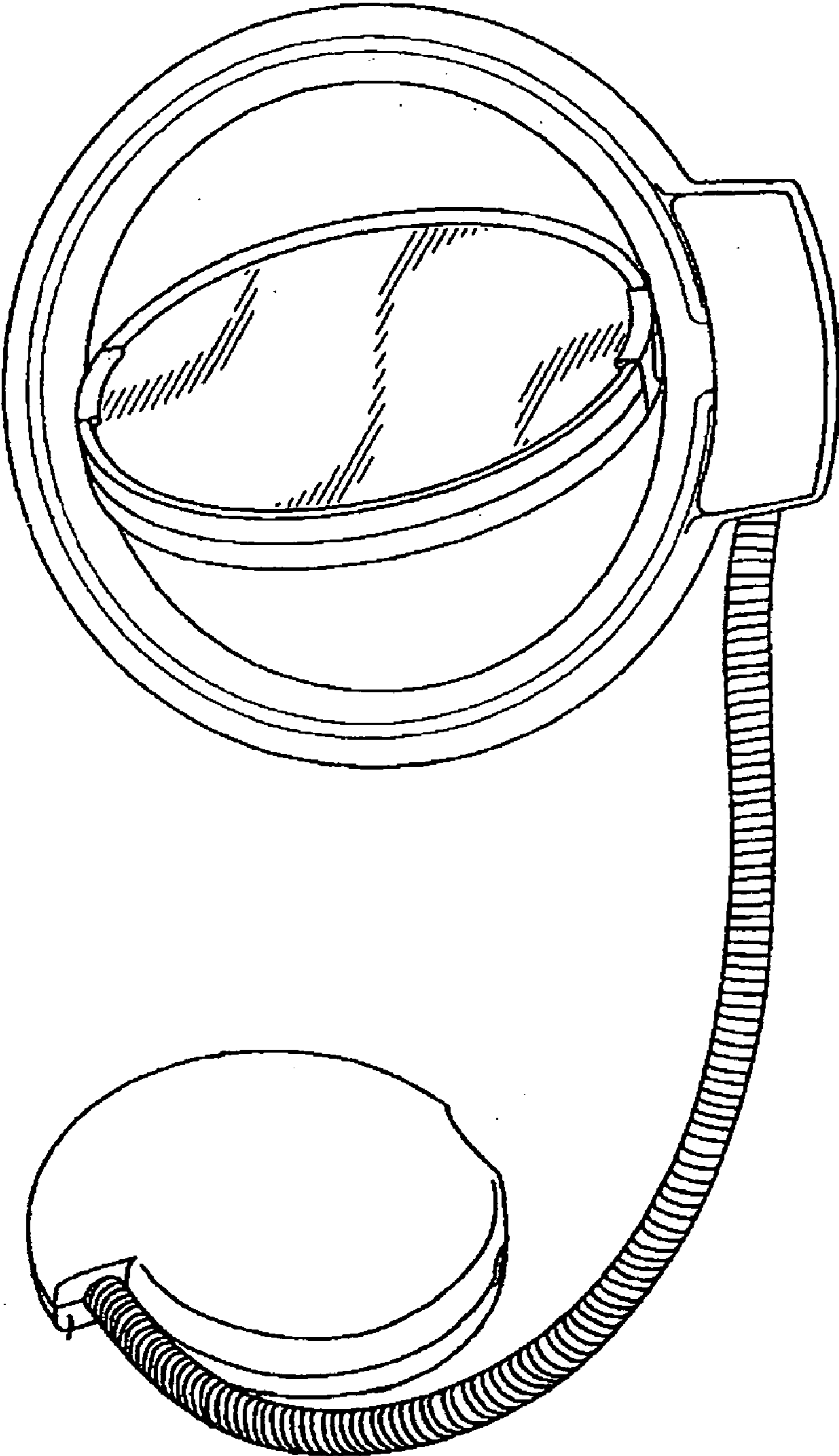


FIG. 3

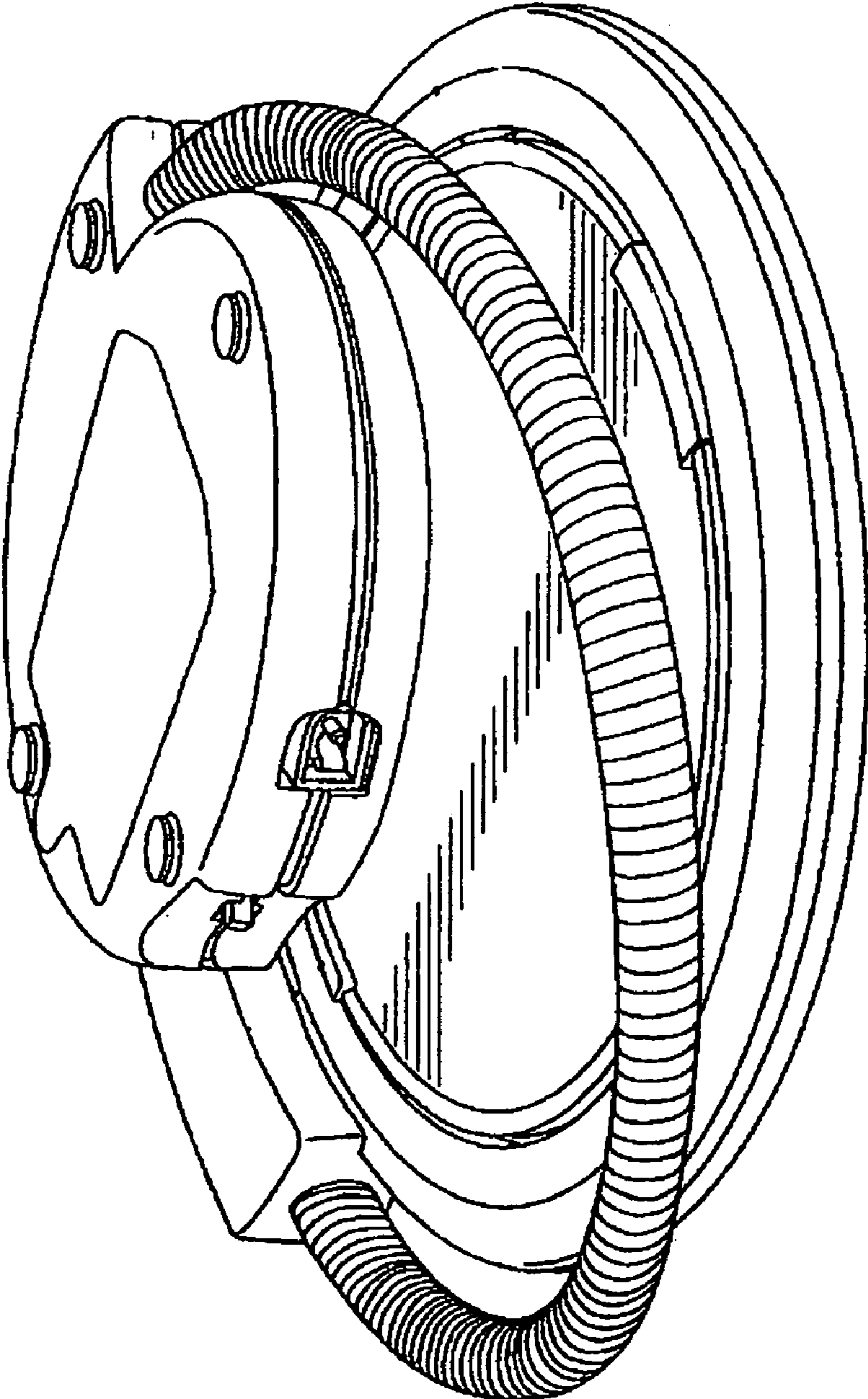


FIG. 4

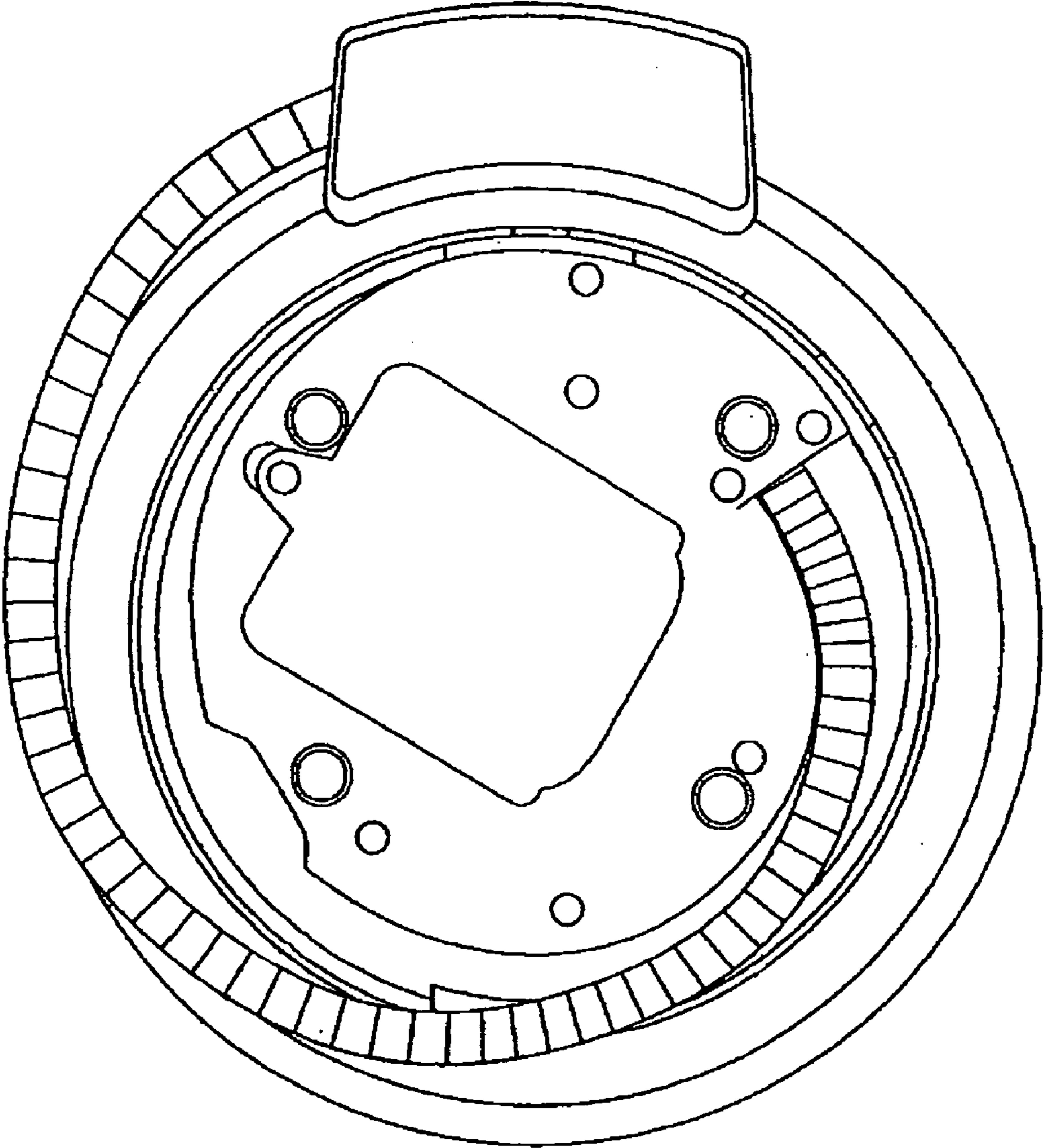


FIG. 5

