



US00D563671S

(12) **United States Design Patent**
Cornwell et al.

(10) **Patent No.:** **US D563,671 S**
(45) **Date of Patent:** **** Mar. 11, 2008**

(54) **TOOL CARRYING CASE WITH
TRANSPARENT LID**
(75) Inventors: **W. Robert Cornwell**, Ronan, MT (US);
Nathan C. Cantlon, Charlo, MT (US)

(73) Assignee: **Jore Corporation**, Pasco, WA (US)

(**) Term: **14 Years**

(21) Appl. No.: **29/275,419**

(22) Filed: **Dec. 22, 2006**

(51) **LOC (8) Cl.** **03-01**

(52) **U.S. Cl.** **D3/294; D3/905**

(58) **Field of Classification Search** D3/273–274,
D3/276, 281–282, 292, 294–295, 302, 905;
D9/418, 420, 423–424; 206/349, 372–373;
220/4.21–4.22

See application file for complete search history.

(56) **References Cited**

U.S. PATENT DOCUMENTS

| | | | | |
|----------------|---------|-------------------|-------|-----------|
| D290,344 S * | 6/1987 | Toms | | D9/424 |
| D303,583 S * | 9/1989 | Bakic | | D28/83 |
| D310,563 S * | 9/1990 | Greengrass et al. | | D3/203.1 |
| D361,035 S * | 8/1995 | Krupa | | D9/424 |
| D361,715 S * | 8/1995 | Hauptert | | D9/424 |
| D367,557 S * | 3/1996 | Chang | | D3/276 |
| D382,115 S * | 8/1997 | Chang | | D3/282 |
| 5,782,351 A * | 7/1998 | Shoptaugh | | 206/315.1 |
| D419,768 S * | 2/2000 | Richardson et al. | | D3/273 |
| D431,359 S * | 10/2000 | Lapidus | | D3/273 |
| D436,441 S * | 1/2001 | Lapidus | | D3/273 |
| 6,213,296 B1 * | 4/2001 | Streich et al. | | 206/373 |
| D458,840 S * | 6/2002 | Lai | | D3/295 |
| D459,223 S * | 6/2002 | Lai | | D3/295 |
| 6,405,864 B1 * | 6/2002 | Streich et al. | | 206/373 |
| D464,196 S * | 10/2002 | Parker | | D3/273 |
| D465,330 S * | 11/2002 | Parker | | D3/273 |
| D466,296 S * | 12/2002 | Hellenberg-Hubar | | D3/295 |
| D474,340 S * | 5/2003 | Vasudeva | | D3/282 |

| | | | | |
|-------------------|---------|-------------------|-------|----------|
| D475,853 S * | 6/2003 | Chen | | D3/294 |
| D477,912 S * | 8/2003 | Cunningham et al. | | D3/273 |
| D481,868 S * | 11/2003 | Cunningham et al. | | D3/273 |
| 6,755,302 B1 * | 6/2004 | Streich et al. | | 206/373 |
| D502,316 S * | 3/2005 | Chen | | D3/273 |
| D522,746 S * | 6/2006 | Perella et al. | | D3/276 |
| D527,523 S * | 9/2006 | Cornwell et al. | | D3/294 |
| D528,793 S * | 9/2006 | Cornwell et al. | | D3/294 |
| D541,685 S * | 5/2007 | Bradford | | D10/78 |
| D548,971 S * | 8/2007 | Lin | | D3/294 |
| 2002/0043534 A1 * | 4/2002 | Uke | | 220/4.21 |

* cited by examiner

Primary Examiner—Philip S. Hyder

Assistant Examiner—RoseLynne (Ulm) Cody

(74) *Attorney, Agent, or Firm*—Christensen O'Connor
Johnson Kindness PLLC

(57) **CLAIM**

The ornamental design for a tool carrying case with transparent lid, as shown and described.

DESCRIPTION

FIG. 1 is an isometric view of a tool carrying case with transparent lid;

FIG. 2 is a top plan view of the tool carrying case with transparent lid of FIG. 1;

FIG. 3 is a bottom plan view thereof;

FIG. 4 is a side elevation view thereof, showing a first side;

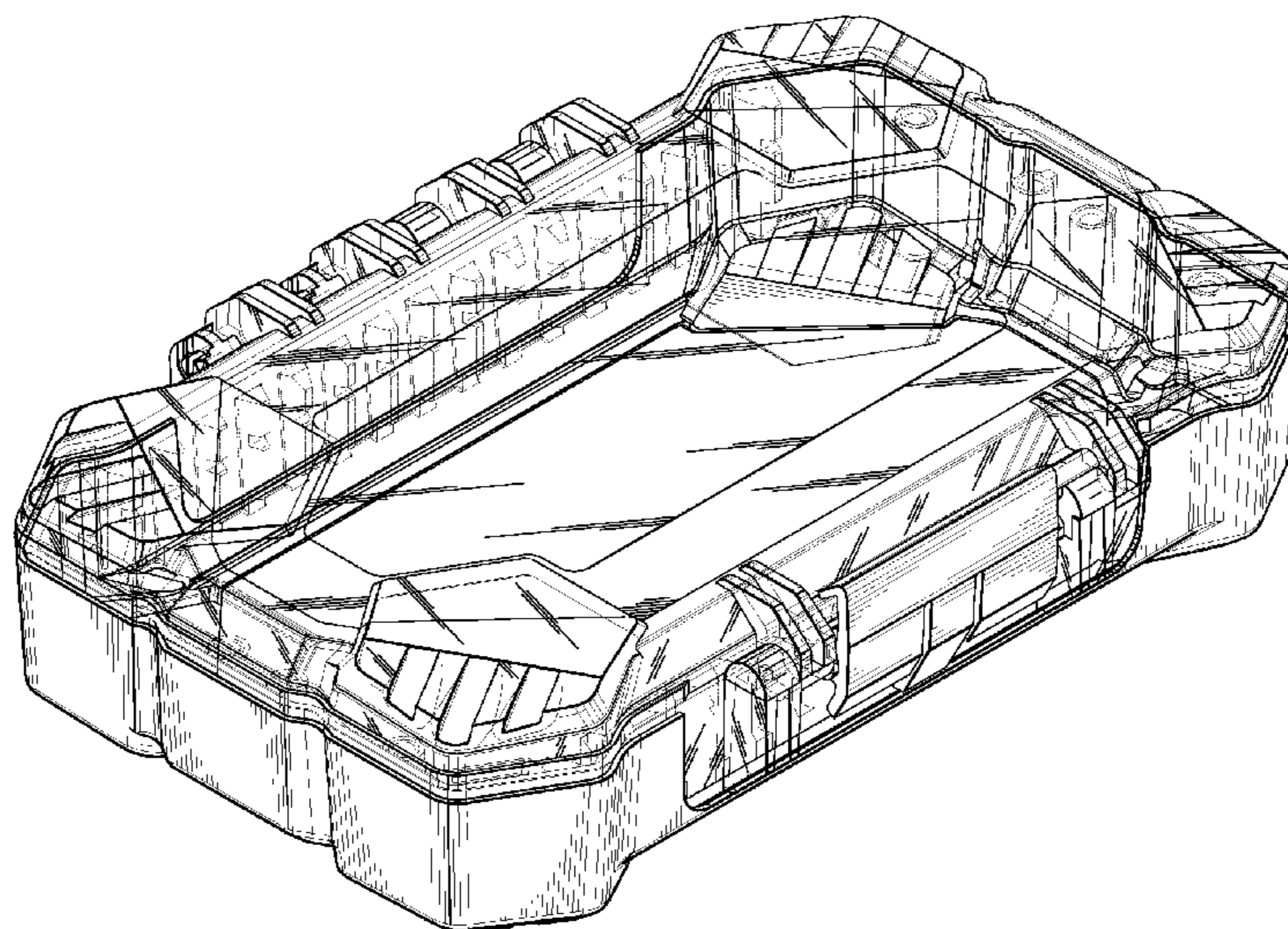
FIG. 5 is a side elevation view thereof, showing a second side;

FIG. 6 is an end elevation view thereof, showing a first end; and,

FIG. 7 is an end elevation view thereof, showing a second end.

The subject matter shown in phantom lines is hereby disclaimed and forms no part of the claimed invention.

1 Claim, 3 Drawing Sheets



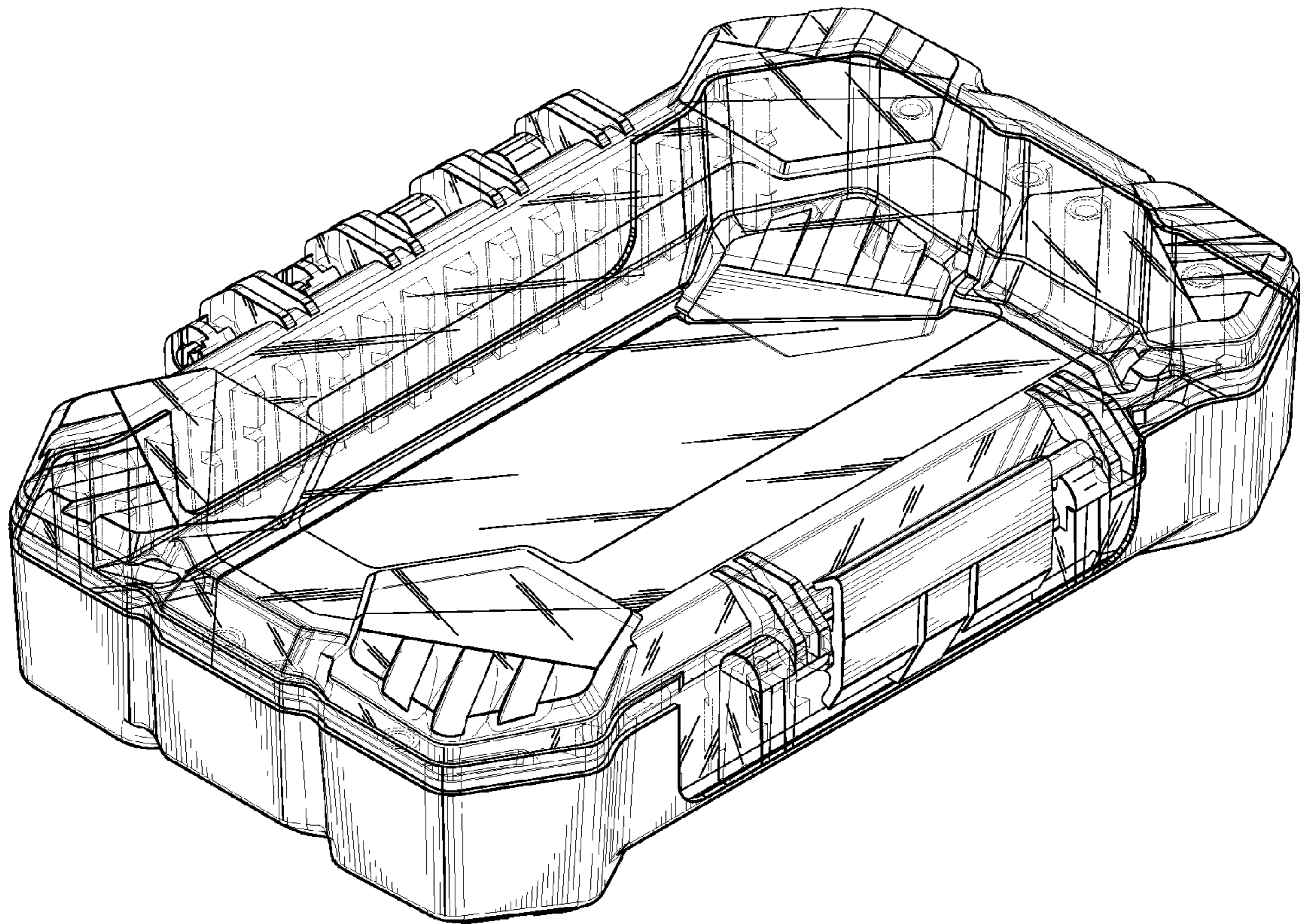


Fig. 1.

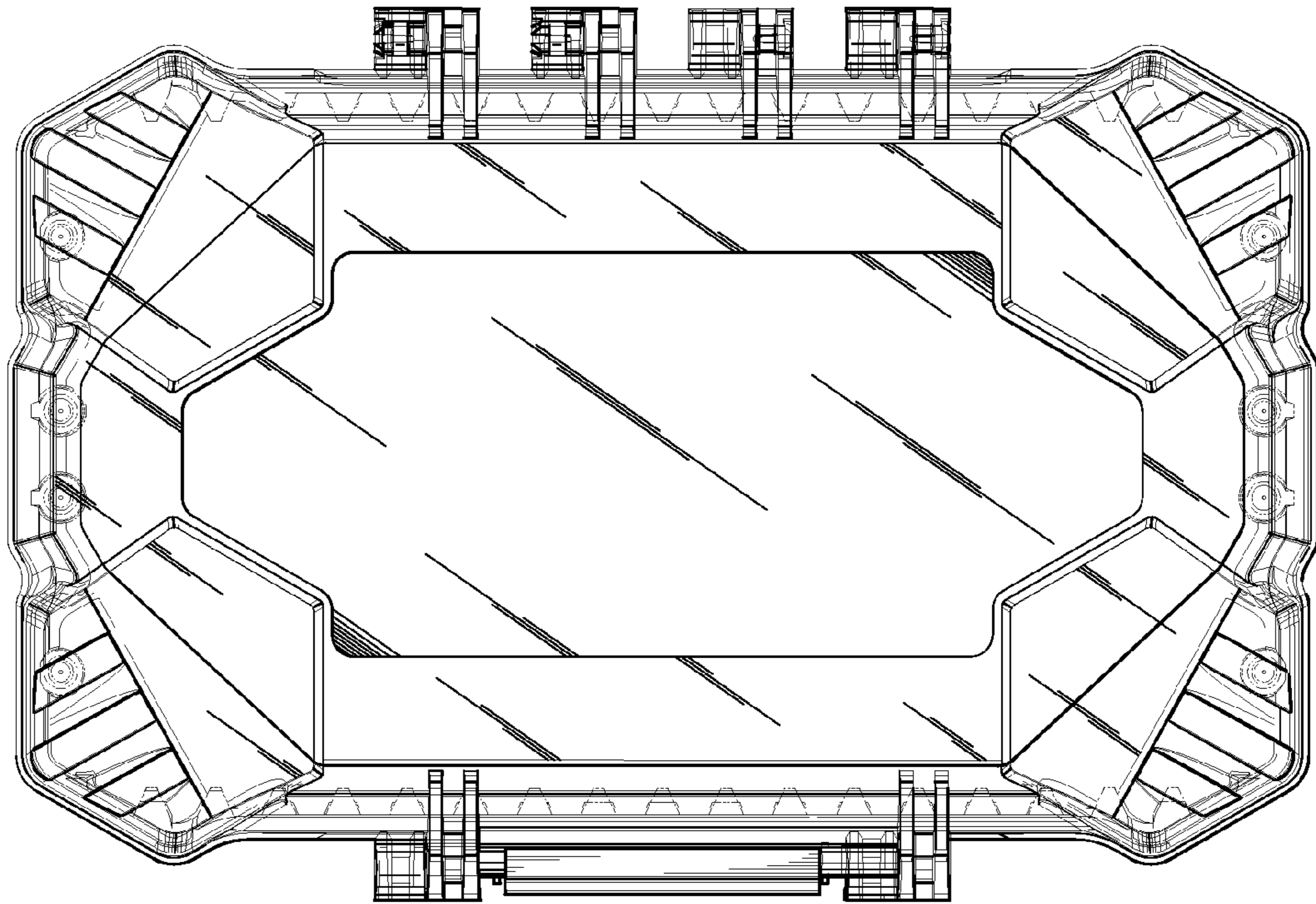


Fig. 2.

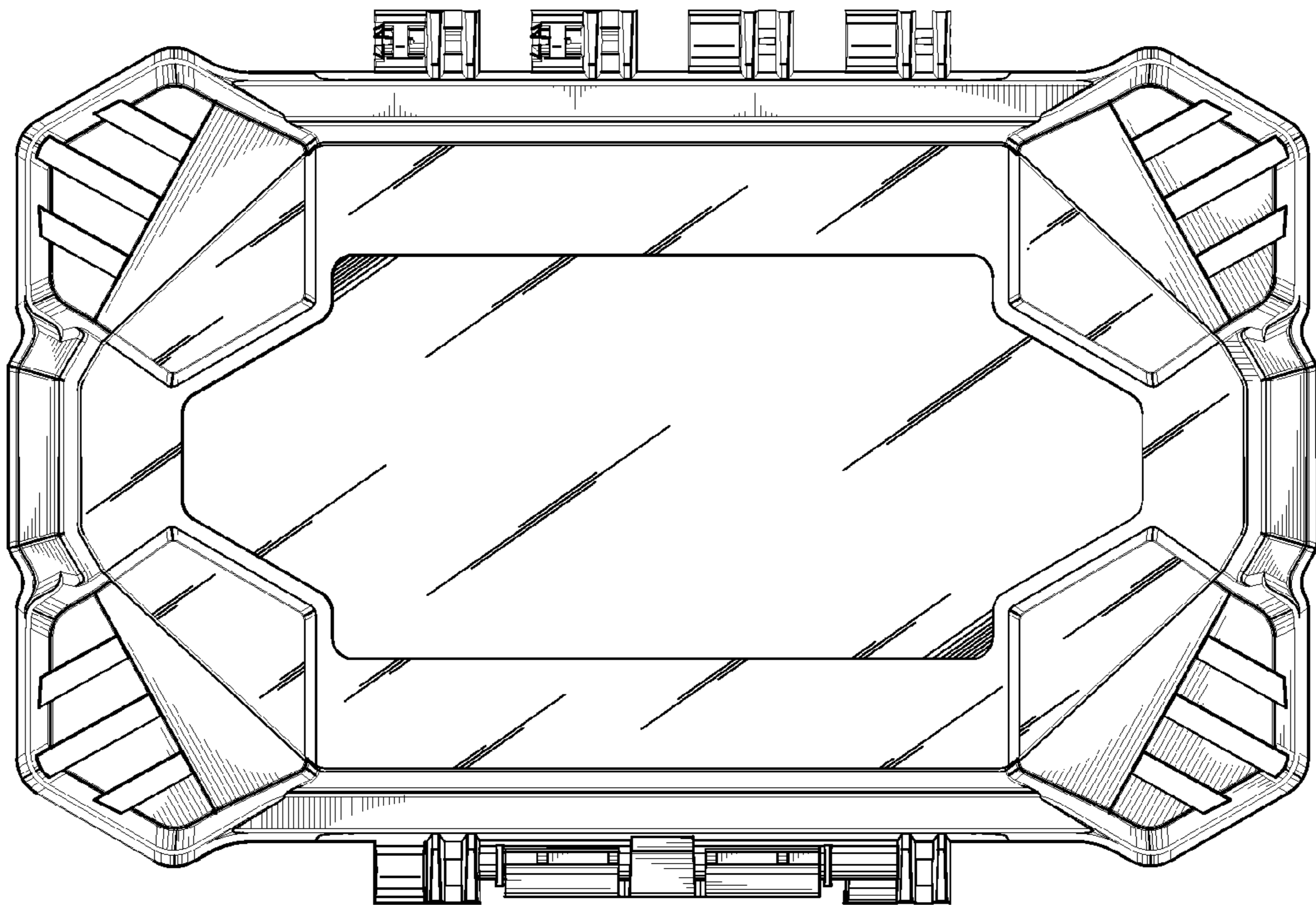


Fig. 3.

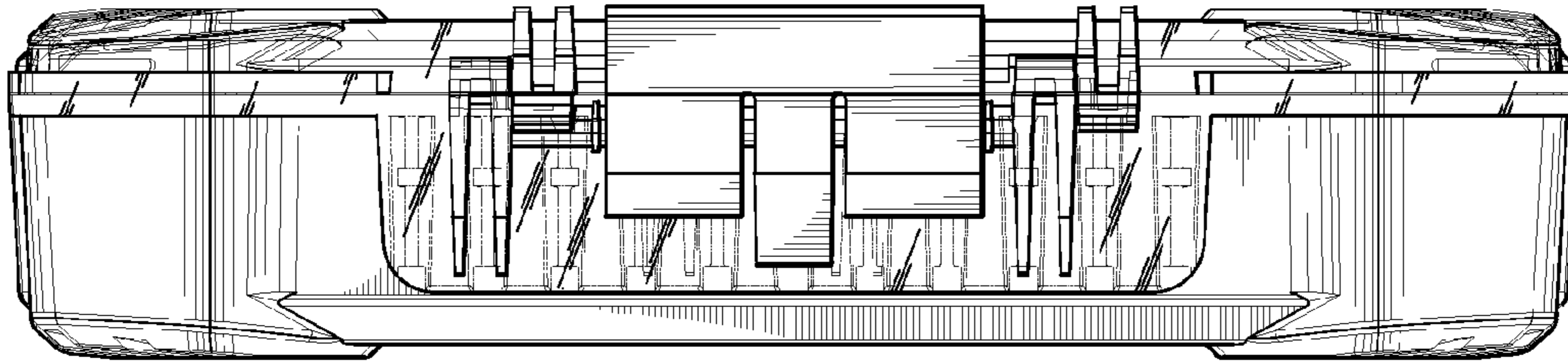


Fig. 4.

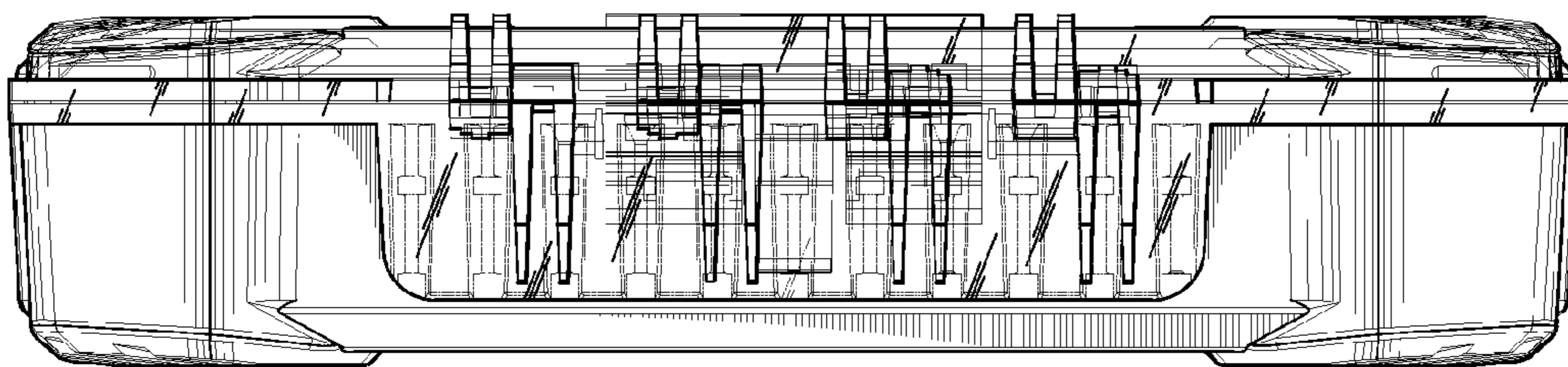


Fig. 5.

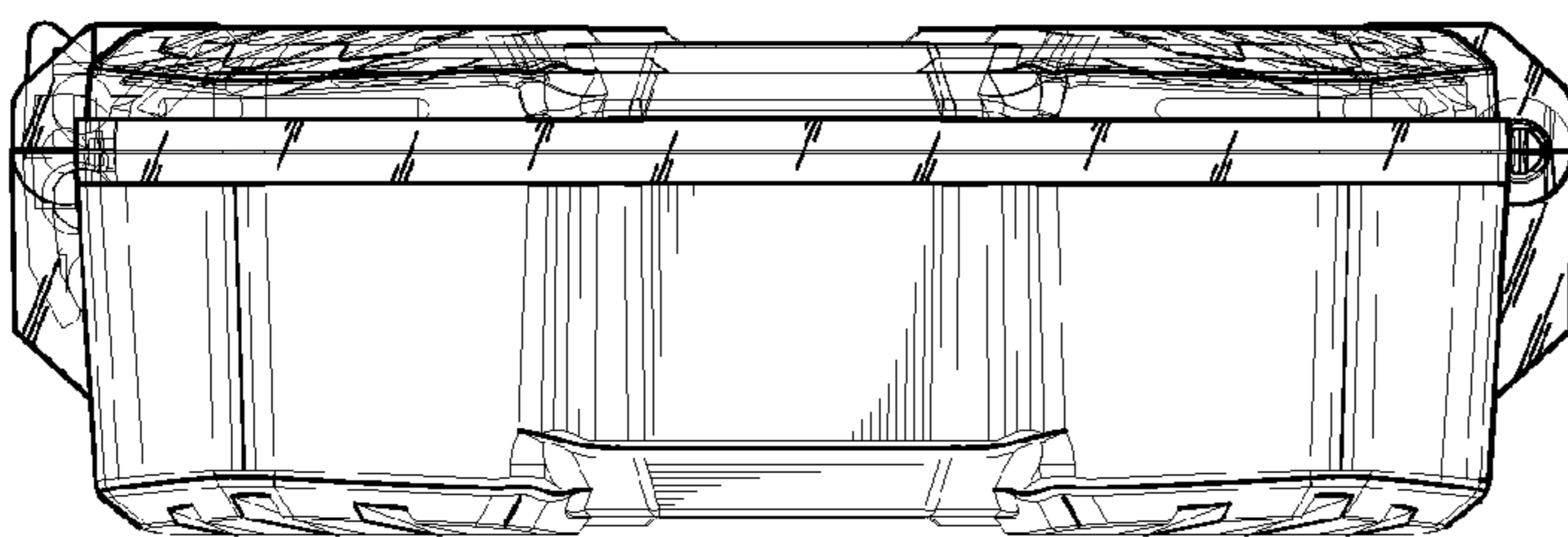


Fig. 6.

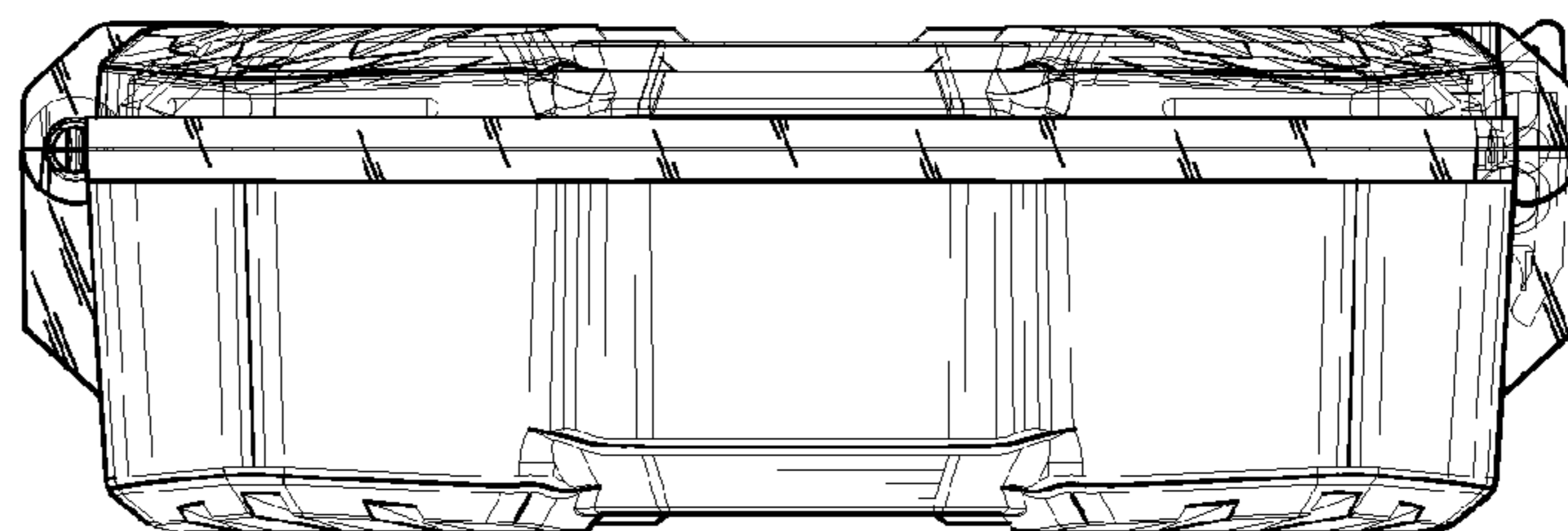


Fig. 7.