



US00D563667S

(12) **United States Design Patent**
Carr et al.

(10) **Patent No.:** **US D563,667 S**
(45) **Date of Patent:** **** Mar. 11, 2008**

(54) **TOOTH BRUSH ORGANIZER**

(76) Inventors: **Fred K Carr**, 23162 La Cadena Dr.,
Laguna Hills, CA (US) 92653;
Faramarz Khaladj, 23162 La Cadena
Dr., Laguna Hills, CA (US) 92653

(**) Term: **14 Years**

(21) Appl. No.: **29/248,166**

(22) Filed: **Aug. 1, 2006**

(51) **LOC (8) Cl.** **03-01**

(52) **U.S. Cl.** **D3/205**

(58) **Field of Classification Search** D3/205,
D3/206, 270, 201, 310, 313, 901, 318, 319,
D3/903; D7/555; 206/562; D19/81, 85
See application file for complete search history.

(56) **References Cited**

U.S. PATENT DOCUMENTS

935,420 A * 9/1909 Smith 206/369
D272,923 S * 3/1984 Quinn et al. D21/393
D356,338 S * 3/1995 Magnusson D19/77

D365,730 S * 1/1996 Brightbill et al. D7/641
D422,568 S * 4/2000 Brunetti D14/302
D492,484 S * 7/2004 Lin D3/260
D504,568 S * 5/2005 Willison D3/310

* cited by examiner

Primary Examiner—Louis S. Zarfaz

Assistant Examiner—Kathleen Sims

(57) **CLAIM**

The ornamental design for a tooth brush organizer, as shown and described.

DESCRIPTION

FIG. 1 is a front view of the tooth brush organizer showing our new design.

FIG. 2 is an oblique view of the left side thereof.

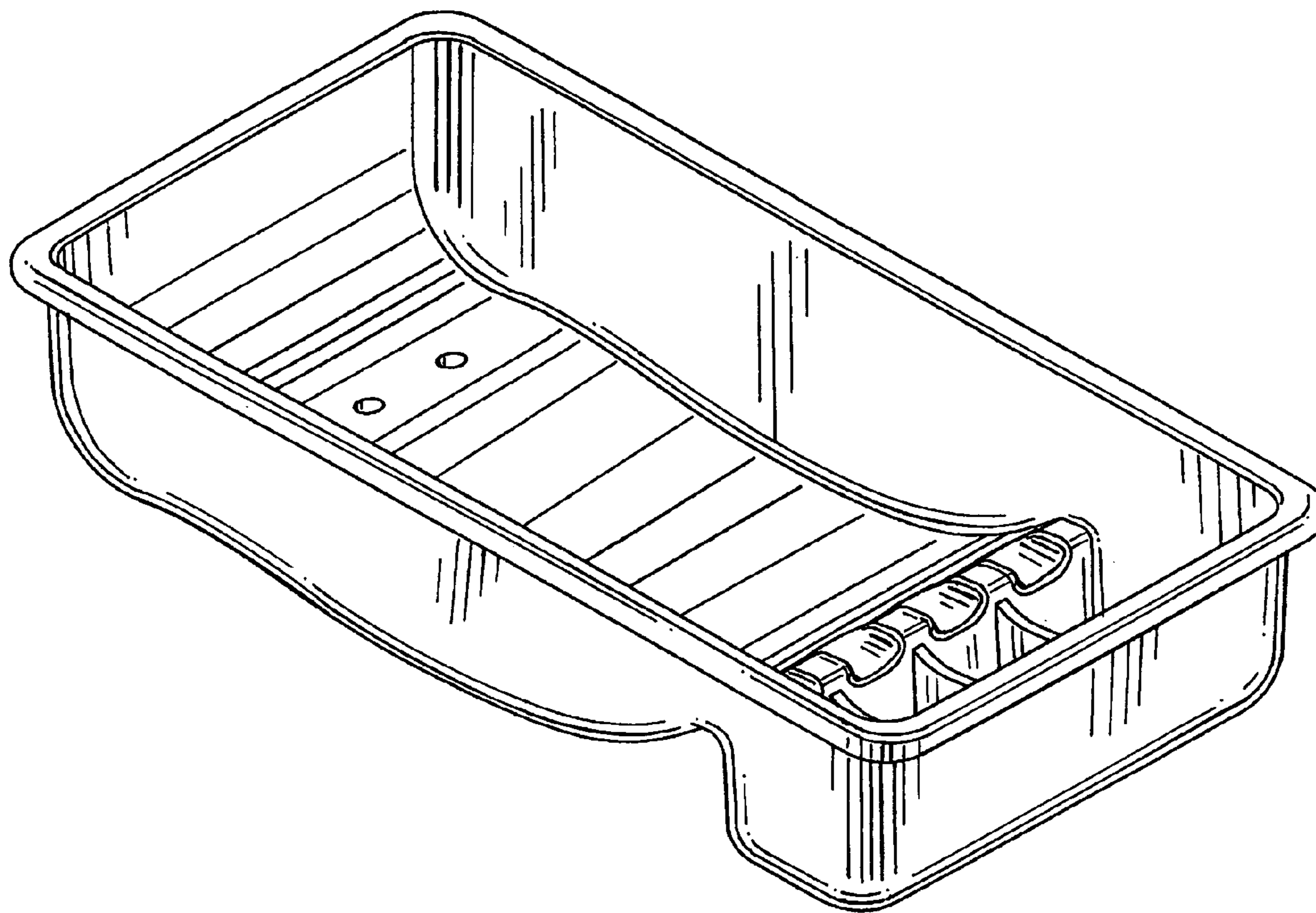
FIG. 3 is an oblique view of the right side thereof.

FIG. 4 is a right side view thereof.

FIG. 5 is a left side view thereof; and,

FIG. 6 is a top view thereof.

1 Claim, 6 Drawing Sheets



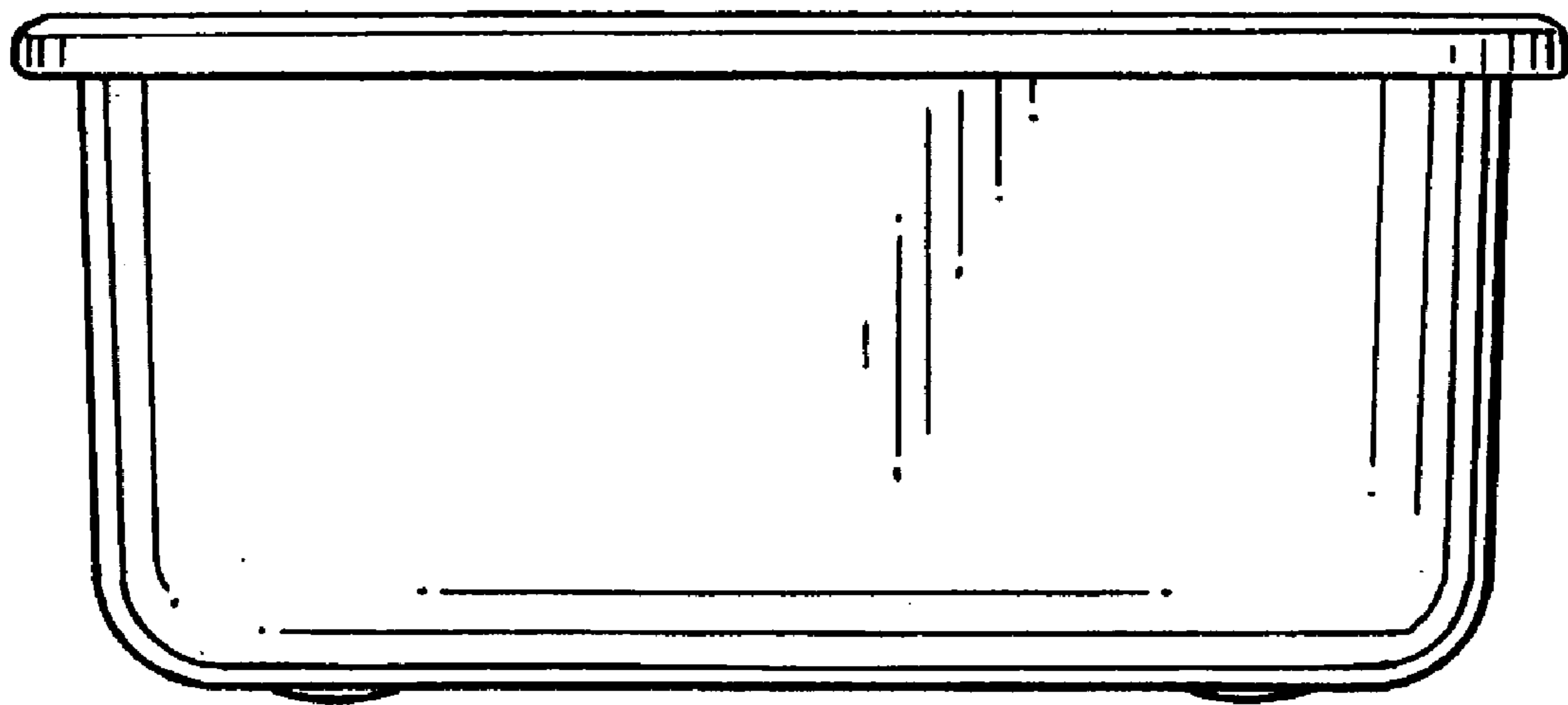


Fig. 1

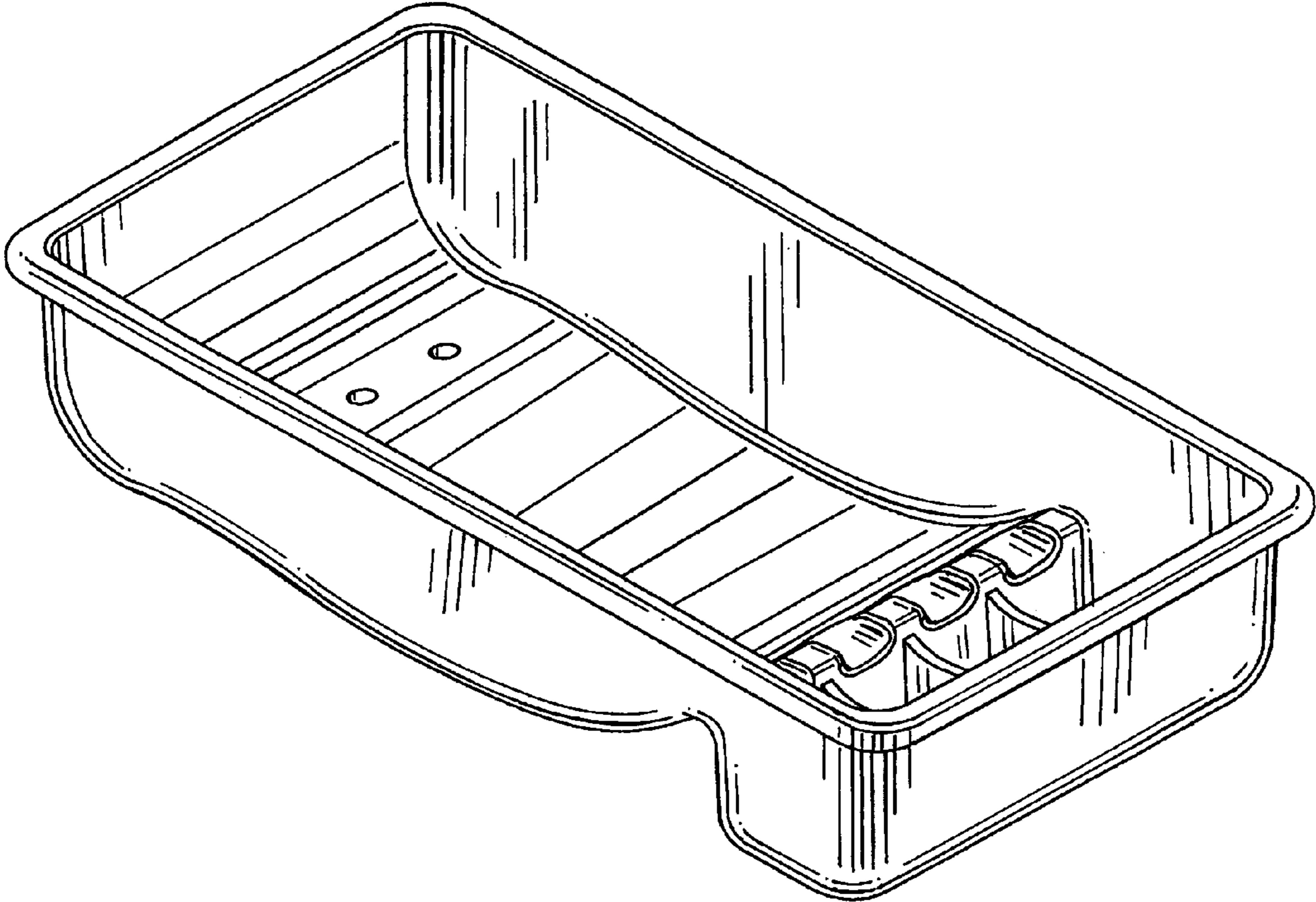


Fig. 2

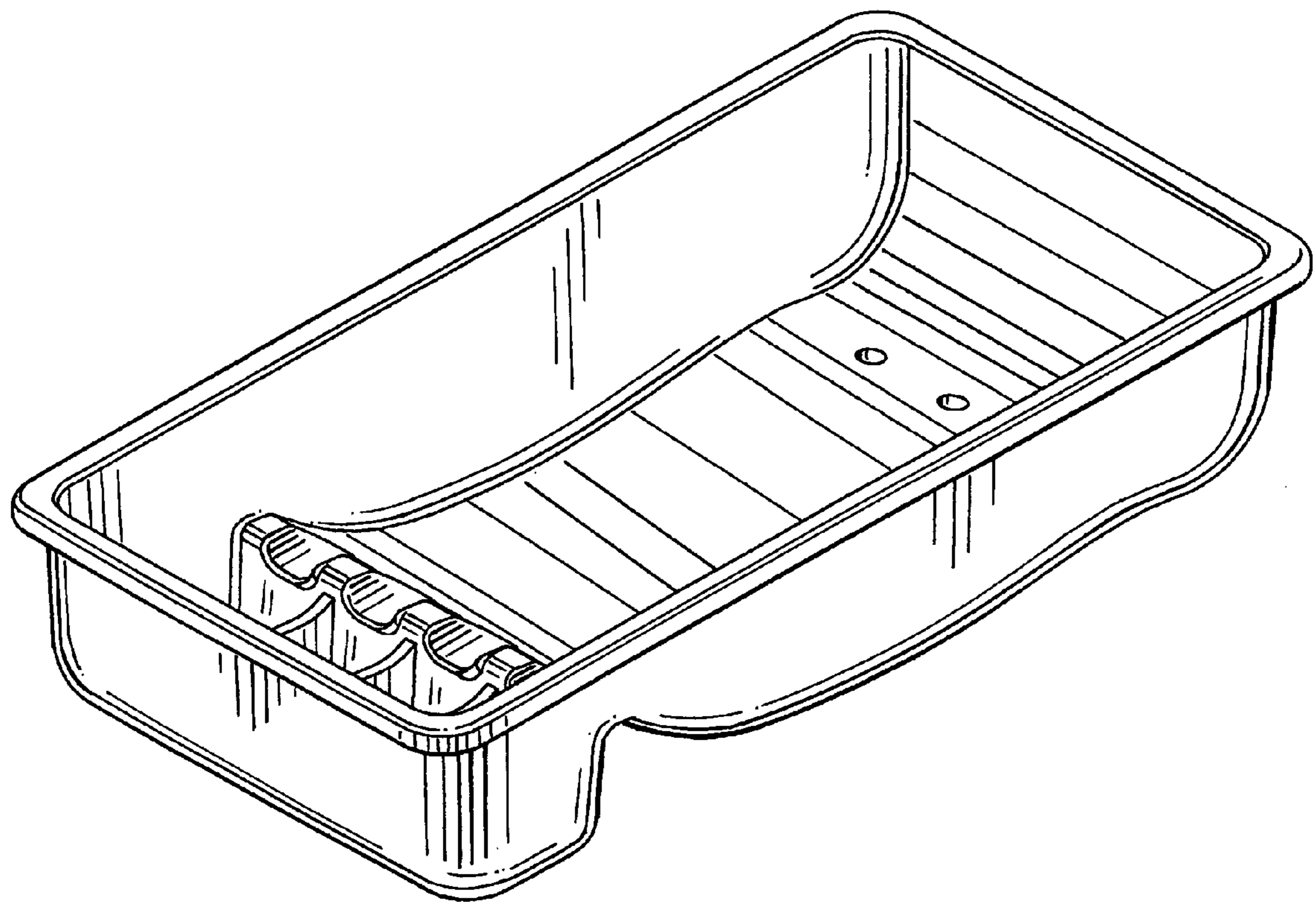


Fig. 3

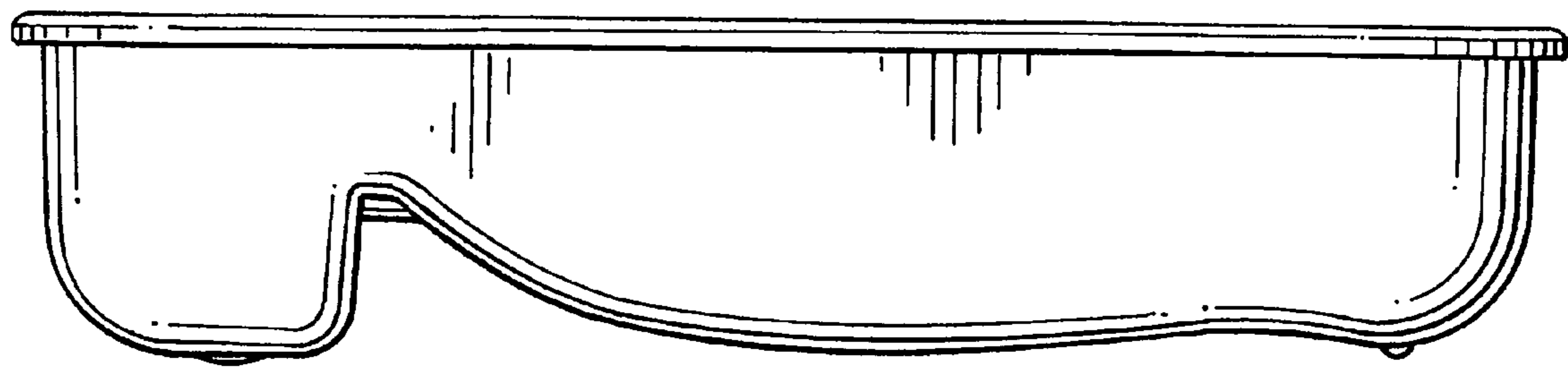


Fig. 4

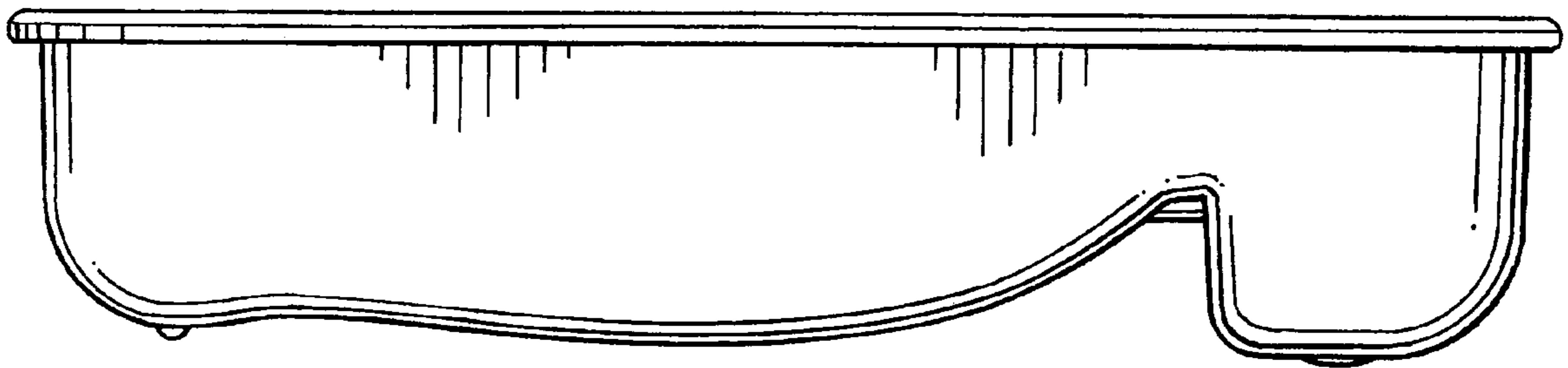


Fig. 5

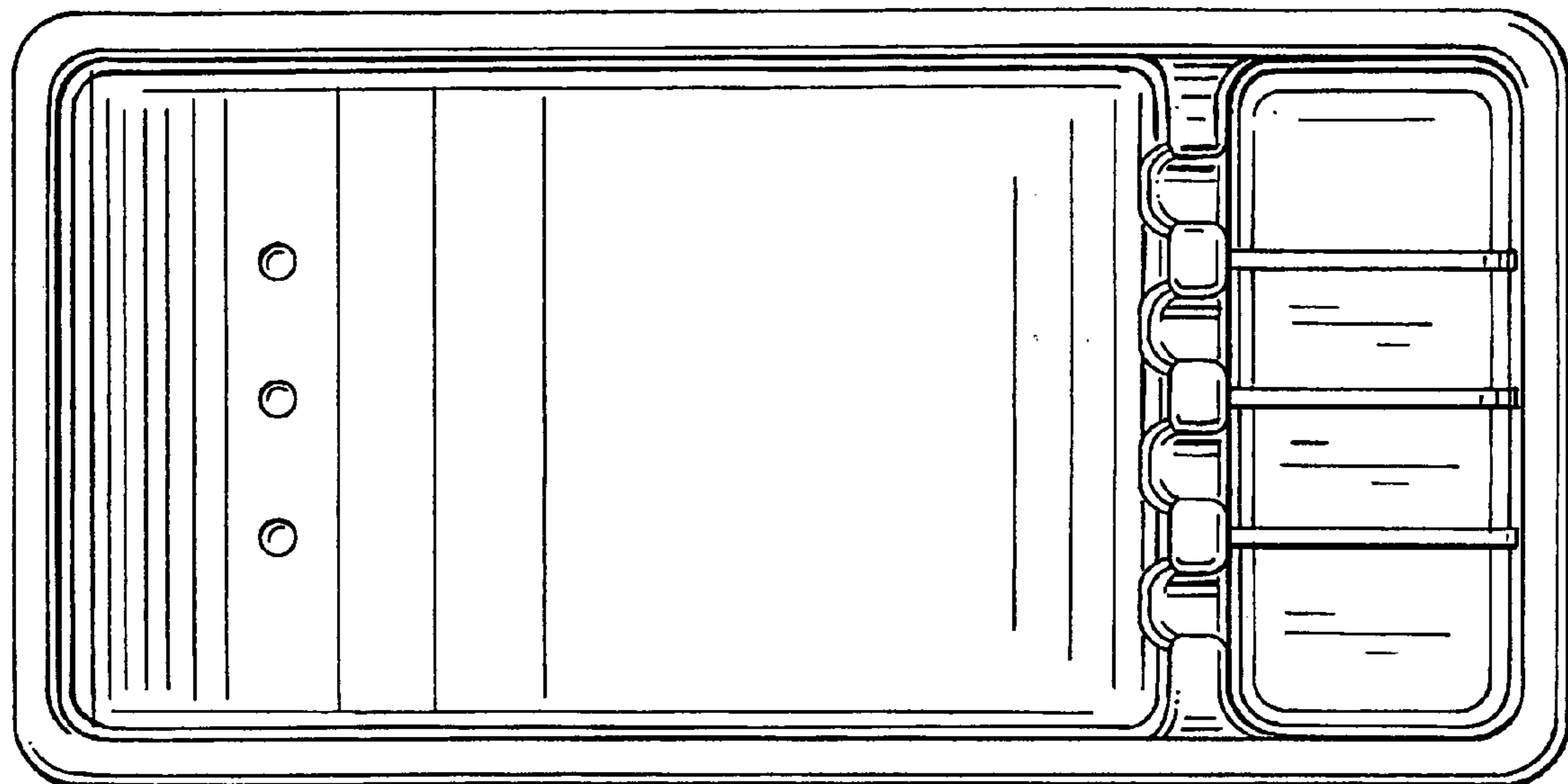


Fig. 6