

US00D563666S

(12) **United States Design Patent**
Davis

(10) **Patent No.:** **US D563,666 S**

(45) **Date of Patent:** **** *Mar. 11, 2008**

(54) **WRIST-ATTACHABLE BEVERAGE CARRIER**

(76) Inventor: **Michael A. Davis**, 548 E. 39 th St., Paterson, NJ (US) 07513

(*) Notice: This patent is subject to a terminal disclaimer.

(**) Term: **14 Years**

(21) Appl. No.: **29/258,025**

(22) Filed: **Apr. 14, 2006**

(51) **LOC (8) Cl.** **09-02**

(52) **U.S. Cl.** **D3/202; D3/215**

(58) **Field of Classification Search** D3/202, D3/218, 229, 215, 224, 226; D7/572, 546, D7/620, 622; D24/128; 435/304.1; 224/148.2, 224/148.3-6, 583; D2/630, 629, 361
See application file for complete search history.

(56) **References Cited**

U.S. PATENT DOCUMENTS

D28,687 S * 5/1898 Paine D9/546
3,702,806 A * 11/1972 Oliva 435/304.1

D284,839 S * 7/1986 Biesecker D9/572
D292,127 S * 9/1987 Aiello D24/128
D405,604 S * 2/1999 Massey D3/229
D417,951 S * 12/1999 deMontagnac D3/215
D433,227 S * 11/2000 Evans D3/218
D496,286 S * 9/2004 Krunas D9/572
D500,448 S * 1/2005 Krunas D9/572

* cited by examiner

Primary Examiner—Louis S. Zarfaz
Assistant Examiner—Anna K. Dworzecka

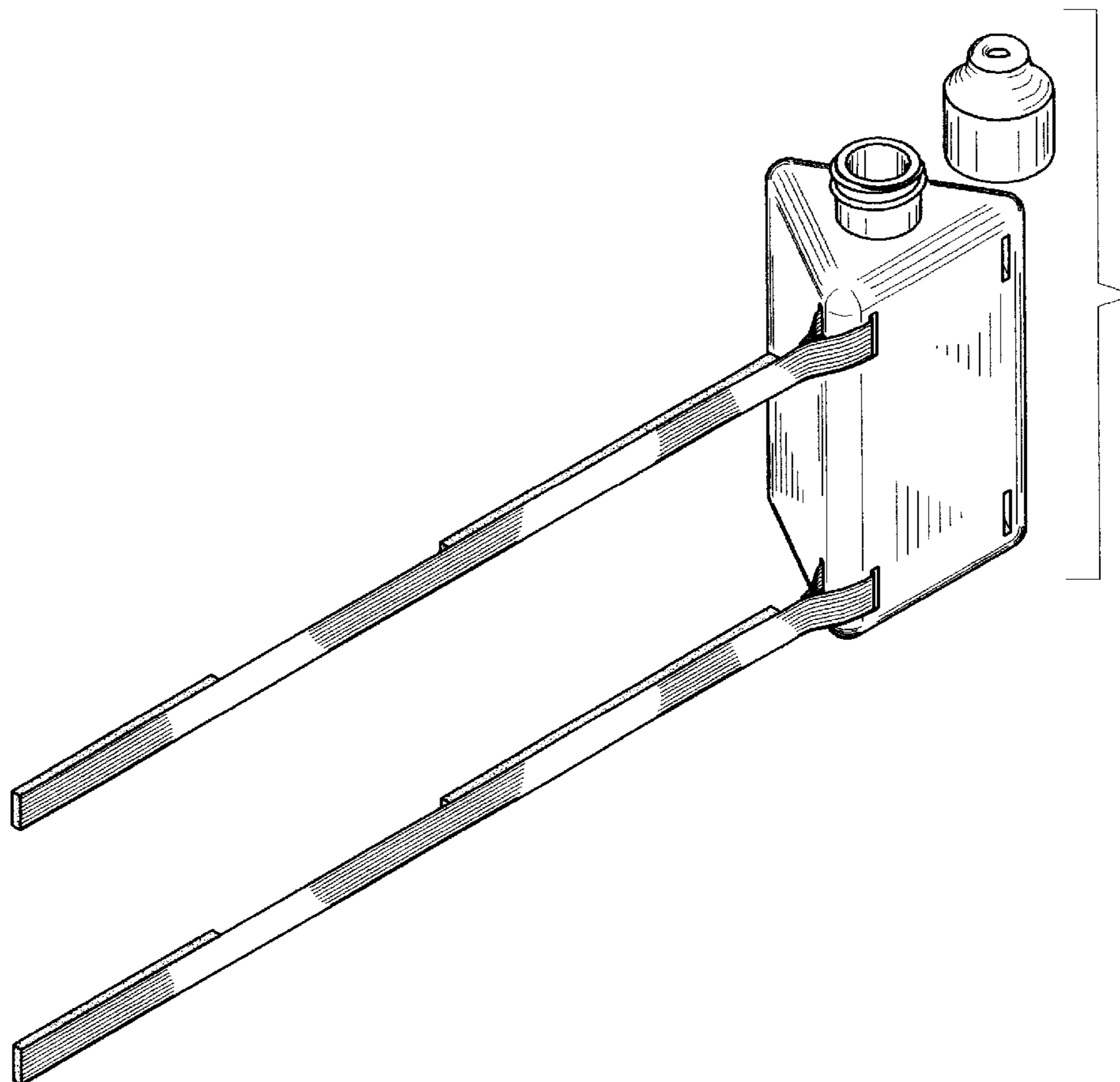
(57) **CLAIM**

The ornamental design for a wrist-attachable beverage carrier, as shown and described.

DESCRIPTION

FIG. 1 is an exploded front elevational view of a wrist-attachable beverage carrier showing my new design; FIG. 2 is a rear elevational view thereof; FIG. 3 is a top plan view thereof; FIG. 4 is a bottom plan view thereof; FIG. 5 is a right side elevational view thereof; FIG. 6 is a left side elevational view thereof; and, FIG. 7 is a perspective view thereof.

1 Claim, 3 Drawing Sheets



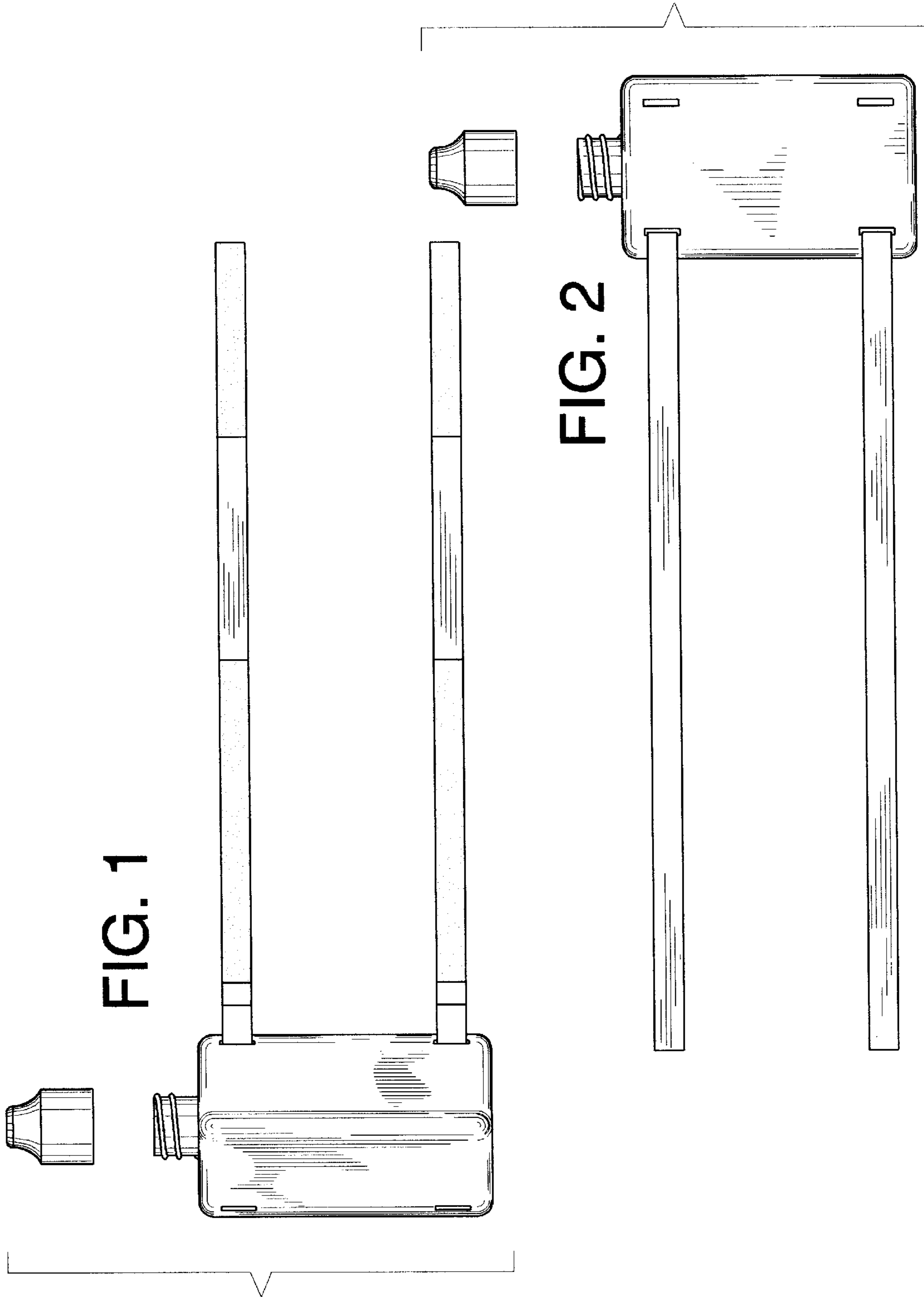
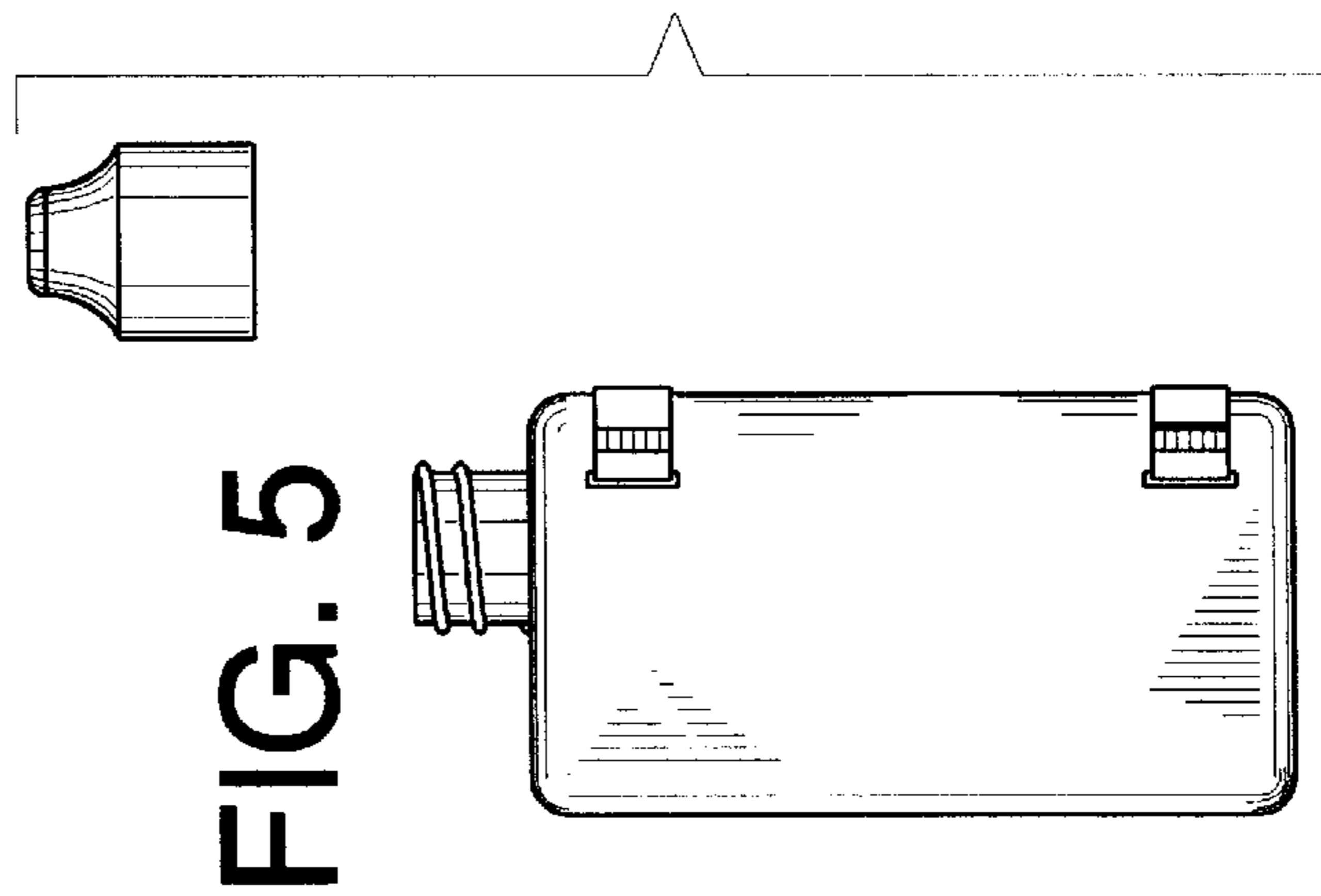
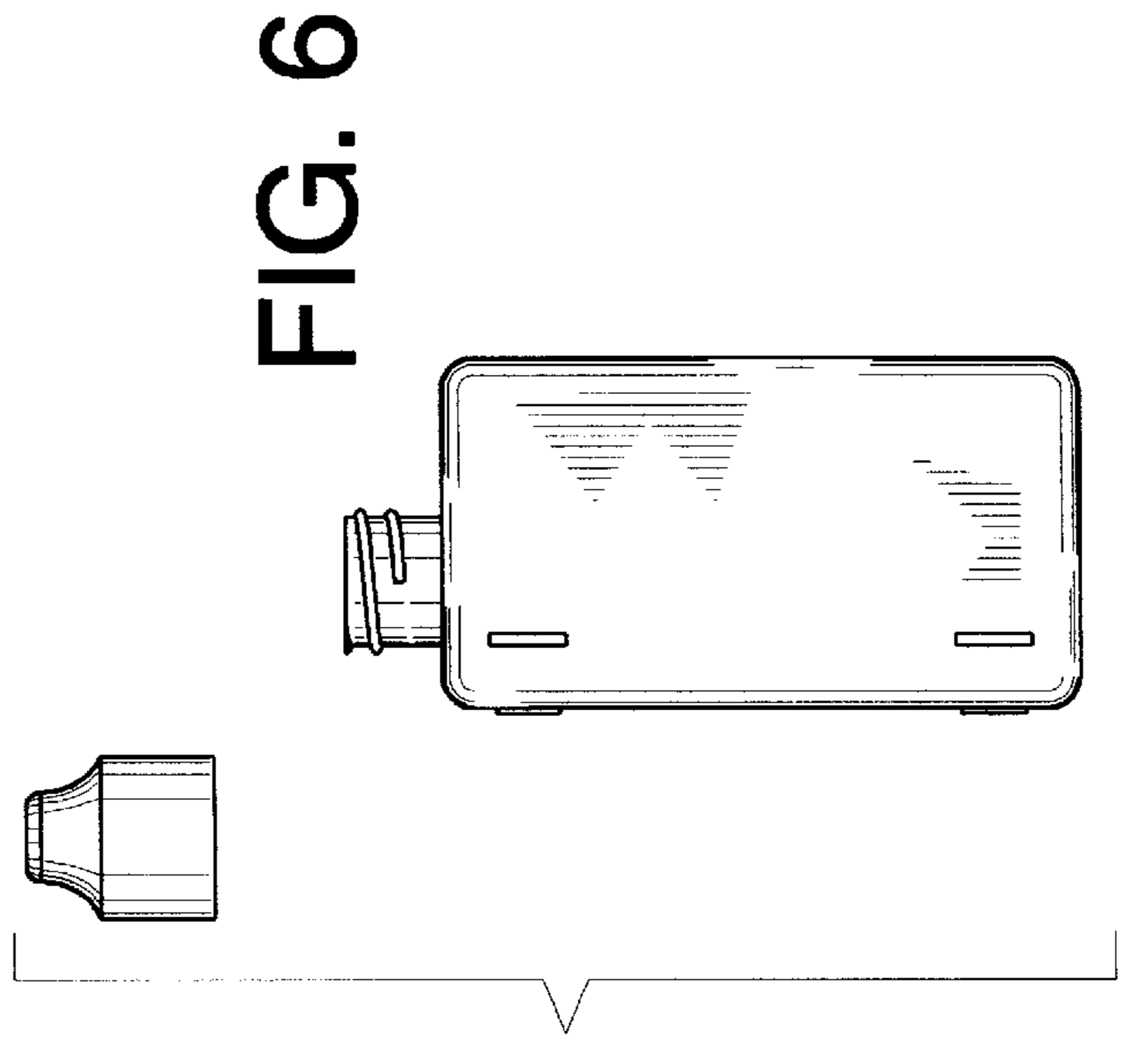
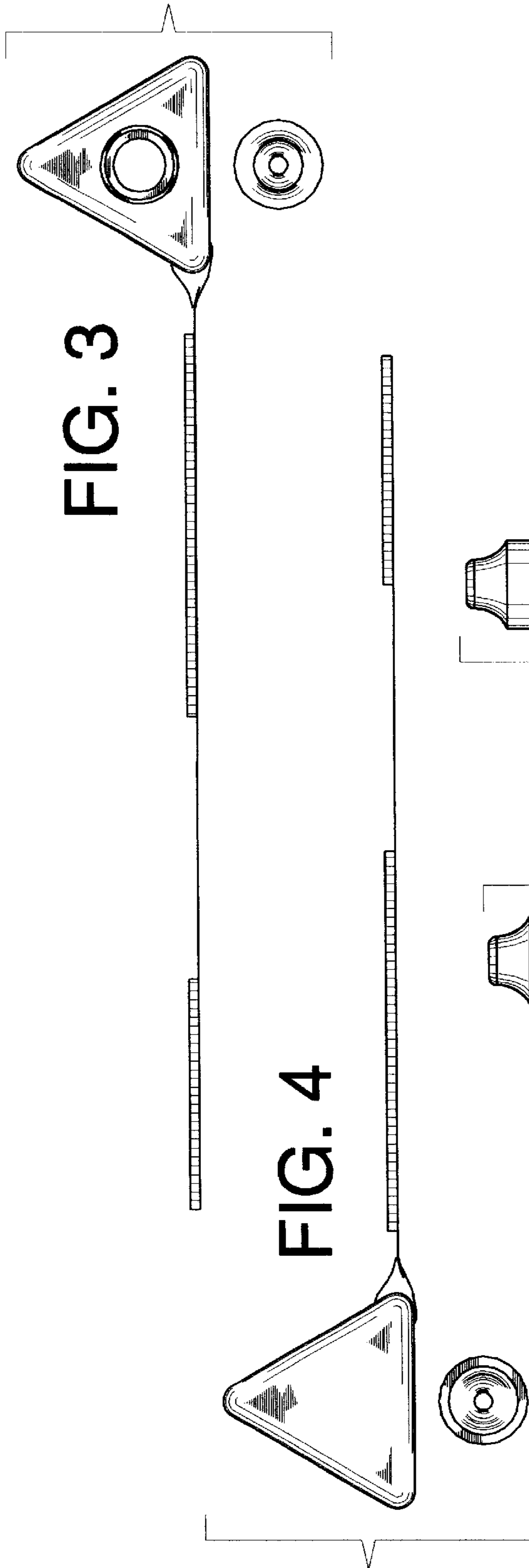


FIG. 1

FIG. 2



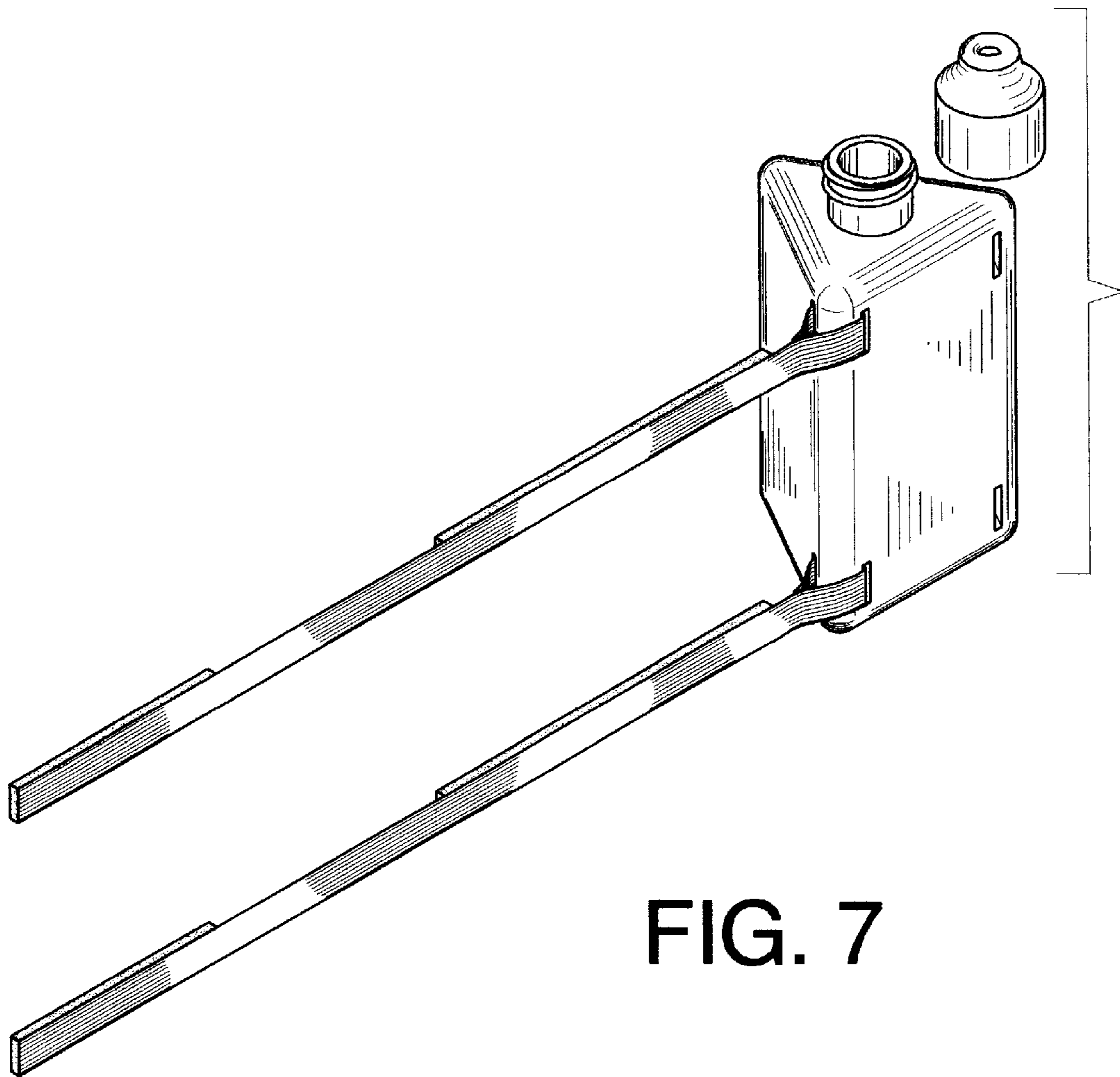


FIG. 7