



US00D563648S

(12) **United States Design Patent**  
**Belley et al.**

(10) **Patent No.:** **US D563,648 S**  
(45) **Date of Patent:** **\*\* Mar. 11, 2008**

(54) **FOOTWEAR UPPER**

(75) Inventors: **Manon Belley**, Laval (CA); **Cristian Ardissono**, Montebelluna (IT)

(73) Assignee: **Wolverine World Wide, Inc.**,  
Rockford, MI (US)

(\*\*) Term: **14 Years**

(21) Appl. No.: **29/260,088**

(22) Filed: **May 18, 2006**

(51) **LOC (8) Cl.** ..... **02-99**

(52) **U.S. Cl.** ..... **D2/969; D2/916**

(58) **Field of Classification Search** ..... D2/969,  
D2/916, 917, 918, 919, 943, 946, 972, 977;  
36/3 A, 8.1, 11.5, 45

See application file for complete search history.

(56) **References Cited**

**U.S. PATENT DOCUMENTS**

3,577,662	A *	5/1971	Fukuoka	.....	36/11.5
3,675,346	A *	7/1972	Miyachi et al.	.....	36/11.5
D224,763	S *	9/1972	Fukuoka	.....	D2/918
D251,216	S *	3/1979	Krippelz	.....	D2/916
D483,929	S *	12/2003	Tzenos	.....	D2/916
D486,626	S *	2/2004	Robbins	.....	D2/969

\* cited by examiner

*Primary Examiner*—Stella M. Reid  
*Assistant Examiner*—Rashida C. McCoy

(74) *Attorney, Agent, or Firm*—Warner Norcross & Judd  
LLP

(57) **CLAIM**

The ornamental design for footwear upper, as shown and described.

**DESCRIPTION**

FIG. 1 is a perspective view of the footwear upper embodying the new design;

FIG. 2 is an enlarged top view thereof;

FIG. 3 is a reduced left side view thereof;

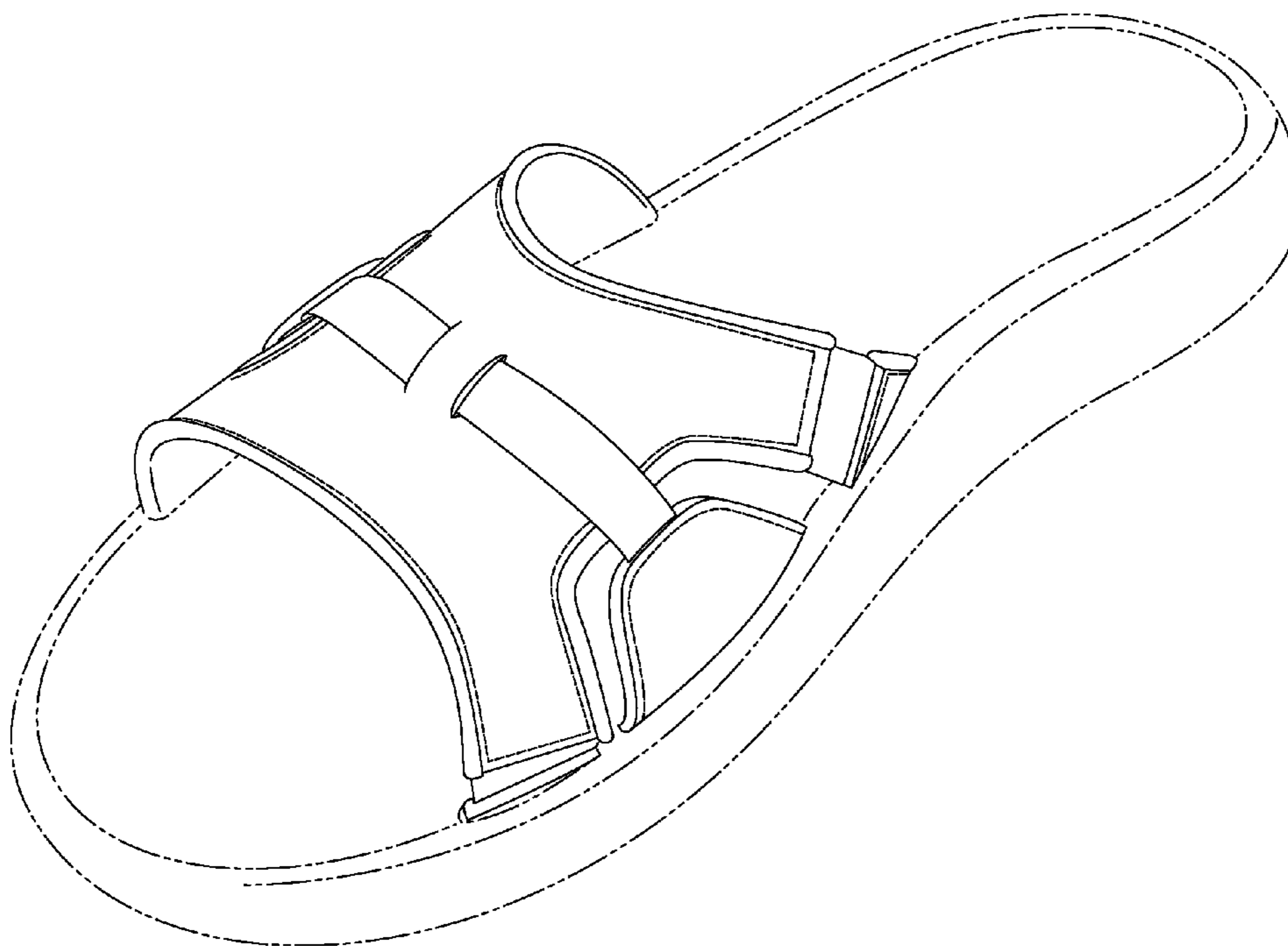
FIG. 4 is a reduced right side view thereof;

FIG. 5 is an enlarged front view thereof; and,

FIG. 6 is an enlarged back view thereof.

FIGS. 1–6 show features of an article of footwear in phantom lines. These features are shown for environmental purposes and do not form any part of the claimed design. Further, the phantom lines immediately adjacent the solid-line portions of the design form the boundary of the design, with the phantom lines forming no part of the claimed design.

**1 Claim, 4 Drawing Sheets**



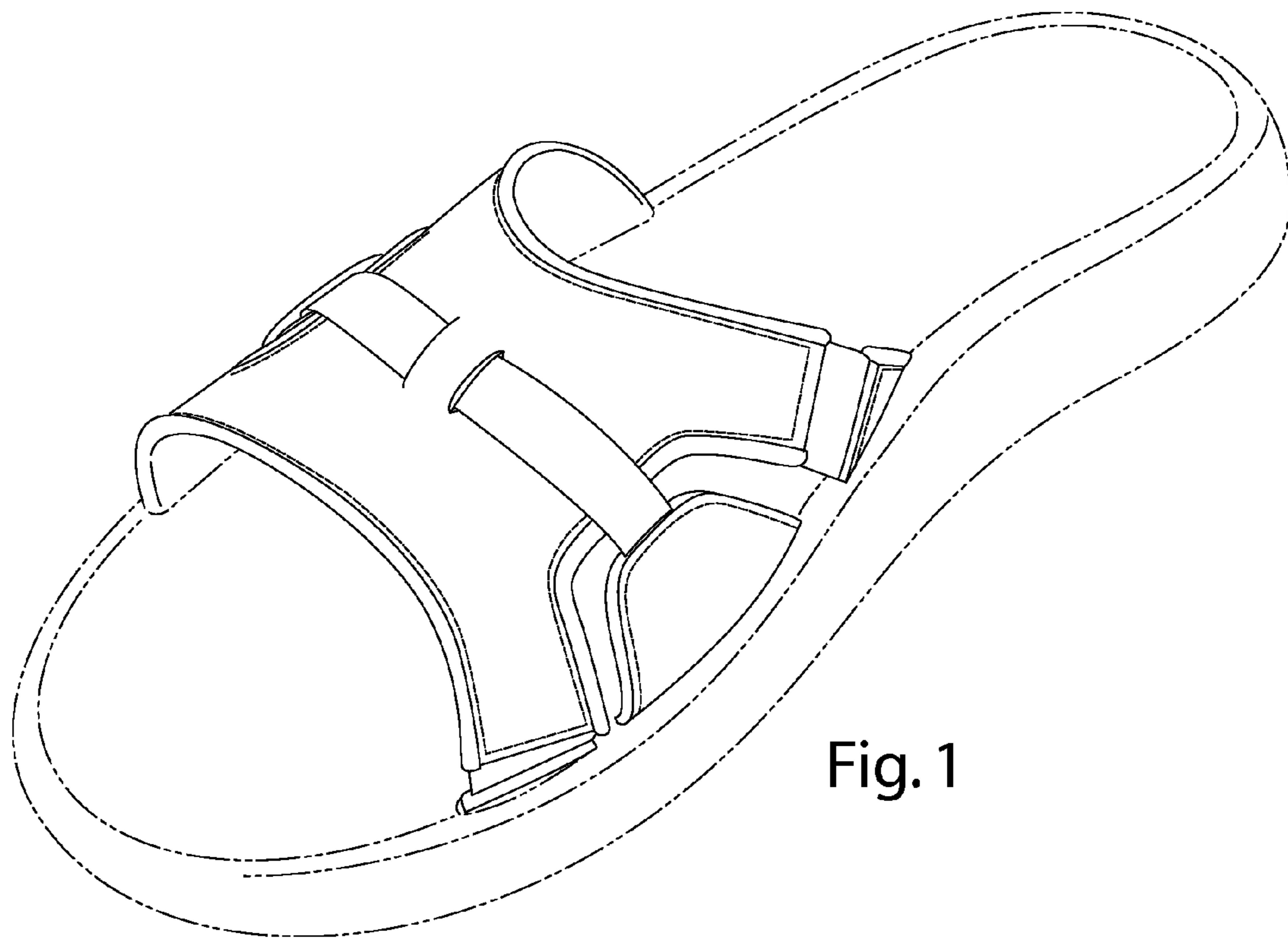


Fig. 1

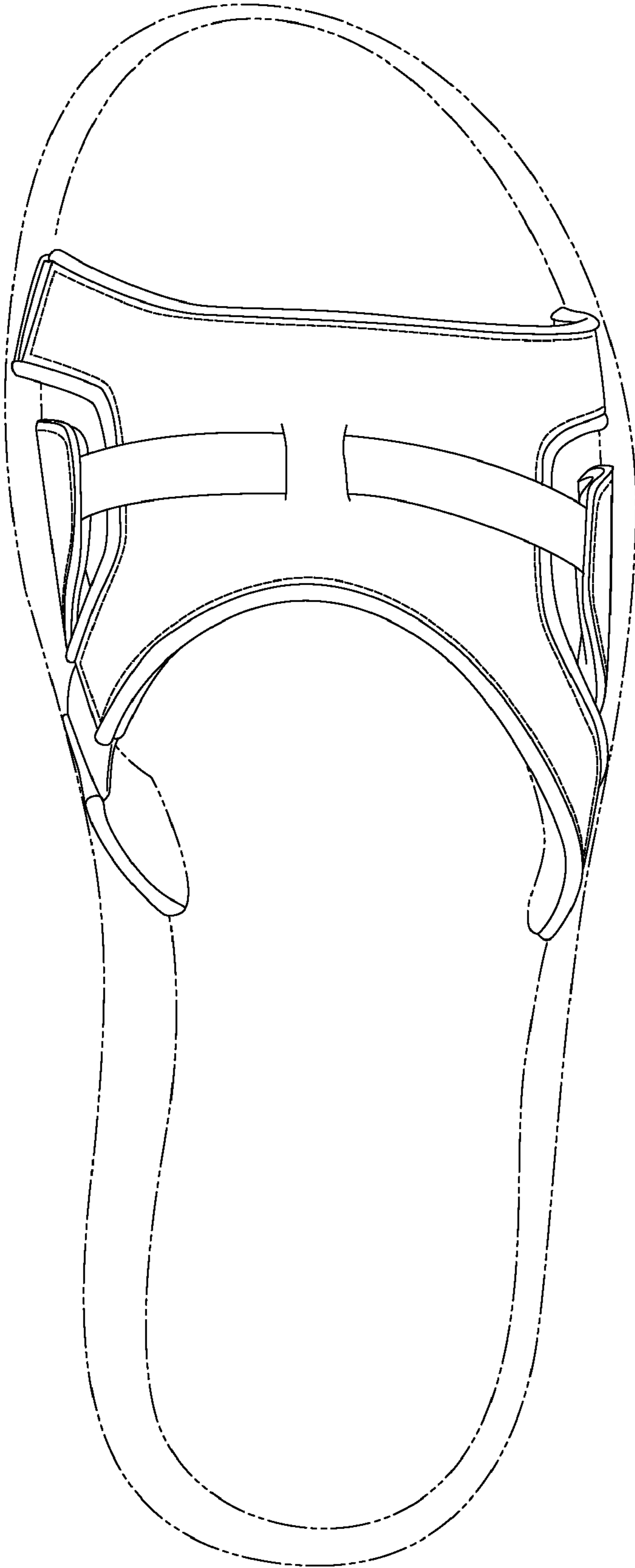


Fig. 2

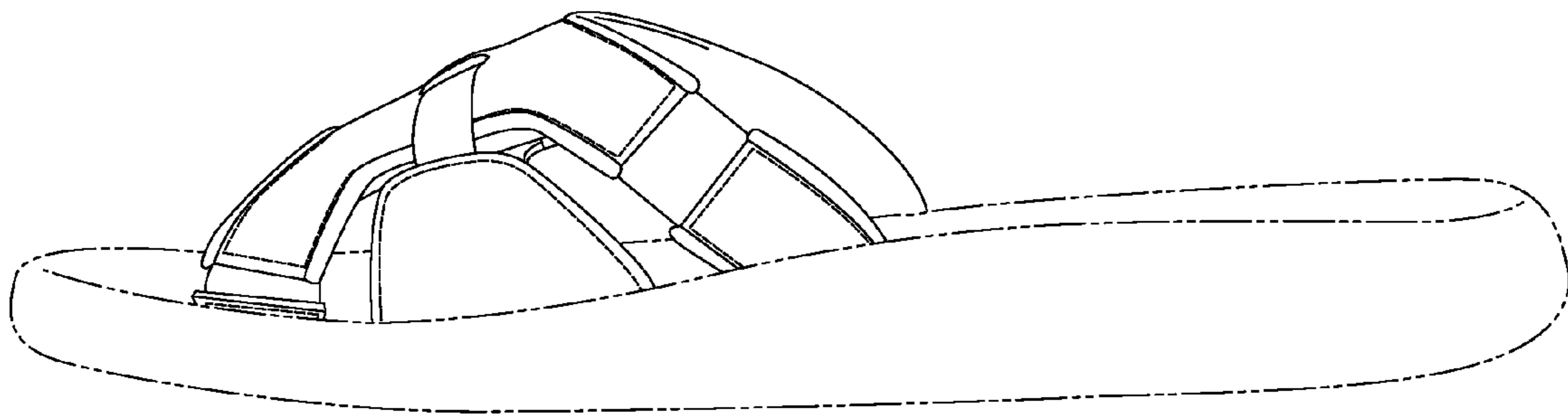


Fig. 3

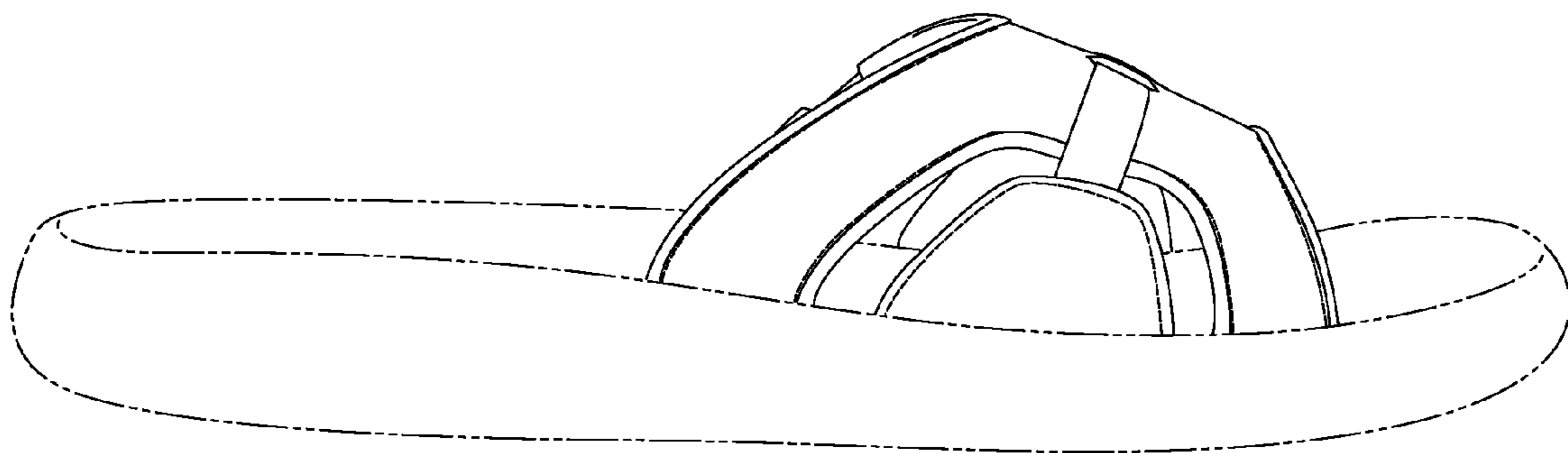


Fig. 4

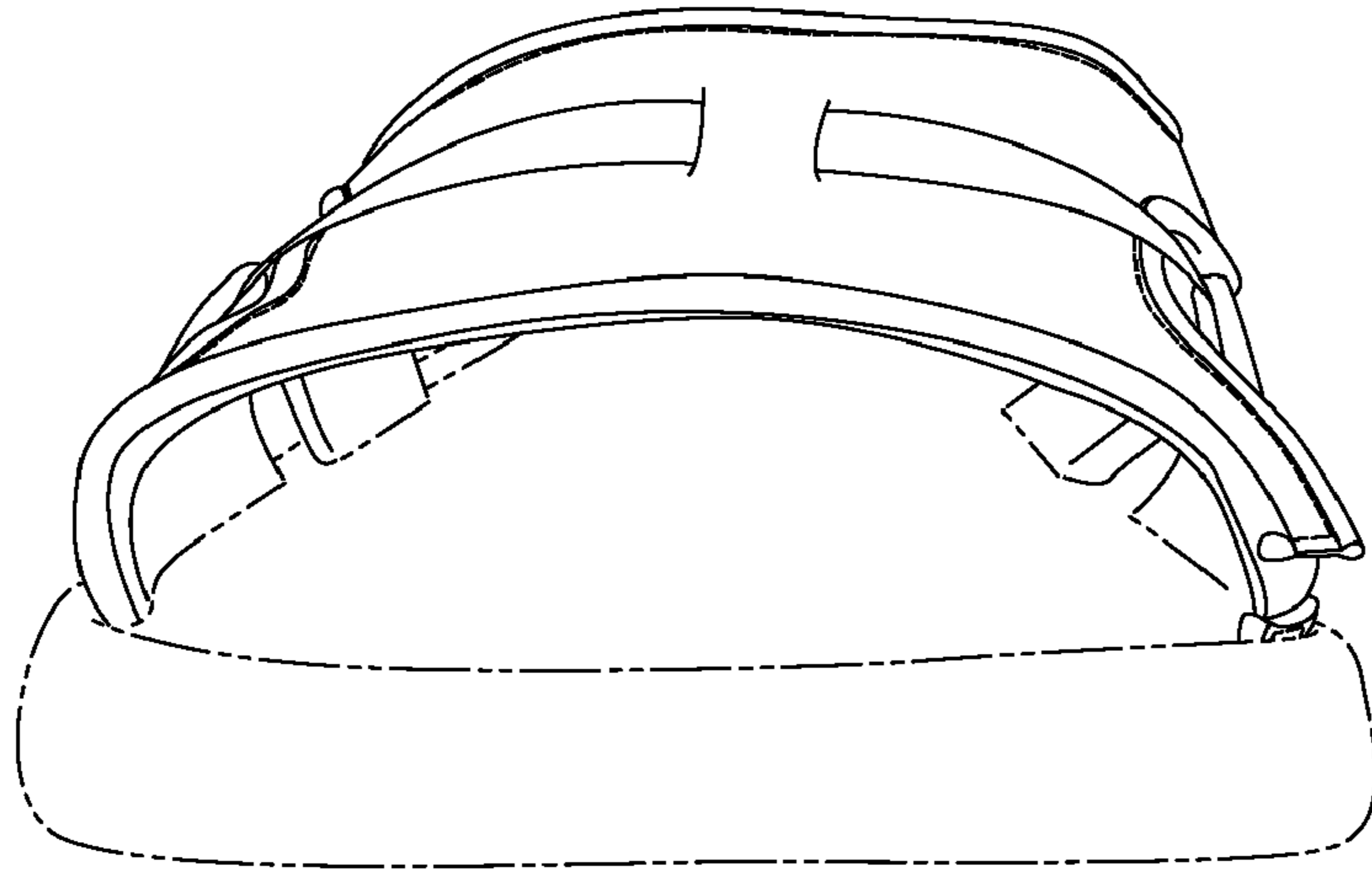


Fig. 5

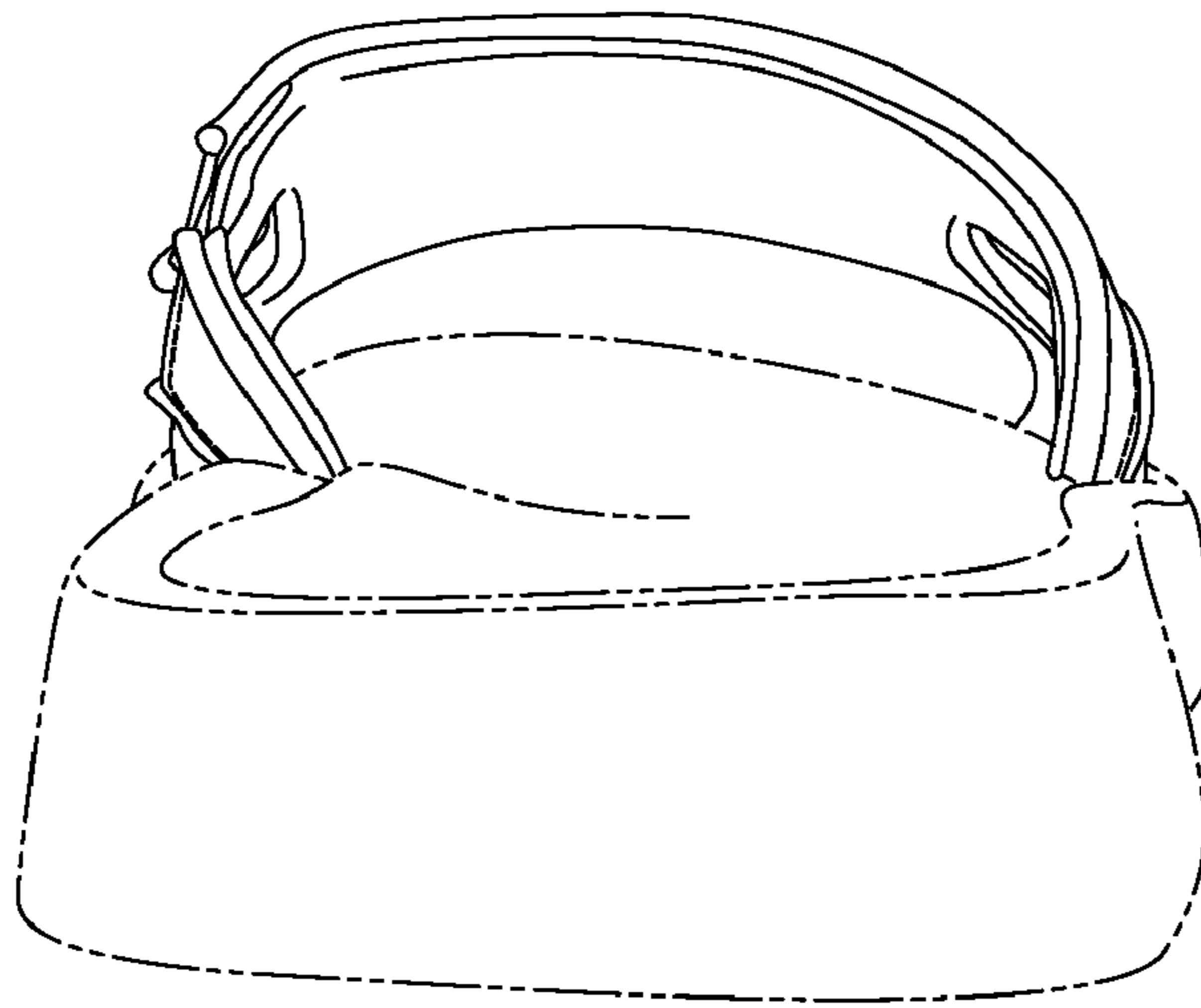


Fig. 6