



US00D563623S

(12) **United States Design Patent**  
**Hernandez**

(10) **Patent No.:** **US D563,623 S**  
(45) **Date of Patent:** **\*\* Mar. 4, 2008**

(54) **QUAD CASTER JACK APPARATUS**

(75) Inventor: **Hector R. Hernandez**, Fullerton, CA  
(US)

(73) Assignee: **Alltrade Tools LLC**, Long Beach, CA  
(US)

(\*\*) Term: **14 Years**

(21) Appl. No.: **29/282,853**

(22) Filed: **Jul. 31, 2007**

**Related U.S. Application Data**

(63) Continuation of application No. 29/276,496, filed on Jan. 26, 2007, now Pat. No. Des. 548,922, which is a continuation of application No. 29/236,626, filed on Aug. 17, 2005, now Pat. No. Des. 537,225.

(51) **LOC (8) Cl.** ..... **12-05**

(52) **U.S. Cl.** ..... **D34/31**

(58) **Field of Classification Search** ..... D34/28,  
D34/31; 254/873, 93 H, 2 B, DIG. 3, 11,  
254/45, DIG. 8

See application file for complete search history.

(56) **References Cited**

**U.S. PATENT DOCUMENTS**

|           |     |         |                    |       |         |
|-----------|-----|---------|--------------------|-------|---------|
| 2,133,839 | A * | 10/1938 | Addor              | ..... | 362/139 |
| 2,188,677 | A * | 1/1940  | Dickinson          | ..... | 362/496 |
| 2,219,903 | A * | 10/1940 | Pfauser            | ..... | 362/486 |
| 2,568,289 | A * | 9/1951  | Morey              | ..... | 254/8 B |
| 2,580,699 | A * | 1/1952  | Pfetzing           | ..... | 362/138 |
| D211,256  | S * | 6/1968  | Freudenthal et al. | ..... | D34/31  |
| D235,751  | S * | 7/1975  | Butorac            | ..... | D34/31  |
| 3,936,668 | A * | 2/1976  | Siebel             | ..... | 362/486 |
| D245,493  | S * | 8/1977  | Kenig              | ..... | D34/31  |
| 4,222,548 | A * | 9/1980  | John               | ..... | 254/8 B |
| 4,241,899 | A * | 12/1980 | Kaneko             | ..... | 254/8 B |
| 4,241,900 | A * | 12/1980 | Okuda              | ..... | 254/8 B |
| 4,251,056 | A * | 2/1981  | Maniglia           | ..... | 254/8 B |
| 4,277,048 | A * | 7/1981  | Okuda              | ..... | 254/8 B |
| D263,036  | S * | 2/1982  | Hung               | ..... | D34/31  |

|           |     |         |                  |       |            |
|-----------|-----|---------|------------------|-------|------------|
| D263,128  | S * | 2/1982  | Glover et al.    | ..... | D34/31     |
| D286,934  | S * | 11/1986 | Hung             | ..... | D34/31     |
| 4,629,391 | A * | 12/1986 | Soyk et al.      | ..... | 414/563    |
| 4,704,062 | A * | 11/1987 | Hale             | ..... | 414/494    |
| 4,765,593 | A * | 8/1988  | Hung             | ..... | 254/8 B    |
| 4,886,243 | A * | 12/1989 | Trumbull         | ..... | 254/88     |
| 5,201,494 | A * | 4/1993  | Lundman          | ..... | 254/8 B    |
| D345,843  | S * | 4/1994  | Collins          | ..... | D34/31     |
| 5,345,845 | A * | 9/1994  | Myers            | ..... | 81/57.29   |
| D364,026  | S * | 11/1995 | Hung             | ..... | D34/31     |
| 5,477,406 | A * | 12/1995 | Schaeffer et al. | ..... | 360/130.33 |
| D388,926  | S * | 1/1998  | Sorensen         | ..... | D34/31     |
| D398,730  | S * | 9/1998  | Lin              | ..... | D34/31     |
| 5,947,447 | A * | 9/1999  | Sorensen         | ..... | 254/1      |
| D416,370  | S * | 11/1999 | Hung             | ..... | D34/31     |
| D425,282  | S * | 5/2000  | Sorensen         | ..... | D34/31     |
| D442,345  | S * | 5/2001  | Lee et al.       | ..... | D34/31     |
| D449,915  | S * | 10/2001 | Chang            | ..... | D34/31     |
| D485,039  | S * | 1/2004  | Hussaini et al.  | ..... | D34/31     |
| D537,225  | S * | 2/2007  | Hernandez        | ..... | D34/31     |

\* cited by examiner

*Primary Examiner*—Cynthia E Ramirez

(74) *Attorney, Agent, or Firm*—Fulwider Patton LLP

(57) **CLAIM**

The new ornamental design of a quad caster jack apparatus, as shown and described.

**DESCRIPTION**

FIG. 1 is a perspective view of a quad caster jack of the present invention;

FIG. 2 is an enlarged perspective view of a quad caster jack of FIG. 1;

FIG. 3 is a side elevation view of the quad caster jack of FIG. 1;

FIG. 4 is a top plan view of the quad caster jack of FIG. 1;

FIG. 5 is a front elevation view of the quad caster jack of FIG. 1; and,

FIG. 6 is a rear elevation view of the quad caster jack of FIG. 1.

**1 Claim, 5 Drawing Sheets**

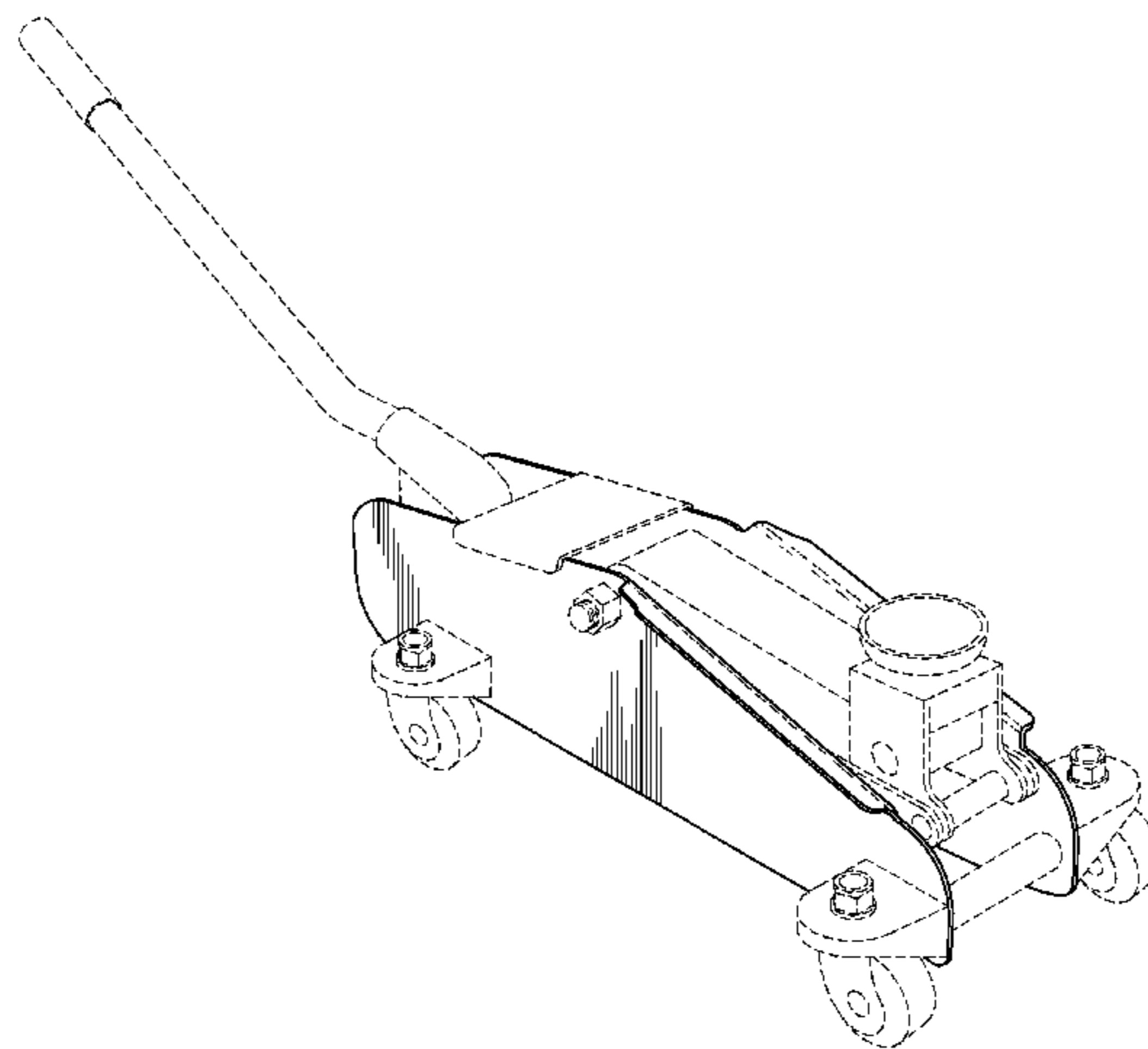
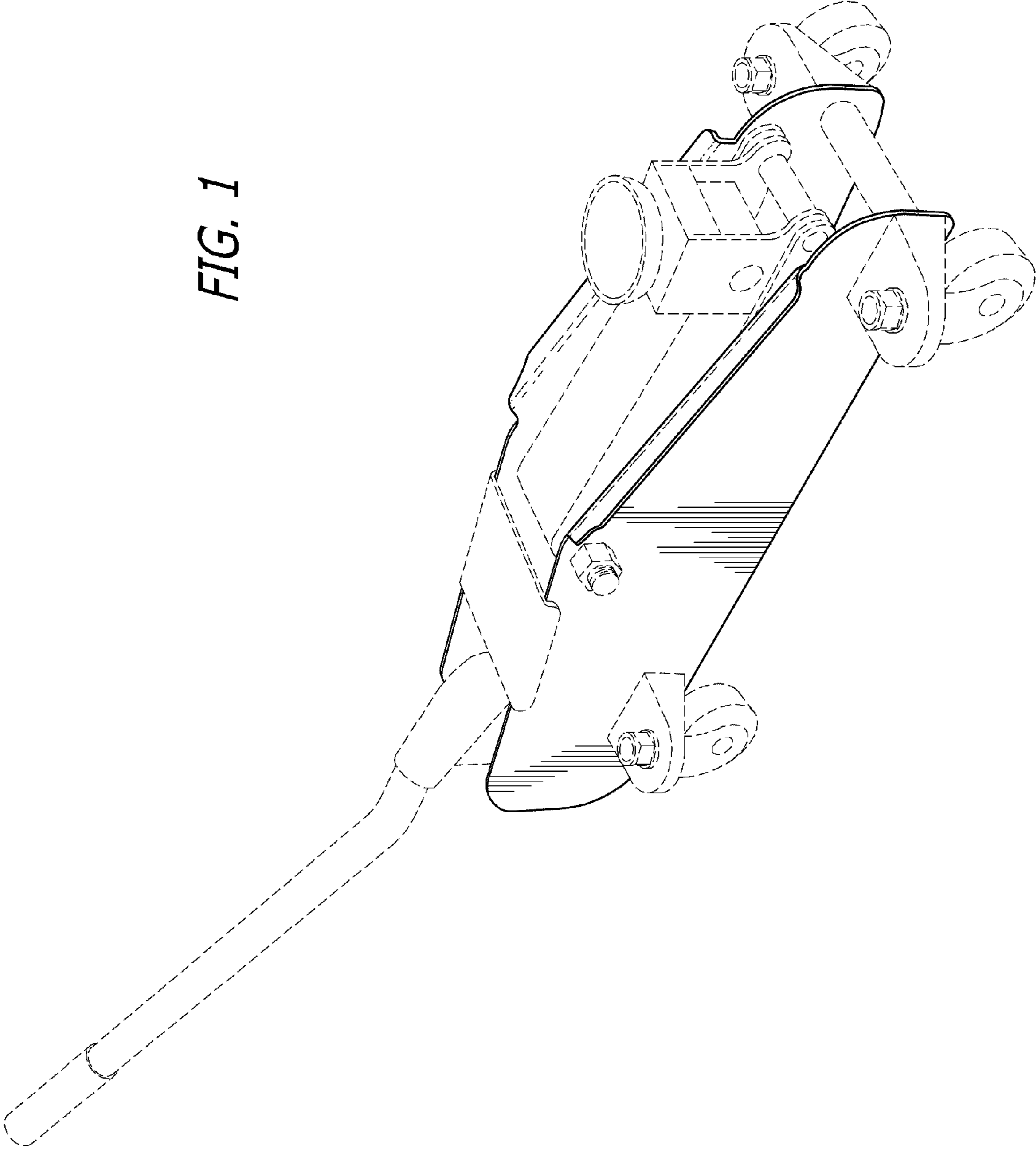


FIG. 1



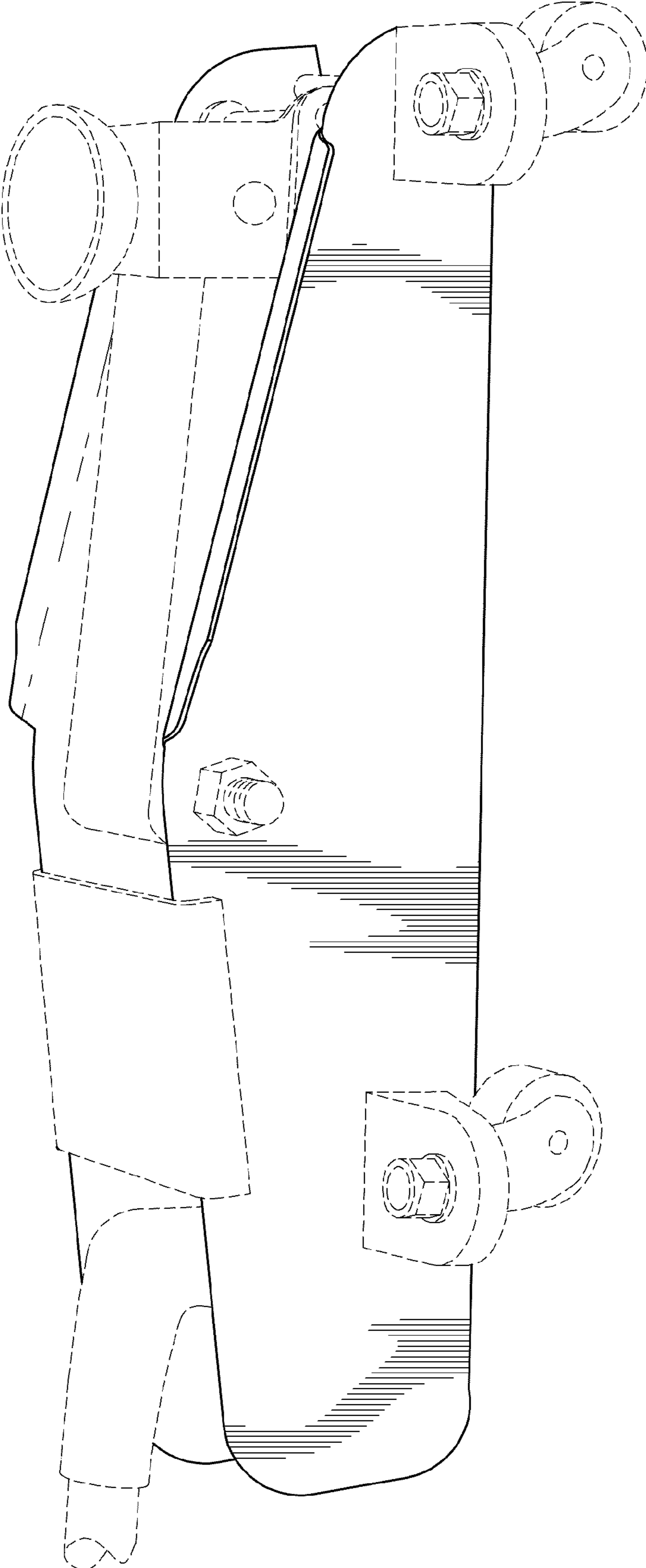


FIG. 2

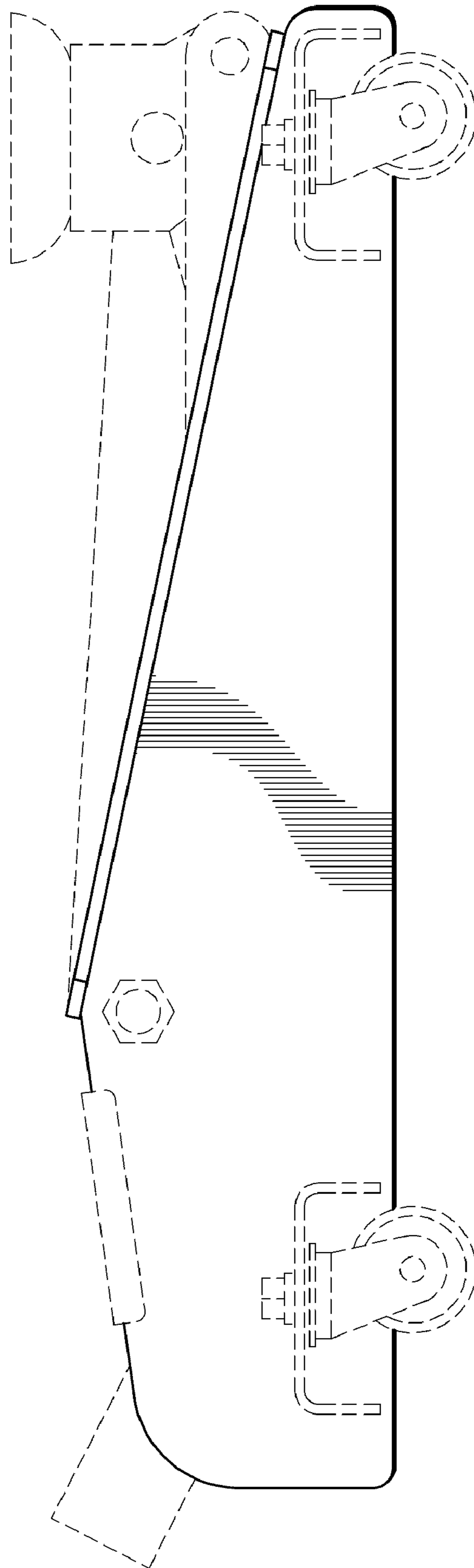


FIG. 3

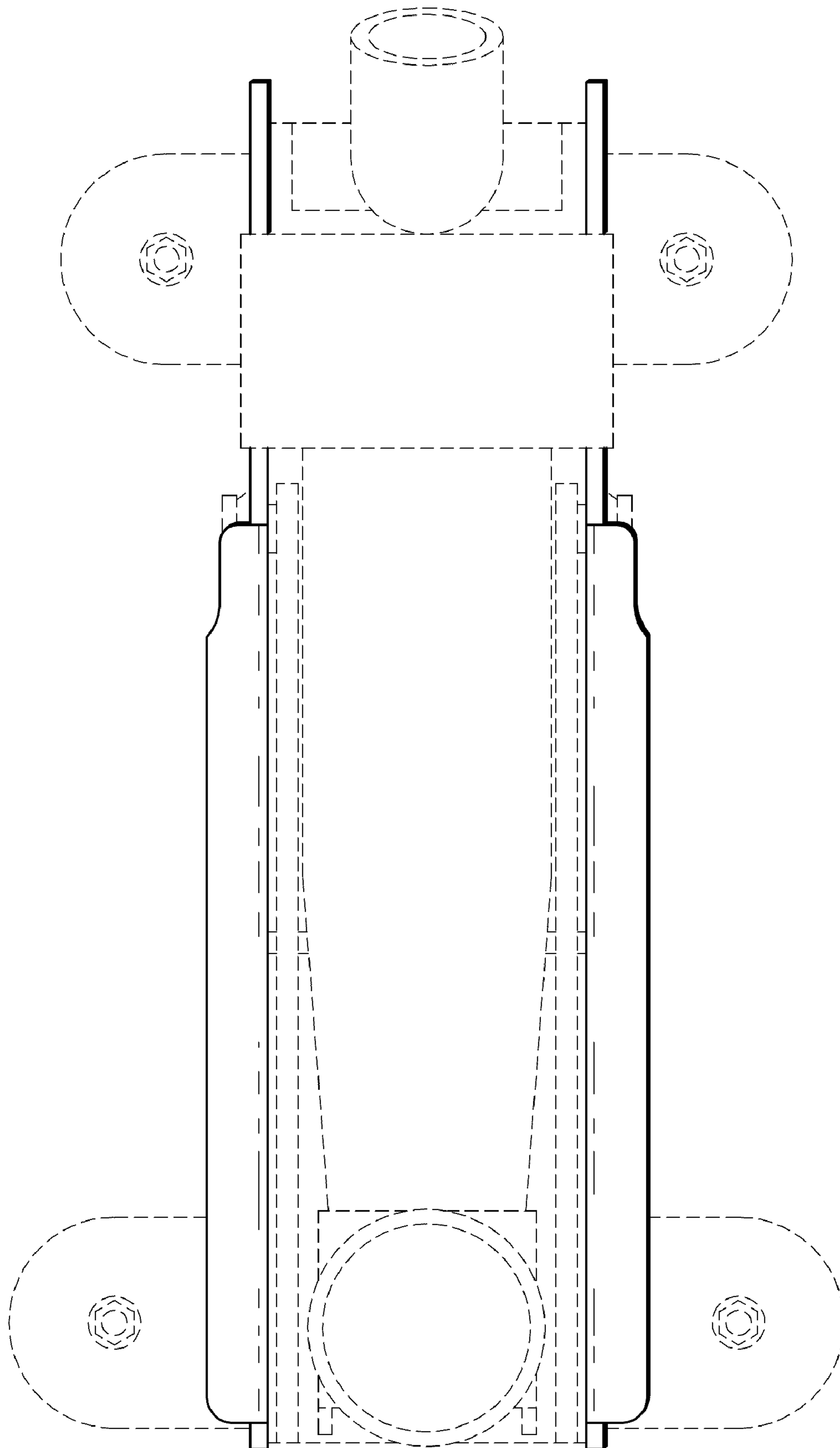
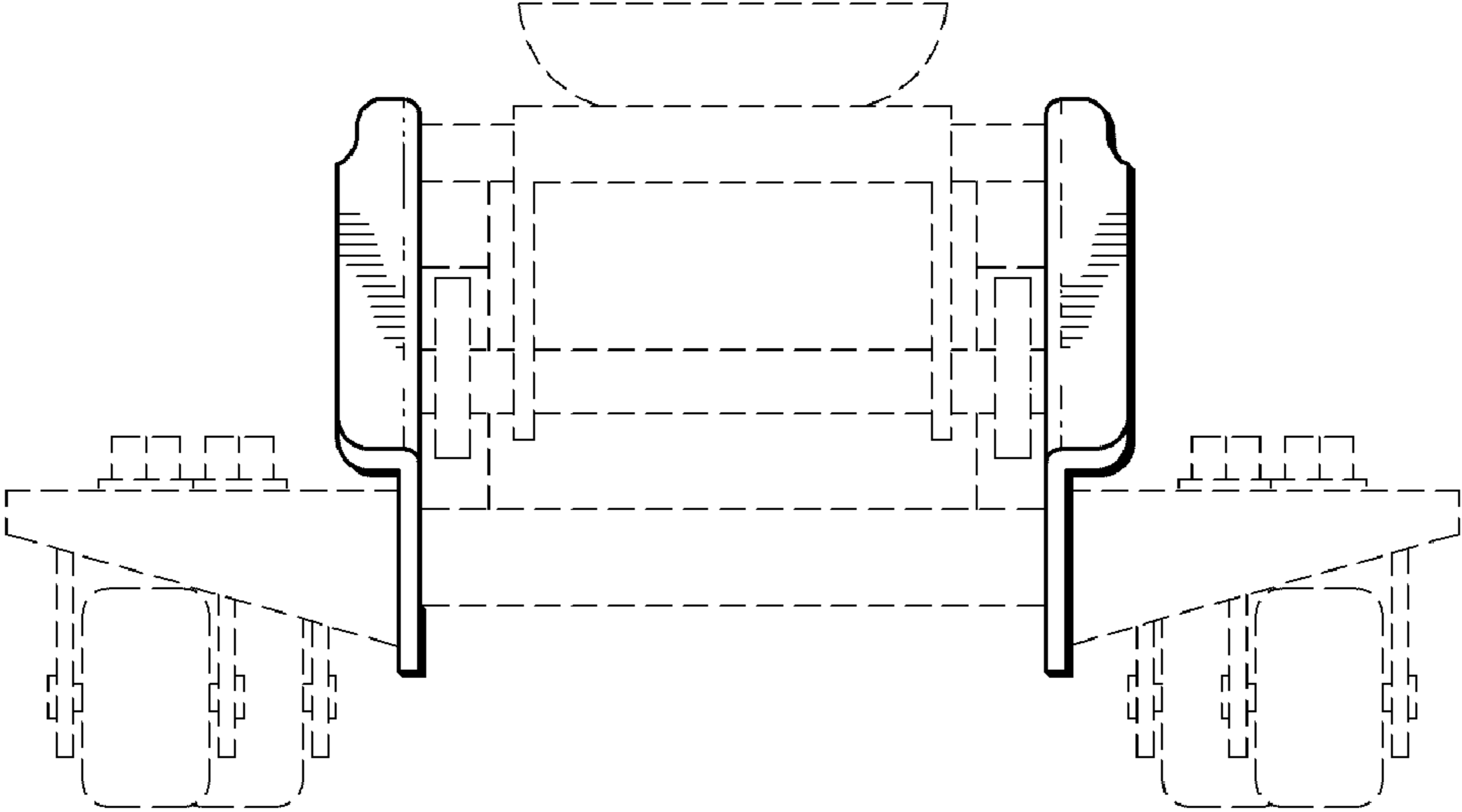
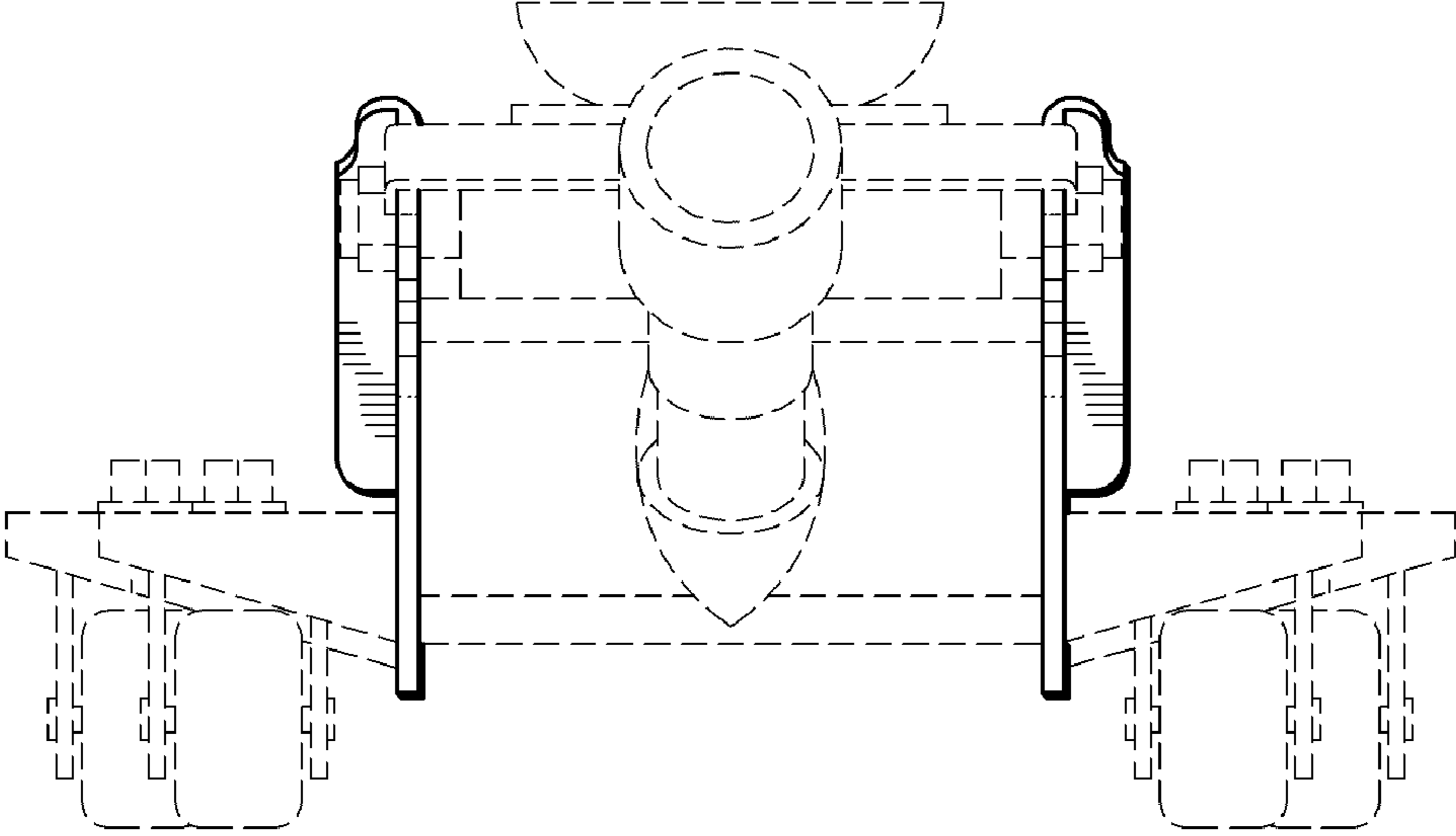


FIG. 4



*FIG. 5*



*FIG. 6*