



US00D563622S

(12) **United States Design Patent** (10) **Patent No.:** **US D563,622 S**  
**Im** (45) **Date of Patent:** **\*\* Mar. 4, 2008**

(54) **INLET USED FOR ESCALATOR**

(75) Inventor: **Chul Soon Im**, Seongnam-si (KR)

(73) Assignee: **I & K International Co., Ltd.**, Seoul (KR)

(\*\*) Term: **14 Years**

(21) Appl. No.: **29/264,674**

(22) Filed: **Aug. 15, 2006**

(30) **Foreign Application Priority Data**

Feb. 16, 2006 (KR) ..... 30-2006-0005865

(51) **LOC (8) Cl.** ..... **12-05**

(52) **U.S. Cl.** ..... **D34/30**

(58) **Field of Classification Search** ..... D34/28,  
D34/33, 35, 30; 198/338, 335, 324  
See application file for complete search history.

(56) **References Cited**

**U.S. PATENT DOCUMENTS**

3,970,187 A \* 7/1976 Esaki et al. .... 198/338  
D296,374 S \* 6/1988 Herrmann et al. .... D34/28  
D344,384 S \* 2/1994 Yamamoto et al. .... D34/30  
7,134,539 B2 \* 11/2006 Kim ..... 198/338

\* cited by examiner

*Primary Examiner*—Cynthia E. Ramirez  
(74) *Attorney, Agent, or Firm*—The Webb Law Firm

(57) **CLAIM**

The ornamental design of an inlet used for escalator, as shown and described.

**DESCRIPTION**

FIG. 1 is a perspective view of the inlet used for escalator showing the new design; the dashed oval indicates an area shown enlarged in FIG. 9;

FIG. 2 is a front view thereof;

FIG. 3 is a rear view thereof;

FIG. 4 is a left side view thereof;

FIG. 5 is a right side thereof;

FIG. 6 is a top plan view thereof;

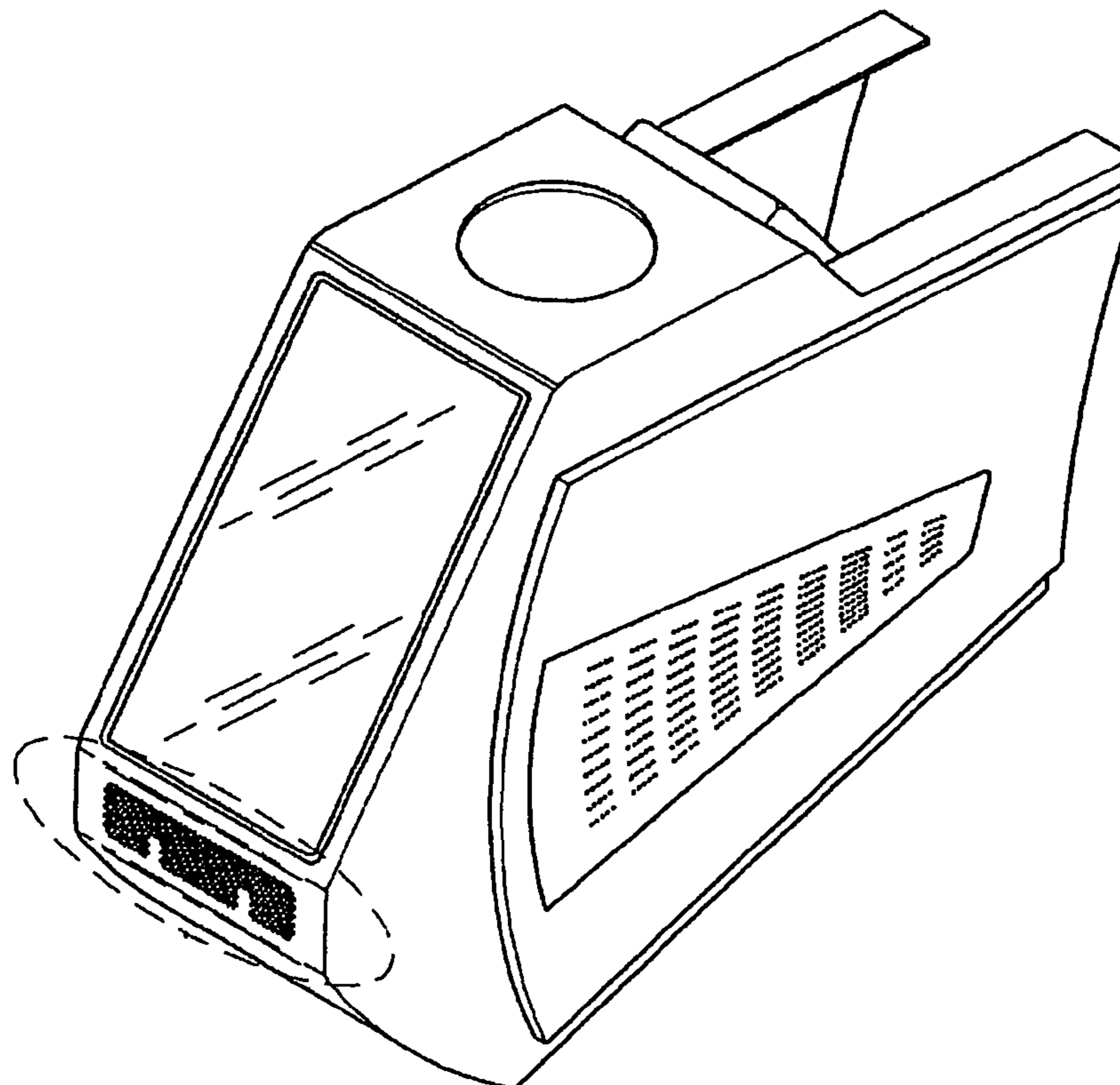
FIG. 7 is a bottom plan view thereof;

FIG. 8 is an illustrative perspective view thereof; and,

FIG. 9 is an enlarged view of the portion illustrated in FIG. 1 encircled by the dashed oval.

The broken line showing of FIG. 8 is environmental only and not part of the claimed design.

**1 Claim, 6 Drawing Sheets**



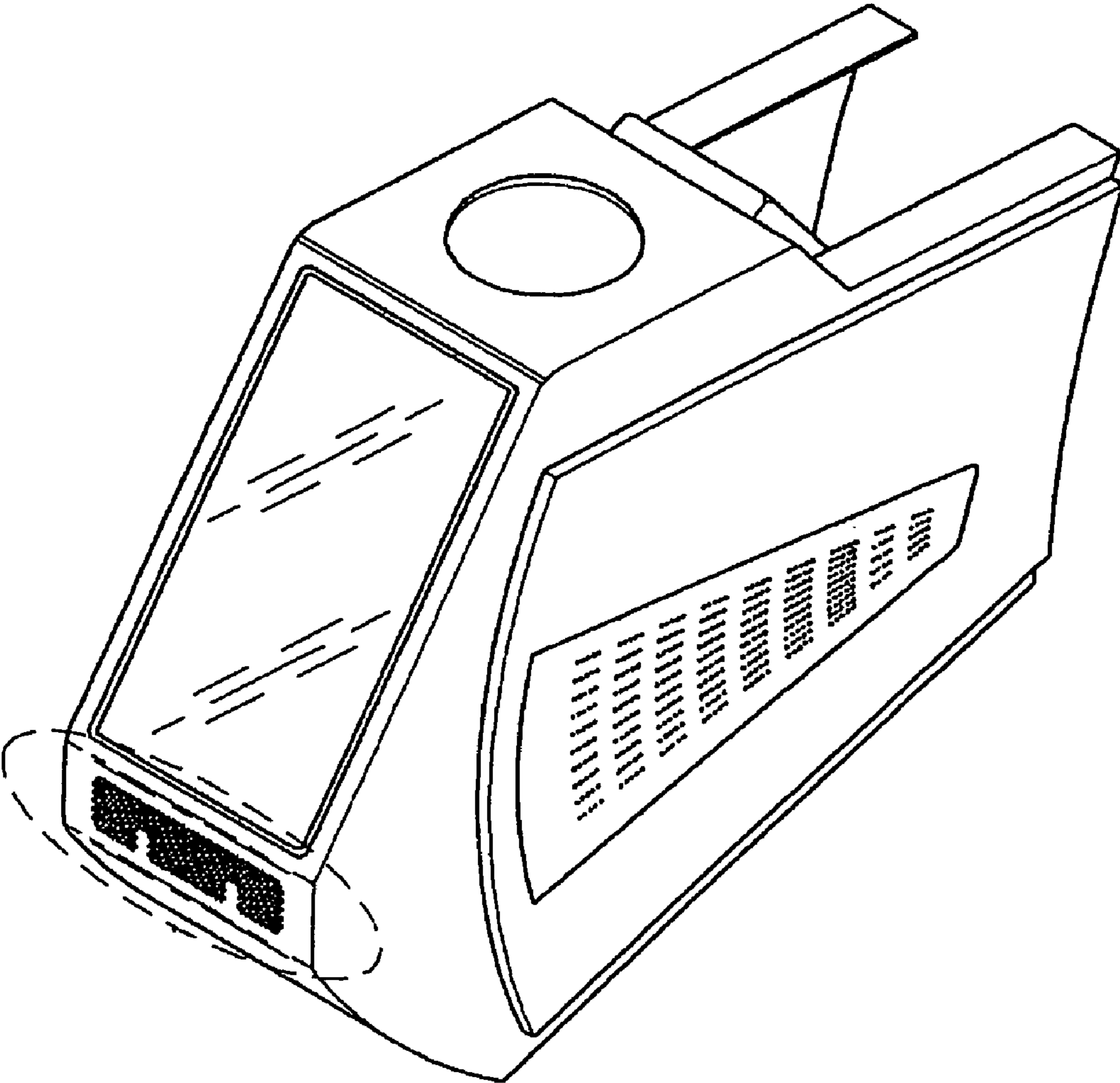


Fig. 1

Front view

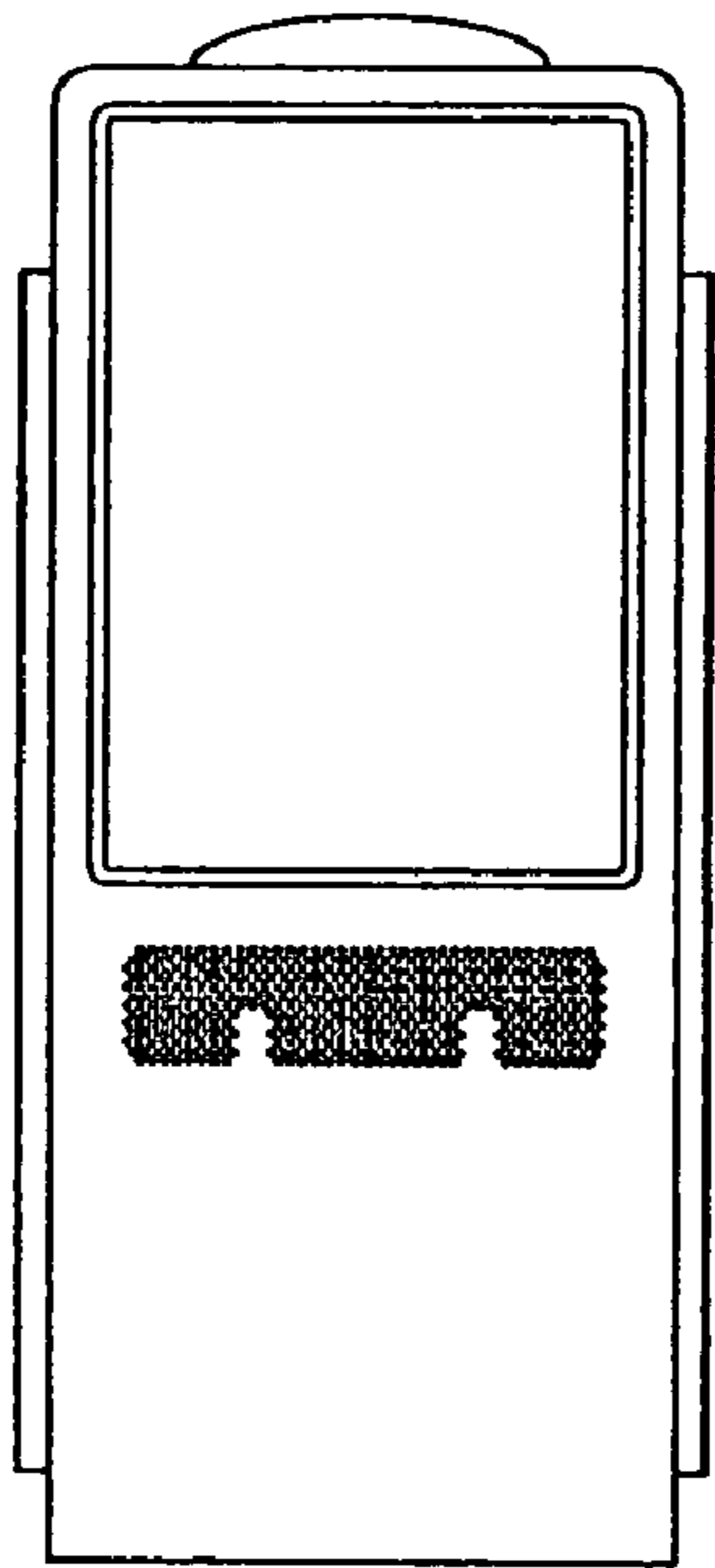


Fig. 2

Rear view

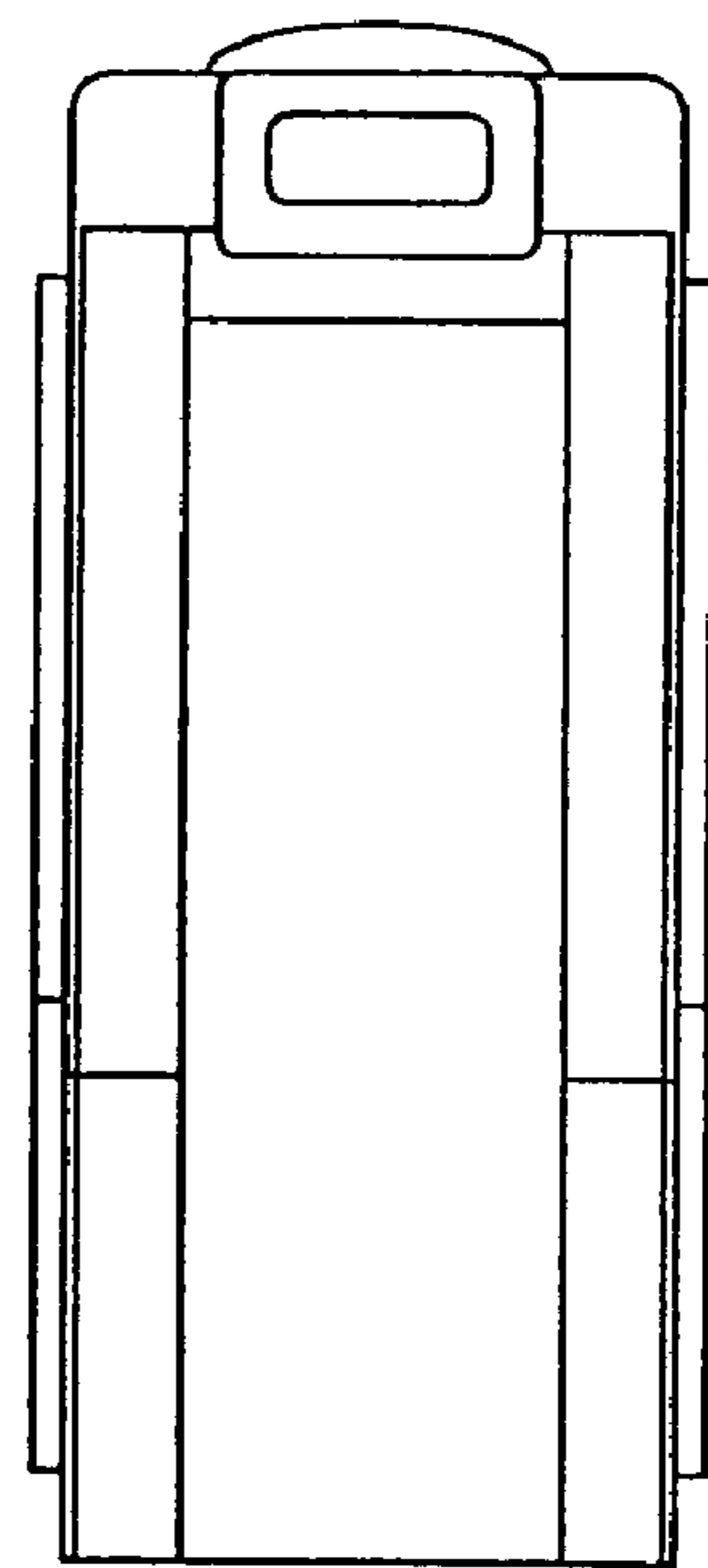


Fig. 3

Left side view

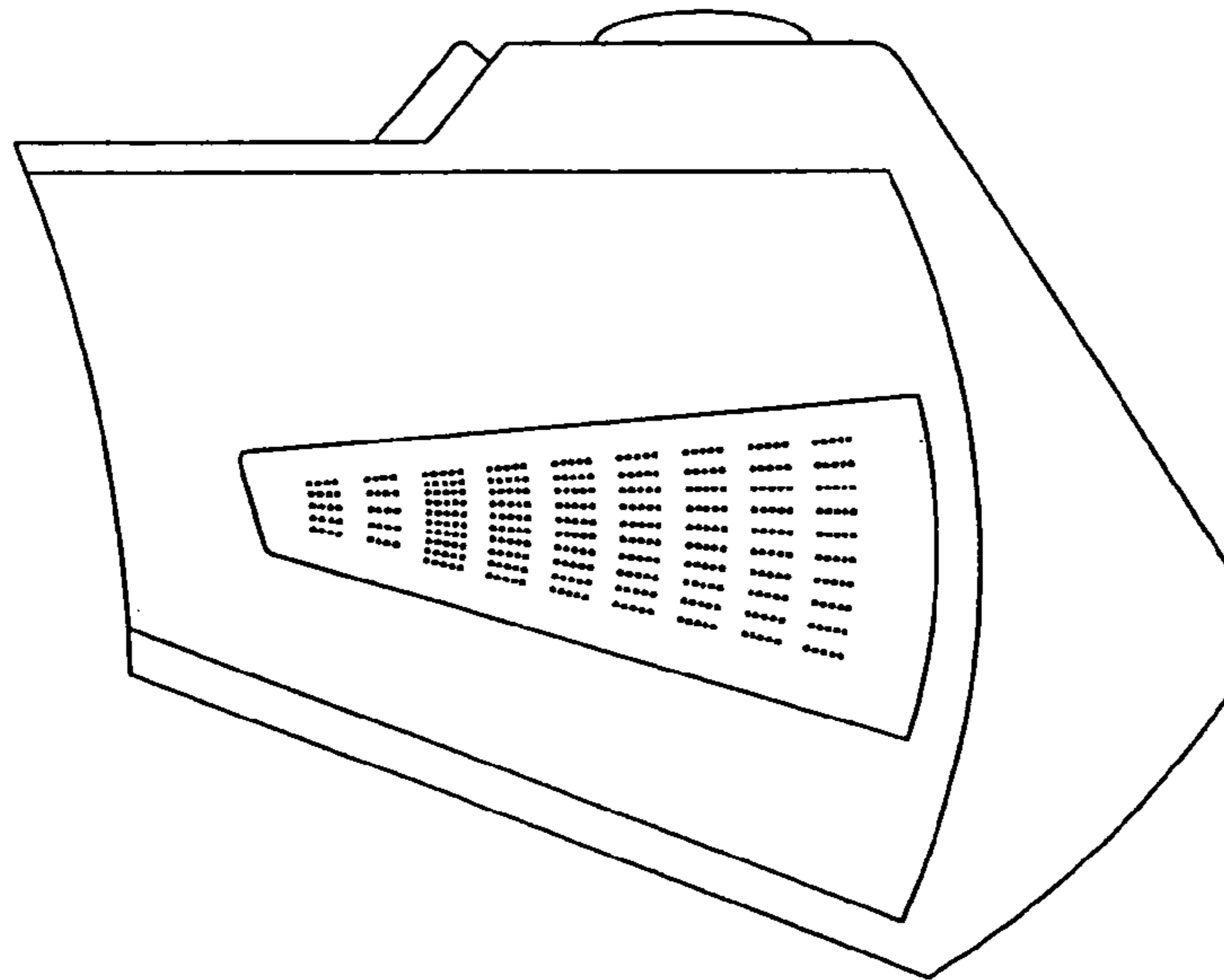


Fig. 4

Right side view

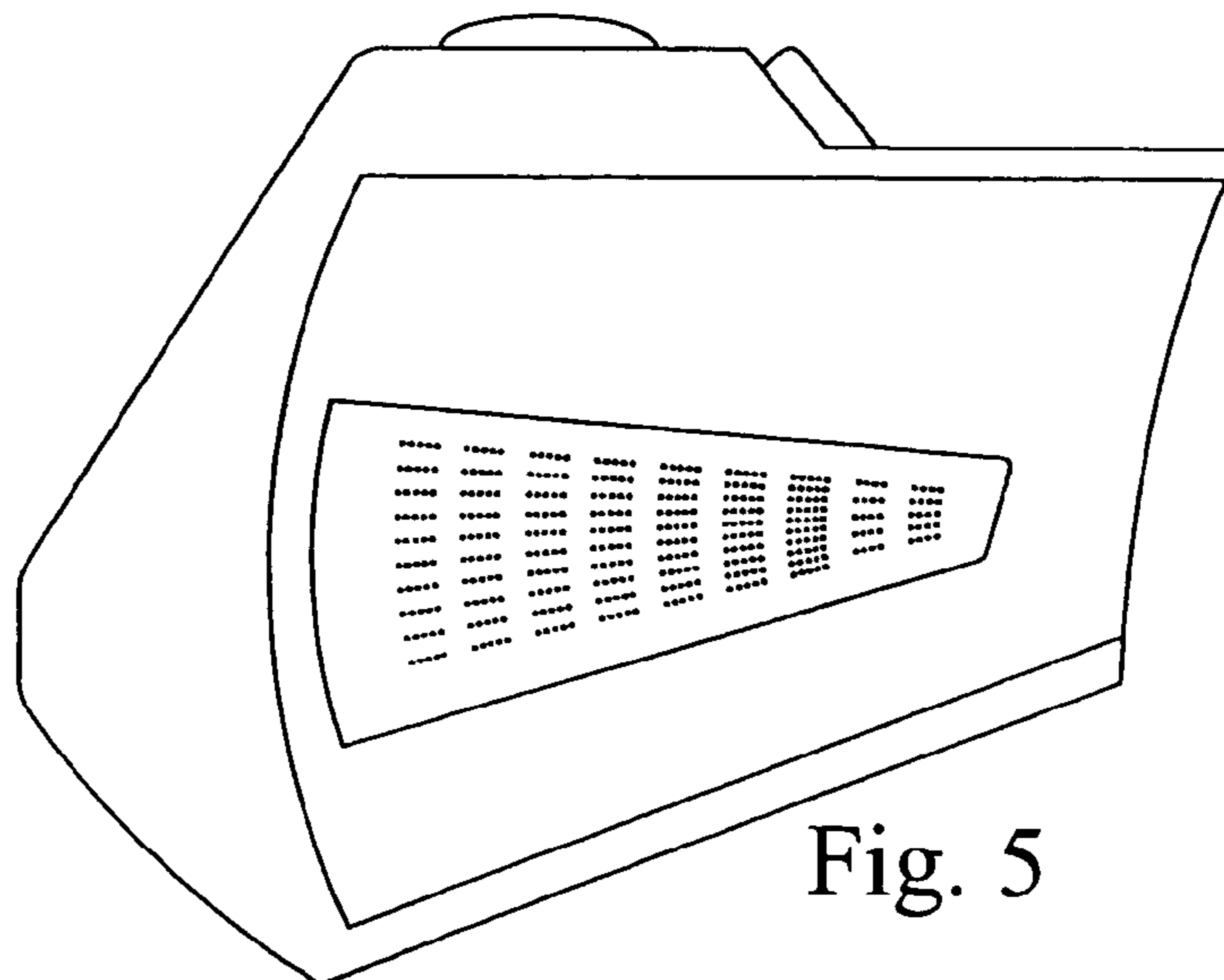


Fig. 5

Floor plan view

Bottom plan view

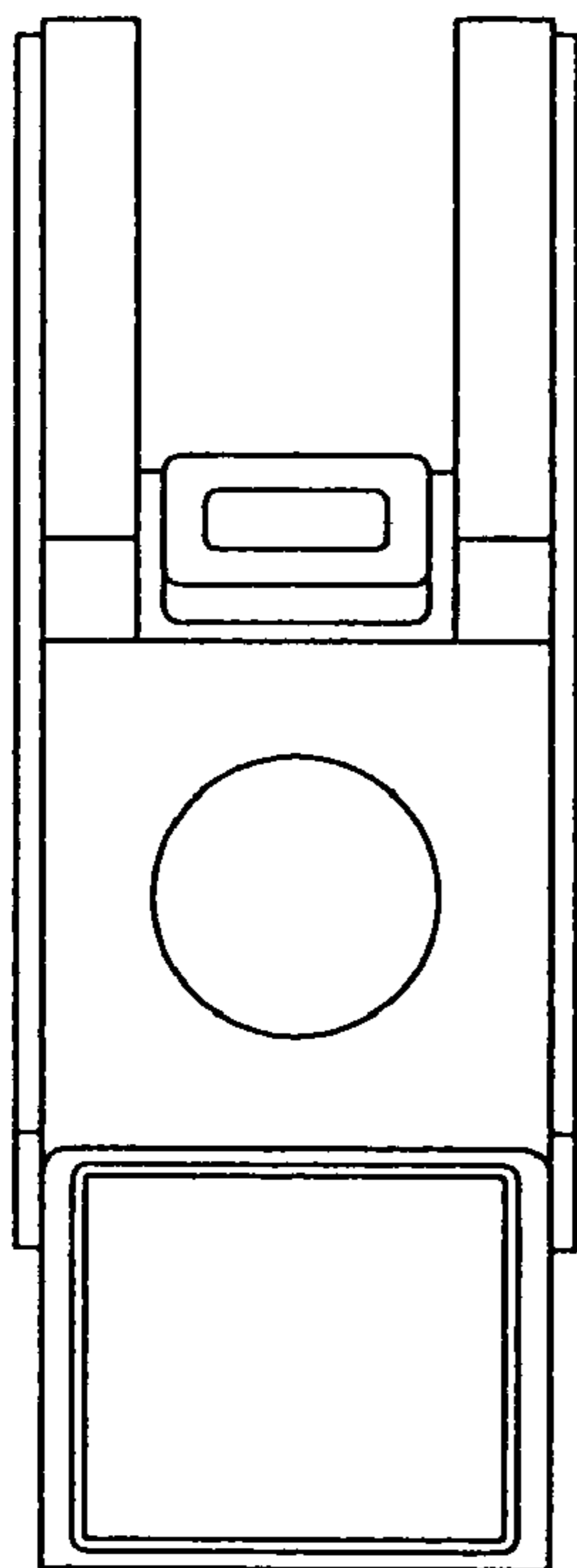


Fig. 6

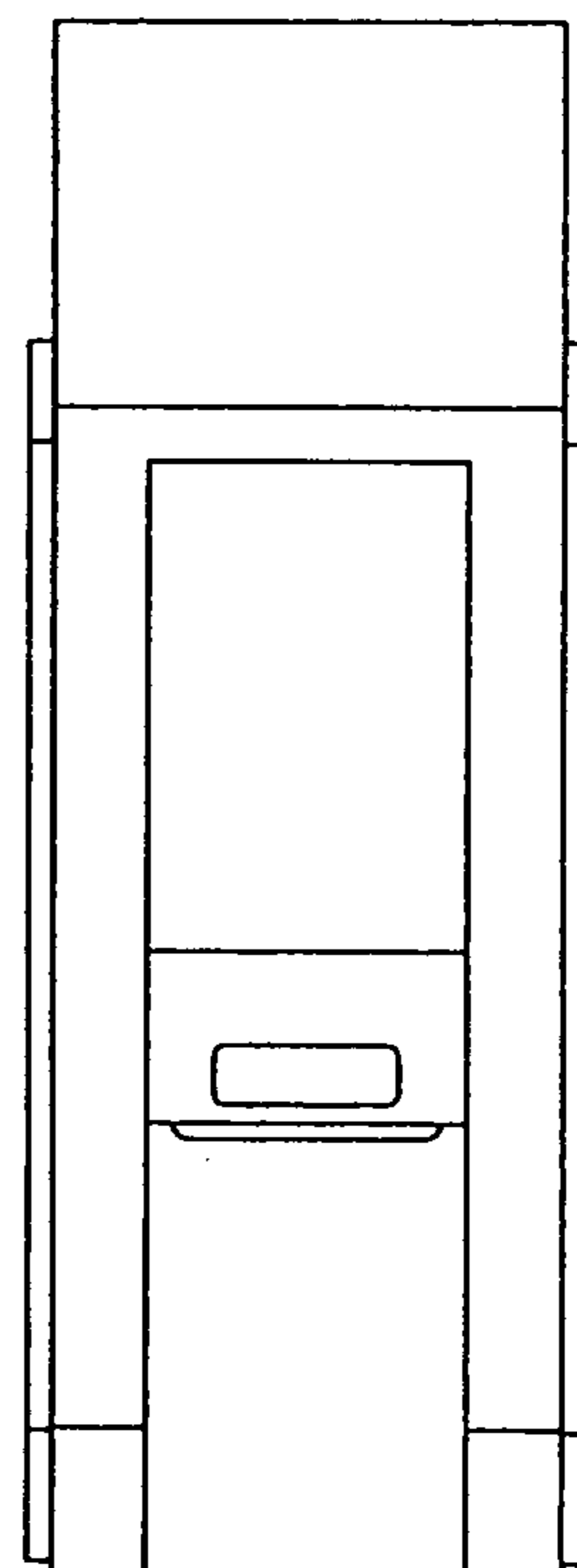


Fig. 7

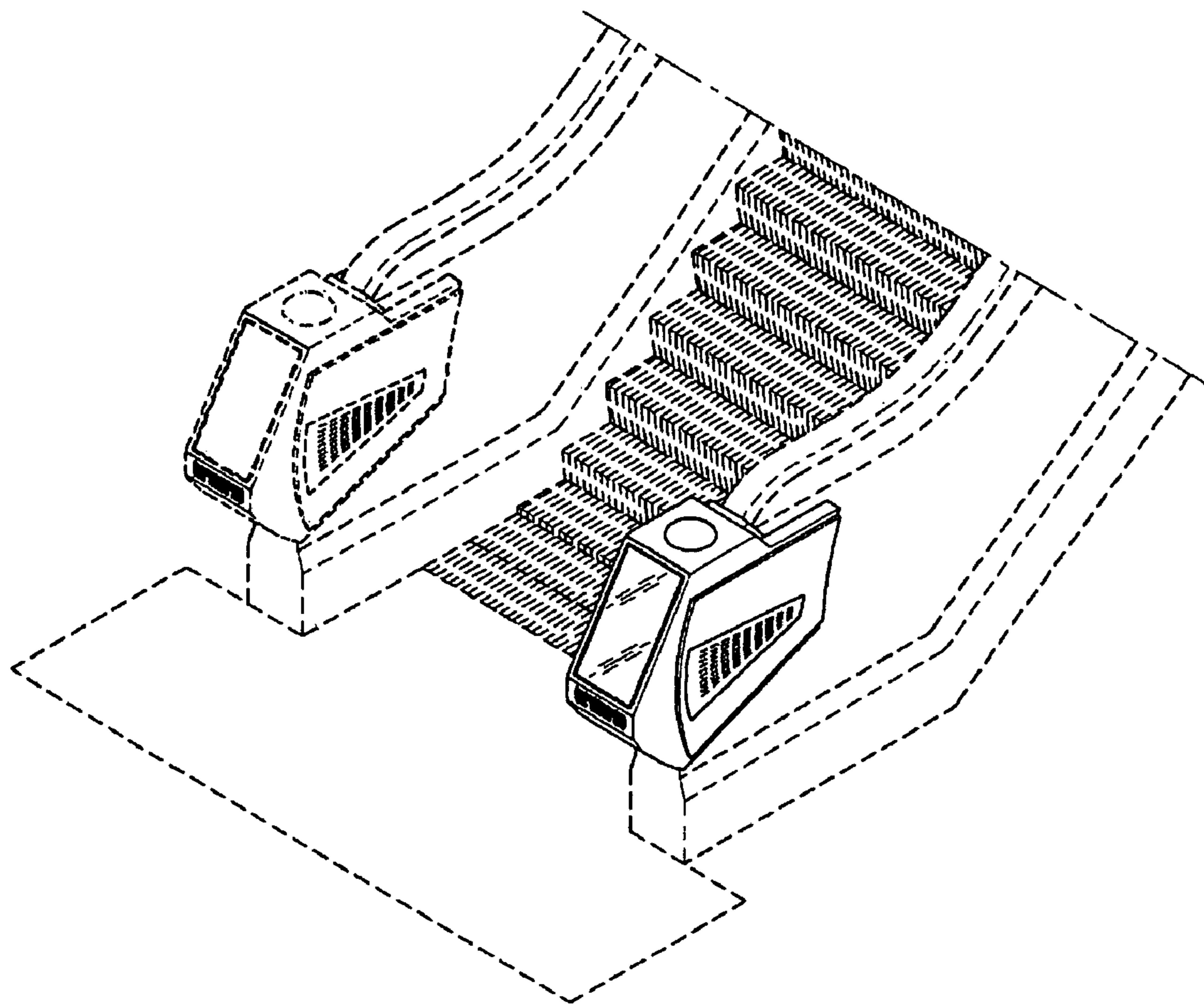


Fig. 8



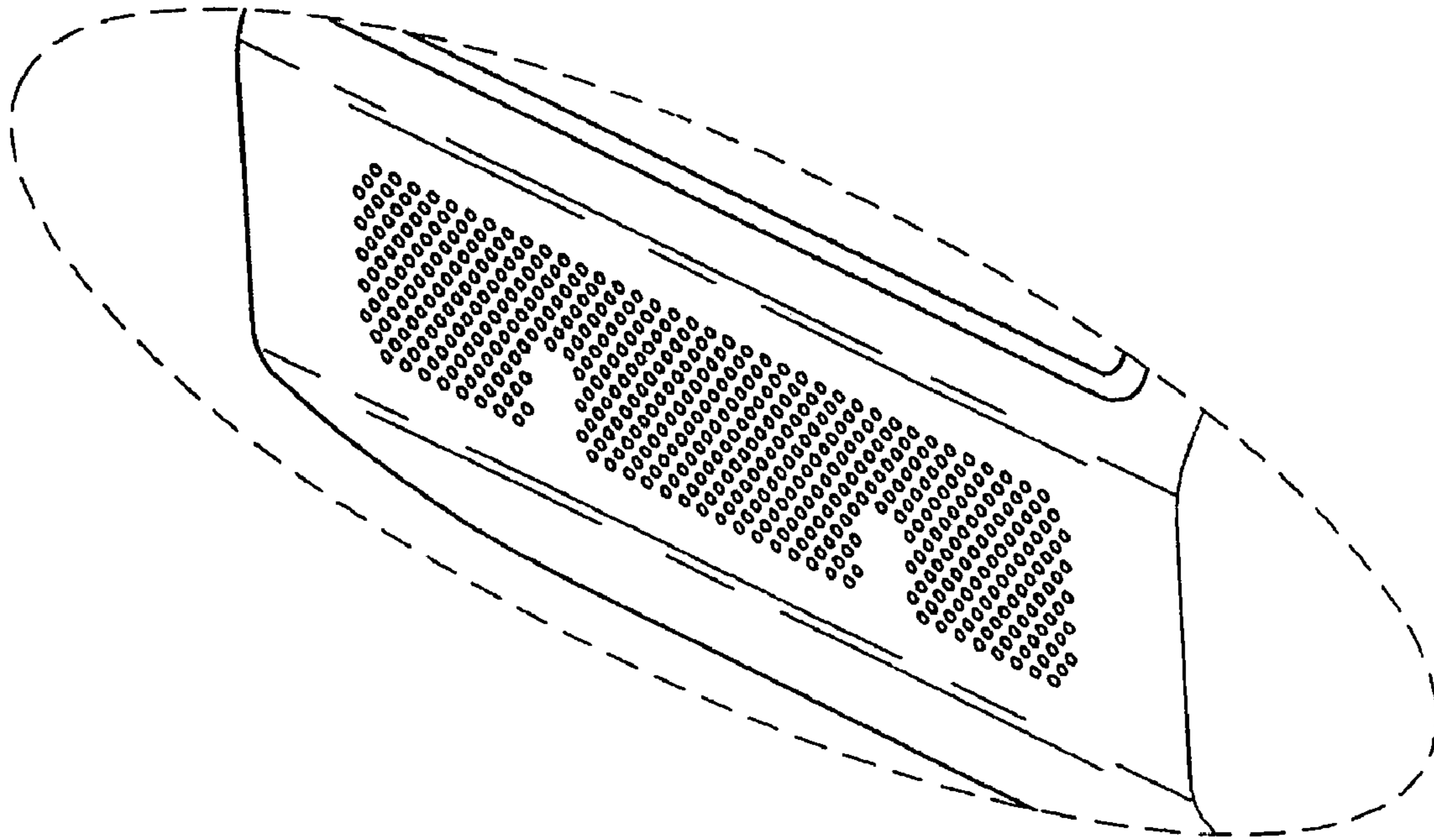


Fig. 9