



US00D563621S

(12) **United States Design Patent**
Acikgöz

(10) **Patent No.:** **US D563,621 S**

(45) **Date of Patent:** **** Mar. 4, 2008**

(54) **PART OF SHOPPING CART**

(75) Inventor: **Ayhan Acikgöz**, Gunzburg (DE)

(73) Assignee: **Wanzl Metallwarenfabrik GmbH**,
Leipheim (DE)

(**) Term: **14 Years**

(21) Appl. No.: **29/271,374**

(22) Filed: **Jan. 18, 2007**

(30) **Foreign Application Priority Data**

Jul. 20, 2006 (EM) 000563317

(51) **LOC (8) Cl.** **12-02**

(52) **U.S. Cl.** **D34/27**

(58) **Field of Classification Search** D34/12-27;
280/33.991, 33.992, 33.993; 40/308; 224/273,
224/277, 42.43; D19/52, 78, 84, 88-90
See application file for complete search history.

(56) **References Cited**

U.S. PATENT DOCUMENTS

D301,489 S * 6/1989 Aquila et al. D19/88

D412,609 S * 8/1999 Karp et al. D34/27

D426,929 S * 6/2000 Karp et al. D34/27
D521,207 S * 5/2006 Anderson et al. D34/27
D532,576 S * 11/2006 Simpson et al. D34/31
D547,023 S * 7/2007 Buerchner et al. D34/27

* cited by examiner

Primary Examiner—Cynthia E. Ramirez

(74) *Attorney, Agent, or Firm*—Buchanan Ingersoll &
Rooney PC

(57) **CLAIM**

The ornamental design for a part of shopping cart, as shown
and described.

DESCRIPTION

FIG. 1 is a front view of a part of shopping cart showing my
new design;

FIG. 2 is a back view thereof;

FIG. 3 is a perspective view thereof.

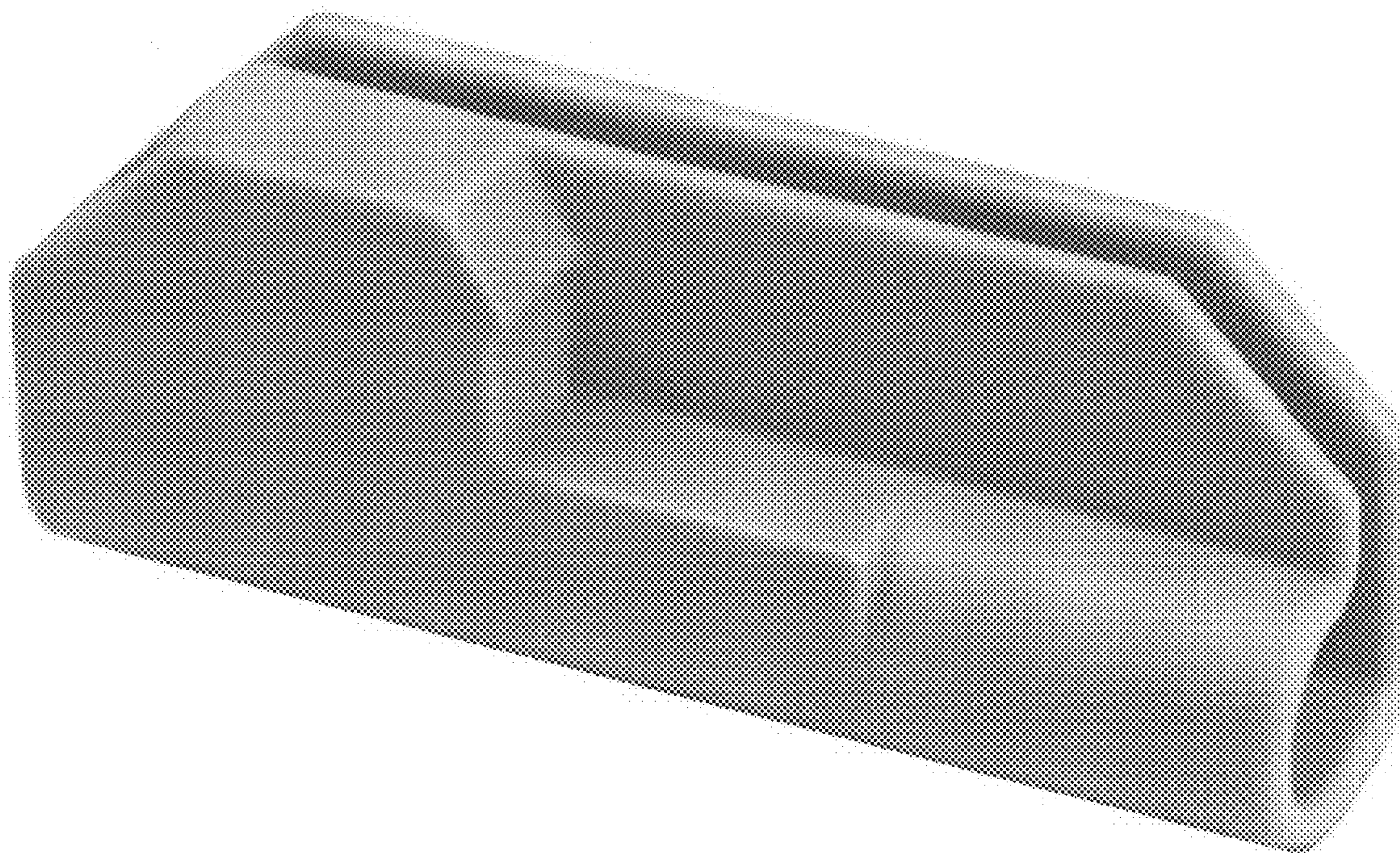
FIG. 4 is a right side view thereof.

FIG. 5 is a left side thereof;

FIG. 6 is a top view thereof; and,

FIG. 7 is a bottom view thereof.

1 Claim, 3 Drawing Sheets



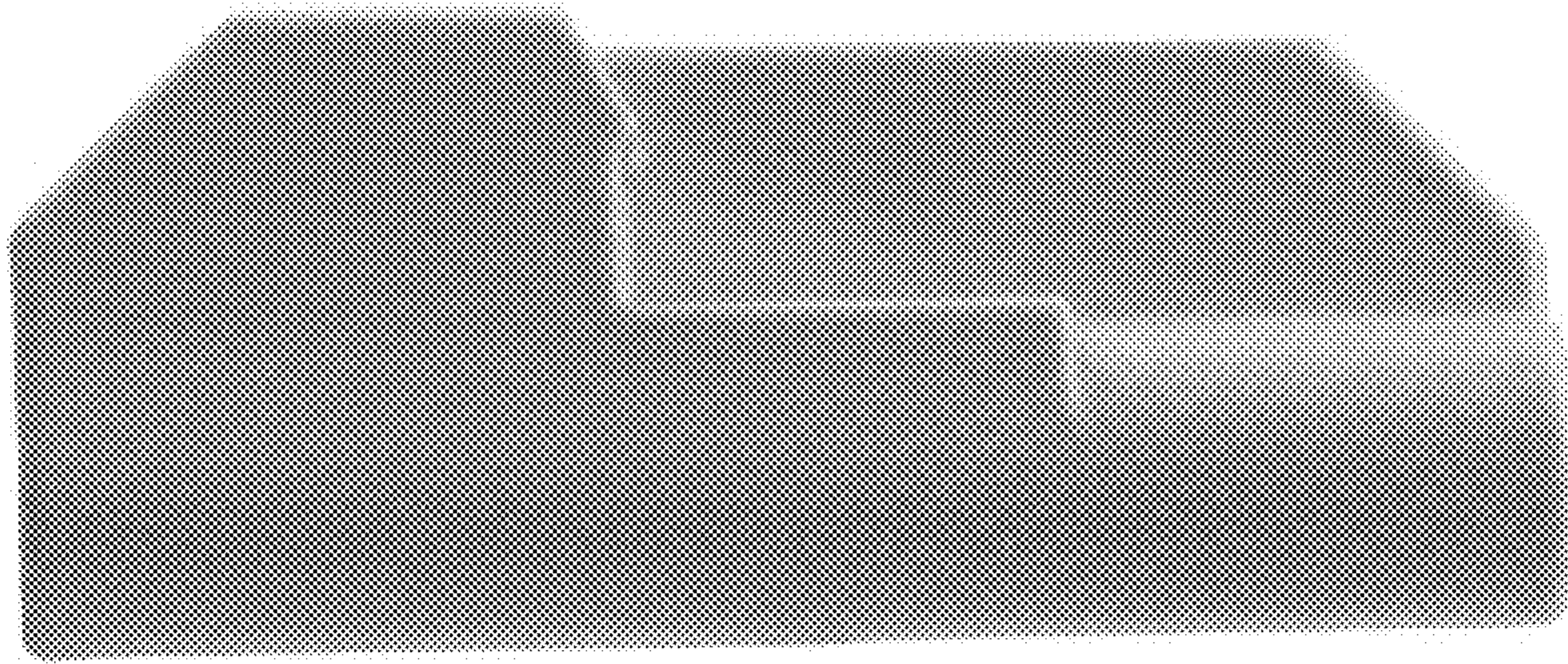


FIG. 1

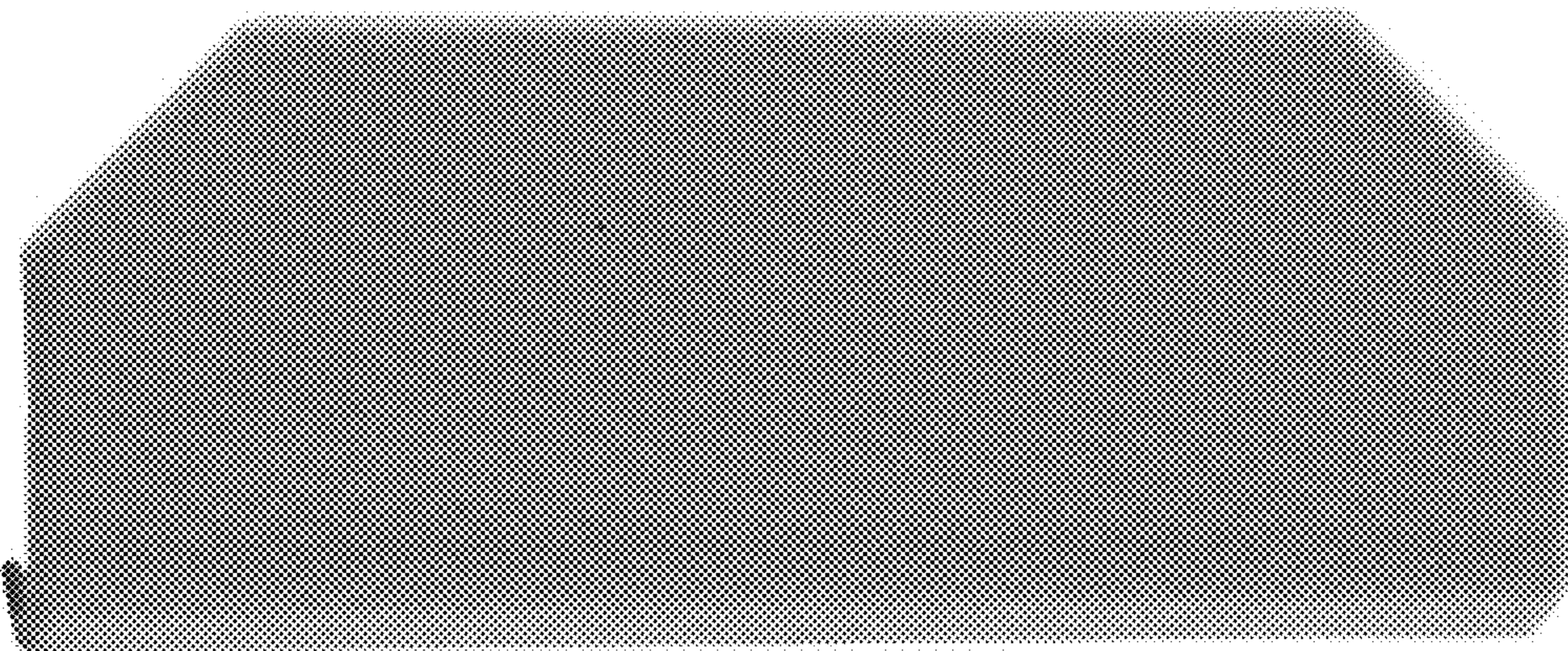


FIG. 2

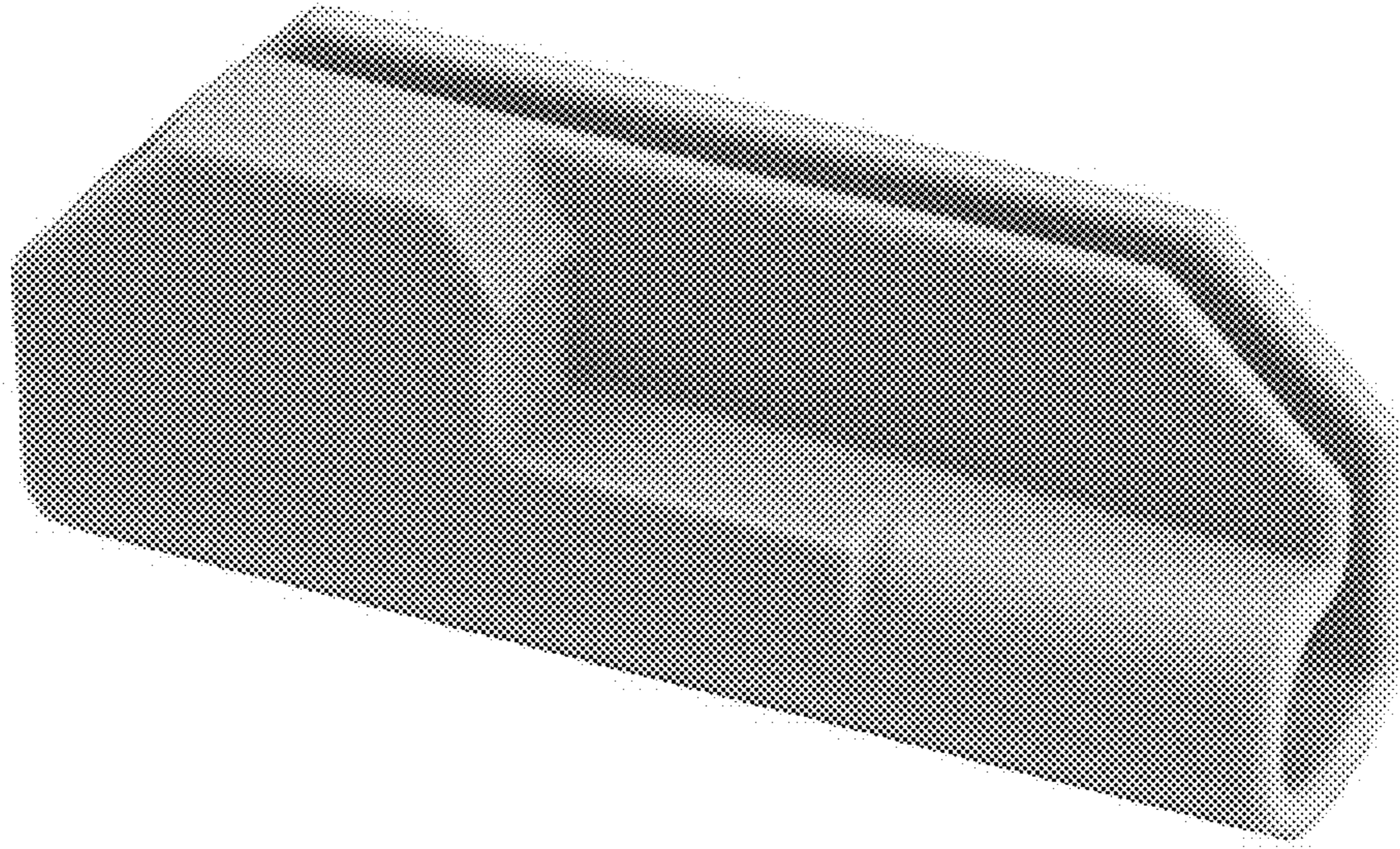


FIG. 3

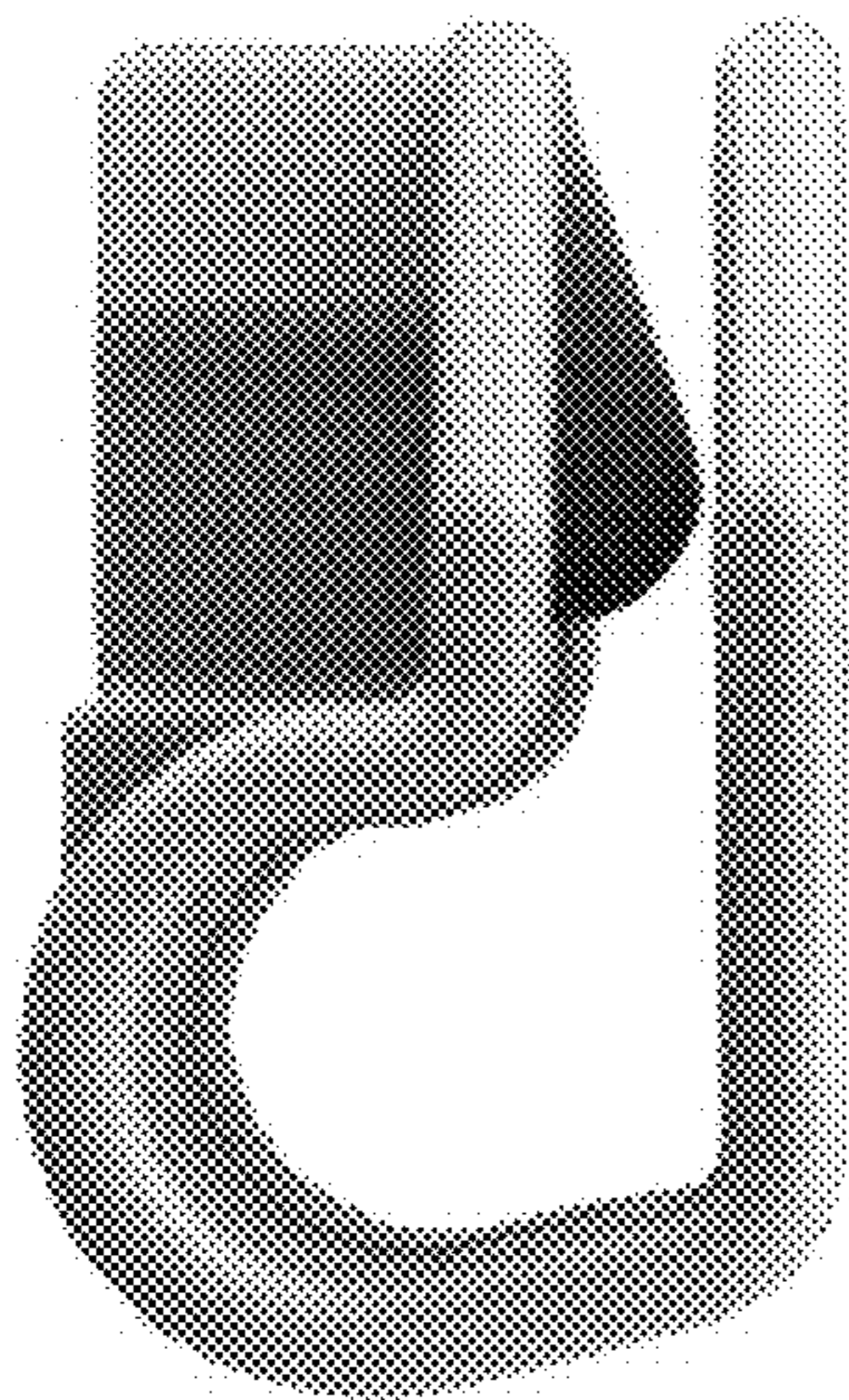


FIG. 4

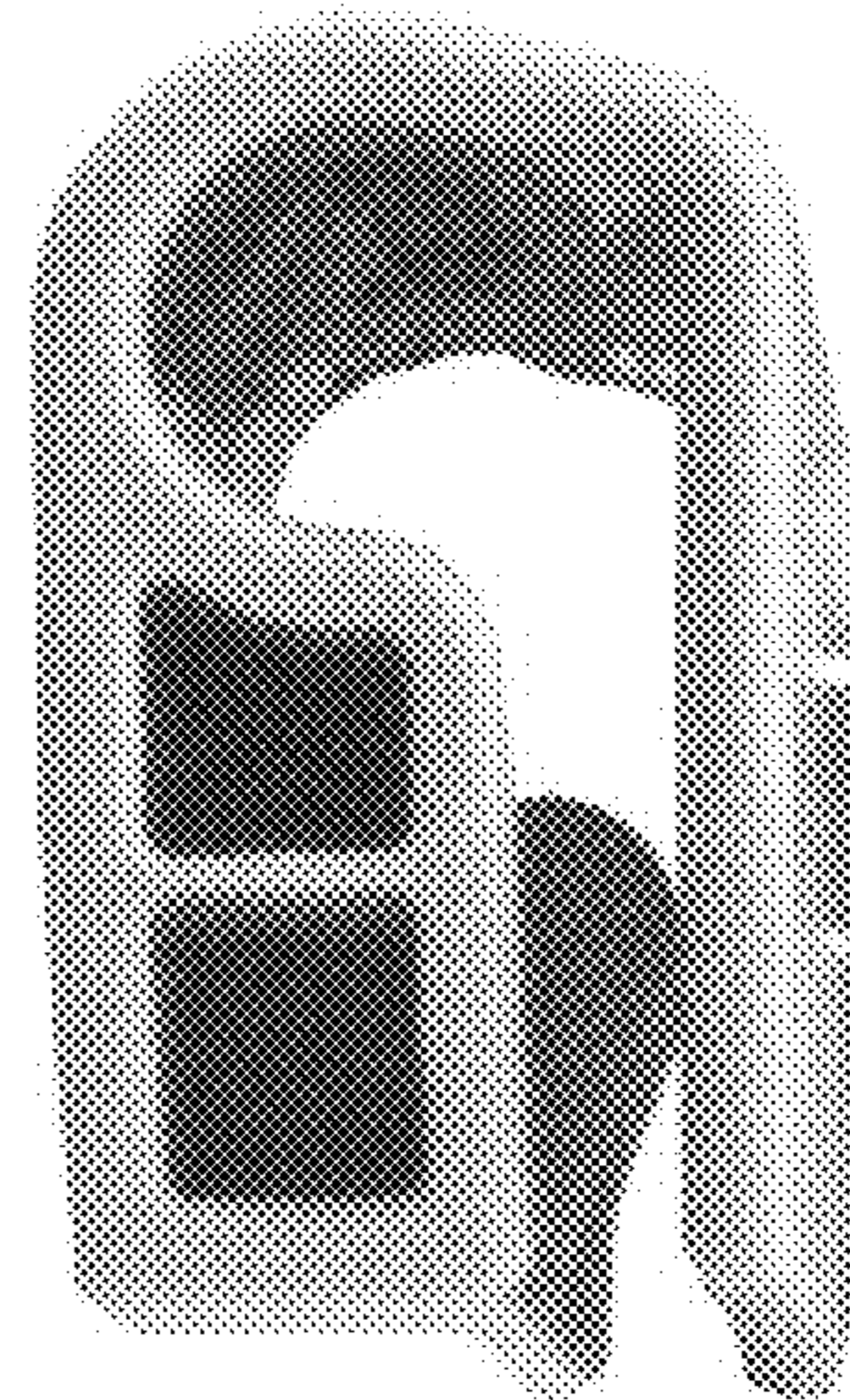


FIG. 5

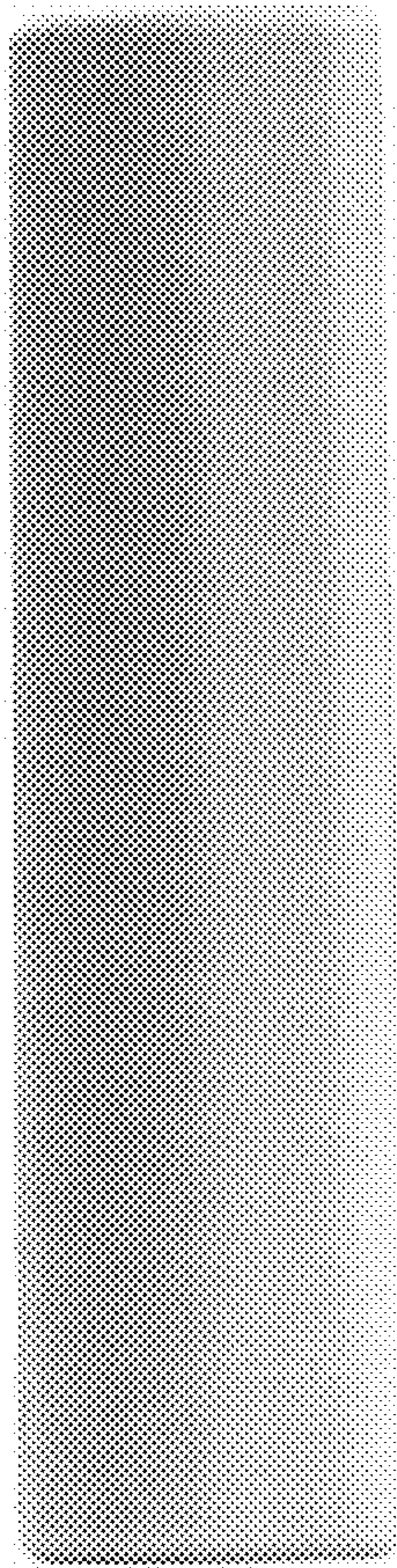


FIG. 6

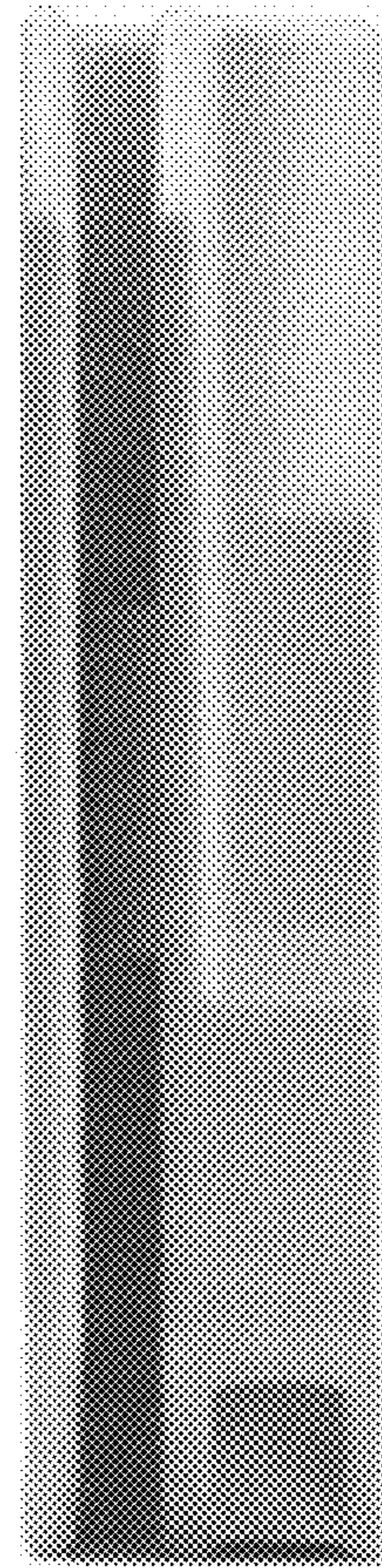


FIG. 7