



US00D563620S

(12) **United States Design Patent**
Dong

(10) **Patent No.:** **US D563,620 S**
(45) **Date of Patent:** **** Mar. 4, 2008**

(54) **ROLLING SHOPPING BASKET**

(57) **CLAIM**

(75) Inventor: **Ye Fa Dong**, Changshu (CN)

The ornamental design for a rolling shopping basket, as shown and described.

(73) Assignee: **The Continental Marketing Group Ltd.**, Surrey (CA)

DESCRIPTION

(**) Term: **14 Years**

FIG. 1 is a perspective view of a rolling shopping basket showing the design, with first and second handles in closed position;

(21) Appl. No.: **29/273,672**

FIG. 2 is a top plan view of the rolling shopping basket shown in FIG. 1;

(22) Filed: **Mar. 8, 2007**

FIG. 3 is a right side view of the rolling shopping basket shown in FIG. 1, the view of the left side of the rolling shopping basket would be a mirror image;

(51) **LOC (8) Cl.** **12-02**

(52) **U.S. Cl.** **D34/19; D32/37**

(58) **Field of Classification Search** **D34/12-27; D32/37; 280/47.26, 47.18, 47.35, 79.3**
See application file for complete search history.

FIG. 4 is a view of a first end of the rolling shopping basket shown in FIG. 1;

(56) **References Cited**

U.S. PATENT DOCUMENTS

D440,020 S * 4/2001 Ronson et al. D32/37

D486,619 S * 2/2004 Rivera et al. D34/19

D533,327 S * 12/2006 McCaskill D34/17

2006/0103087 A1 * 5/2006 Alcalá Sebastian 280/47.26

FIG. 5 is a view of second end of the rolling shopping basket shown in FIG. 1;

FIG. 6 is a bottom plan view of the rolling shopping basket shown in FIG. 1;

* cited by examiner

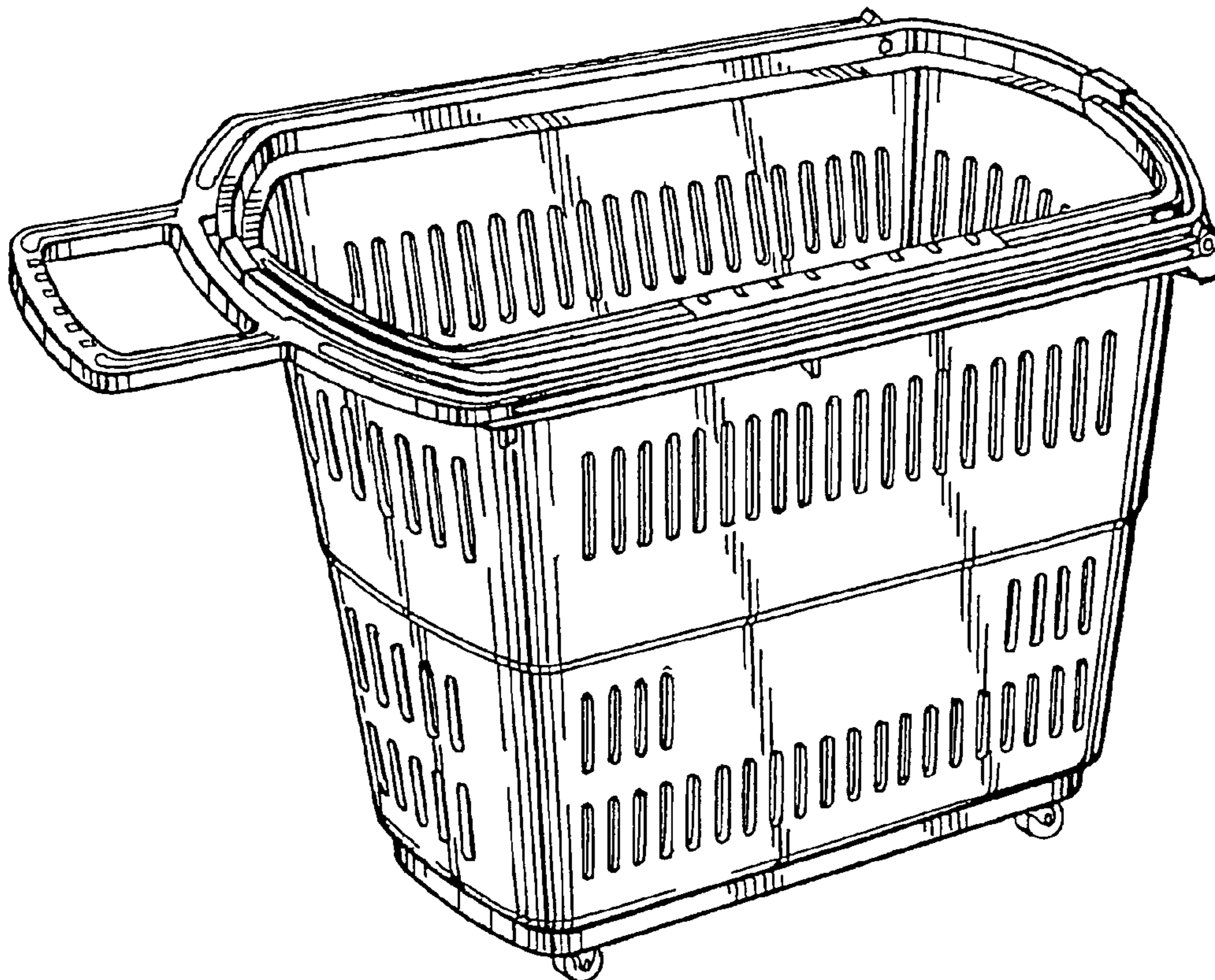
FIG. 7 is a perspective view of the rolling shopping basket shown in FIG. 1, with a first handle in an open position; and,

FIG. 8 is a perspective view of the rolling shopping basket shown in FIG. 1, with a second handle in an open position.

Primary Examiner—Cynthia E Ramirez

(74) *Attorney, Agent, or Firm*—Weide & Miller, Ltd

1 Claim, 6 Drawing Sheets



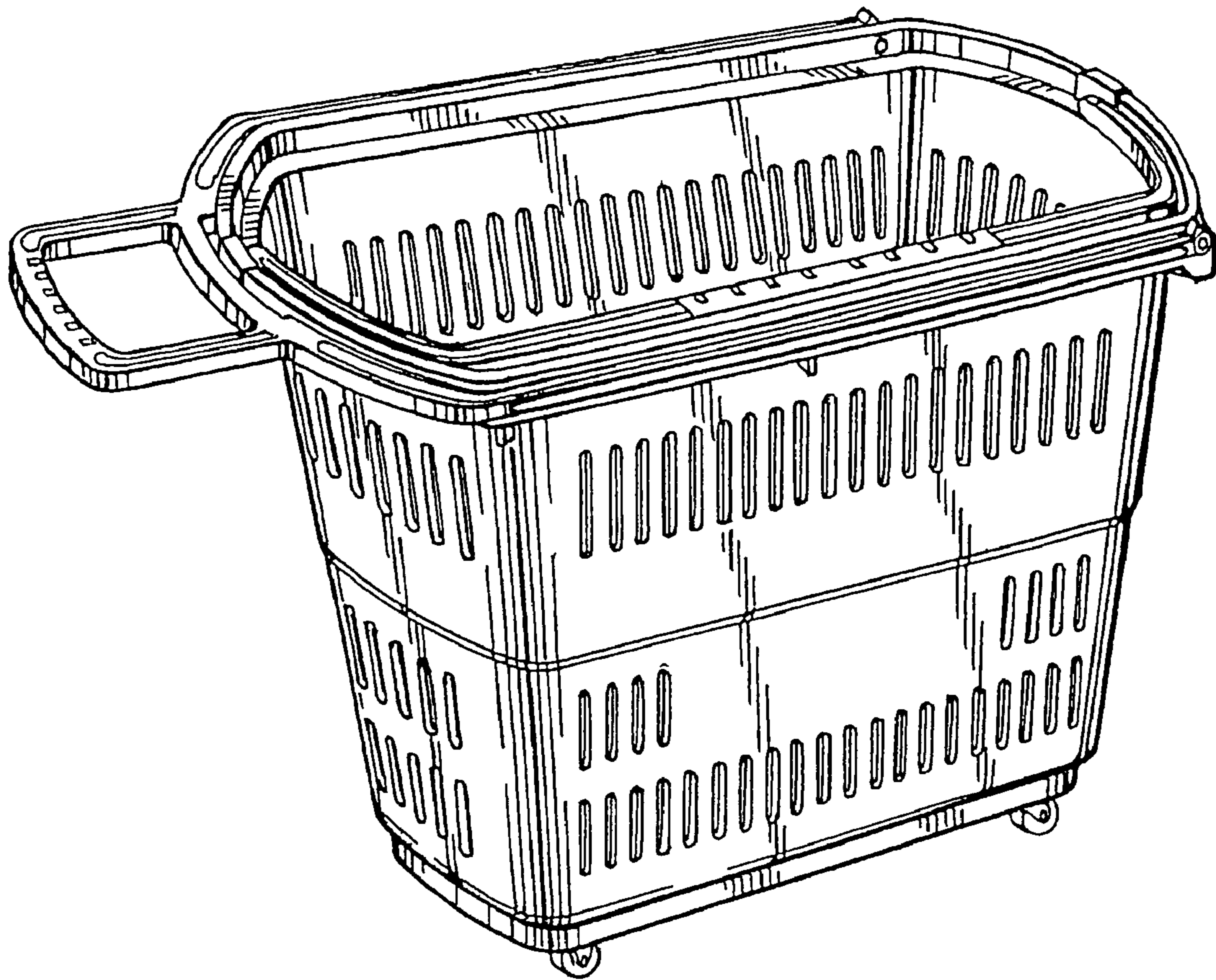


FIG. 1

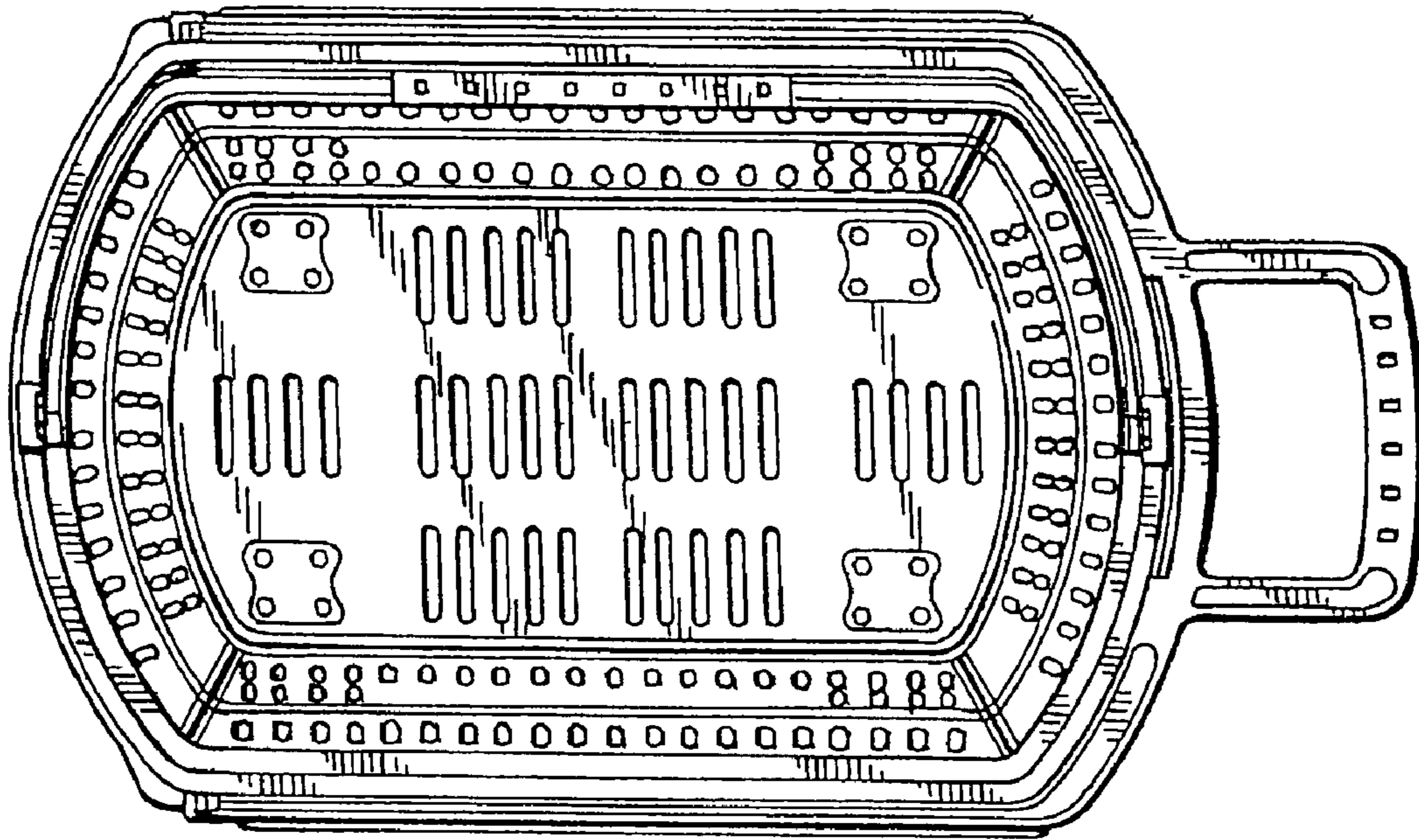


FIG. 2

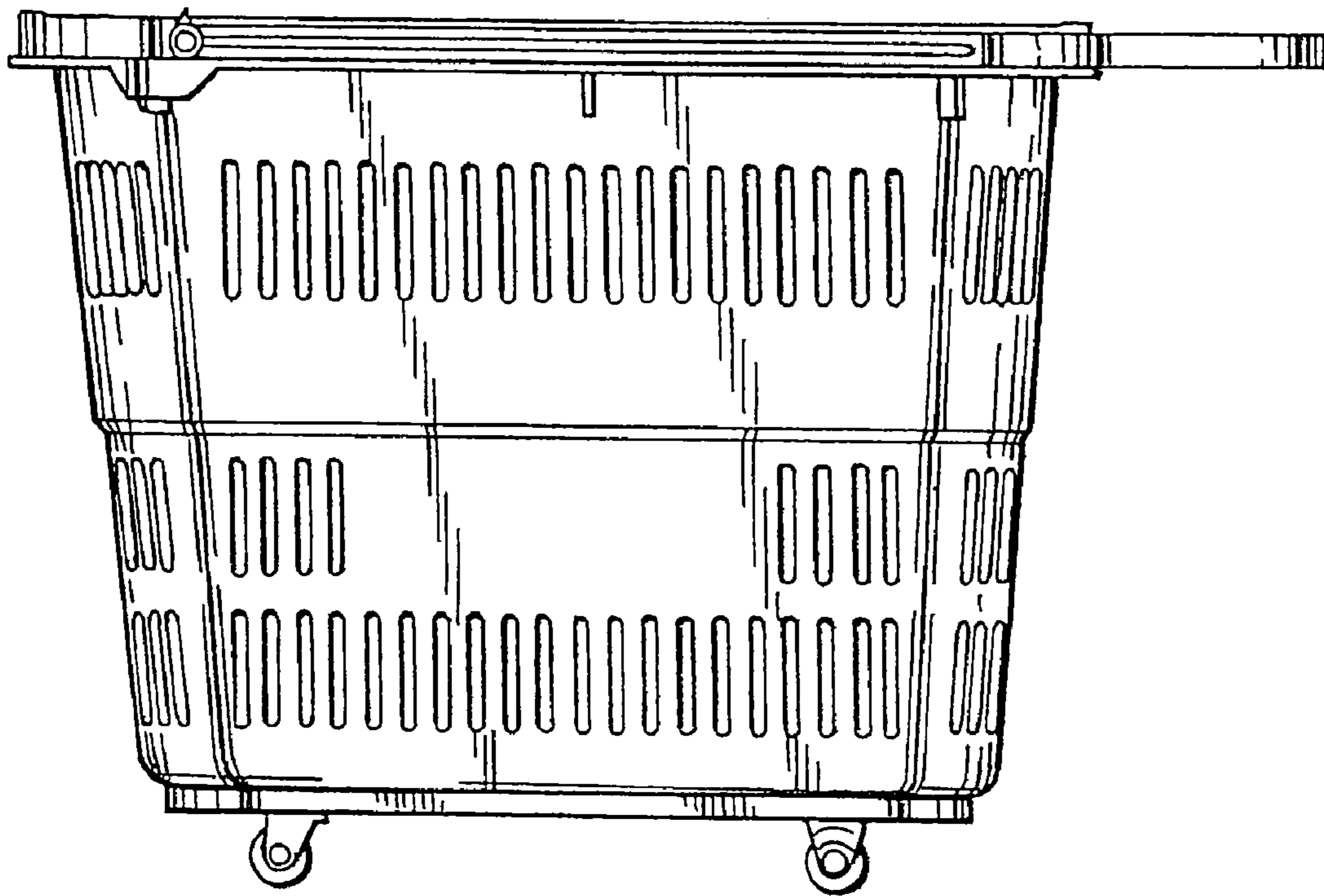


FIG. 3

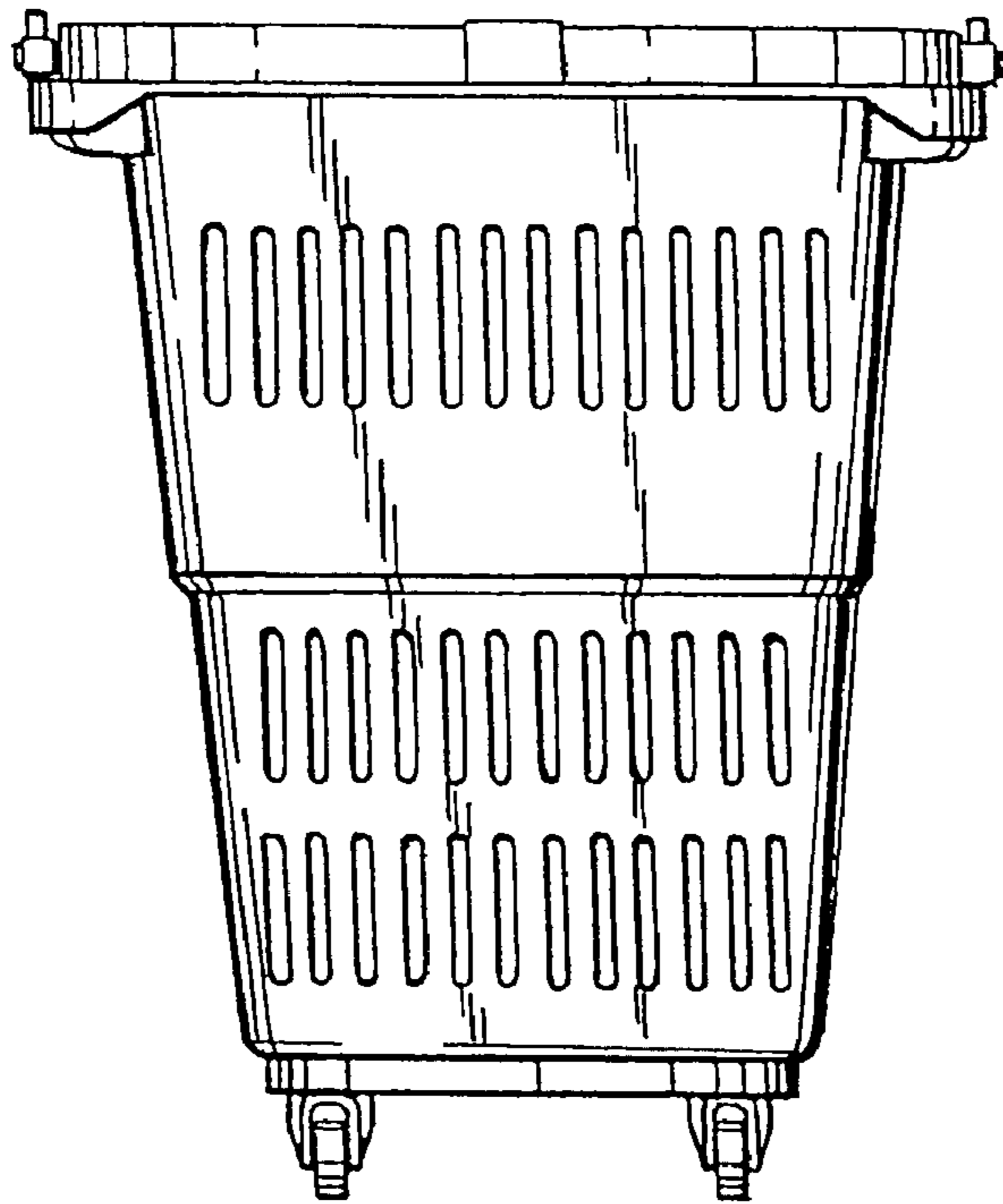


FIG. 4

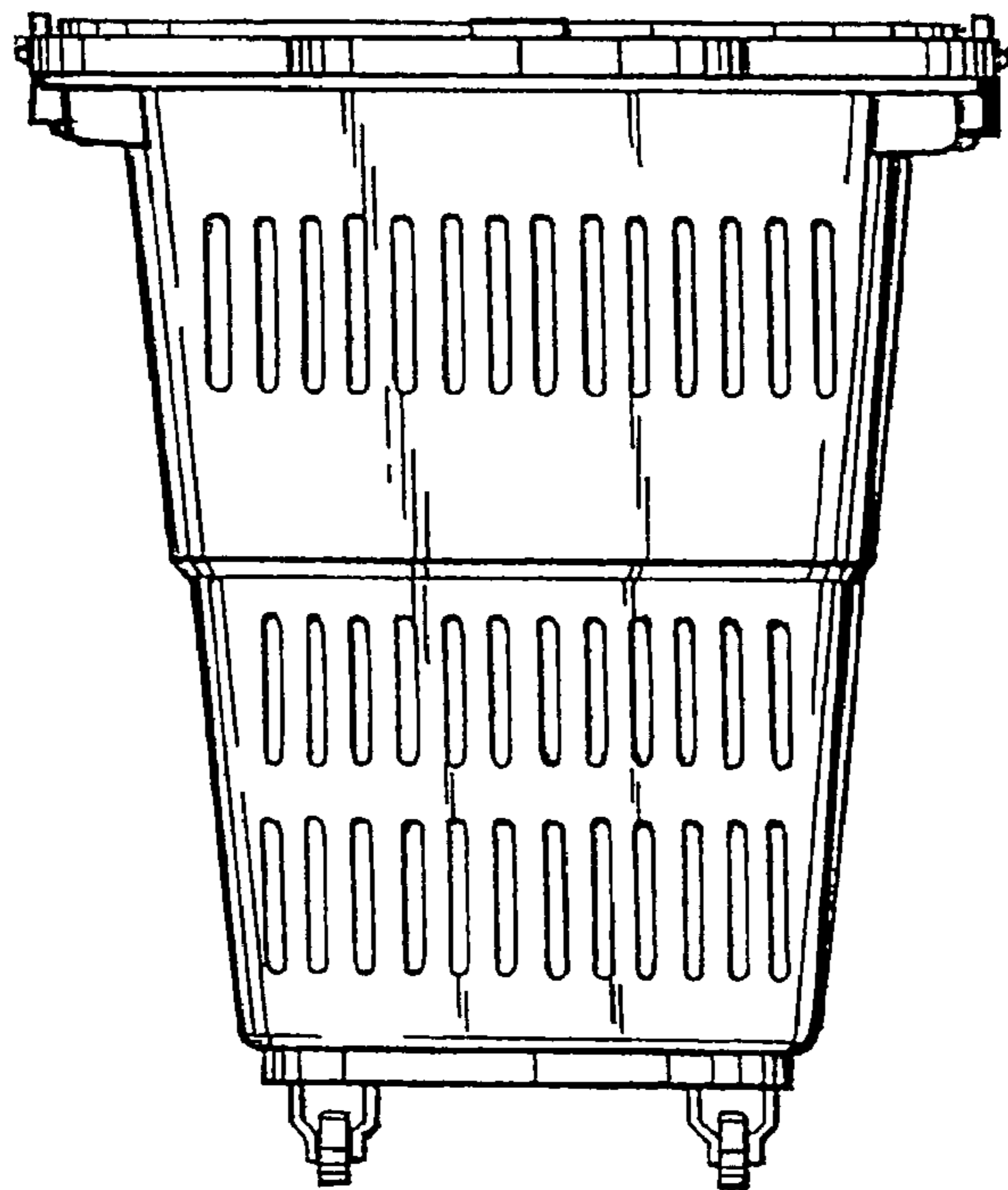


FIG. 5

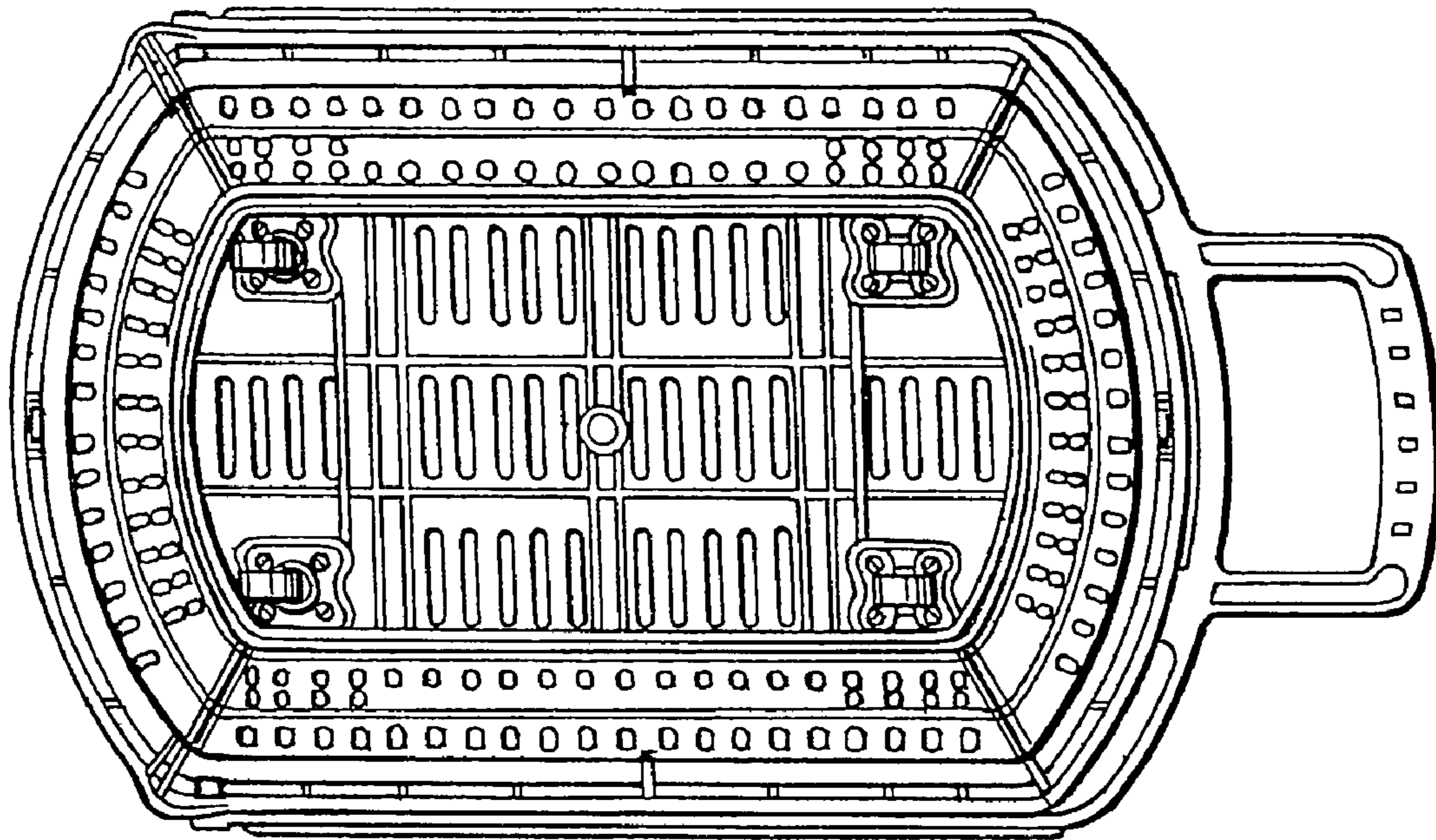


FIG. 6

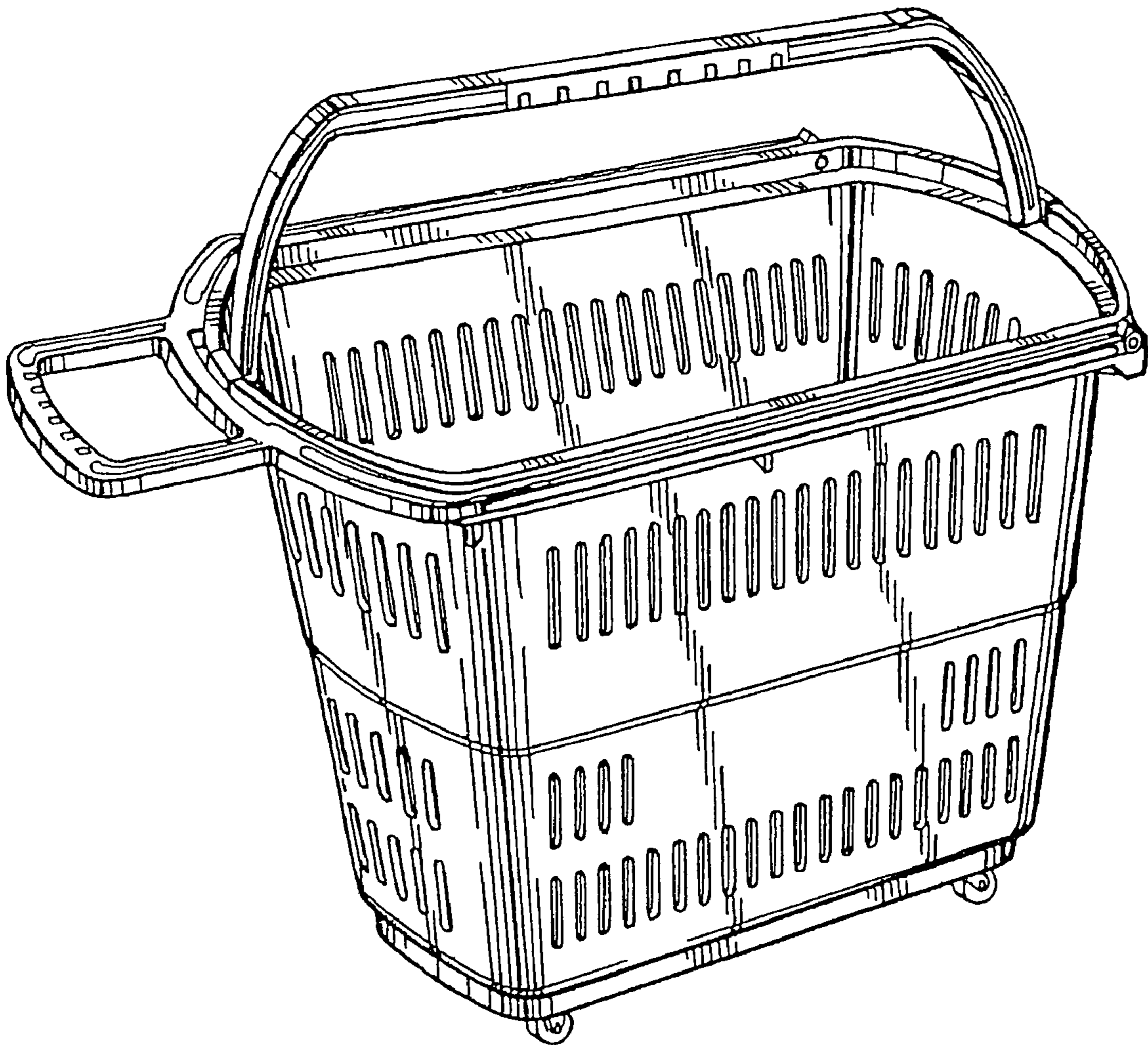


FIG. 7



FIG. 8