



US00D563619S

(12) **United States Design Patent**
Palese et al.

(10) **Patent No.:** **US D563,619 S**
(45) **Date of Patent:** **** Mar. 4, 2008**

(54) **BOOT DRYER BASE UNIT**

(75) Inventors: **Jeffrey W. Palese**, N. Ridgeville, OH (US); **Ling Zhou**, Strongsville, OH (US); **Robert Browning**, Middleburg Heights, OH (US)

(73) Assignee: **Pragotrade, Inc.**, Strongsville, OH (US)

(**) Term: **14 Years**

(21) Appl. No.: **29/273,550**

(22) Filed: **Mar. 8, 2007**

(51) **LOC (8) Cl.** **07-05**

(52) **U.S. Cl.** **D32/58**

(58) **Field of Classification Search** D32/58-59;
36/2.6; D7/616-620; 34/104, 437, 440;
211/34-35, 37-38

See application file for complete search history.

(56) **References Cited**

U.S. PATENT DOCUMENTS

D310,742 S * 9/1990 Johnson D32/58
D346,312 S * 4/1994 Spiersch D7/708
D347,094 S * 5/1994 Christensen, Jr. D32/58
D412,381 S 7/1999 Peet

6,085,436 A * 7/2000 Peet 34/104
6,216,359 B1 4/2001 Peet
6,327,792 B1 * 12/2001 Hebert 34/104
6,604,298 B2 * 8/2003 Tomasi et al. 34/600
6,675,493 B1 * 1/2004 Martin 34/240

* cited by examiner

Primary Examiner—Pamela J. Burgess

(74) *Attorney, Agent, or Firm*—Tarolli, Sundheim, Covell & Tummino LLP

(57) **CLAIM**

The ornamental design for a boot dryer base unit, as shown and described.

DESCRIPTION

FIG. 1 is a front perspective view of a boot dryer base unit showing our new design;

FIG. 2 is a right side elevational view thereof;

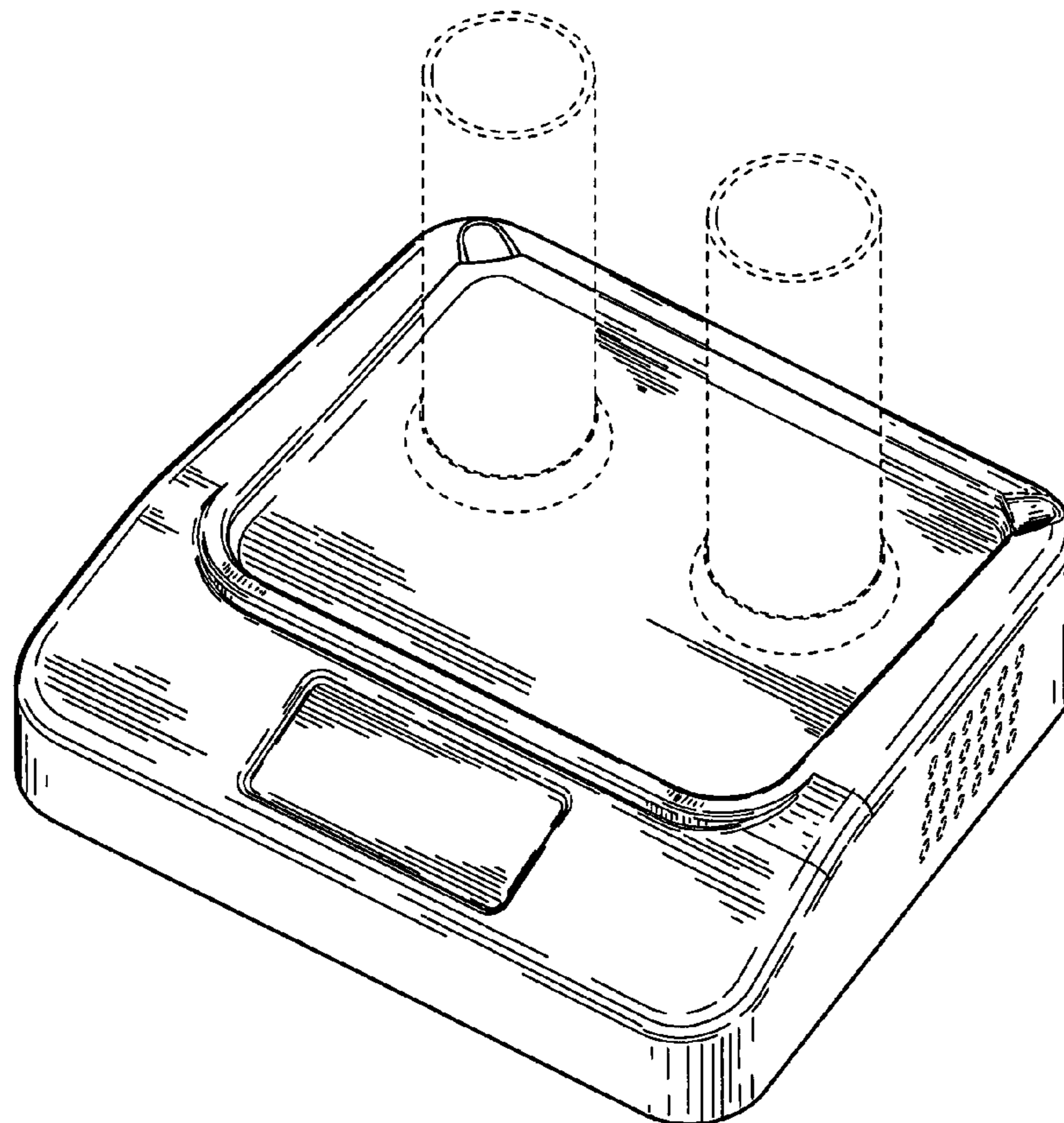
FIG. 3 is a front elevational view thereof;

FIG. 4 is a rear elevational view thereof; and,

FIG. 5 is a top plan view thereof.

The broken lines in the drawings are for illustrative purposes only and form no part of the claimed design.

1 Claim, 3 Drawing Sheets



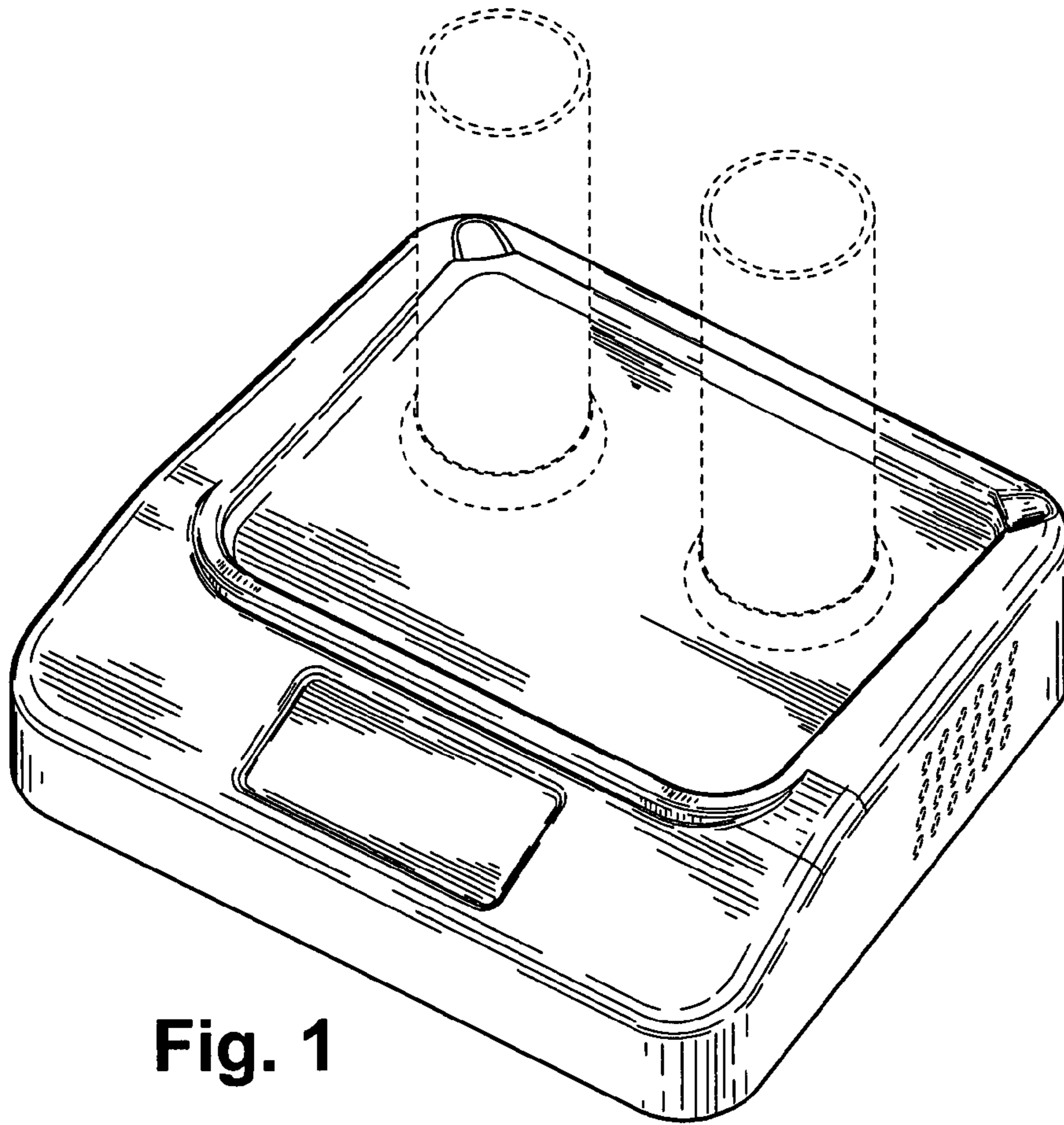


Fig. 1

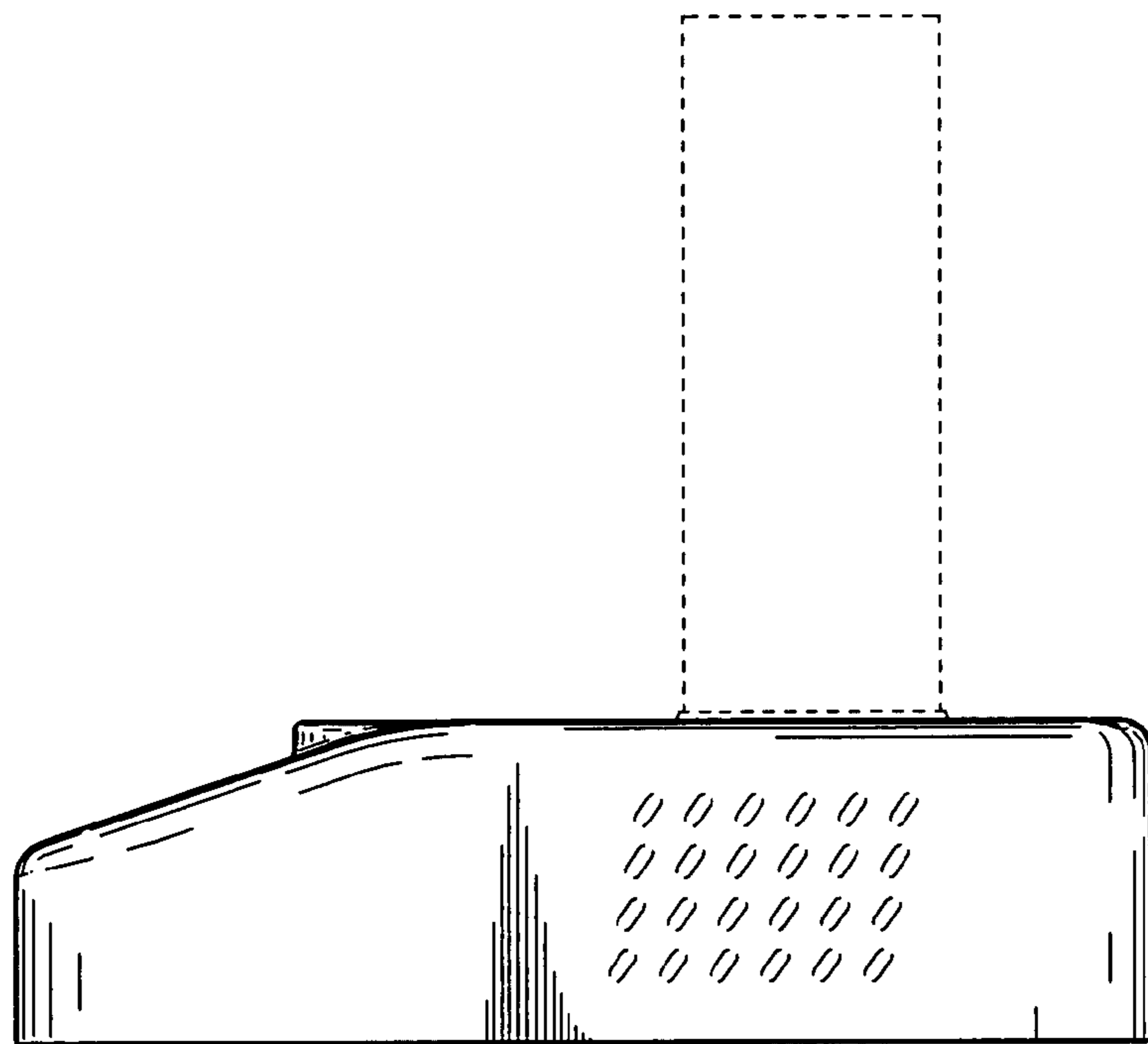


Fig. 2

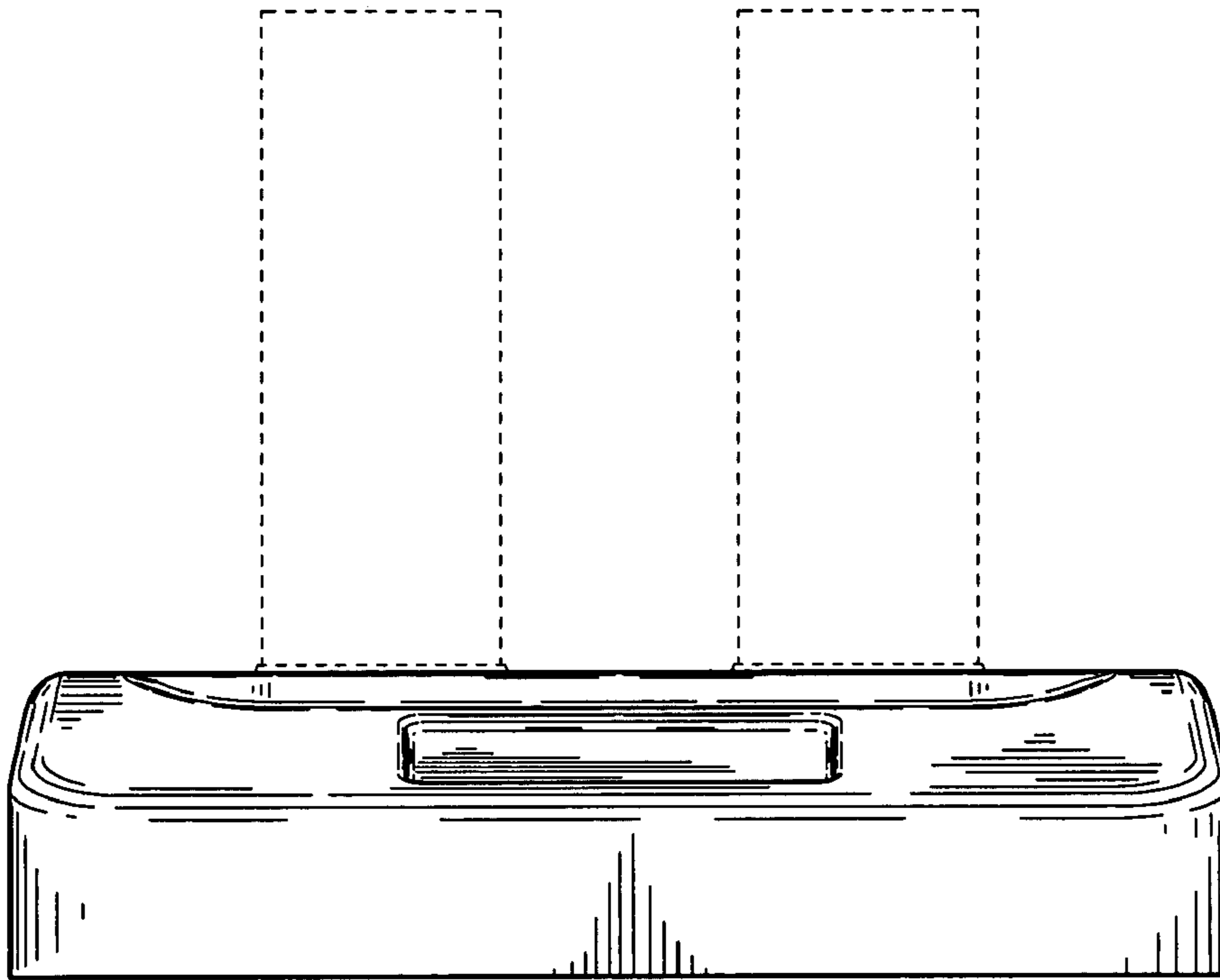


Fig. 3

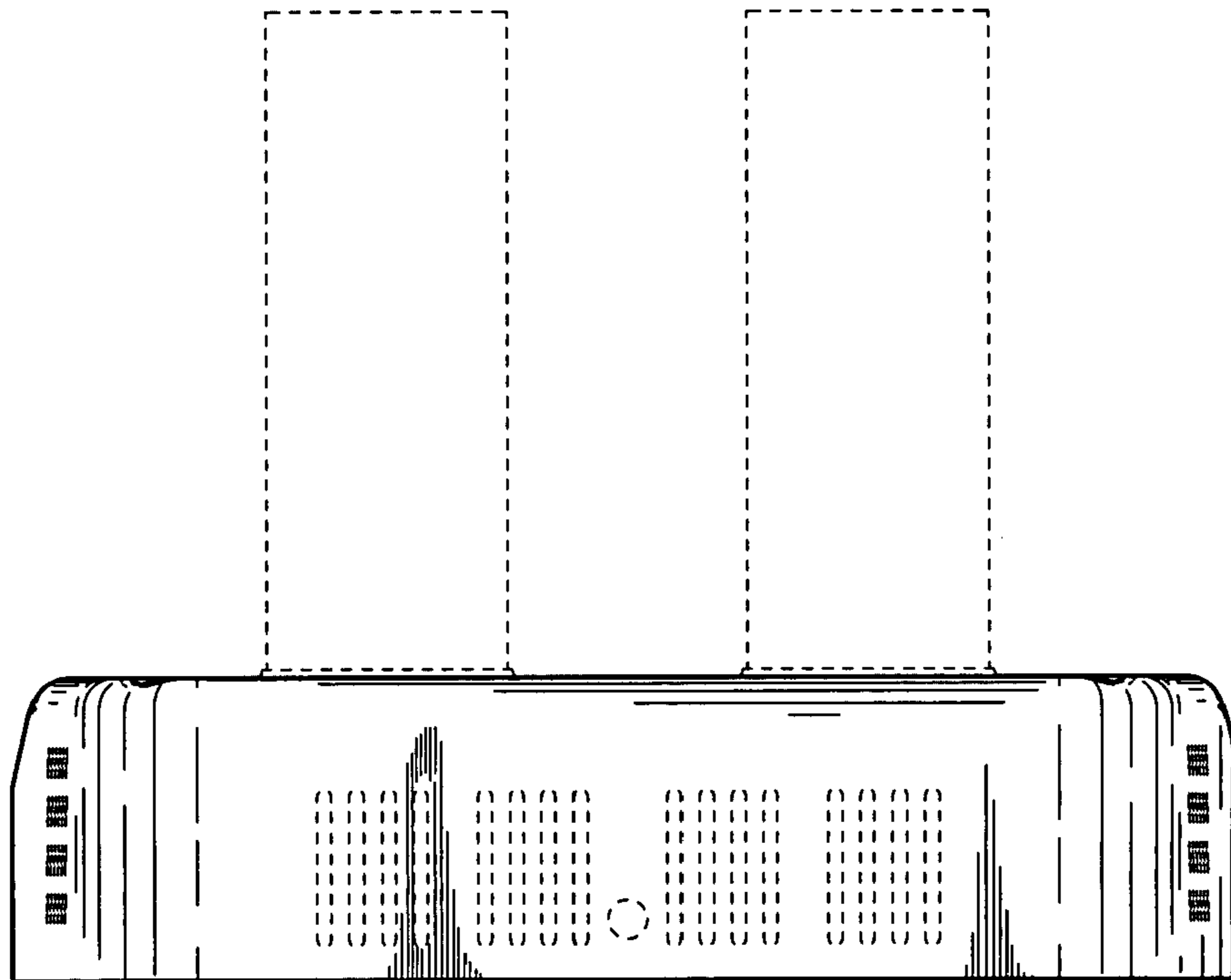


Fig. 4

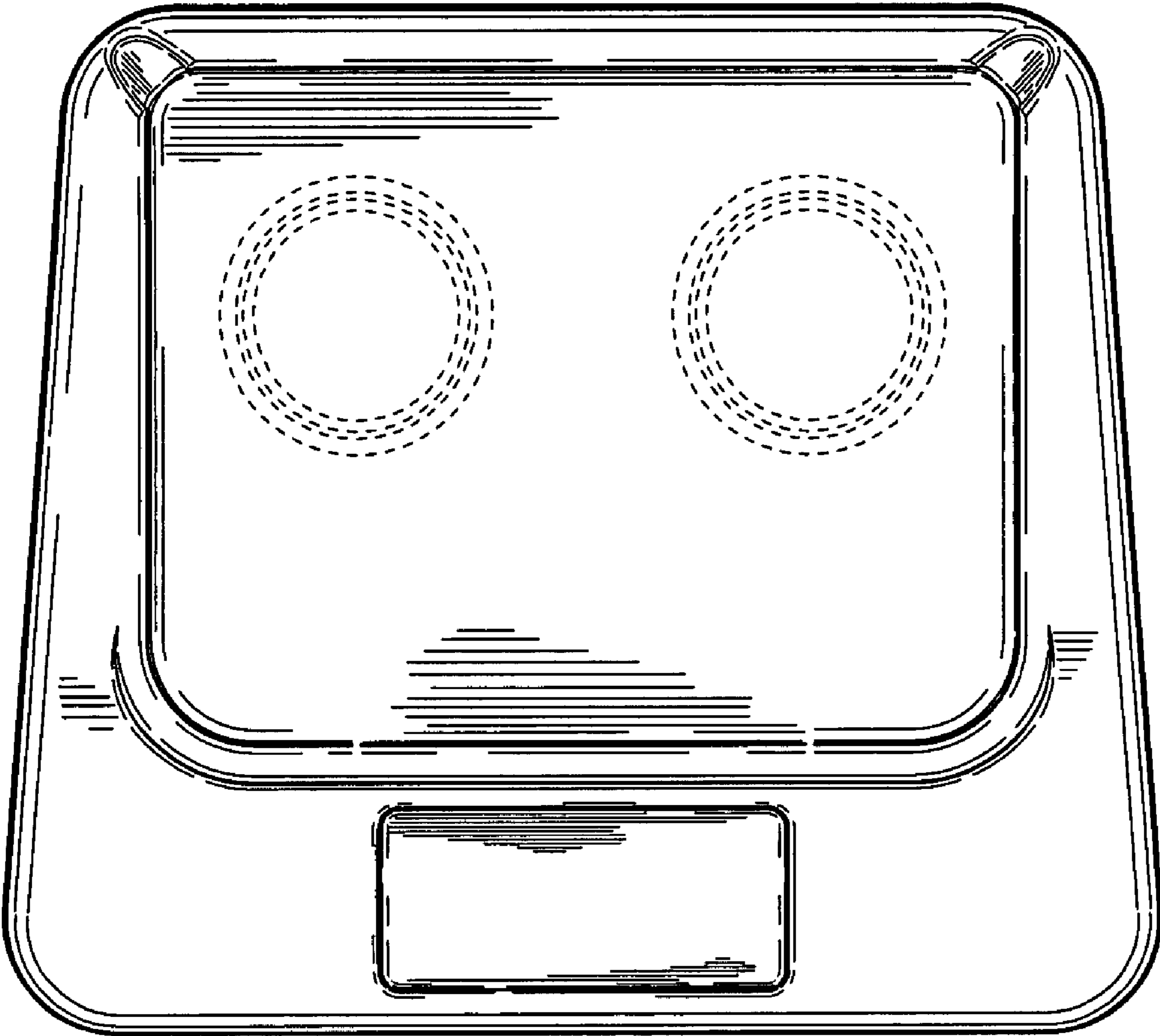


Fig. 5