

US00D563618S

(12) **United States Design Patent**  
**Jiang et al.**

(10) **Patent No.:** **US D563,618 S**  
(45) **Date of Patent:** **\*\* Mar. 4, 2008**

(54) **FLOOR MOP**

(75) Inventors: **Weilai Jiang**, Shanghai (CN); **Feng Zeng**, Shanghai (CN)

(73) Assignee: **3M Innovative Properties Company**,  
St. Paul, MN (US)

(\*\*) Term: **14 Years**

(21) Appl. No.: **29/266,453**

(22) Filed: **Sep. 21, 2006**

(30) **Foreign Application Priority Data**

Mar. 31, 2006 (CN) ..... 2006 3 0014003

(51) **LOC (8) Cl.** ..... **04-01**

(52) **U.S. Cl.** ..... **D32/50**

(58) **Field of Classification Search** ..... D32/40,  
D32/50-51, 44-45; 15/116.1-116.2, 119.2,  
15/228, 147.1-147.2, 150, 209.1, 210.1;  
401/137-140

See application file for complete search history.

(56) **References Cited**

**U.S. PATENT DOCUMENTS**

D358,238 S \* 5/1995 Barnett ..... D32/50  
6,397,427 B1 \* 6/2002 Bryngelsson ..... 15/228

D481,184 S \* 10/2003 Clare et al. .... D32/50  
D487,174 S \* 2/2004 Colman et al. .... D32/45  
D490,952 S \* 6/2004 Ajluni ..... D32/50  
D503,836 S \* 4/2005 Hall et al. .... D32/50  
D505,762 S \* 5/2005 Lalanne et al. .... D32/45  
D506,050 S \* 6/2005 Lalanne et al. .... D32/45  
D514,267 S \* 1/2006 Tsai ..... D32/45  
D518,935 S \* 4/2006 Leitch et al. .... D32/50

\* cited by examiner

*Primary Examiner*—Pamela J. Burgess

(74) *Attorney, Agent, or Firm*—Trisha D. Adamson

(57) **CLAIM**

The ornamental design for a floor mop, as shown and described.

**DESCRIPTION**

FIG. 1 is a perspective view of a floor mop;

FIG. 2 is a front view thereof;

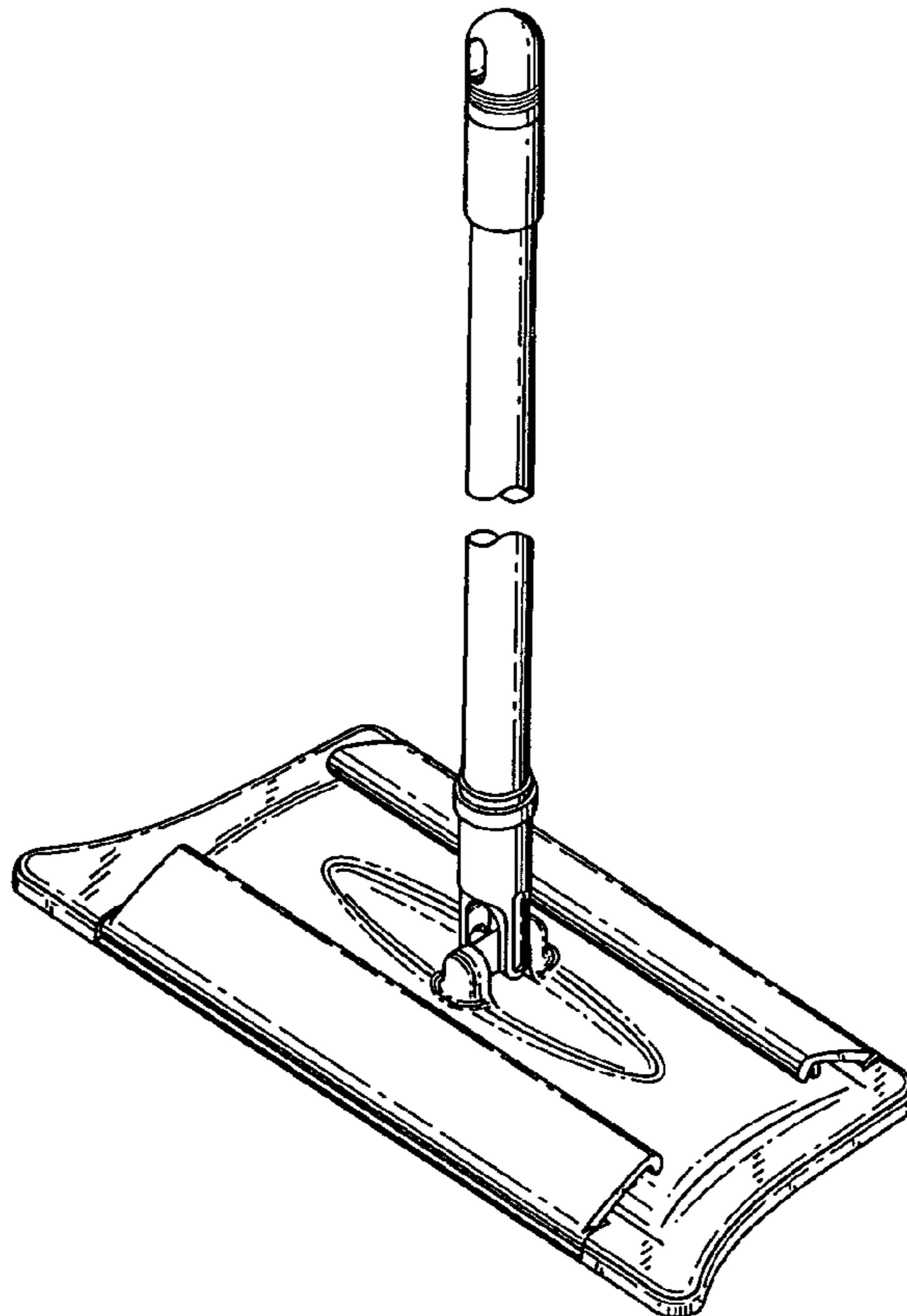
FIG. 3 is a rear view thereof;

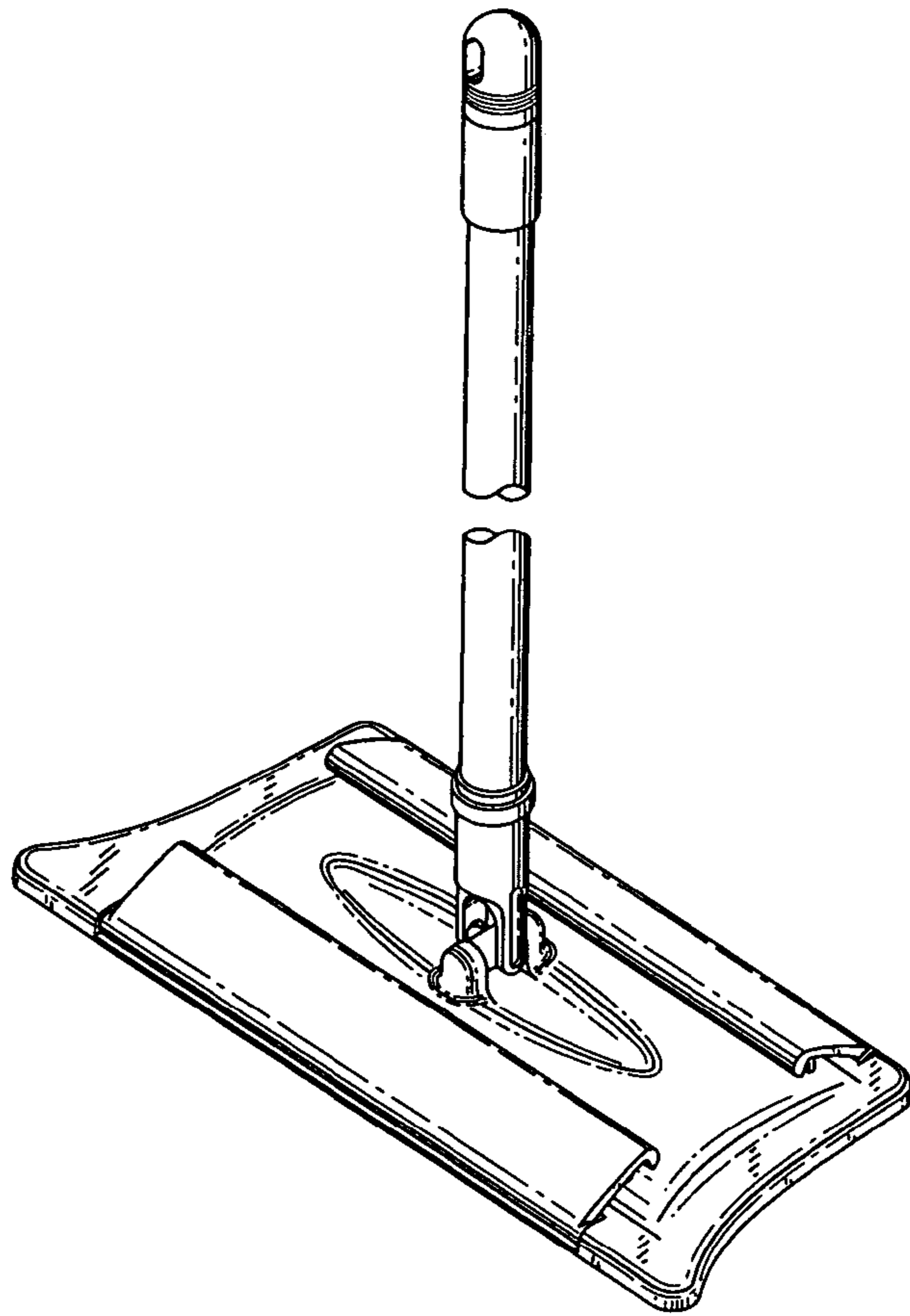
FIG. 4 is a right side view thereof, the left side view being a mirror image of the right side view;

FIG. 5 is a top view thereof; and,

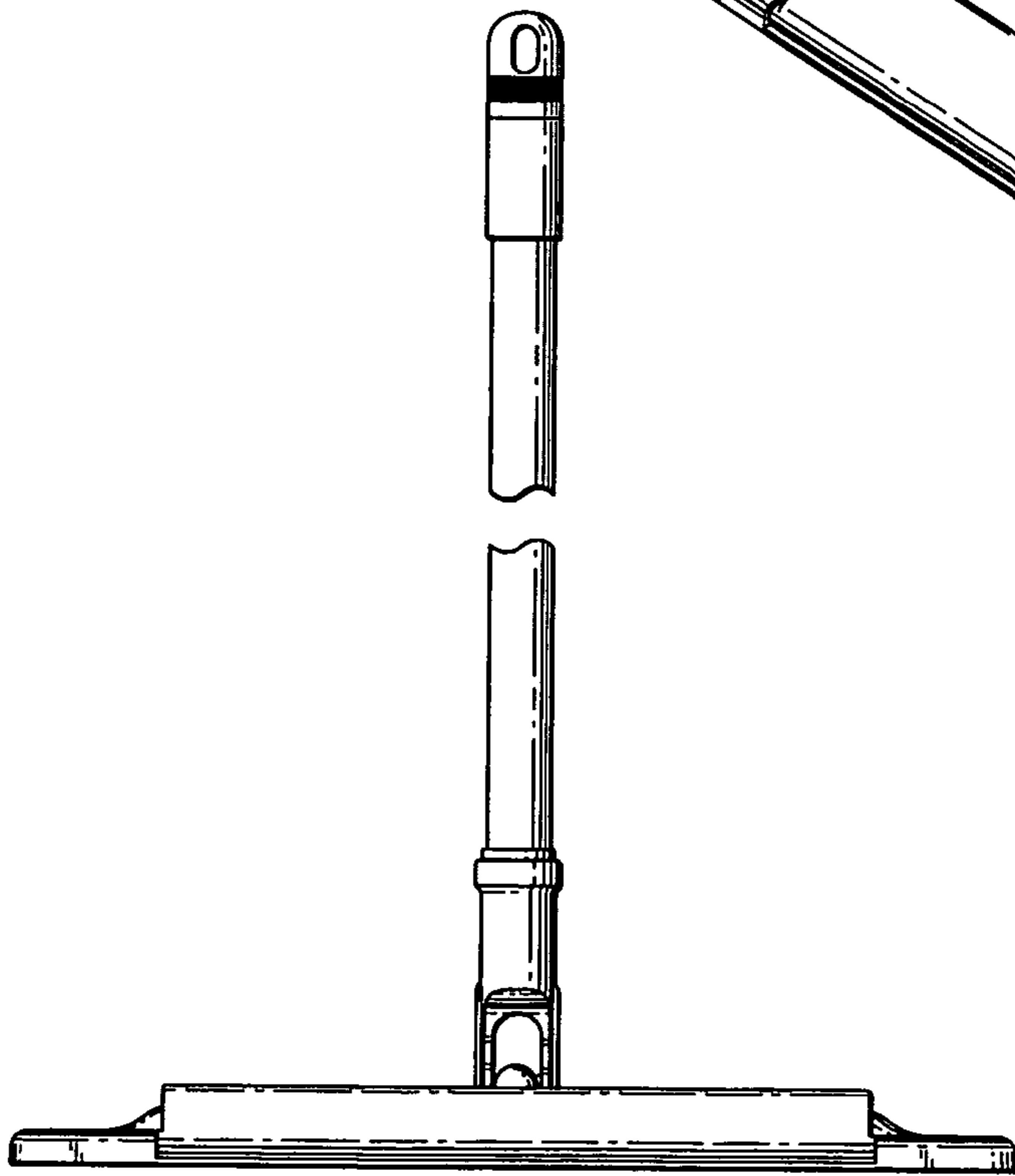
FIG. 6 is a bottom view thereof.

**1 Claim, 2 Drawing Sheets**





*FIG. 1*



*FIG. 2*

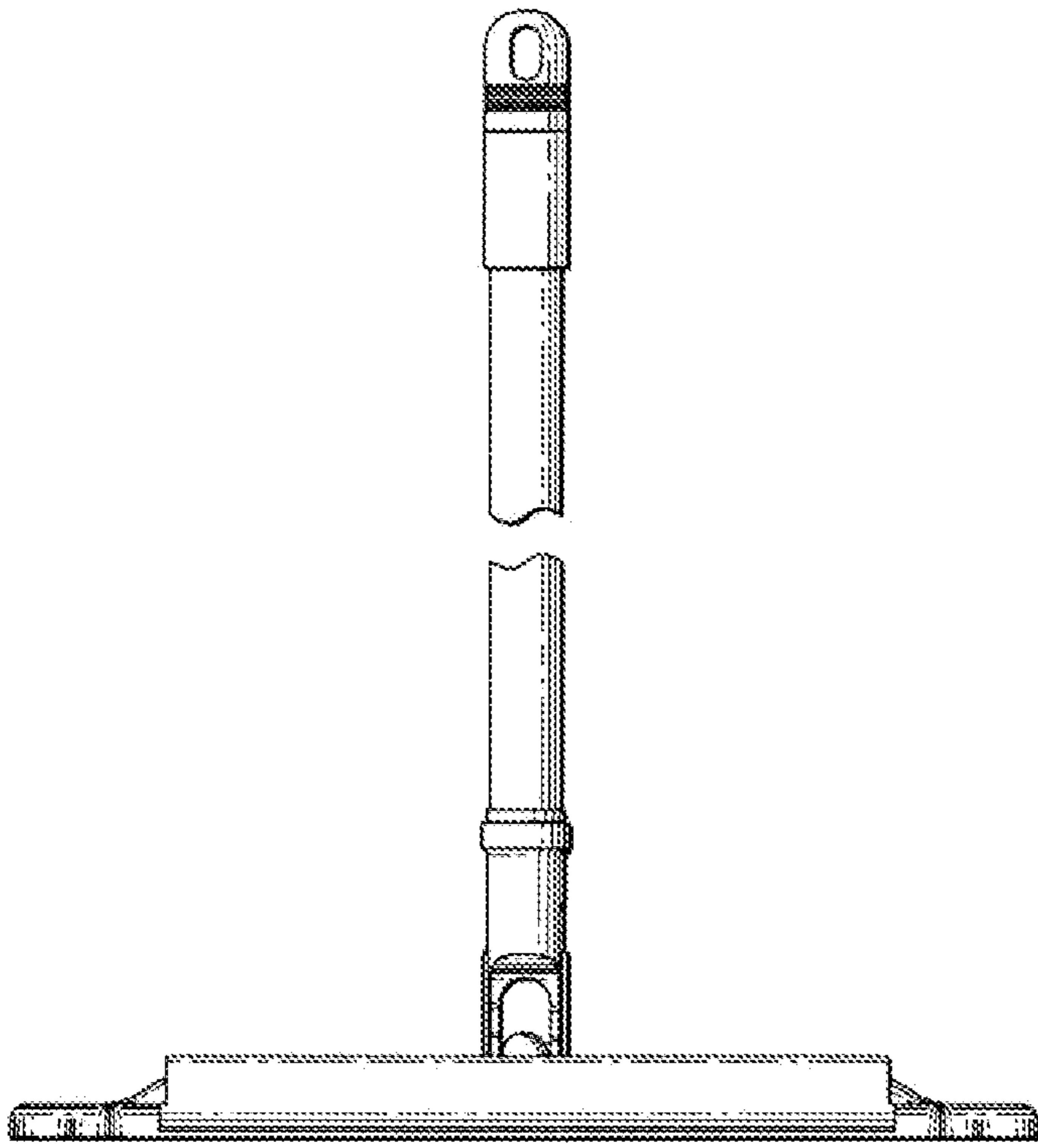


FIG. 3

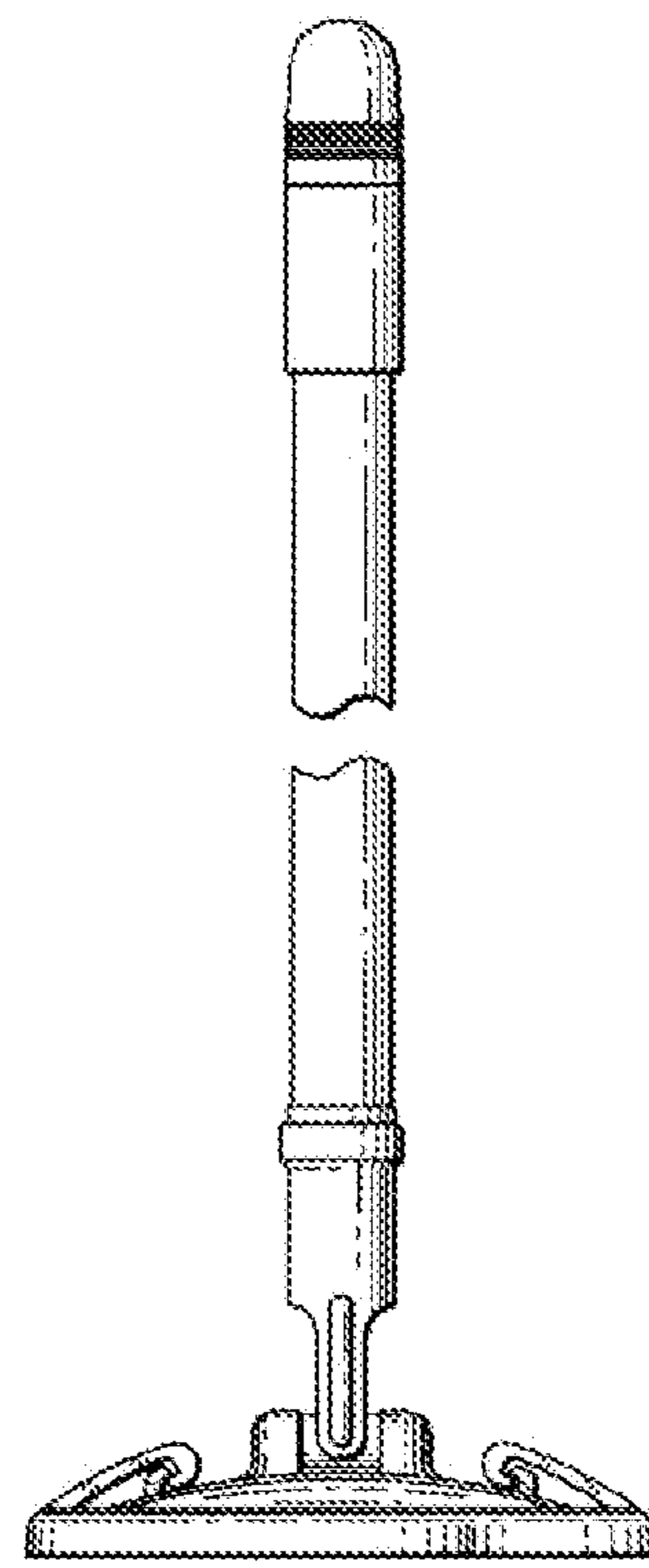


FIG. 4

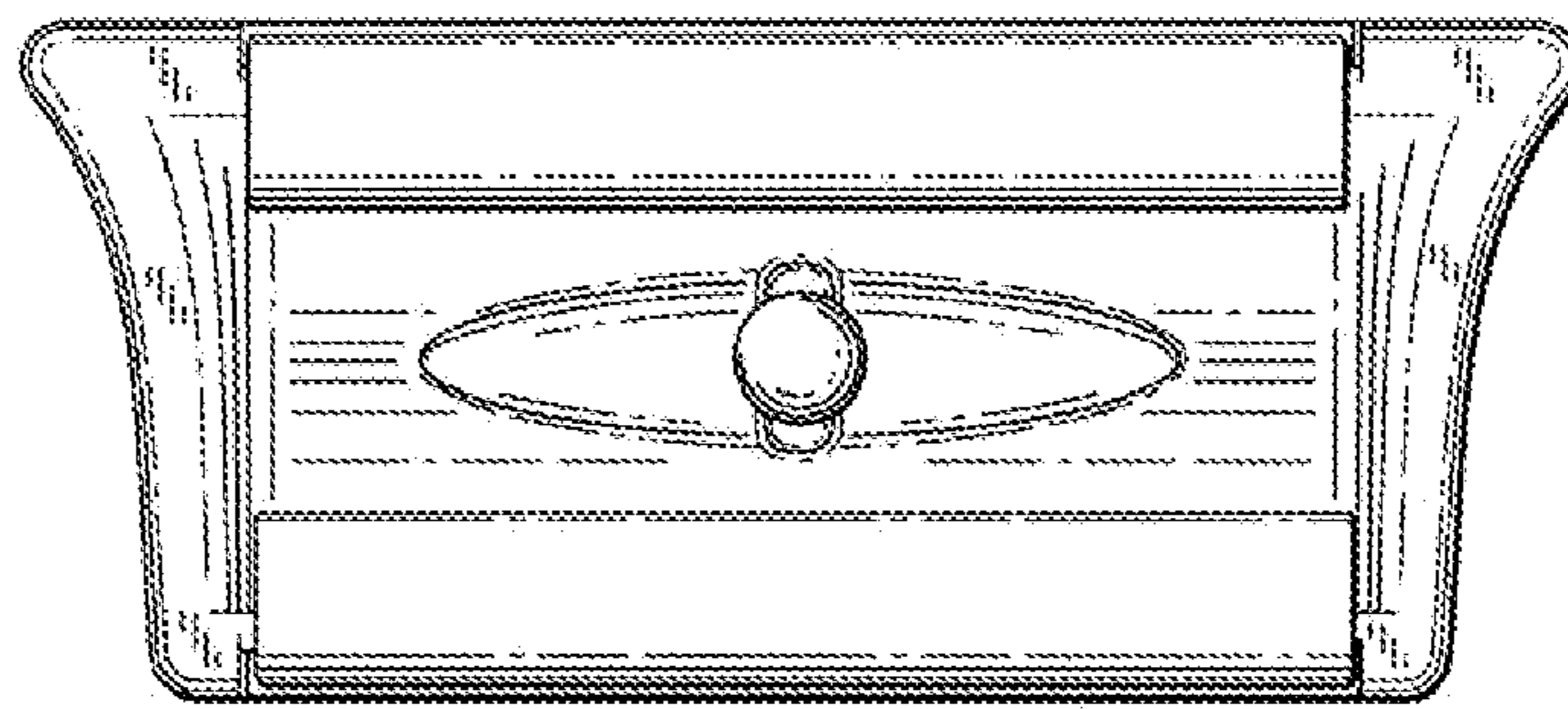


FIG. 5

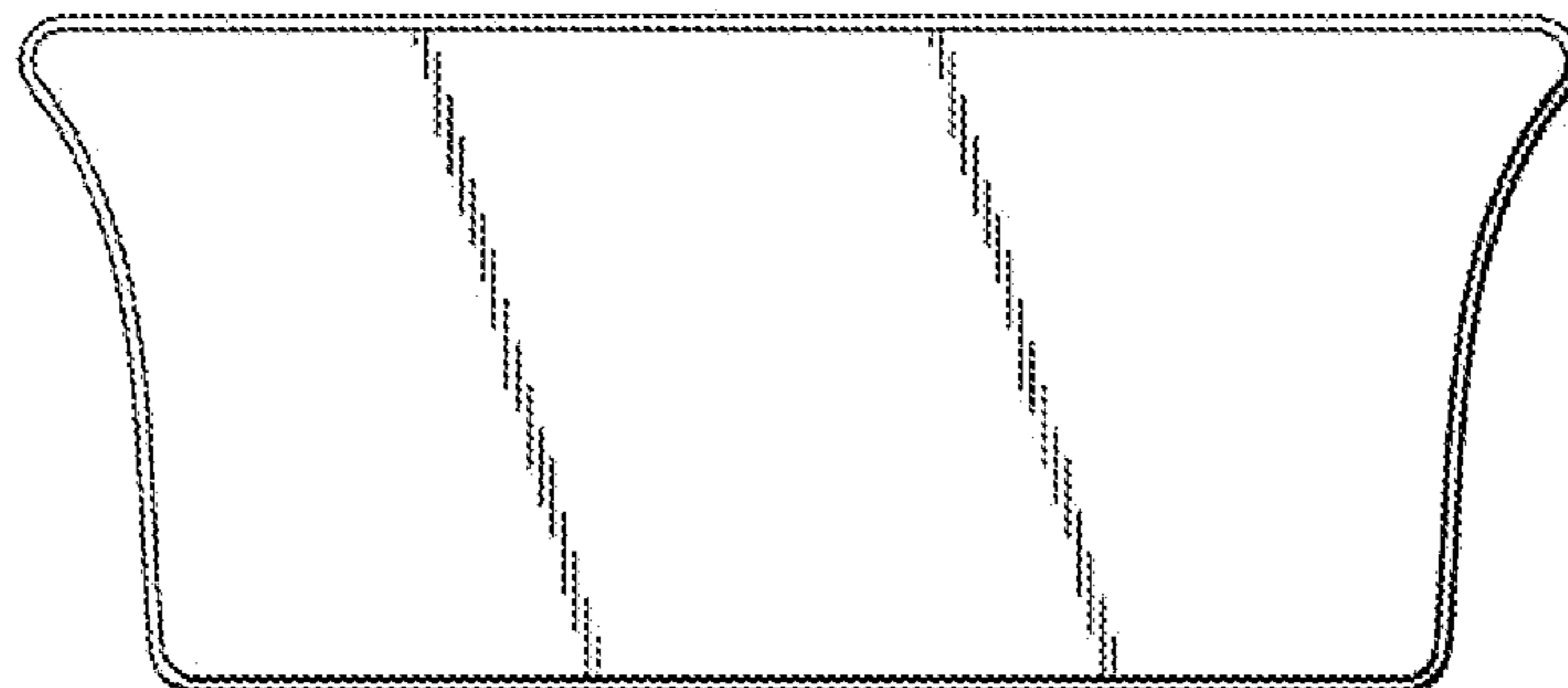


FIG. 6

UNITED STATES PATENT AND TRADEMARK OFFICE  
**CERTIFICATE OF CORRECTION**

PATENT NO. : Des. 563,618 S  
APPLICATION NO. : 29/266453  
DATED : March 4, 2008  
INVENTOR(S) : Weilai Jiang

Page 1 of 1

It is certified that error appears in the above-identified patent and that said Letters Patent is hereby corrected as shown below:

On the Title Page

Item (30) (Foreign Application Priority Data) – Delete “2006 3 0014003” and insert -- 2006 3 0014003.7 --.

Signed and Sealed this

Fifth Day of August, 2008

A handwritten signature in black ink that reads "Jon W. Dudas". The signature is written in a cursive, slightly stylized font.

JON W. DUDAS

*Director of the United States Patent and Trademark Office*