



US00D563616S

(12) **United States Design Patent**
Lynde et al.

(10) **Patent No.:** **US D563,616 S**
(45) **Date of Patent:** **** Mar. 4, 2008**

(54) **DISPOSABLE NON-WOVEN CLEANING WIPE**

(75) Inventors: **Kenton Ray Lynde**, Mason, OH (US);
Jonathan Joseph Powell, Cincinnati, OH (US); **Jerome Joo Ge Goh**, San Francisco, CA (US); **Adrian Benton James**, Palo Alto, CA (US)

(73) Assignee: **The Procter & Gamble Company**, Cincinnati, OH (US)

(**) Term: **14 Years**

(21) Appl. No.: **29/285,754**

(22) Filed: **Apr. 9, 2007**

Related U.S. Application Data

(62) Division of application No. 29/206,780, filed on Jun. 3, 2004, now Pat. No. Des. 553,315.

(51) **LOC (8) Cl.** **04-01**

(52) **U.S. Cl.** **D32/40**

(58) **Field of Classification Search** D2/919,
D2/923, 897; D4/199; D6/608; D28/7,
D28/63; D32/35, 40, 42, 50, 51; 2/158,
2/159; 15/208, 209.1, 227, 229.11, 210.1,
15/220.1, 228, 246, 244.1, 244.4, 244.3,
15/104.94, 104.93, 230, 231, 229.8, 229.4
See application file for complete search history.

(56) **References Cited**

U.S. PATENT DOCUMENTS

5,009,195 A * 4/1991 Damm 119/633

D317,171 S * 5/1991 Saks D17/20
D325,489 S * 4/1992 Pratt D6/608
D482,736 S * 11/2003 Manville D21/484
D488,195 S * 4/2004 Manville D21/484
D490,566 S * 5/2004 Bergquist et al. D28/8
D492,816 S * 7/2004 Bergquist et al. D28/7
2003/0031228 A1 * 2/2003 Jurgens et al. 374/162

FOREIGN PATENT DOCUMENTS

JP 11244016 A * 9/1999

* cited by examiner

Primary Examiner—Cathron Brooks

Assistant Examiner—Barbara Fox

(74) *Attorney, Agent, or Firm*—Amy I. Ahn-Roll

(57) **CLAIM**

The ornamental design for a disposable non-woven cleaning wipe, as shown and described.

DESCRIPTION

FIG. 1 is a perspective view of a disposable non-woven cleaning wipe, embodying the new design;

FIG. 2 is a rear view thereof, the opposite front view is a mirror image thereto;

FIG. 3 is a left view thereof;

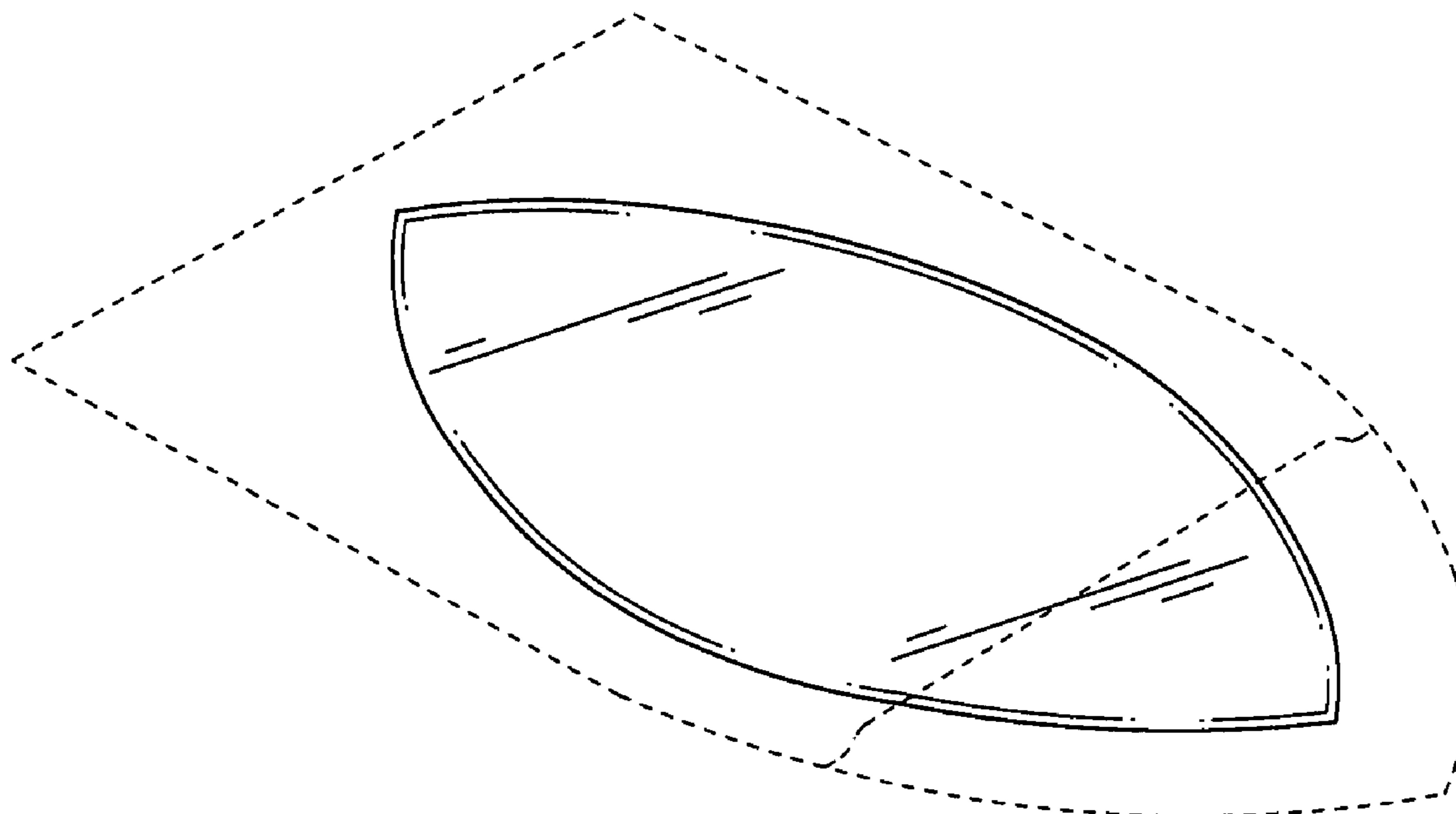
FIG. 4 is a right view thereof;

FIG. 5 is a top view thereof; and,

FIG. 6 is a bottom view thereof.

The broken lines shown in the drawings are for illustrative purposes only and form no part of the claimed design.

1 Claim, 2 Drawing Sheets



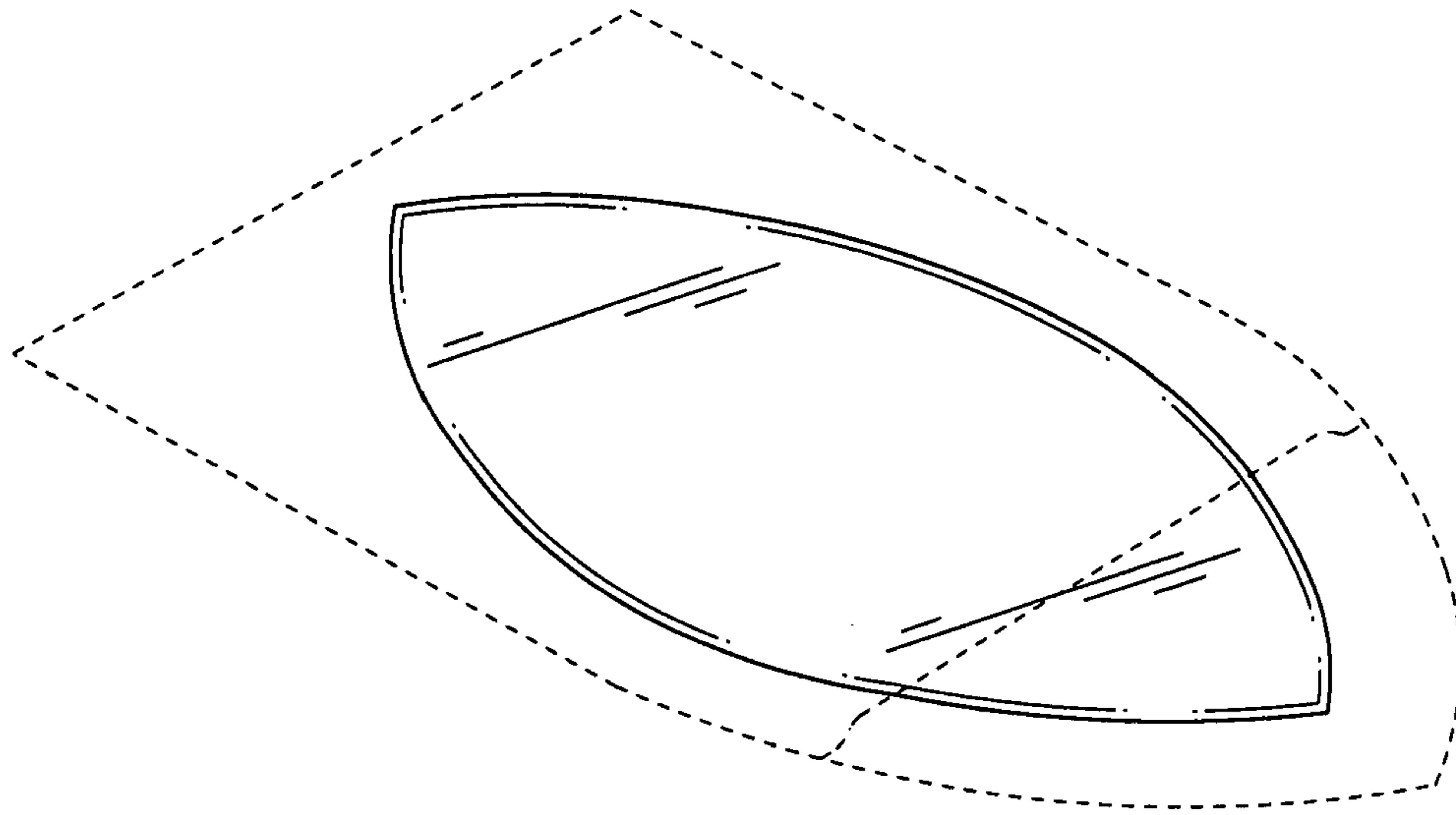


Fig. 1



Fig. 2



Fig. 3



Fig. 4

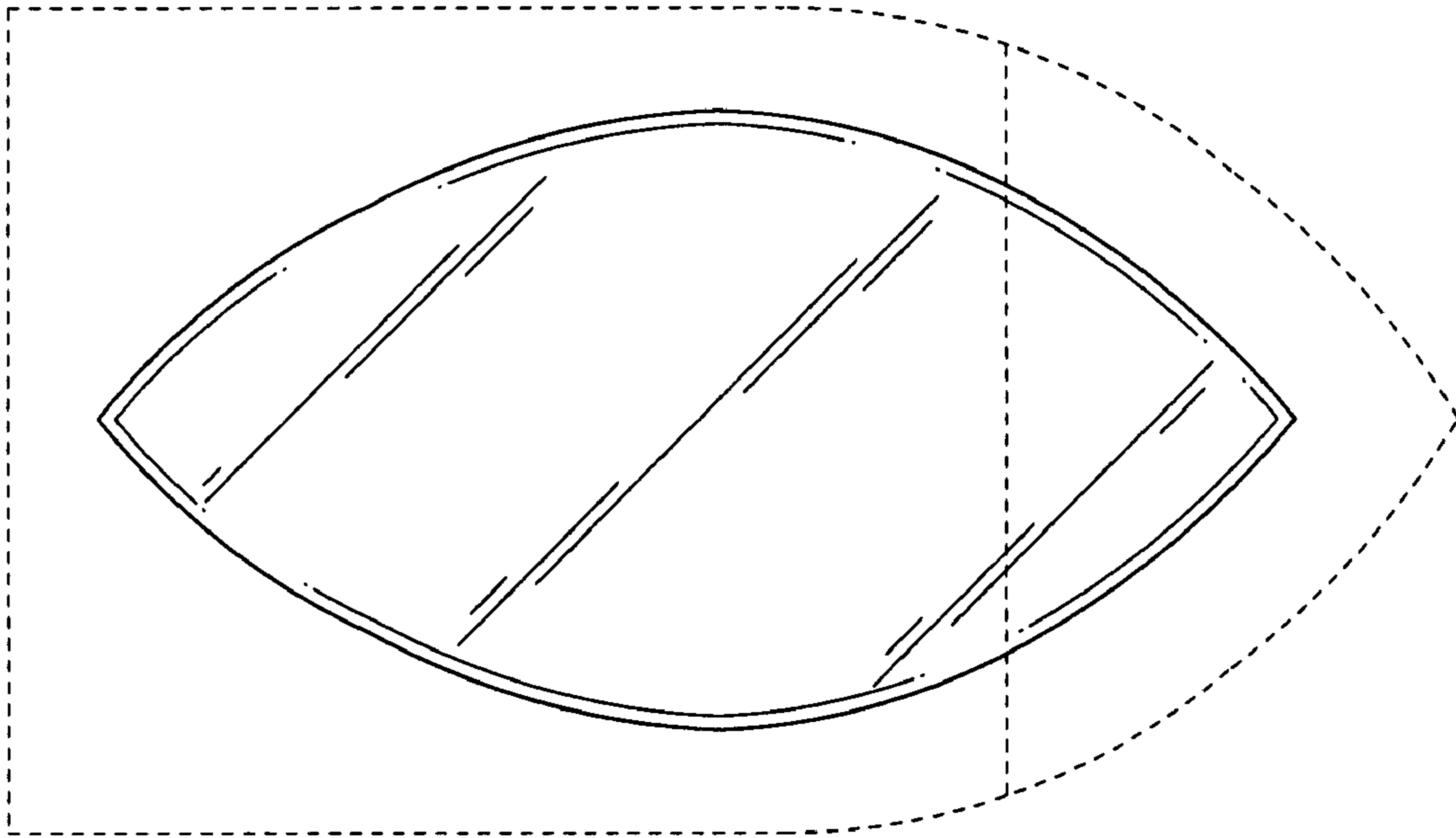


Fig. 5

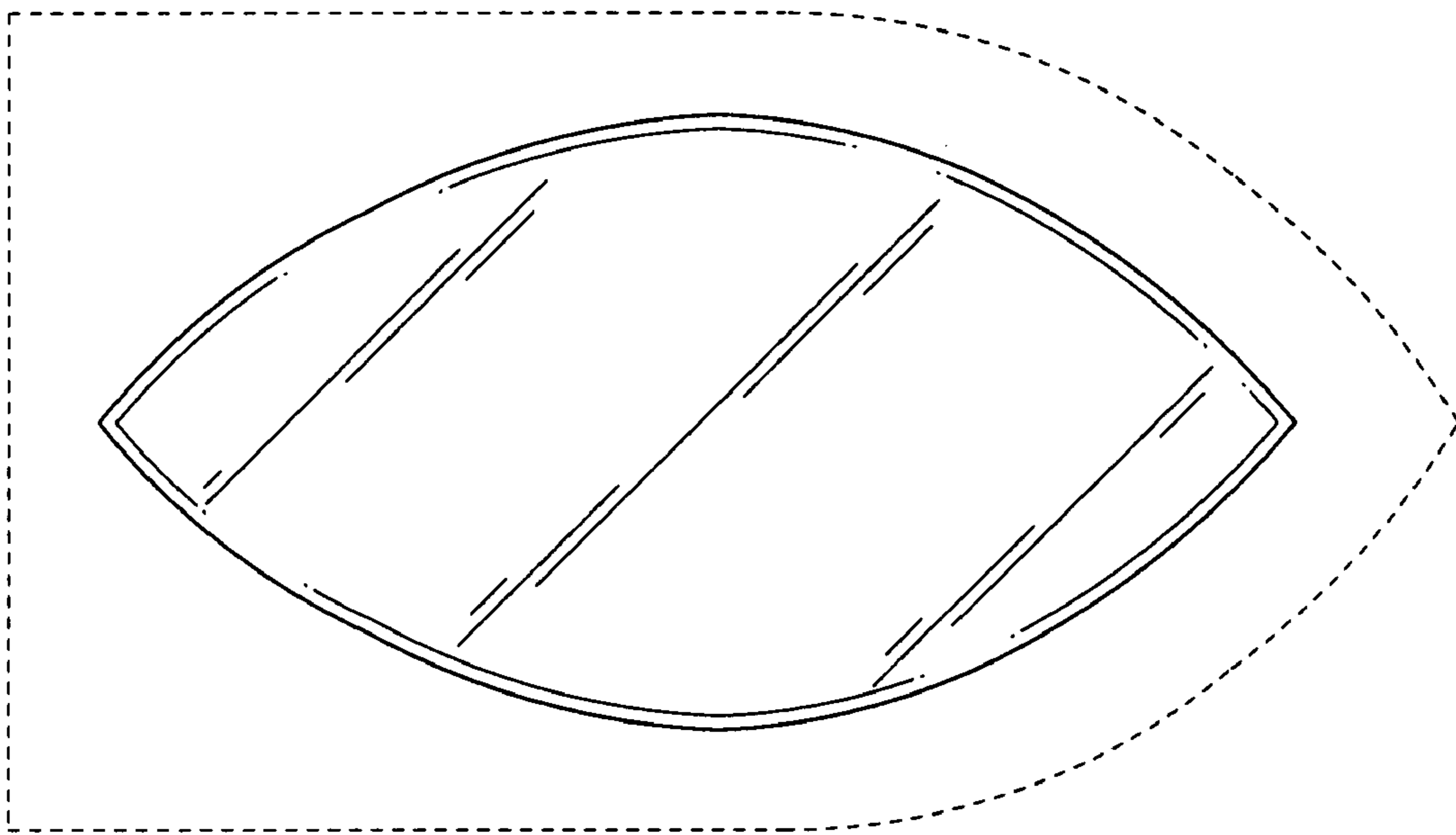


Fig. 6

UNITED STATES PATENT AND TRADEMARK OFFICE
CERTIFICATE OF CORRECTION

PATENT NO. : Des. 563,616 S
APPLICATION NO. : 29/285754
DATED : March 4, 2008
INVENTOR(S) : Kenton Ray Lynde et al.

Page 1 of 1

It is certified that error appears in the above-identified patent and that said Letters Patent is hereby corrected as shown below:

Title page item 30 - insert

Foreign Application Priority Data:

GB 3015452 12/3/2003

Signed and Sealed this

Twenty-ninth Day of July, 2008

A handwritten signature in black ink that reads "Jon W. Dudas". The signature is written in a cursive style with a large, looped initial "J".

JON W. DUDAS
Director of the United States Patent and Trademark Office