



US00D563613S

(12) **United States Design Patent**  
**Barringer**

(10) **Patent No.:** **US D563,613 S**

(45) **Date of Patent:** **\*\* Mar. 4, 2008**

(54) **HAND HELD GUN-STYLE CLEANING TOOL**

(76) **Inventor:** **Jack E. Barringer**, 3203 Greenwood Cir., Ames, IA (US) 50014

(\*\*) **Term:** **14 Years**

(21) **Appl. No.:** **29/248,687**

(22) **Filed:** **Aug. 29, 2006**

(51) **LOC (8) Cl.** ..... **15-05**

(52) **U.S. Cl.** ..... **D32/19**

(58) **Field of Classification Search** ..... D32/1,  
D32/15, 16, 17, 19, 20, 25; 15/28, 21.1,  
15/22.1, 22.2, 23, 97.1; D4/102, 127, 100,  
D4/129, 138; D8/62, 61

See application file for complete search history.

(56) **References Cited**

**U.S. PATENT DOCUMENTS**

|           |      |         |                     |         |
|-----------|------|---------|---------------------|---------|
| 4,724,563 | A *  | 2/1988  | Fry et al. ....     | 15/28   |
| D313,890  | S *  | 1/1991  | Machuron .....      | D4/102  |
| 5,187,827 | A *  | 2/1993  | Wei .....           | 15/22.1 |
| D368,343  | S *  | 3/1996  | Gebhard et al. .... | D32/35  |
| D417,789  | S *  | 12/1999 | Murphy et al. ....  | D4/102  |
| 6,250,833 | B1 * | 6/2001  | Perry et al. ....   | 401/278 |
| D492,560  | S *  | 7/2004  | Refson .....        | D8/61   |
| D525,752  | S *  | 7/2006  | Bakker .....        | D32/19  |
| D526,100  | S *  | 8/2006  | Van Wambeke .....   | D32/15  |

2002/0179124 A1\* 12/2002 Van Hauwermeiren et al. ... 134/  
34  
2005/0199265 A1\* 9/2005 France et al. .... 134/6  
2005/0278877 A1\* 12/2005 Akridge et al. .... 15/28

\* cited by examiner

*Primary Examiner*—Stella M. Reid

*Assistant Examiner*—Kathleen Sims

(74) *Attorney, Agent, or Firm*—McKee, Voorhees & Sease, P.L.C.

(57) **CLAIM**

I claim the ornamental design for a hand held gun-style cleaning tool, substantially as shown.

**DESCRIPTION**

FIG. 1 is a first perspective view of the hand held gun-style cleaning tool of the present invention.

FIG. 2 is a second perspective view of the tool.

FIG. 3 is a side elevation view of the tool, with the opposite side having the same appearance.

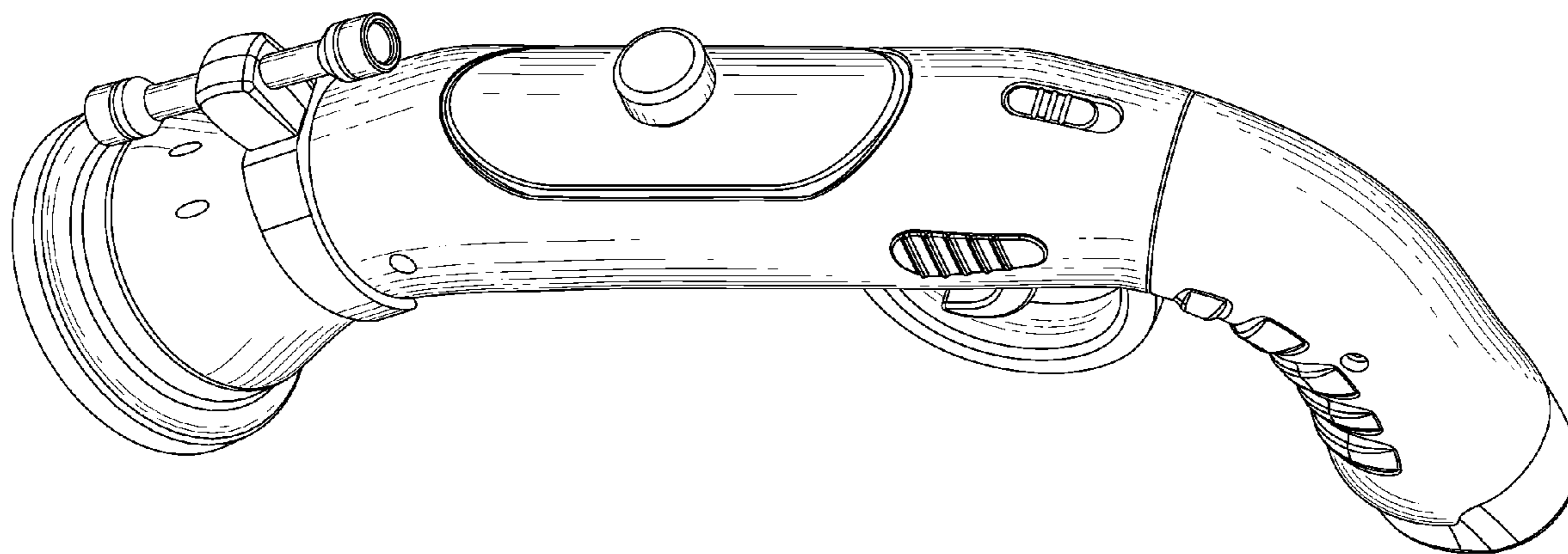
FIG. 4 is a top elevation view of the tool.

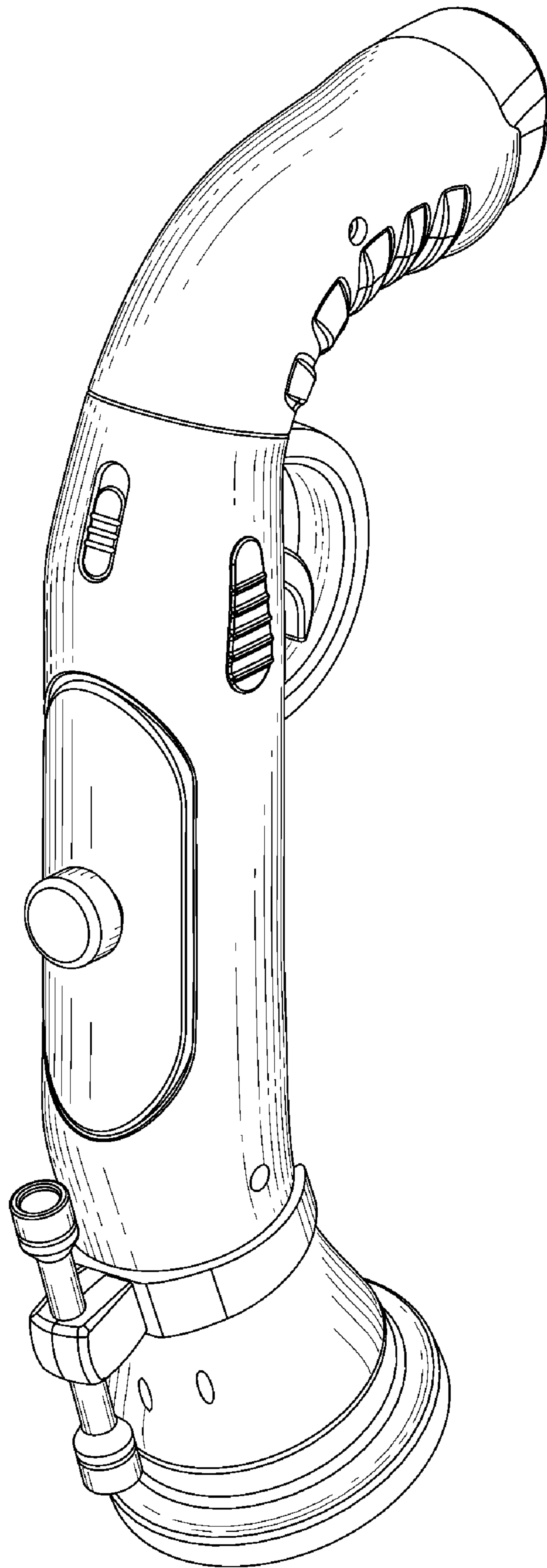
FIG. 5 is a bottom elevation view of the tool.

FIG. 6 is a front elevation view of the tool; and,

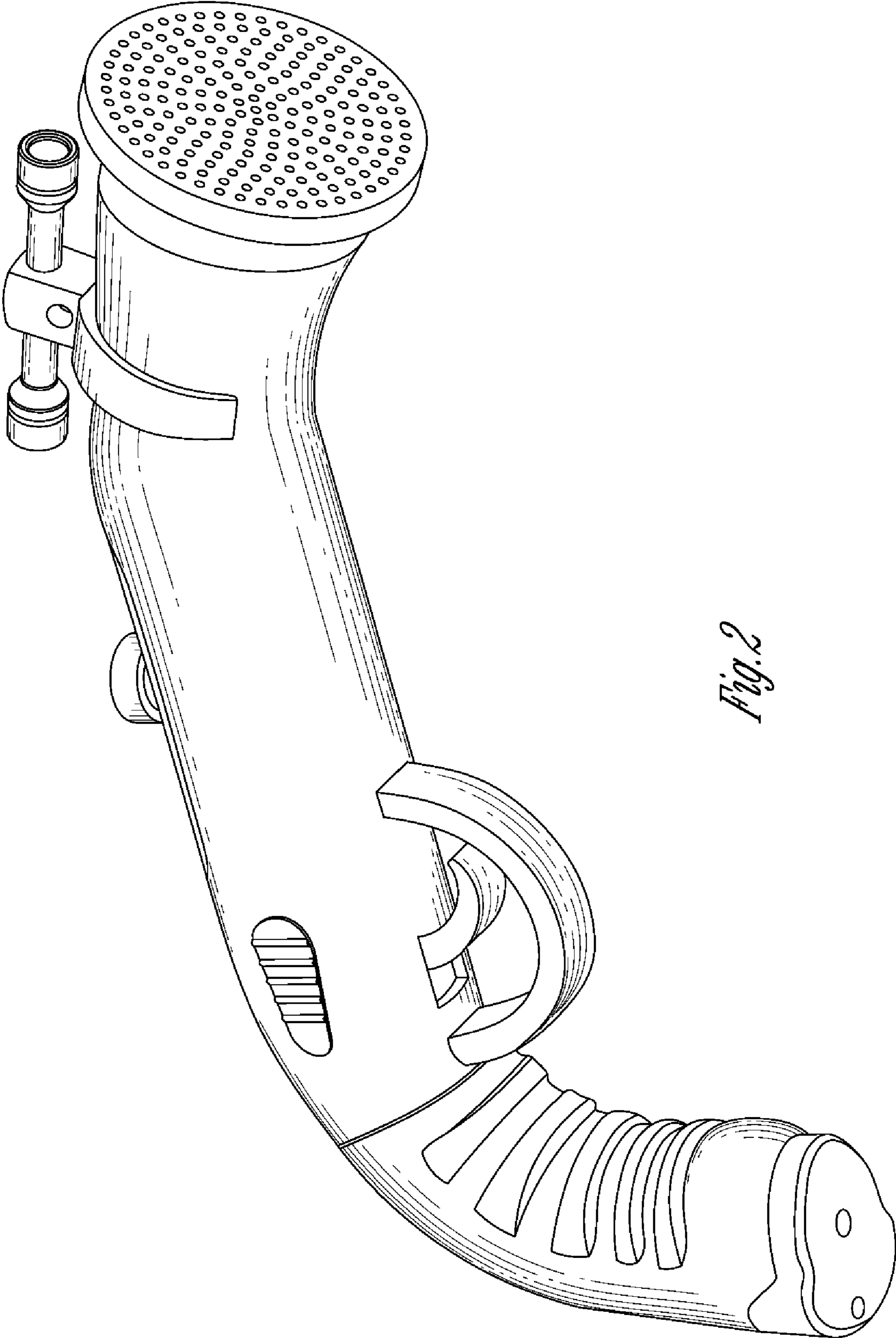
FIG. 7 is a rear elevation view of the tool.

**1 Claim, 5 Drawing Sheets**

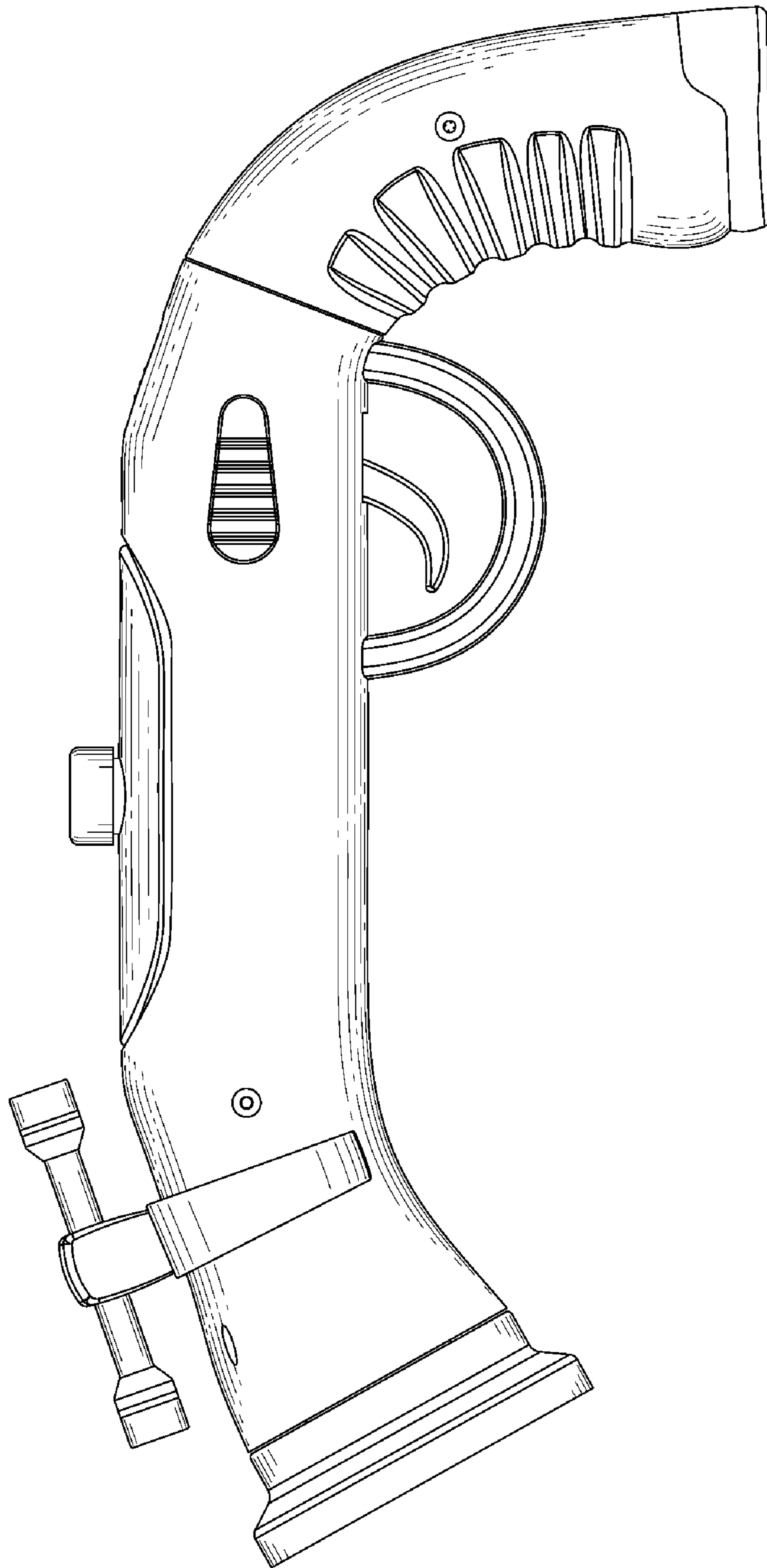




*Fig. 1*

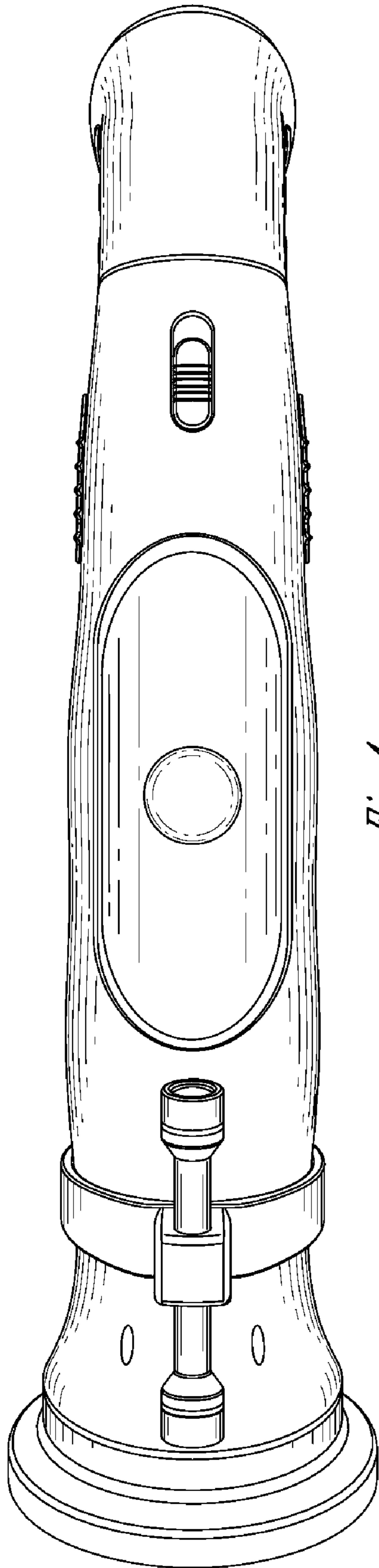


*Fig. 2*

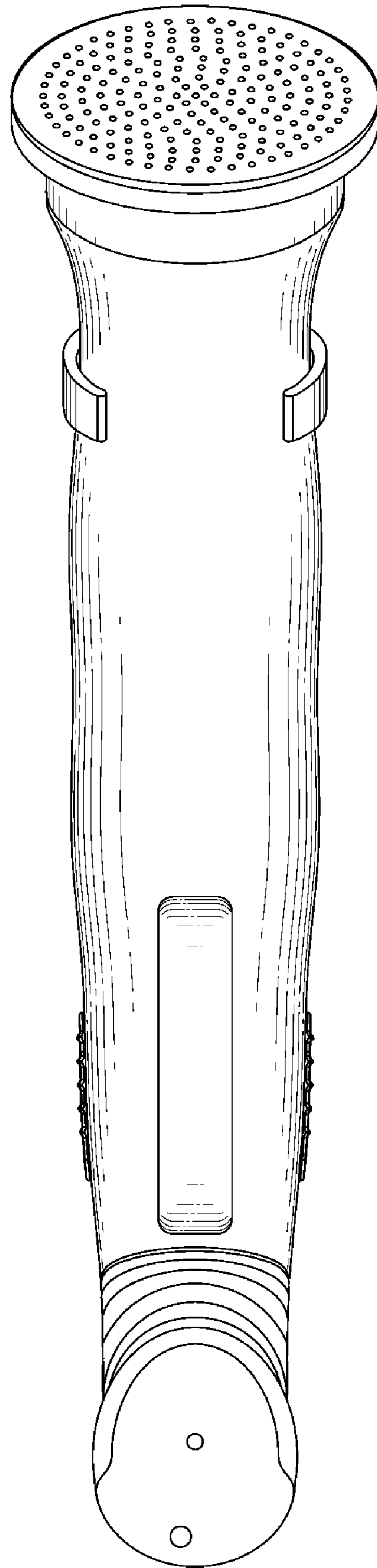


*Fig. 3*

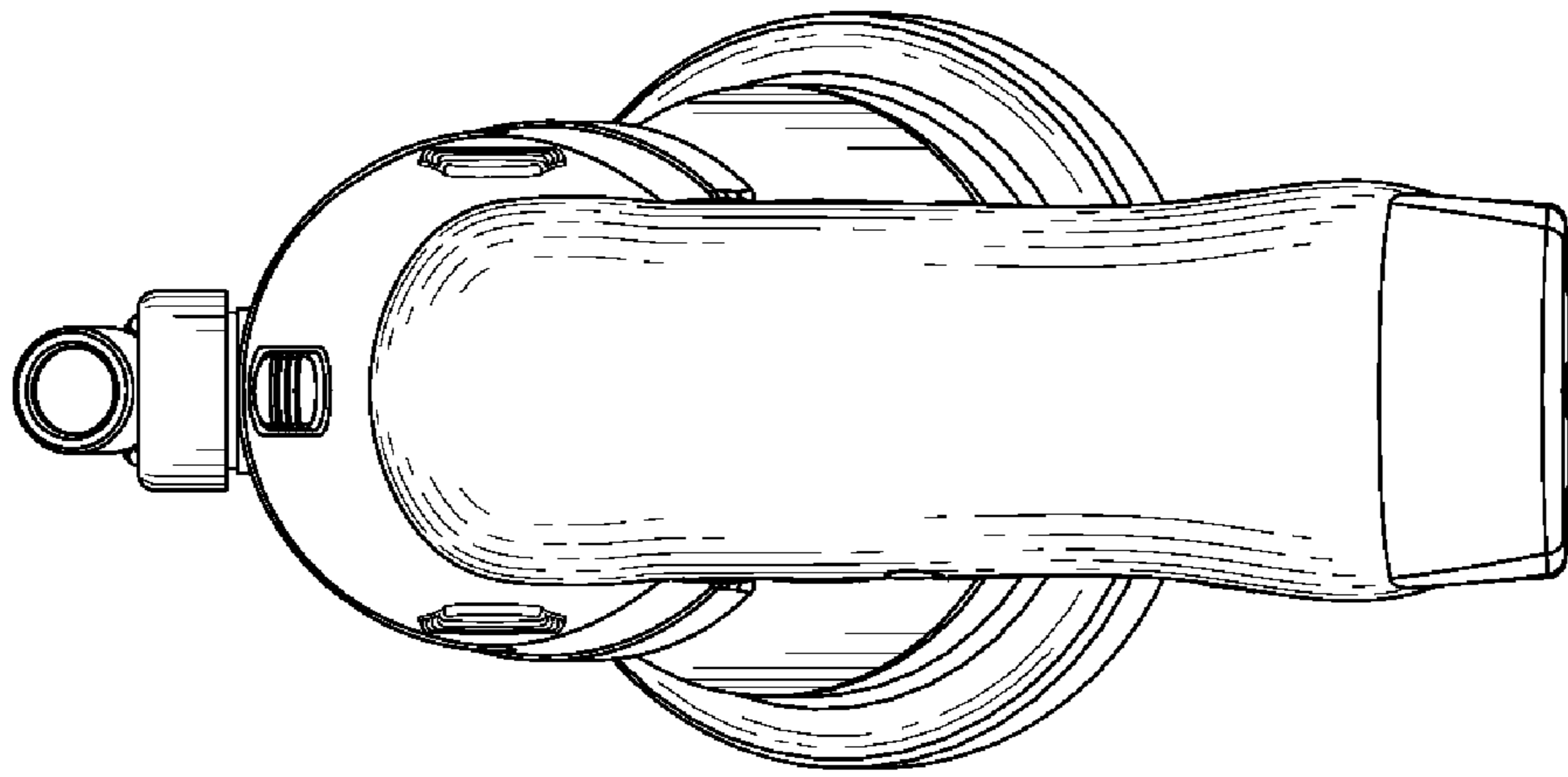




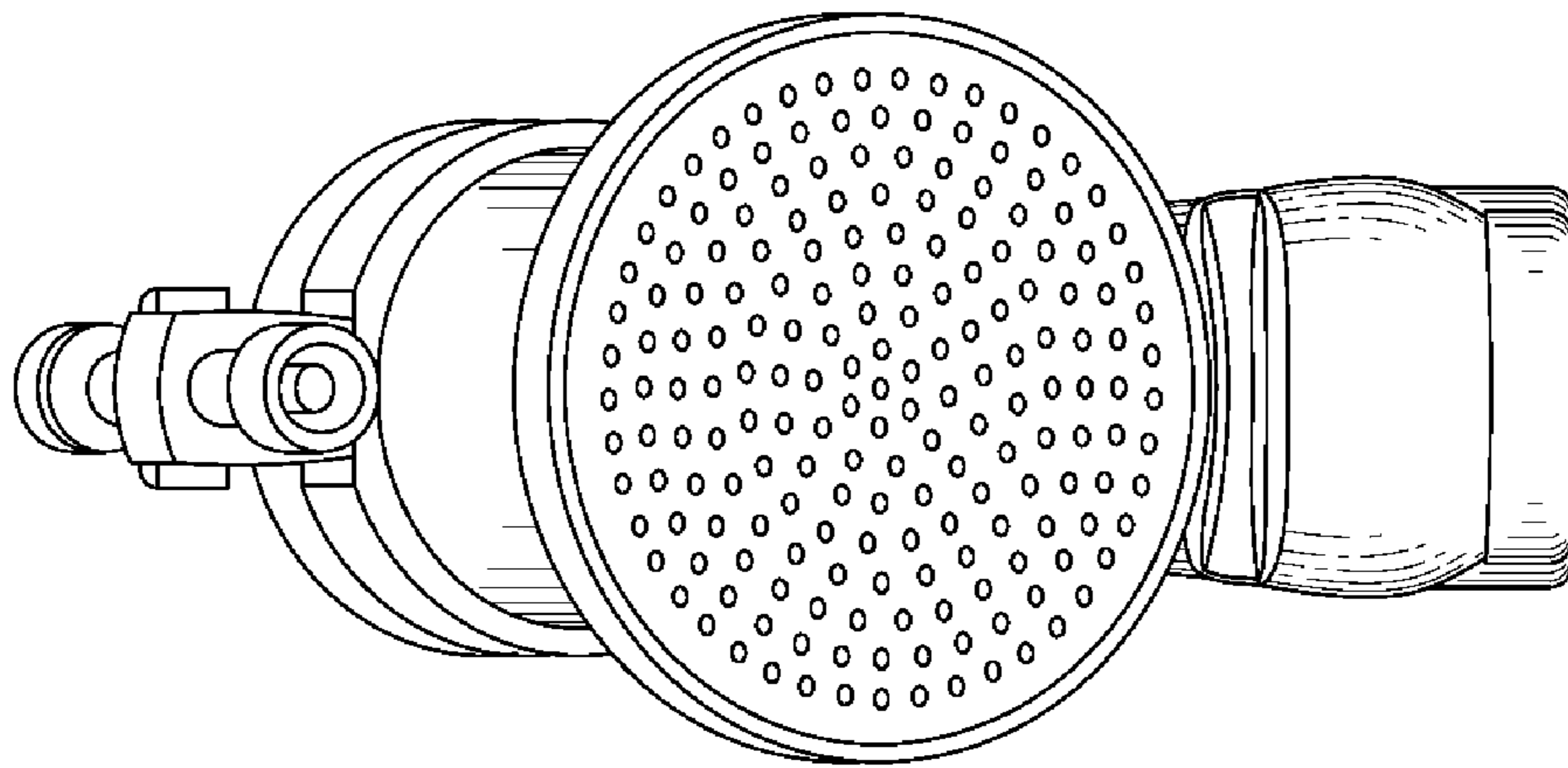
*Fig. 4*



*Fig. 5*



*Fig. 7*



*Fig. 6*