



US00D563610S

(12) **United States Design Patent**
Leo

(10) **Patent No.:** **US D563,610 S**
(45) **Date of Patent:** **** Mar. 4, 2008**

(54) **TOY FOR PETS**

(75) Inventor: **Franca Leo**, Turin (IT)

(73) Assignee: **Ciuffo Gatto S.r.l.**, Turin (IT)

(**) Term: **14 Years**

(21) Appl. No.: **29/271,218**

(22) Filed: **Jan. 12, 2007**

(30) **Foreign Application Priority Data**

Jul. 13, 2006 (EM) 000560495

(51) **LOC (8) Cl.** **30-99**

(52) **U.S. Cl.** **D30/160**

(58) **Field of Classification Search** D30/160;
119/700, 702-703, 706-711; D24/193-195;
D1/104, 106, 120, 122, 126, 199; D21/465
See application file for complete search history.

(56) **References Cited**

U.S. PATENT DOCUMENTS

- D161,595 S * 1/1951 Rubin et al. D1/104
- D347,898 S * 6/1994 Belcher D24/211
- D368,339 S * 3/1996 O'Rourke et al. D30/160
- D377,815 S * 2/1997 Deprima D21/623
- D417,319 S * 11/1999 Weiss, Jr. D30/160

- D421,633 S * 3/2000 Hollister D21/465
- D461,025 S * 7/2002 Pentland et al. D30/160
- D494,735 S * 8/2004 Dahl et al. D1/199
- D507,684 S * 7/2005 Jager D30/160
- D546,402 S * 7/2007 Sonnier D21/662

* cited by examiner

Primary Examiner—Cathy Anne MacCormac

(74) *Attorney, Agent, or Firm*—Knobbe Martens Olson & Bear LLP

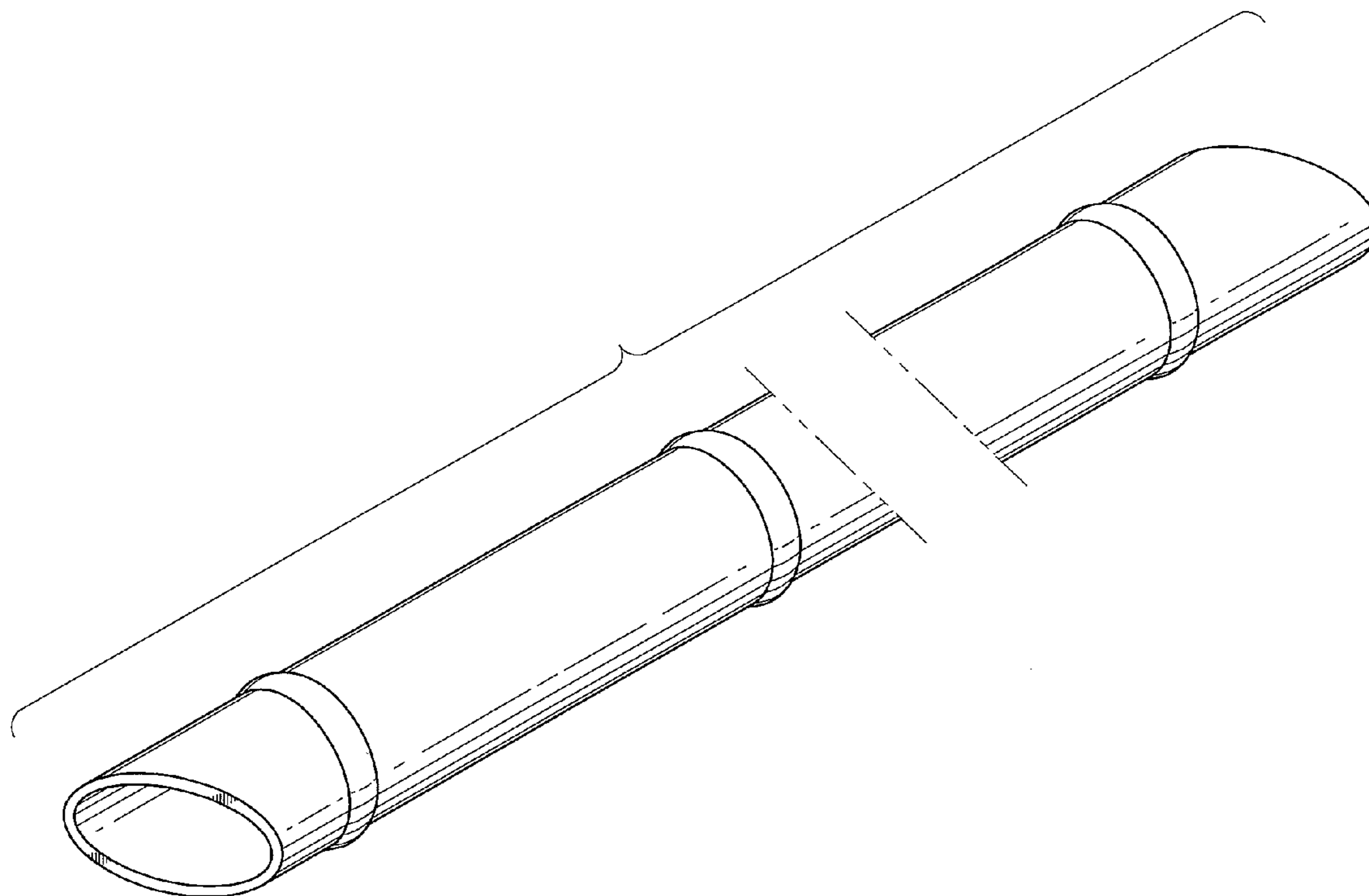
(57) **CLAIM**

The ornamental design for a toy for pets, as shown and described.

DESCRIPTION

FIG. 1 is a perspective view showing the new design
 FIG. 2 is a top view of the design of FIG. 1;
 FIG. 3 is a bottom view of the design of FIG. 1;
 FIG. 4 is a left view of the design of FIG. 1;
 FIG. 5 is a right view of the design of FIG. 1;
 FIG. 6 is a front view of the design in FIG. 1; and,
 FIG. 7 is a rear view of the design in FIG. 1.
 FIGS. 1 and 4-7 show the design with indeterminate length.

1 Claim, 3 Drawing Sheets



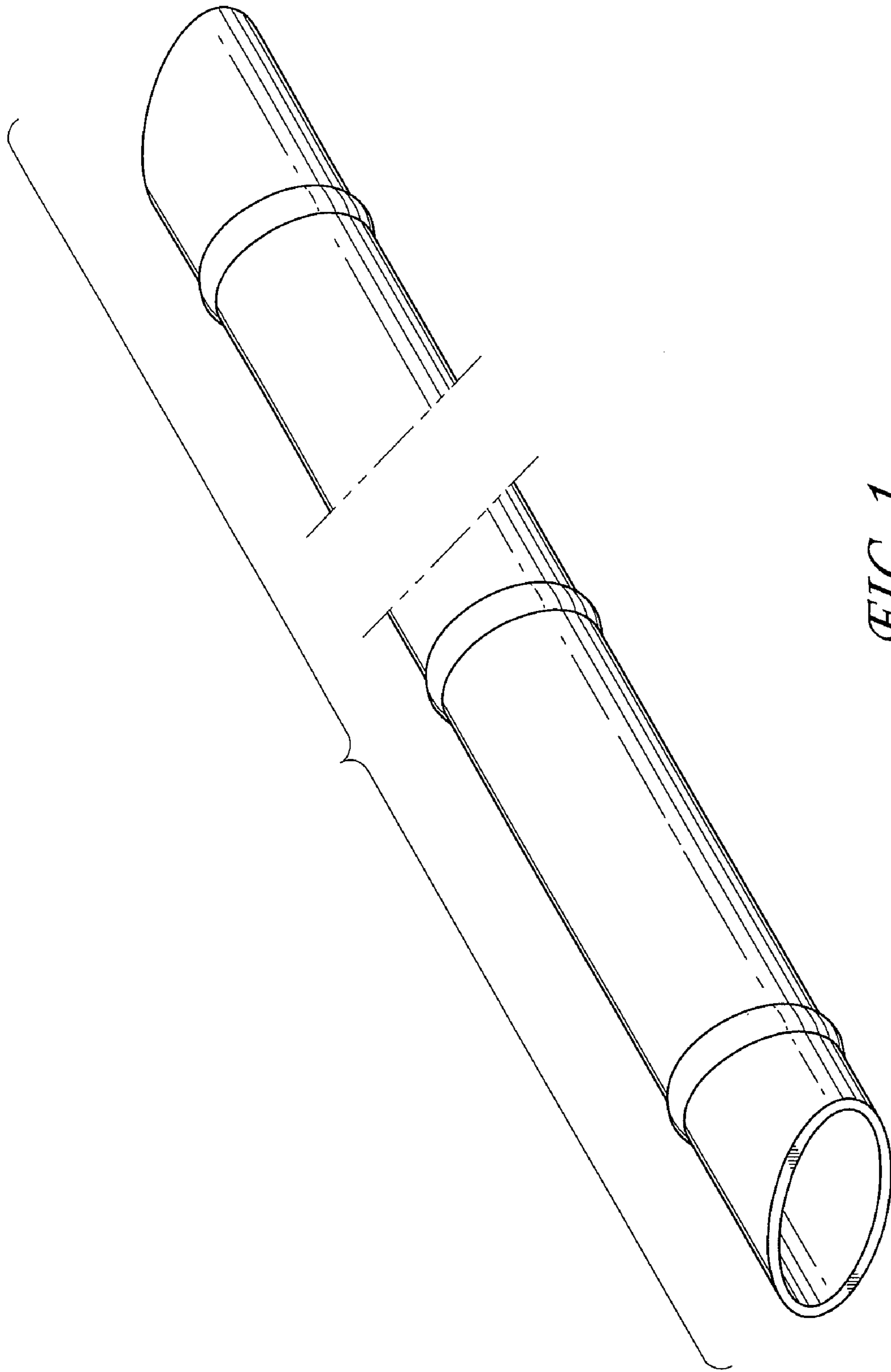


FIG. 1

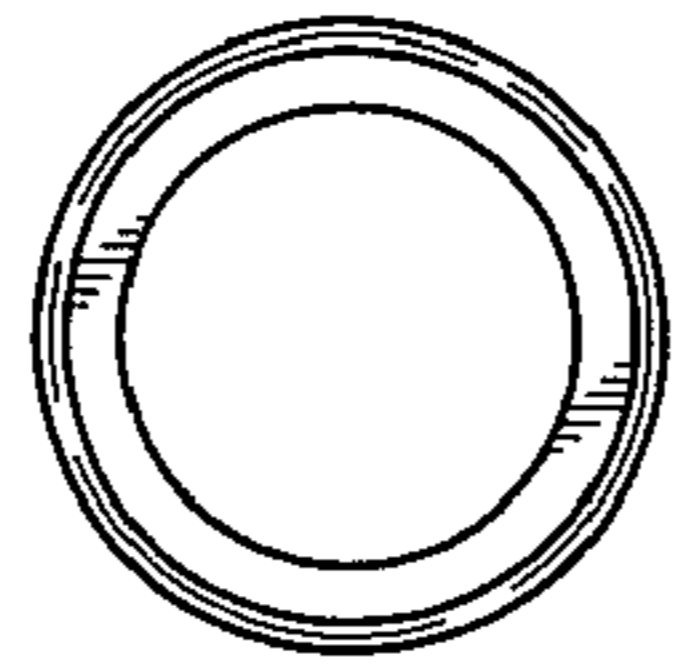


FIG. 2

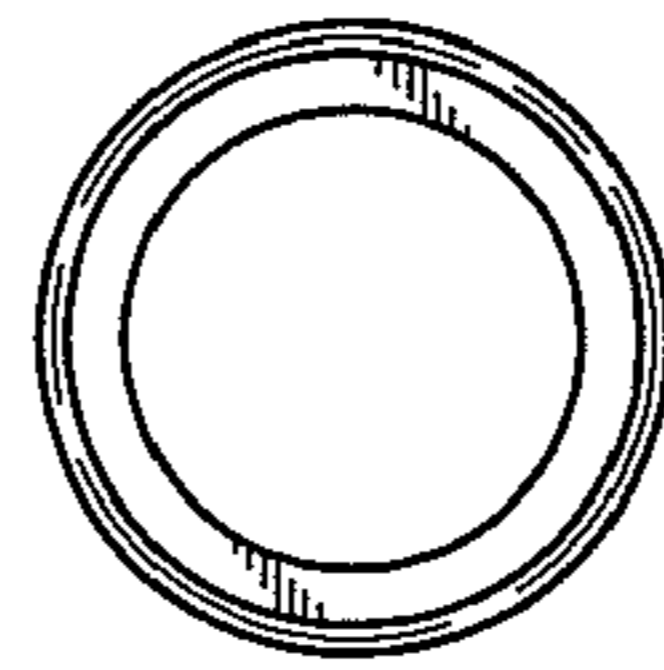


FIG. 3

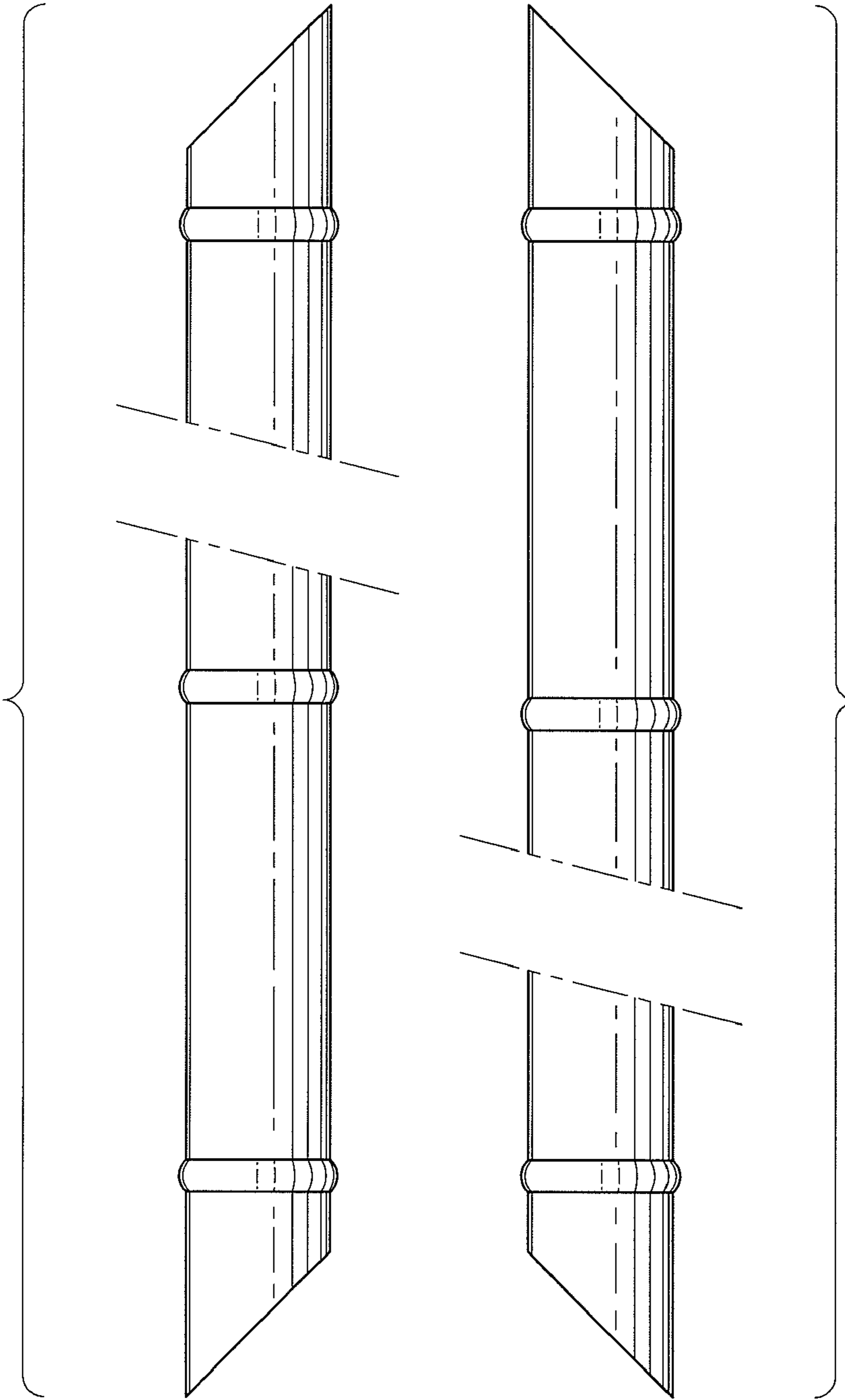


FIG. 4

FIG. 5

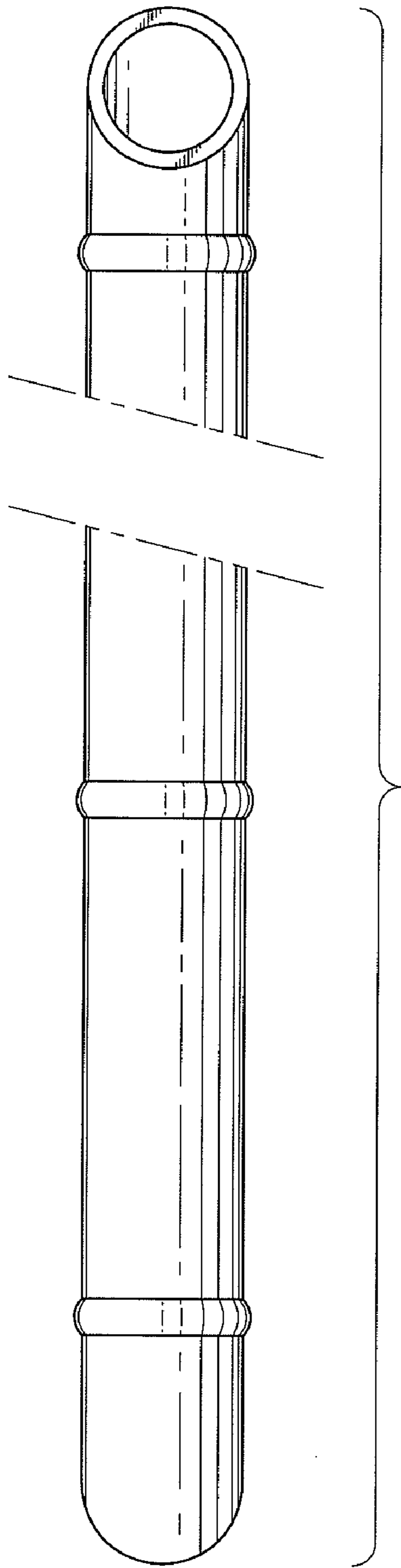


FIG. 6

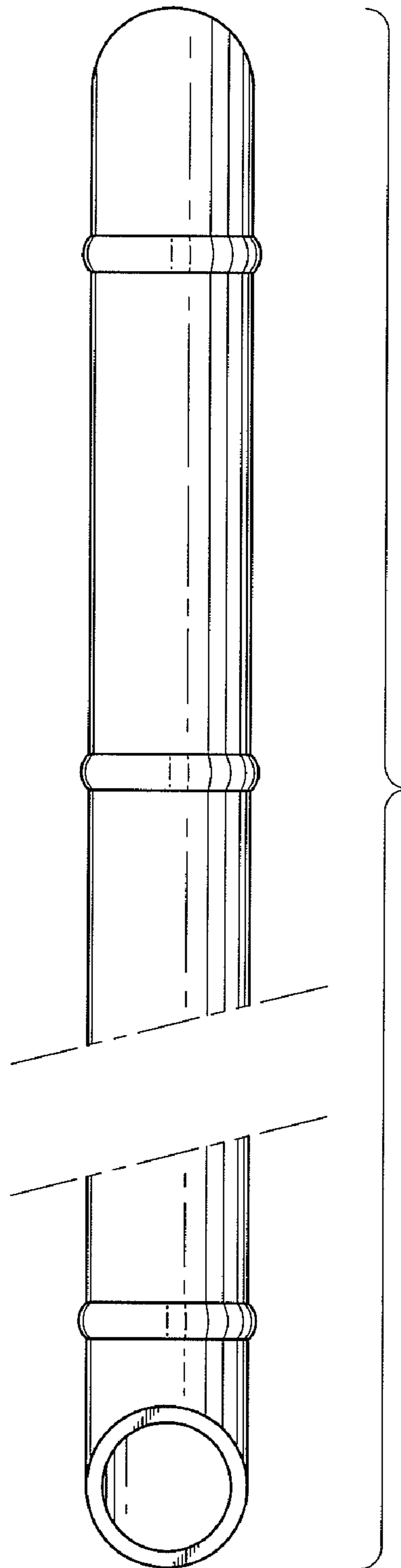


FIG. 7