



US00D563605S

(12) **United States Design Patent** (10) **Patent No.:** **US D563,605 S**  
**Morris et al.** (45) **Date of Patent:** **\*\* Mar. 4, 2008**

(54) **PET FEEDER**

(75) Inventors: **Kit Morris**, Austin, TX (US); **Peter Kaltenbach**, Austin, TX (US); **Nick Anderson**, Oakville (CA); **Nick Poteracki**, Austin, TX (US)

(73) Assignee: **Doskocil Manufacturing Company, Inc.**, Arlington, TX (US)

(\*\*) Term: **14 Years**

(21) Appl. No.: **29/277,156**

(22) Filed: **Feb. 16, 2007**

(51) **LOC (8) Cl.** ..... **30-07**

(52) **U.S. Cl.** ..... **D30/122; D30/121; D30/129**

(58) **Field of Classification Search** ..... D30/121, D30/122, 129-133; 119/61.5, 51.01, 61.56, 119/51.03, 59, 62, 63, 51.5, 57.8, 74, 61.54, 119/61.55, 53, 53.5, 75; 312/204; 248/151, 248/188; 108/156, 153.1-157; 220/23.87, 220/630, 737, 743, 9.4, 495.01, 574, 212, 220/255, 23.83; 206/515; D7/586, 543, D7/550.1, 587, 505, 584, 545, 500, 553.1-553.8, D7/546, 555, 556, 504, 565, 562, 602; D9/429; 43/109; D22/122; 99/430, DIG. 15

See application file for complete search history.

(56) **References Cited**

**U.S. PATENT DOCUMENTS**

3,720,184 A	3/1973	Pearce	
3,800,745 A	4/1974	Fassauer	
4,513,688 A	4/1985	Fassauer	
4,651,679 A *	3/1987	Fassauer	..... 119/51.5
D330,098 S	10/1992	VanSkiver	
D350,841 S	9/1994	VanSkiver	
D350,842 S	9/1994	VanSkiver	
D351,689 S	10/1994	VanSkiver	
D364,942 S	12/1995	VanSkiver et al.	

D367,735 S	3/1996	VanSkiver et al.	
D374,109 S	9/1996	Lillelund et al.	
D406,924 S	3/1999	Kolozsvari	
D406,926 S	3/1999	Kolozsvari	
6,055,932 A	5/2000	Weber	
6,477,981 B1	11/2002	Harper	
6,789,503 B1	9/2004	Gao	
D504,545 S *	4/2005	Morosin et al.	..... D30/122
6,928,954 B2 *	8/2005	Krishnamurthy	..... 119/51.5

**OTHER PUBLICATIONS**

Ergo Systems, Inc., "Autopetfeeder, For All Size Dogs & Cats," ergosys.net. (2001).  
Doskocil Manufacturing, Inc., "Product Brochure," Doskocil Manufacturing, Inc. (Arlington, TX, (Jan. 4, 1998).  
Blitz USA, "Petite Gourmet, Pet Feeder Product," Blitz USA, (Miami, OK), (Sep. 2001).

\* cited by examiner

*Primary Examiner*—Melanie Tung  
*Assistant Examiner*—Susan Moon Lee  
(74) *Attorney, Agent, or Firm*—Locke Lord Bissell & Liddell LLP

(57) **CLAIM**

The ornamental design for a pet feeder, as shown and described.

**DESCRIPTION**

FIG. 1 is a perspective view of a pet feeder;  
FIG. 2 is a top plan view thereof;  
FIG. 3 is a left side view thereof;  
FIG. 4 is a front elevational view thereof;  
FIG. 5 is a right side view thereof; and,  
FIG. 6 is a rear elevational view thereof.  
The unshown portion of the pet feeder forms no part of the claimed design.

**1 Claim, 3 Drawing Sheets**

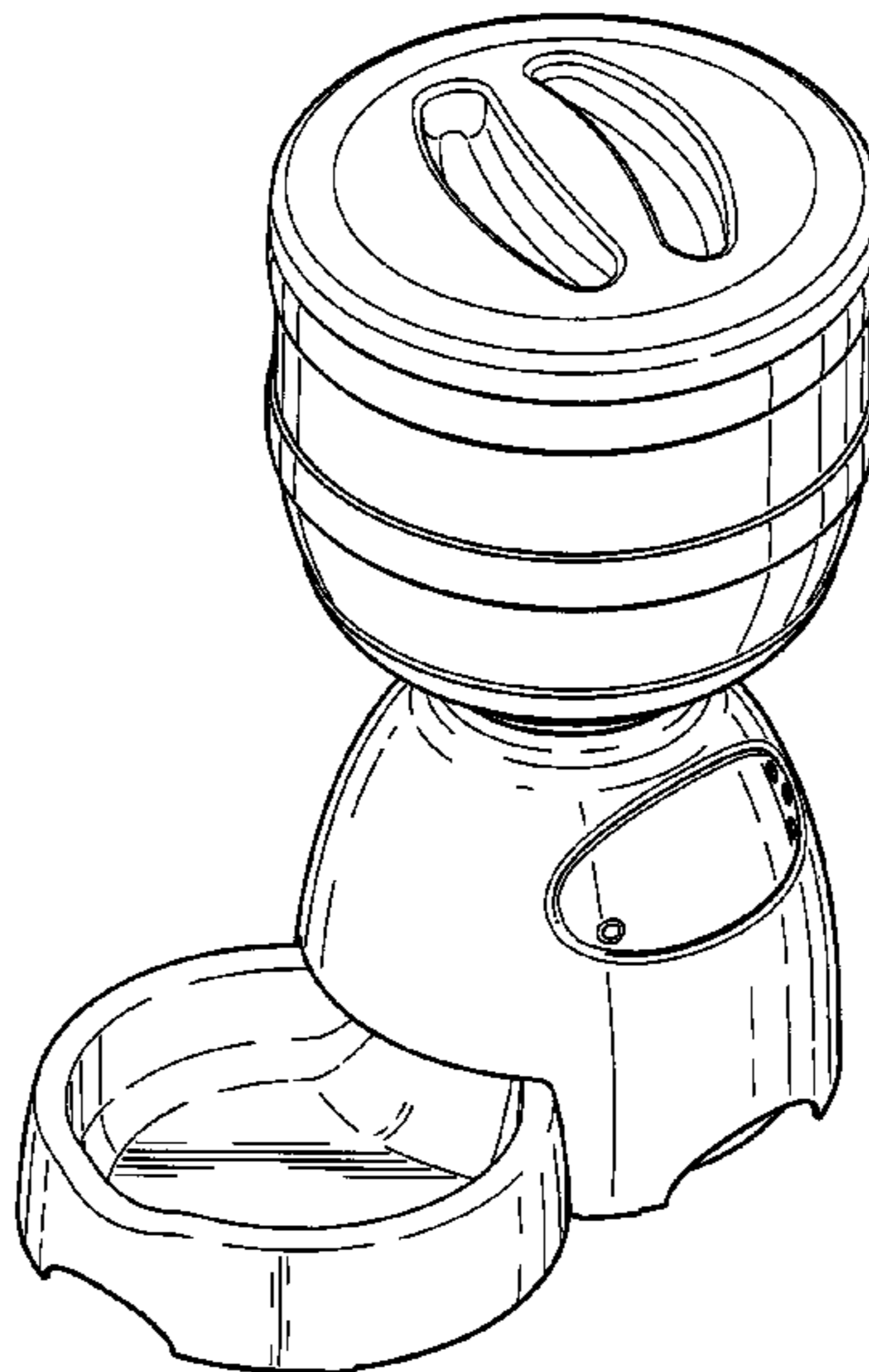


FIG. 1

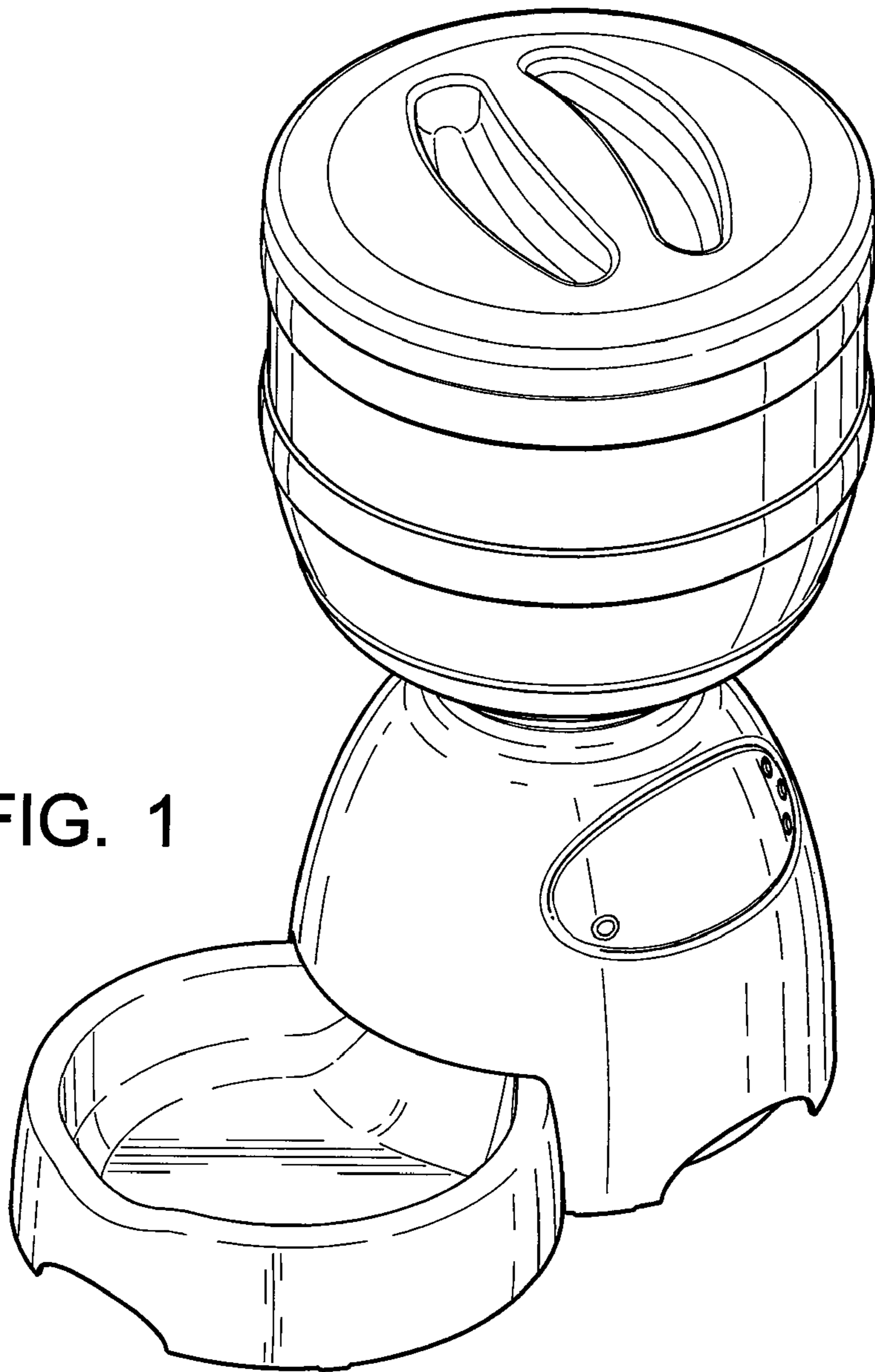
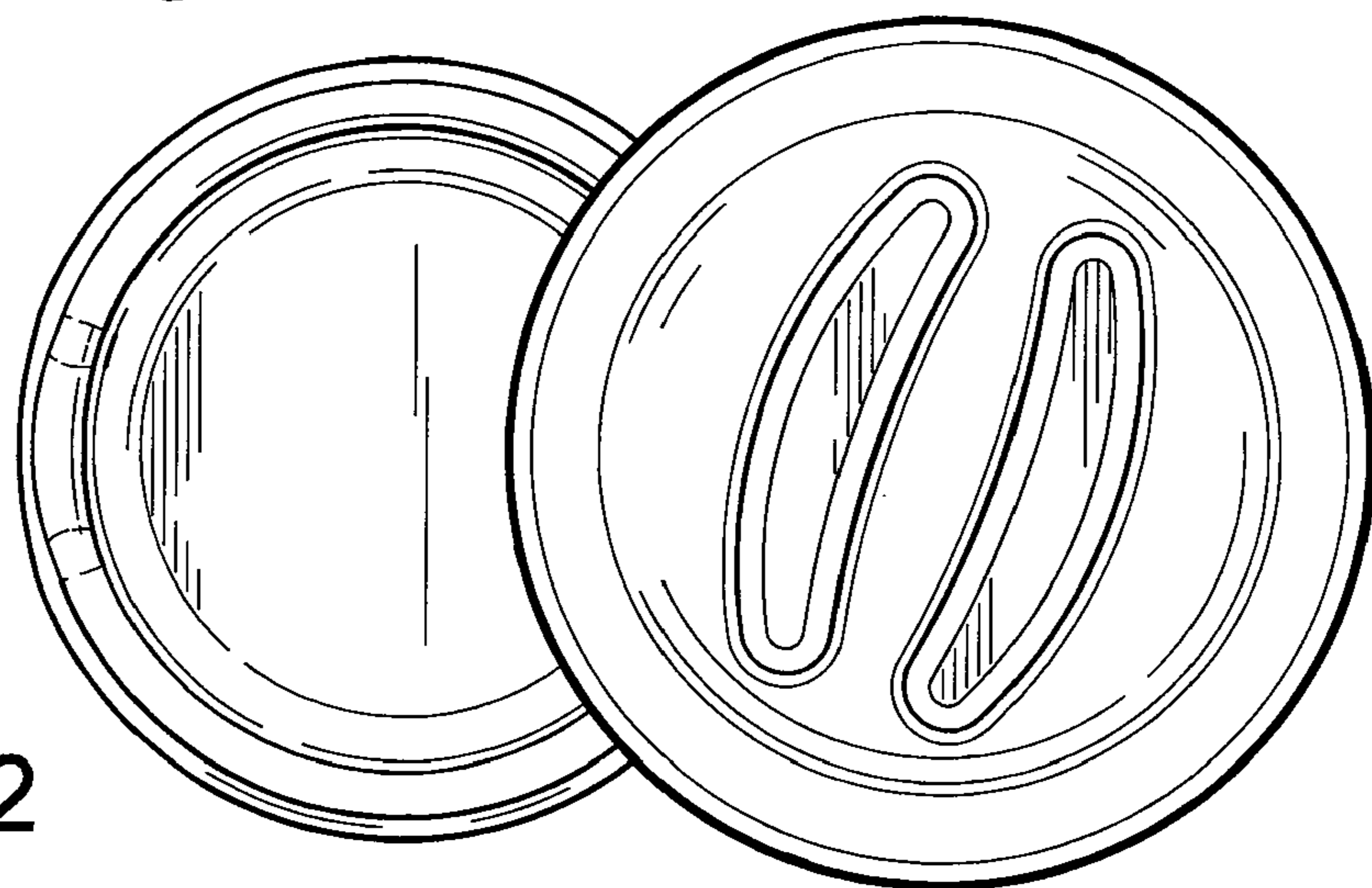


FIG. 2



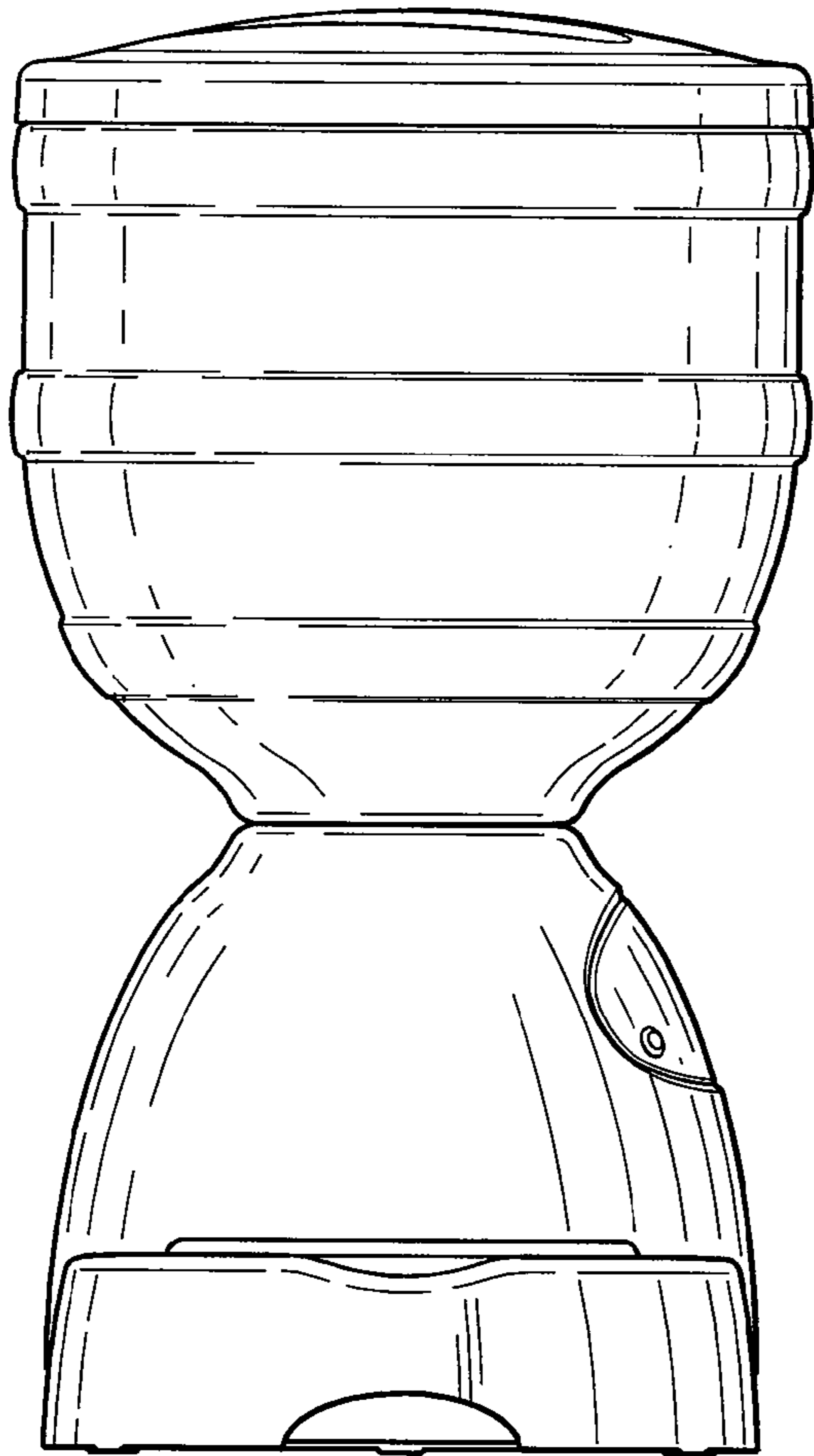


FIG. 3

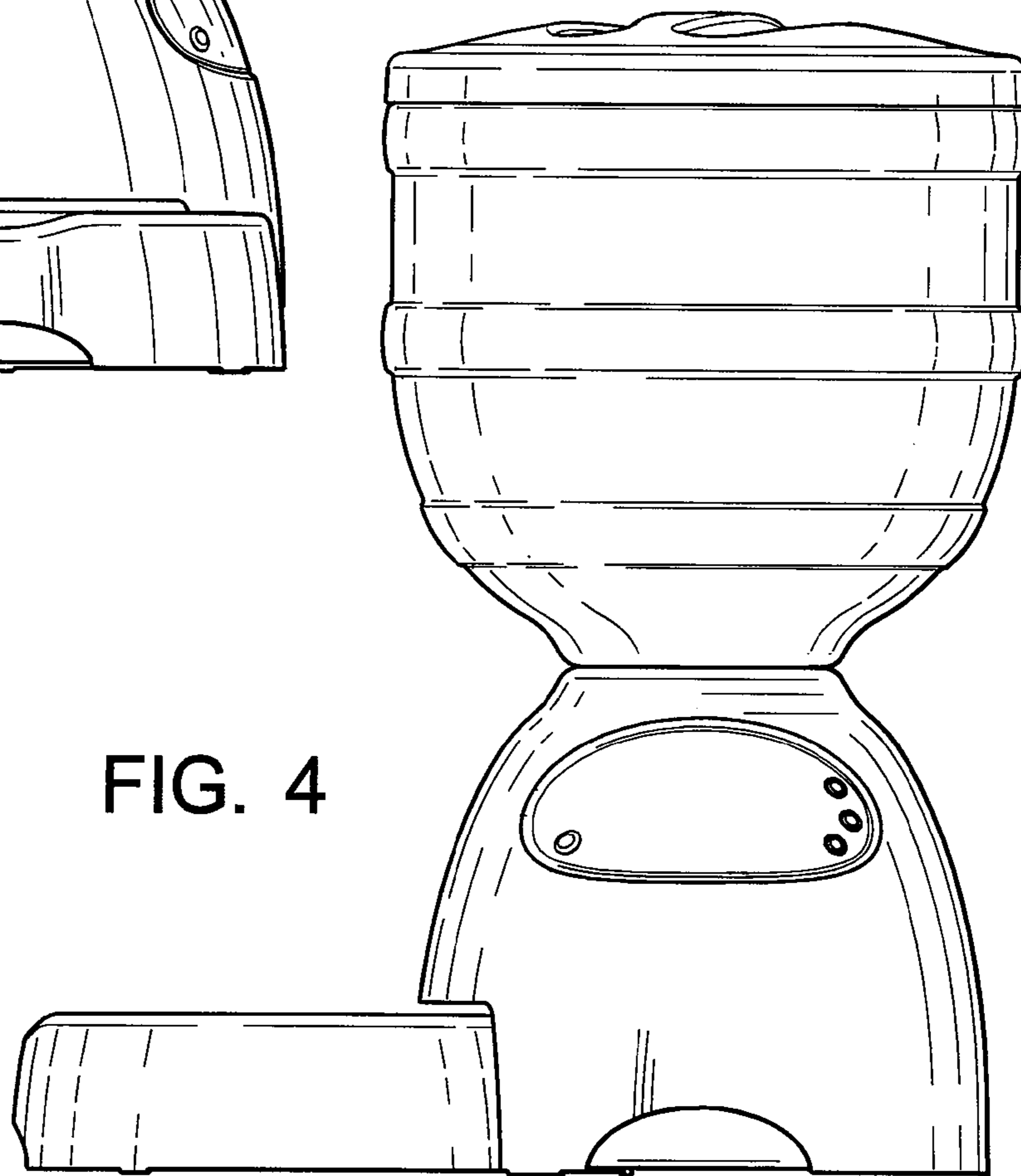


FIG. 4

FIG. 5

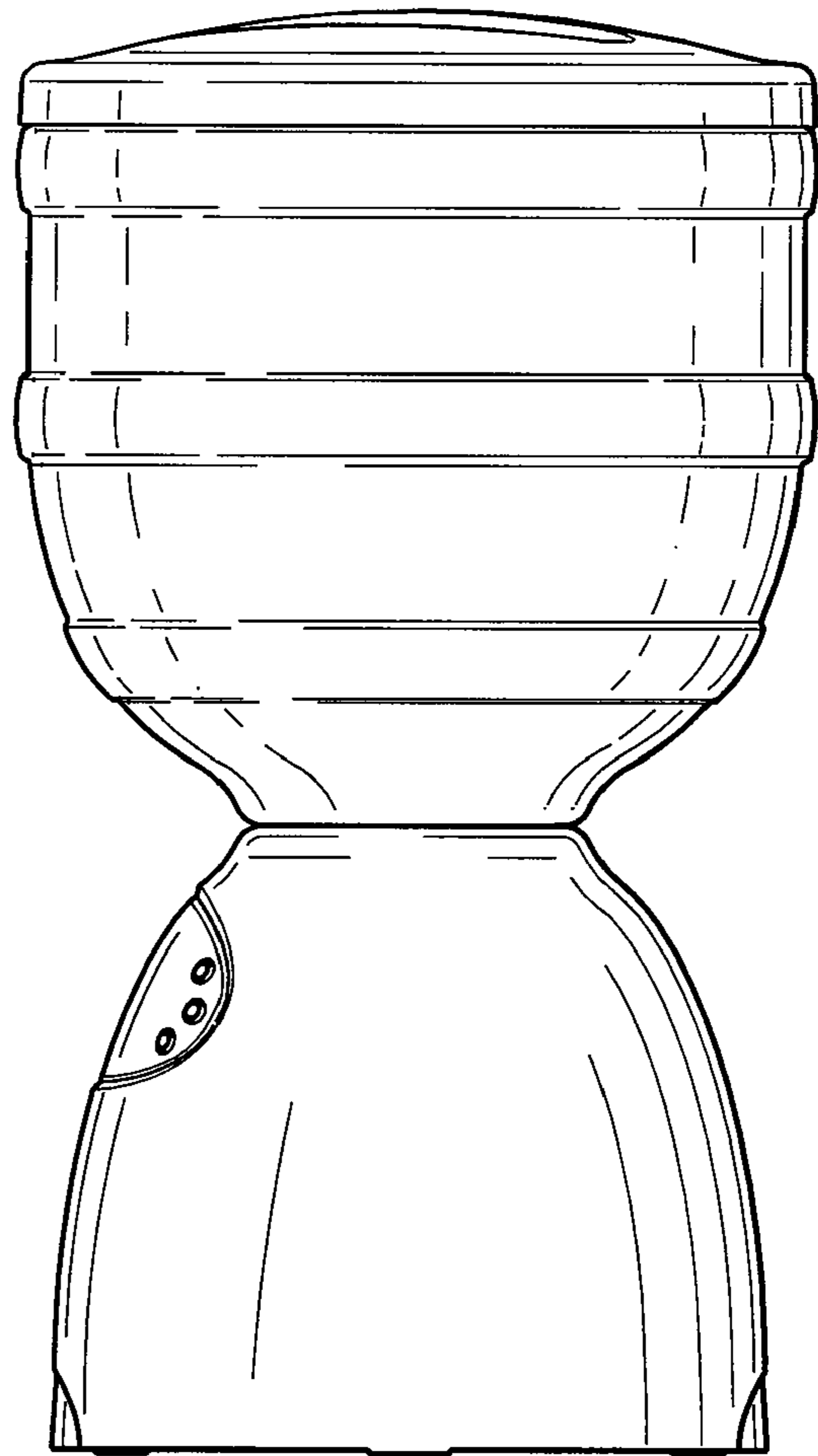


FIG. 6

