



US00D563599S

(12) **United States Design Patent**
Prat-Pfister

(10) **Patent No.:** **US D563,599 S**

(45) **Date of Patent:** **** Mar. 4, 2008**

(54) **SHAVING HEAD UNIT**

D544,999 S * 6/2007 Prat-Pfister et al. D28/50

D549,873 S * 8/2007 Prat-Pfister et al. D28/50

(75) Inventor: **Gael Prat-Pfister**, Amersfoort (NL)

(73) Assignee: **Koninklijke Philips Electronics N.V.**,
Eindhoven (NL)

* cited by examiner

(**) Term: **14 Years**

Primary Examiner—Jennifer Rivard

(21) Appl. No.: **29/284,593**

(57) **CLAIM**

(22) Filed: **Sep. 12, 2007**

The ornamental design for a shaving head unit, as shown.

(30) **Foreign Application Priority Data**

Mar. 20, 2007 (EM) 000691209

DESCRIPTION

(51) **LOC (8) Cl.** **28-03**

(52) **U.S. Cl.** **D28/50**

(58) **Field of Classification Search** D28/44-54;
30/30, 32, 34.05, 34.1, 34.2, 41-41.9, 44,
30/45, 47-51, 57, 58, 526, 527, 532, 533,
30/537-540, 346.5, 346.51-346.61, 43-43.92
See application file for complete search history.

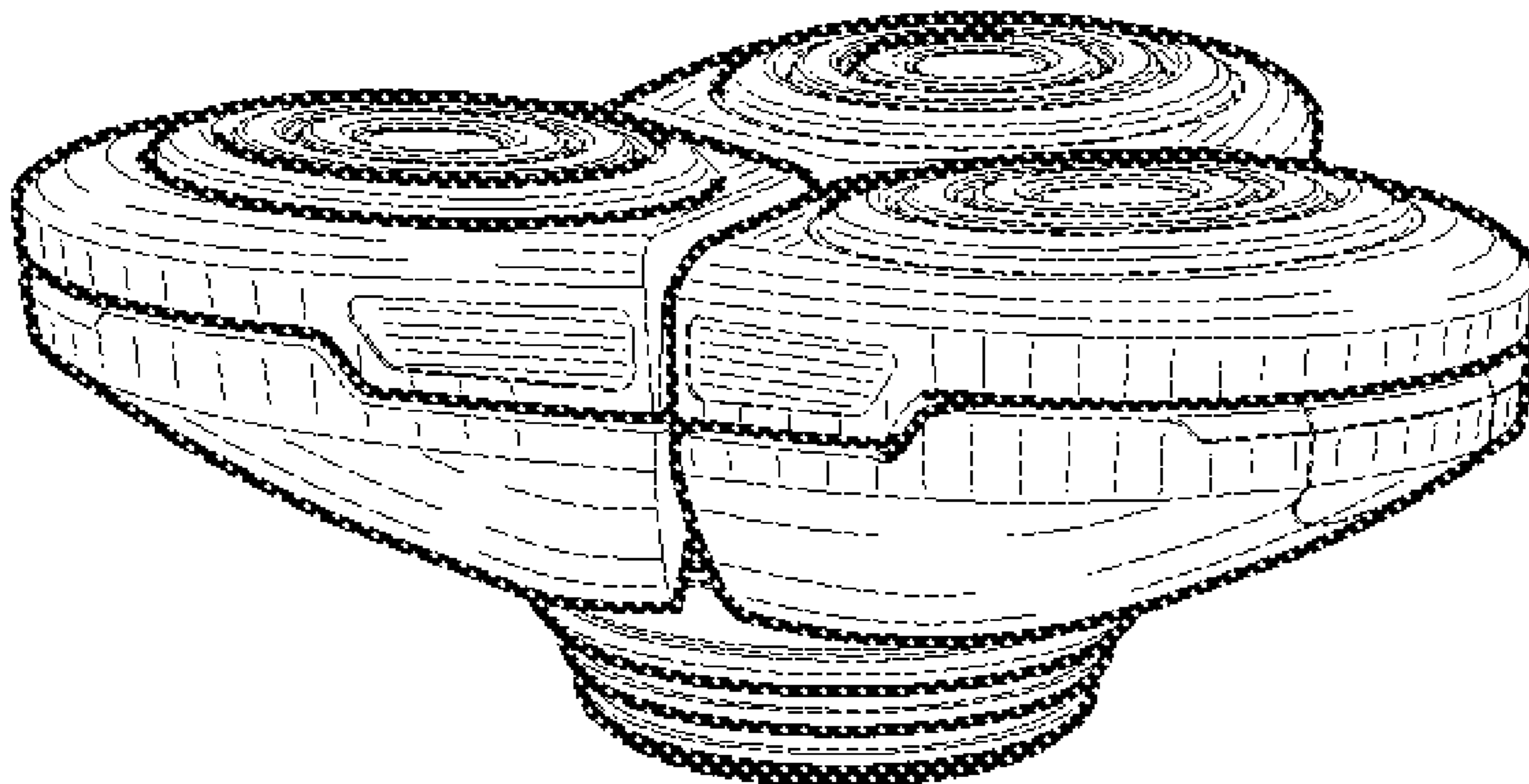
FIG. 1 is a perspective view showing my design;
FIG. 2 is a front elevational view thereof;
FIG. 3 is a rear elevational view thereof;
FIG. 4 is a right side elevational view thereof;
FIG. 5 is a left side elevational view thereof;
FIG. 6 is a top plan view thereof; and,
FIG. 7 is a bottom plan view thereof.

(56) **References Cited**

U.S. PATENT DOCUMENTS

D539,477 S * 3/2007 Dingelstad D28/50

1 Claim, 2 Drawing Sheets



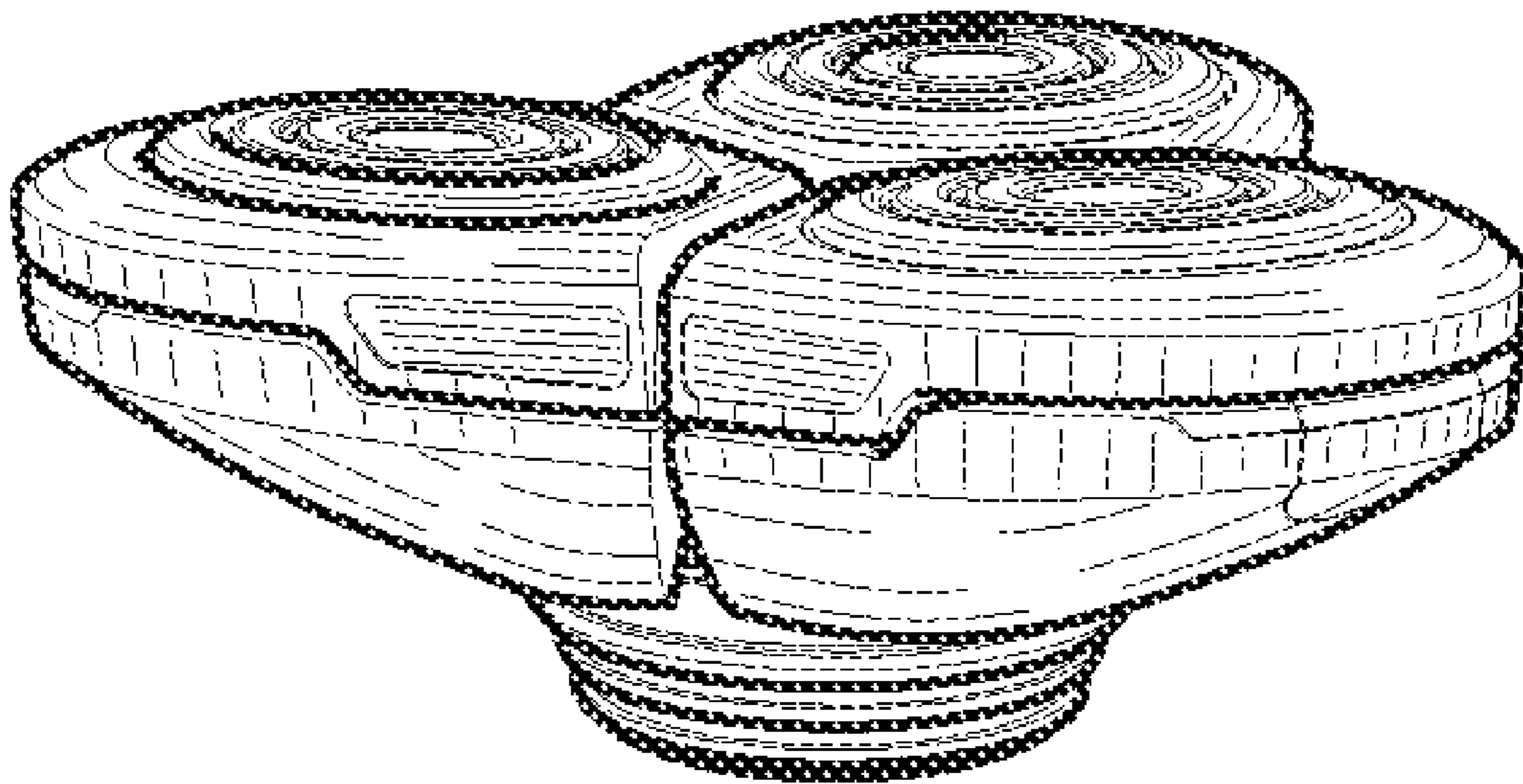


FIG. 1

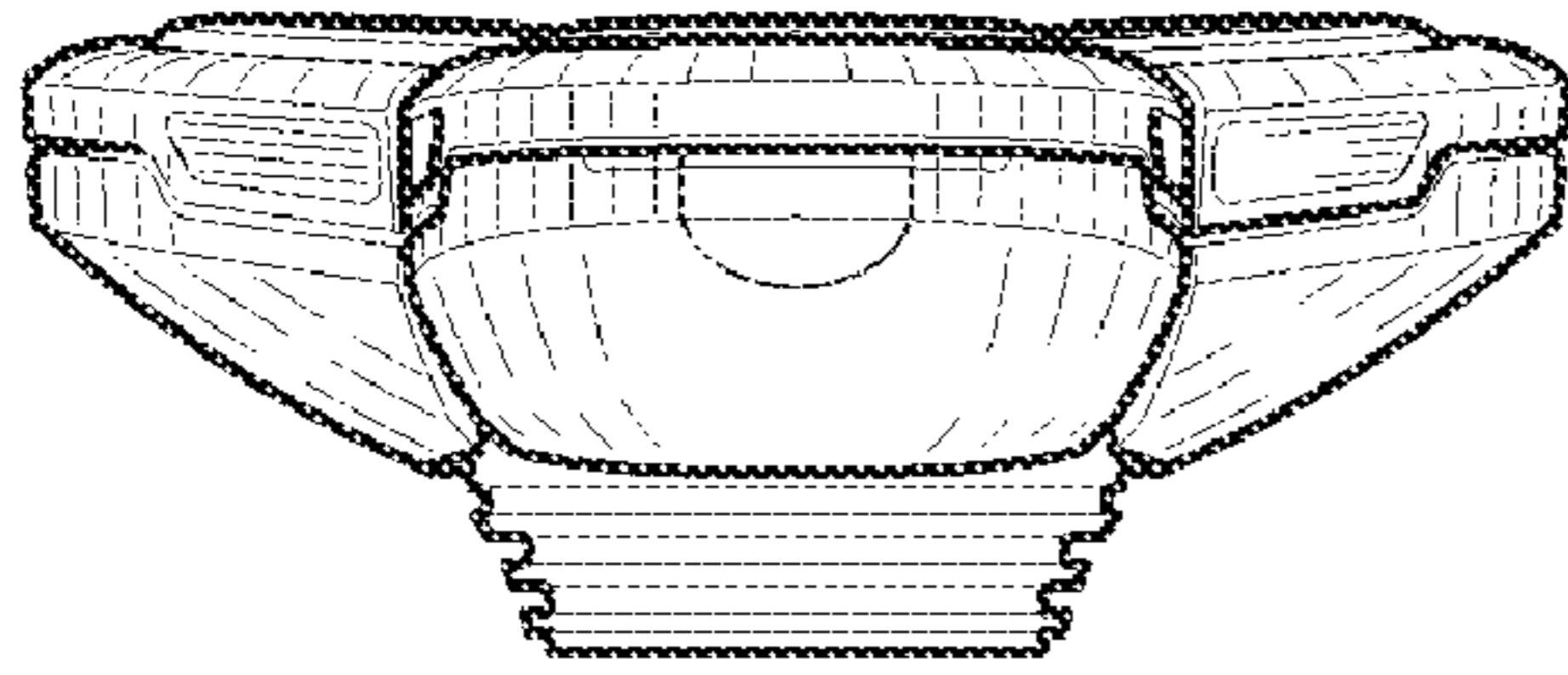


FIG. 2

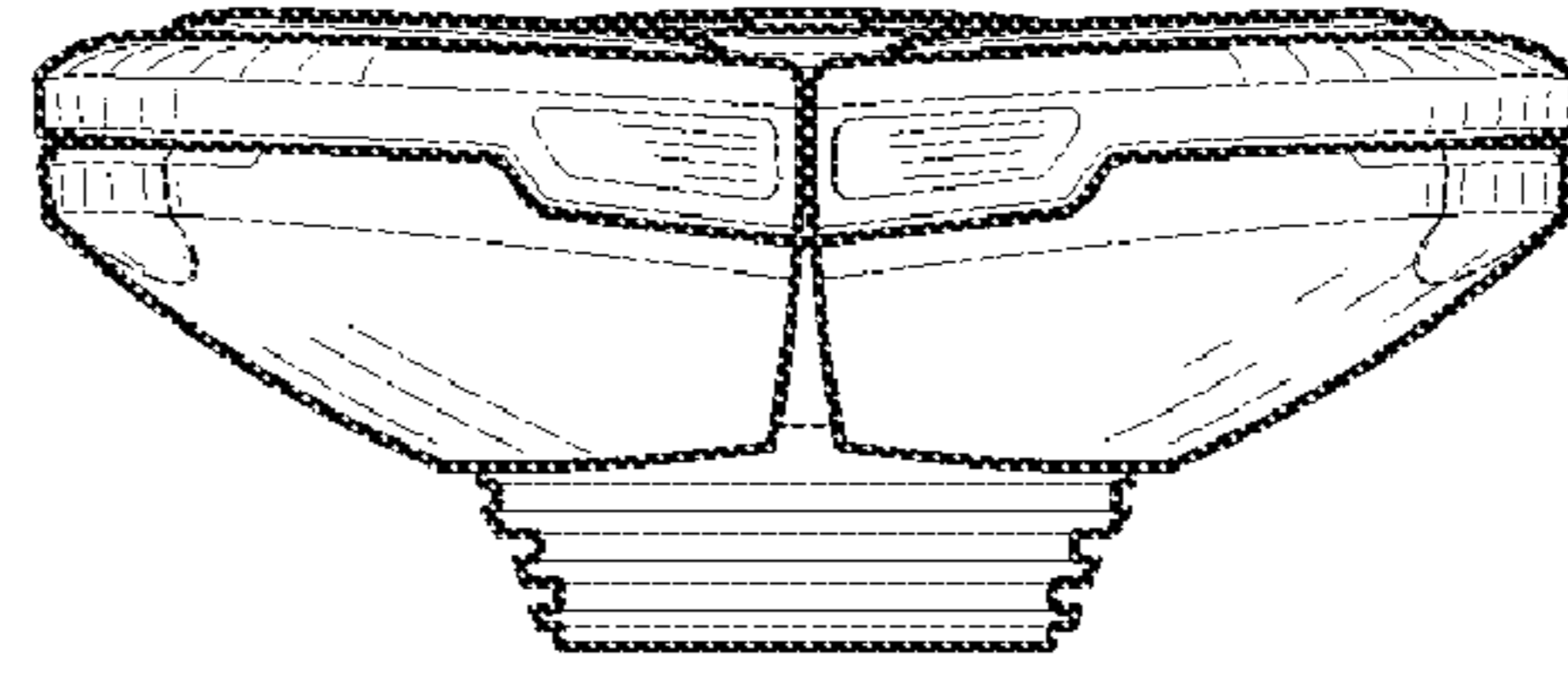


FIG. 3

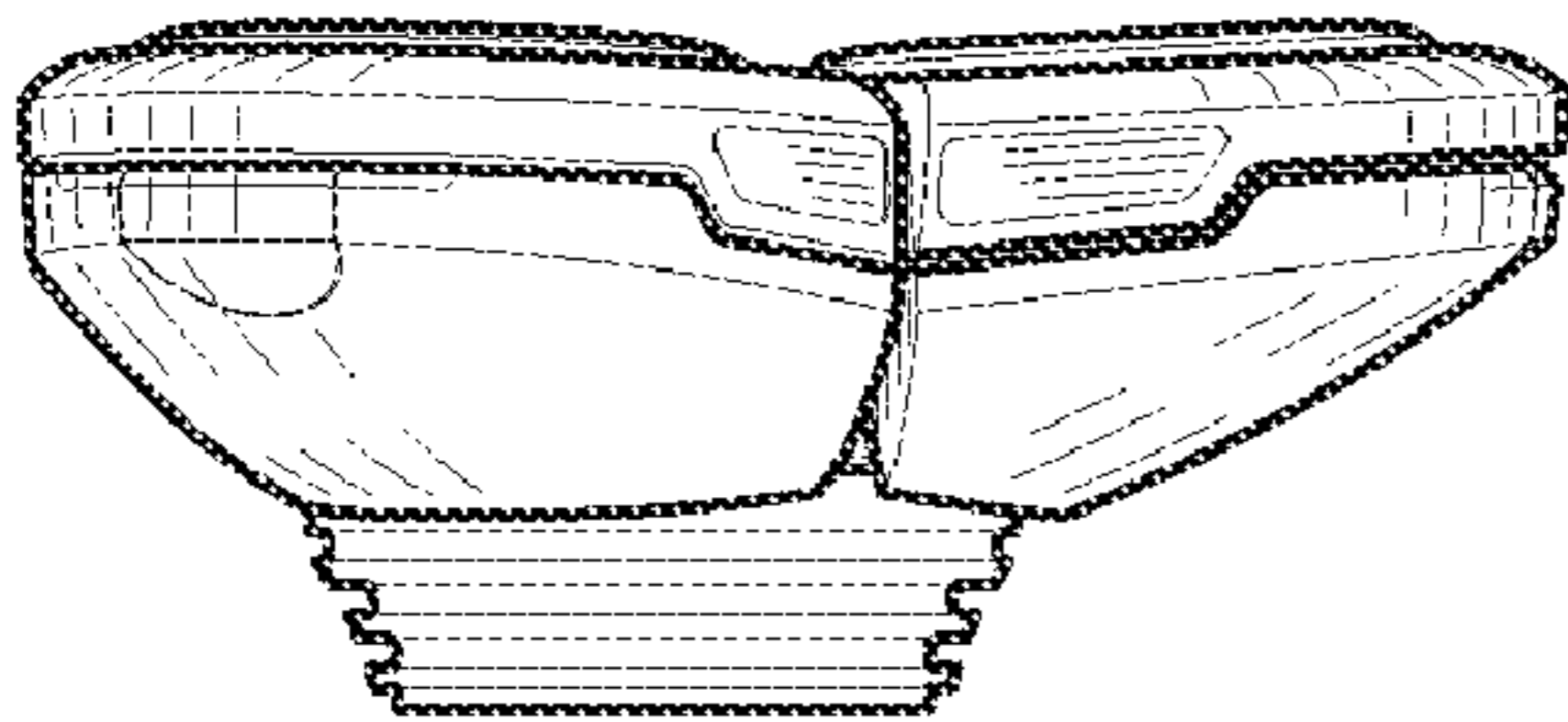


FIG. 4

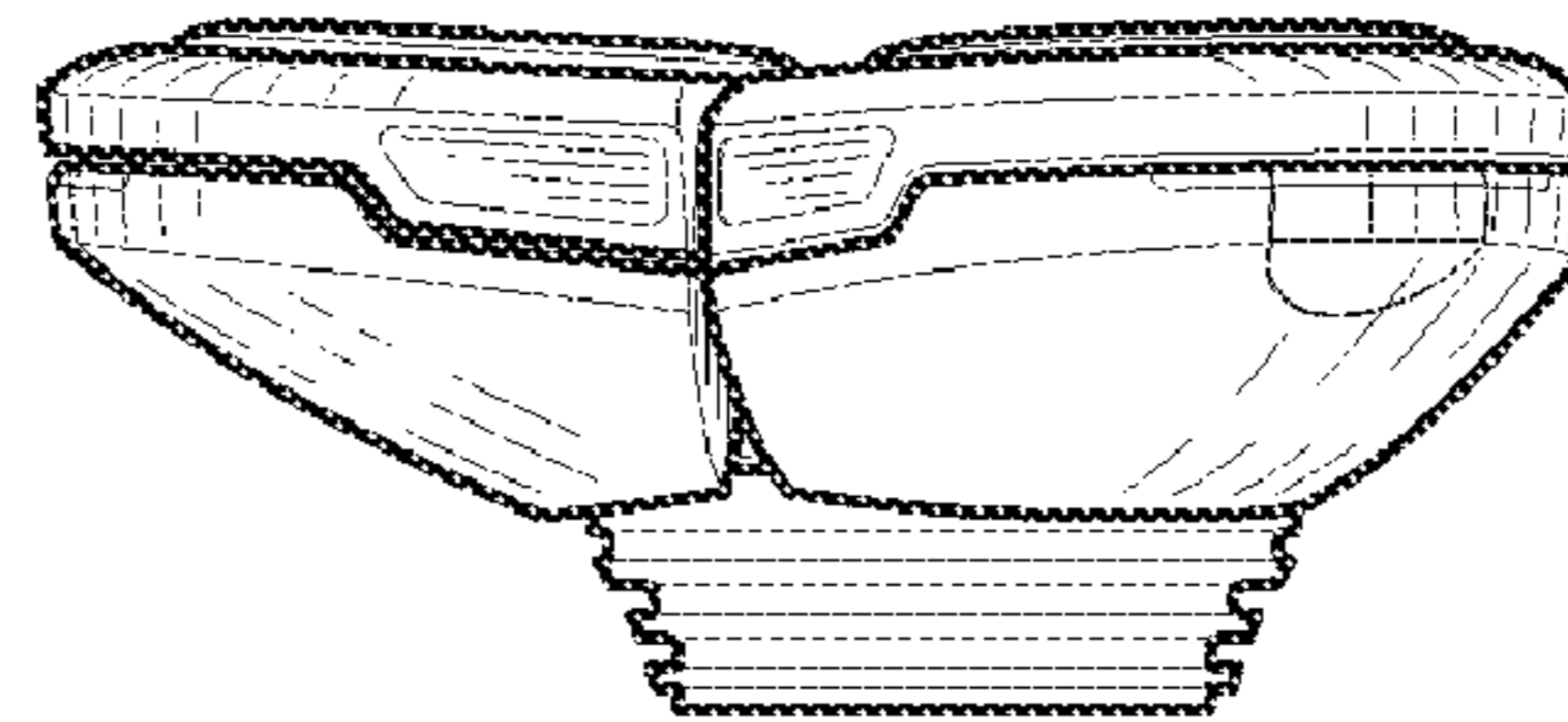


FIG. 5

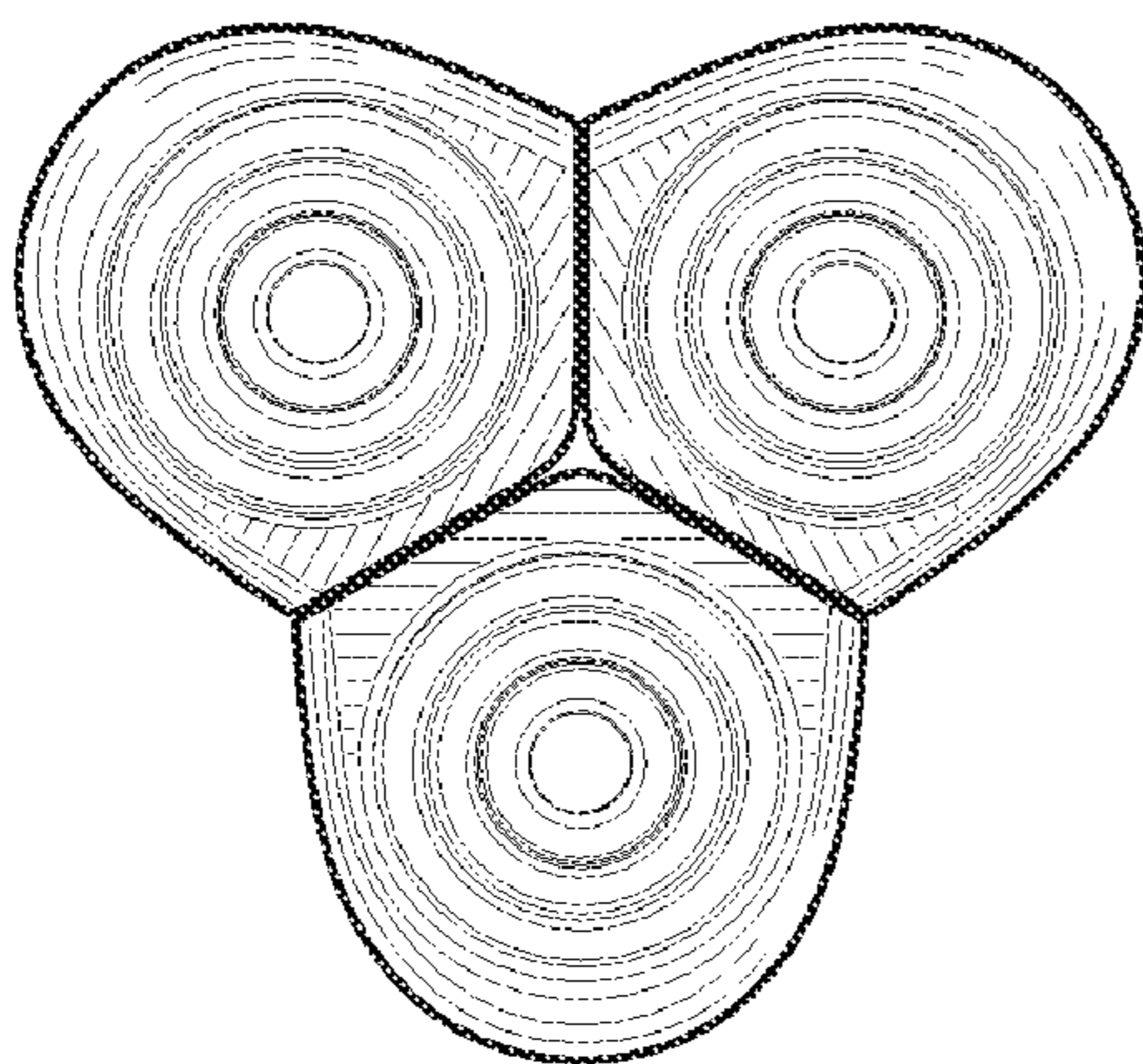


FIG. 6

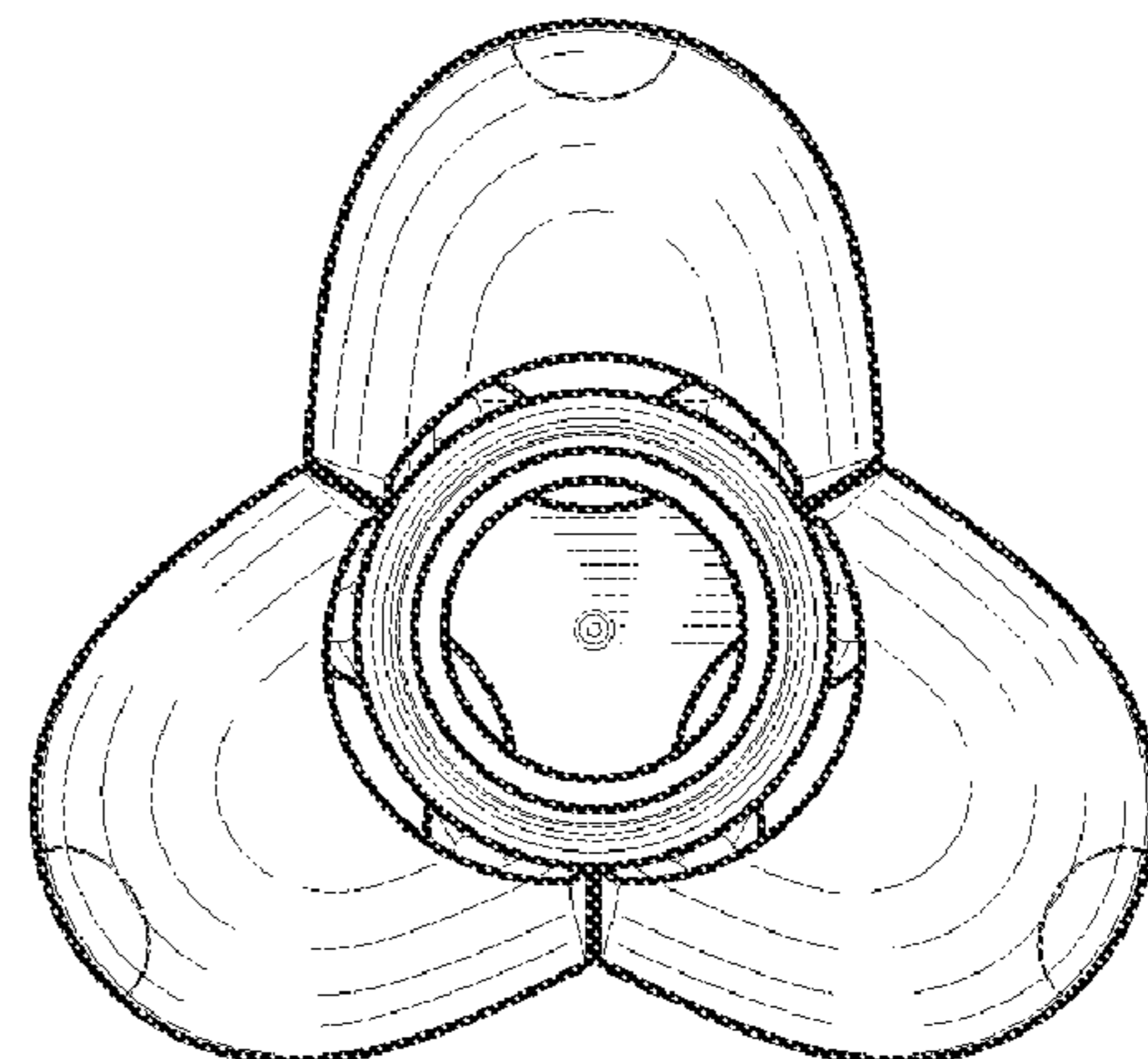


FIG. 7