



US00D563598S

(12) **United States Design Patent**
Wiedemann

(10) **Patent No.:** **US D563,598 S**
(45) **Date of Patent:** **** *Mar. 4, 2008**

(54) **TABLET**

(75) Inventor: **Ralf Wiedemann**, Ludwigshafen (DE)

(73) Assignee: **Reckitt Benckiser N.V.**, WT Hoofddorp (NL)

(*) Notice: This patent is subject to a terminal disclaimer.

(**) Term: **14 Years**

(21) Appl. No.: **29/230,718**

(22) Filed: **May 25, 2005**

(30) **Foreign Application Priority Data**

Nov. 30, 2004 (EM) 000260732

(51) **LOC (8) Cl.** **28-02**

(52) **U.S. Cl.** **D28/8.1**

(58) **Field of Classification Search** 510/440-442,
510/445-450, 221, 224, 225, 141, 143, 147,
510/294, 439; D24/101-103; D28/4, 8.1,
D28/8.2

See application file for complete search history.

(56) **References Cited**

U.S. PATENT DOCUMENTS

- D269,715 S 7/1983 Tovey
- D442,739 S * 5/2001 Friesenhahn D28/8.1
- D452,933 S 1/2002 Friesenhahn
- D474,857 S 5/2003 McLeish
- D485,643 S 1/2004 McLeish
- D486,733 S * 2/2004 Murning et al. D9/432
- D490,184 S 5/2004 McLeish

- D505,516 S * 5/2005 McLeish D28/8.1
- D524,478 S * 7/2006 McLeish D28/8.1
- D524,479 S * 7/2006 Bourgoin et al. D28/8.1
- 2003/0040453 A1 * 2/2003 Hinton 510/439
- 2003/0119707 A1 * 6/2003 Kosub et al. 510/446

FOREIGN PATENT DOCUMENTS

- EM 000071725-0002 * 12/2003
- EM 000156344-0001 * 6/2004
- GB 2080056 7/1999
- GB 2081153 9/1999
- GB 2106950 * 6/2001
- GB 2104031 * 8/2001
- GB 3003616 * 5/2002

* cited by examiner

Primary Examiner—Jennifer Rivard

(57) **CLAIM**

The ornamental design for a tablet, as shown and described.

DESCRIPTION

The patent or application file contains at least one drawing executed in color. Copies of this patent or patent application publication with color drawing(s) will be provided by the Office upon request and payment of the necessary fee.

FIG. 1 is a perspective view taken from the top of a tablet;

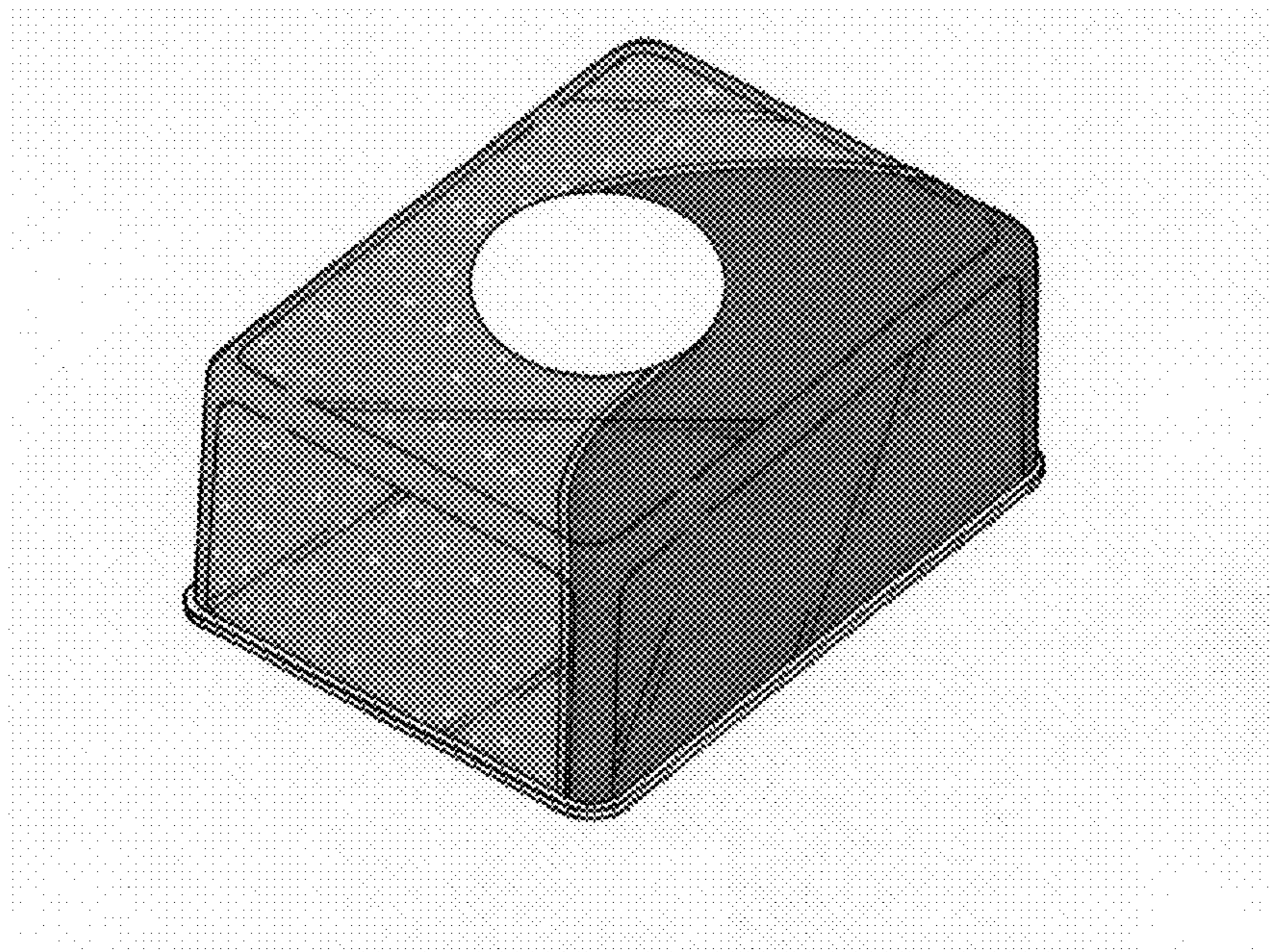
FIG. 2 is a plan view of the bottom thereof;

FIG. 3 is a plan view of the top thereof;

FIG. 4 is an elevation view of a side thereof; and,

FIG. 5 is an elevation view of the front thereof.

1 Claim, 1 Drawing Sheet
(1 of 1 Drawing Sheet(s) Filed in Color)



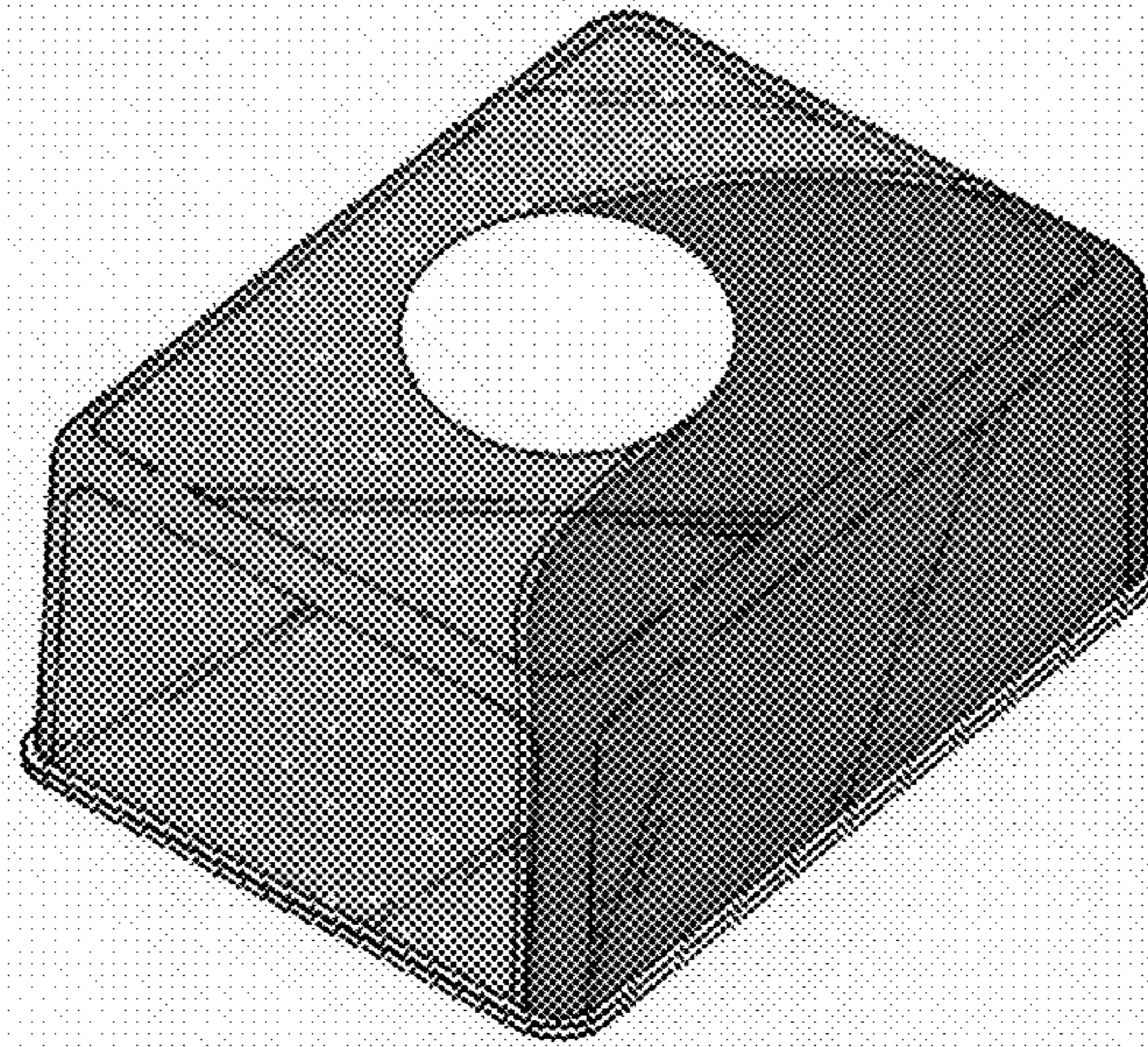


Fig. 1.

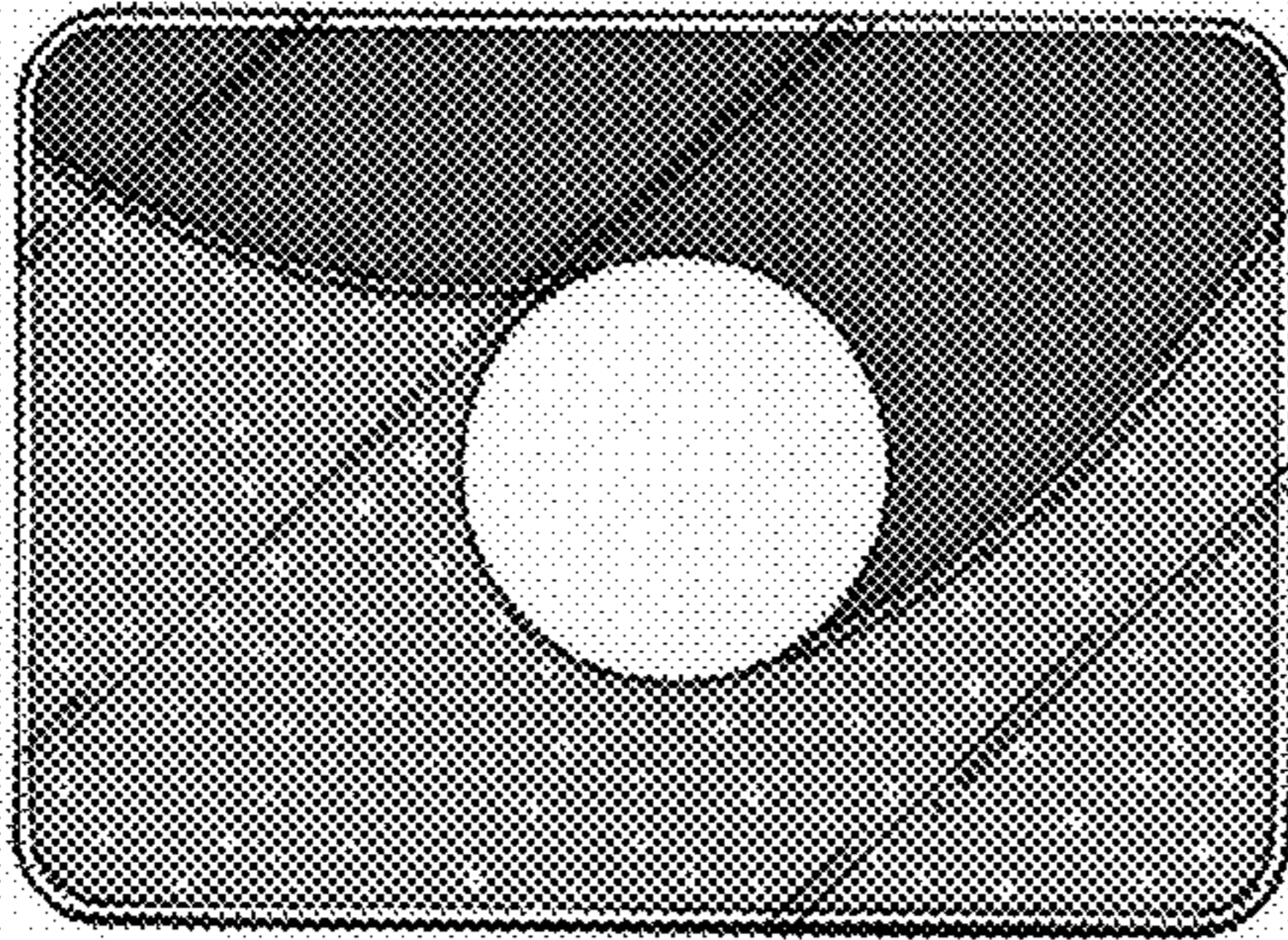


Fig. 2.

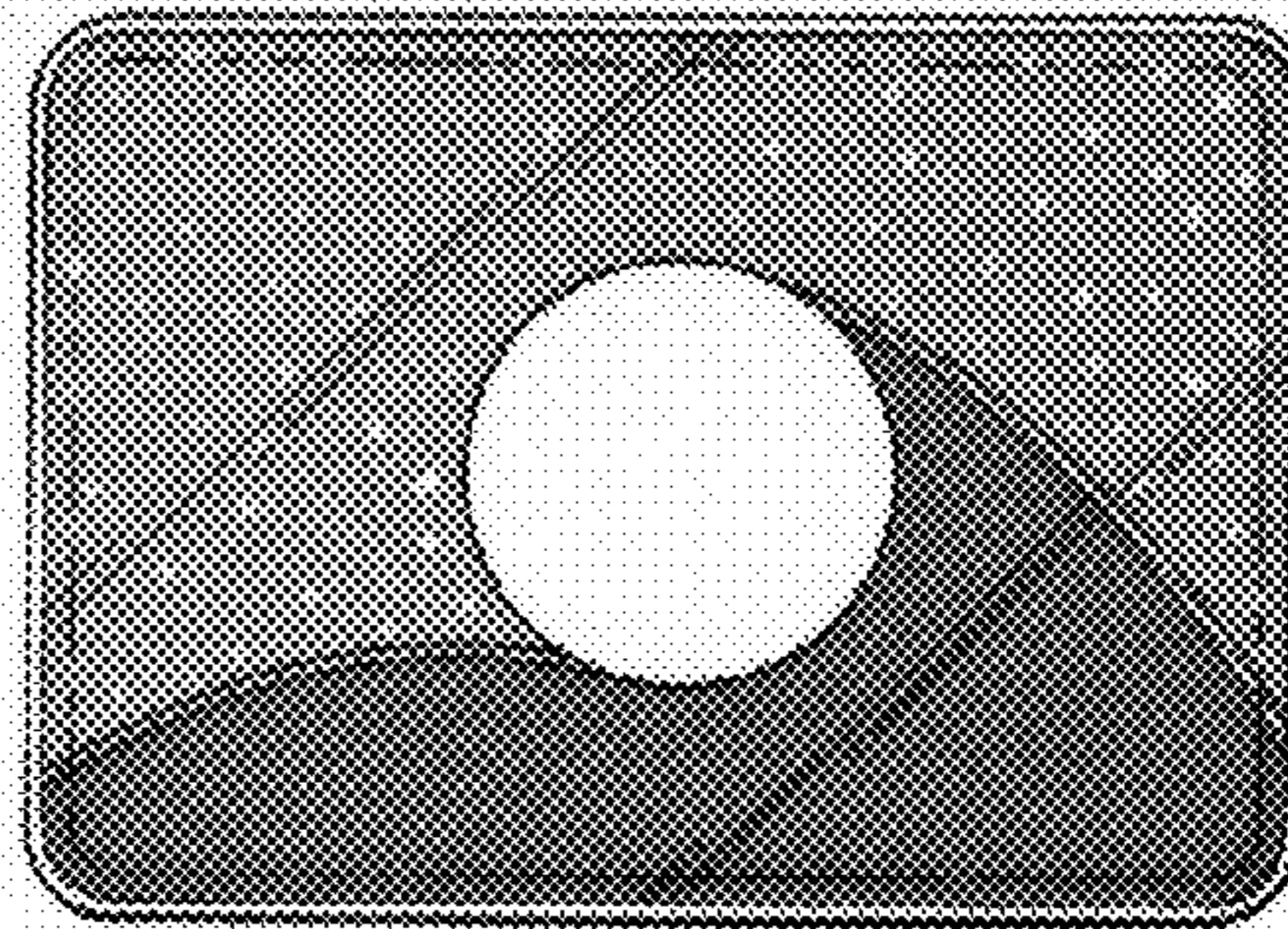


Fig. 3.

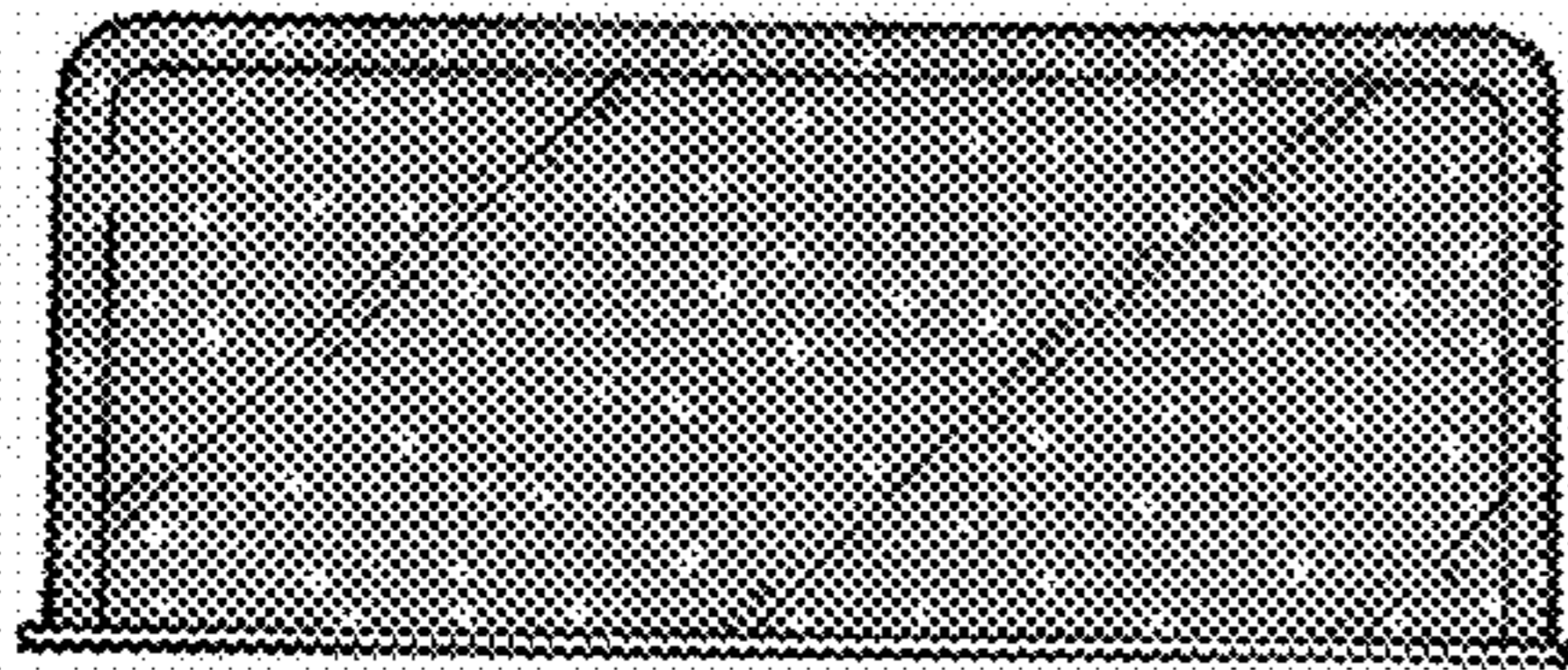


Fig. 4.

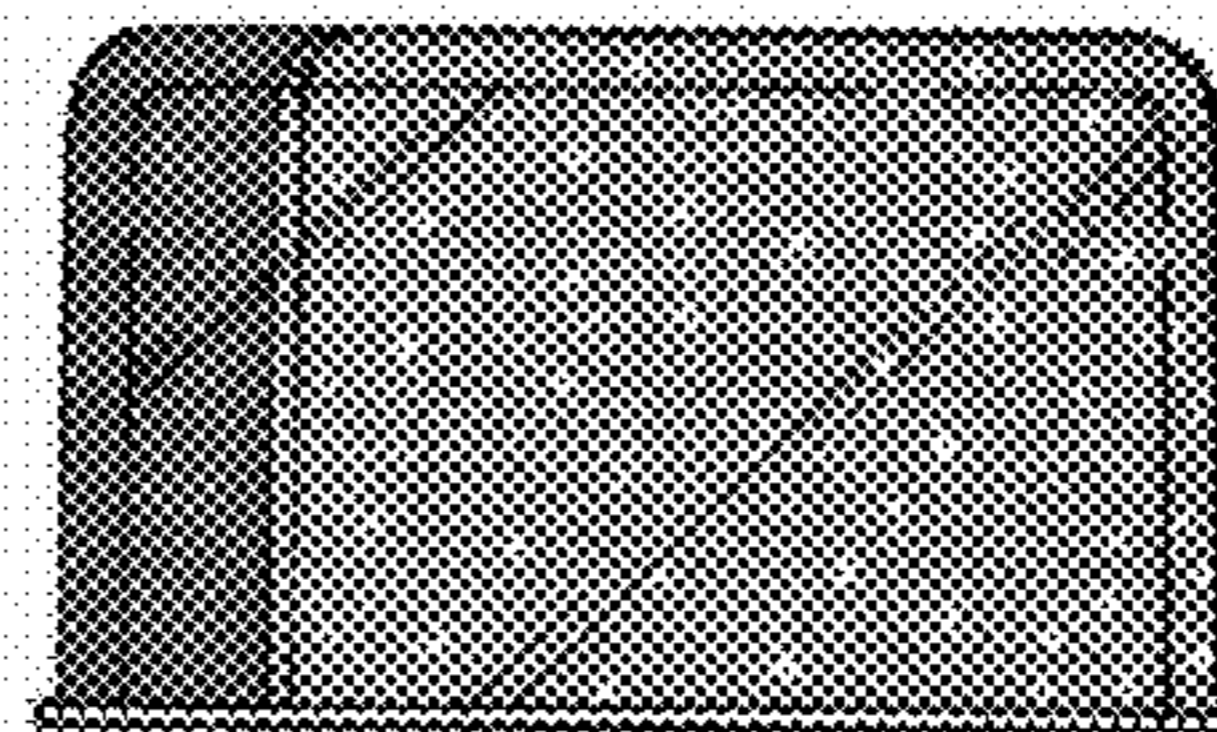


Fig. 5.