

US00D563590S

(12) **United States Design Patent**
Hetfield et al.

(10) **Patent No.:** **US D563,590 S**
(45) **Date of Patent:** **** Mar. 4, 2008**

(54) **LUMINAIRE**

(75) Inventors: **Margaret L. Hetfield**, Bristol, RI (US);
James Neeld, Tiverton, RI (US); **Paul Shapiro**,
Riverside, RI (US); **Richard Meyer**, Providence, RI (US)

(73) Assignee: **Genlyte Thomas Group, LLC**,
Louisville, KY (US)

(**) Term: **14 Years**

(21) Appl. No.: **29/276,240**

(22) Filed: **Jan. 19, 2007**

(51) **LOC (8) Cl.** **26-03**

(52) **U.S. Cl.** **D26/88; D26/72**

(58) **Field of Classification Search** D26/22-24,
D26/28, 56, 67-68, 72, 74-78, 80-81, 87-88,
D26/118, 123, 124, 131; 362/145, 147, 153,
362/157, 217-225, 257, 260, 267, 294, 269,
362/283, 317, 345, 347, 365, 368, 373, 408,
362/457, 614, 805-807; D23/356; D30/199;
D11/145, 155, 164; D7/515

See application file for complete search history.

(56) **References Cited**

U.S. PATENT DOCUMENTS

- 274,959 A * 4/1883 Murdock 362/363
- D30,367 S * 3/1899 Herskovitz D26/131
- 1,370,255 A 3/1921 Zimmermann, Jr.
- 1,413,315 A 4/1922 Correll
- 1,429,762 A 9/1922 Oliver
- 1,568,942 A 1/1926 Haley
- 1,590,130 A 6/1926 Sturgeon, Jr.
- D78,523 S * 5/1929 Krause D26/131
- 1,770,726 A 7/1930 Bauersfeld
- RE17,825 E 10/1930 Linton et al.
- 1,821,955 A 9/1931 Wuelker
- 2,089,610 A 8/1937 Kloos
- D113,125 S 1/1939 Stewart
- 2,143,673 A 1/1939 Baumgartner
- D119,854 S * 4/1940 Gross D26/24
- 2,202,266 A 5/1940 Phillips

- 2,242,590 A 5/1941 Moreau
- D130,059 S 10/1941 Herr
- D146,244 S * 1/1947 Beard D26/75
- D154,053 S * 6/1949 McCann D26/76
- D163,762 S 6/1951 McCann
- 2,595,520 A 5/1952 Guerin
- 2,618,676 A 11/1952 Howard
- 3,679,893 A 7/1972 Shemitz et al.
- 3,701,898 A 10/1972 McNamara, Jr.
- 3,902,059 A 8/1975 McNamara, Jr.
- 4,128,333 A 12/1978 Levin et al.
- 4,153,929 A 5/1979 Laudenschlager et al.
- 4,344,112 A * 8/1982 Brown 362/96

(Continued)

Primary Examiner—Carol Rademaker

Assistant Examiner—Susan E Krakower

(74) *Attorney, Agent, or Firm*—John F. Salazar; Middleton Reutlinger

(57) **CLAIM**

The ornamental design for a luminaire, as shown and described.

DESCRIPTION

FIG. 1 is a top, front and right side perspective view of the luminaire of the present invention;

FIG. 2 is a left side view thereof;

FIG. 3 is a front view thereof;

FIG. 4 is a right side view thereof;

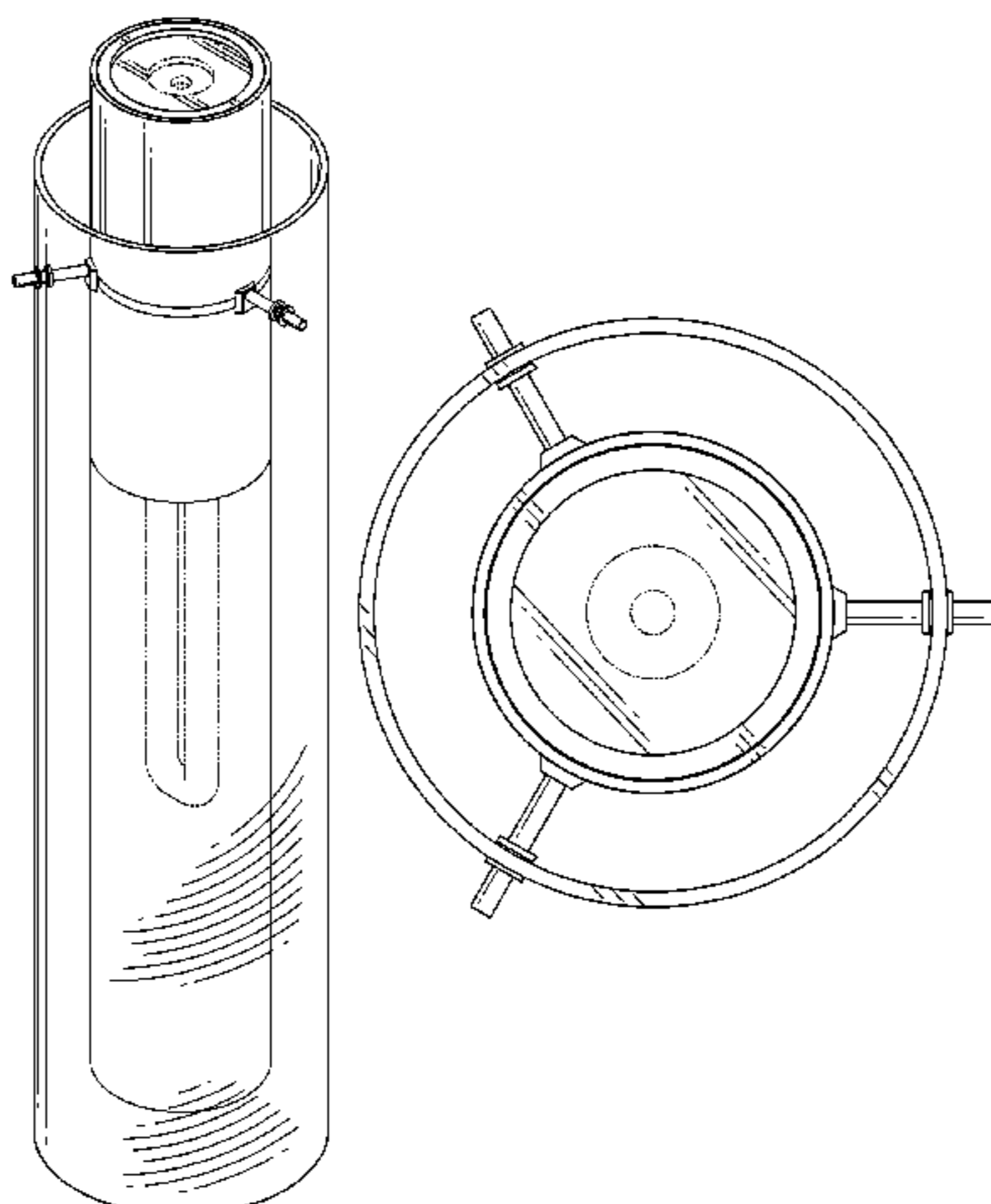
FIG. 5 is a rear view thereof;

FIG. 6 is a top view thereof, shown at an enlarged scale from FIG. 1; and,

FIG. 7 is a bottom view thereof, shown at an enlarged scale from FIG. 1.

The broken lines showing environmental structure are for illustrative purposes only and form no part of the claimed design.

1 Claim, 7 Drawing Sheets



US D563,590 S

Page 2

U.S. PATENT DOCUMENTS

D280,346 S	8/1985	Aspenwall		D437,437 S	2/2001	Donato	
D286,206 S	10/1986	Joosten et al.		D437,953 S	2/2001	Donato	
D295,329 S	4/1988	Roos et al.		D438,326 S	2/2001	Kan	
D332,502 S	1/1993	Roos		D438,327 S *	2/2001	Chelf et al.	D26/80
D338,519 S *	8/1993	Peterson	D23/356	D440,343 S	4/2001	Littman	
D349,173 S	7/1994	Fellinger		D443,940 S	6/2001	Donato	
D356,382 S	3/1995	Jaksich		D443,945 S	6/2001	Littman	
D359,574 S	6/1995	Bornhorst et al.		D444,251 S	6/2001	Donato	
D360,959 S	8/1995	Donato et al.		D445,936 S	7/2001	Mier-Langner et al.	
D370,069 S	5/1996	Mier-Langner et al.		D445,943 S	7/2001	Littman	
D370,075 S	5/1996	Mier-Langner et al.		D446,874 S	8/2001	Demshki	
D371,861 S	7/1996	Stamm		D447,260 S	8/2001	Demshki	
D380,847 S	7/1997	Mier-Langner et al.		D449,397 S	10/2001	Demshki	
D385,372 S	10/1997	Mier-Langner et al.		D450,405 S	11/2001	Demshki	
D389,260 S	1/1998	Mier-Langner et al.		D455,518 S	4/2002	Littman	
D394,723 S	5/1998	Mier-Langner et al.		D457,679 S	5/2002	Littman	
5,765,939 A	6/1998	Tanner, Jr.		D457,977 S	5/2002	Mier-Langner et al.	
D399,330 S *	10/1998	Geier et al.	D26/88	6,382,817 B1	5/2002	Chelf	
D400,287 S *	10/1998	Littman et al.	D26/88	D459,014 S	6/2002	Chen	
D402,964 S	12/1998	Kuchar et al.		D459,514 S	6/2002	Mier-Langner et al.	
D403,097 S *	12/1998	Littman	D26/87	D460,835 S	7/2002	Chen	
D413,176 S	8/1999	Mier-Langner		D461,019 S	7/2002	Donato	
D413,998 S *	9/1999	Littman	D26/87	D463,879 S	10/2002	Mier-Langner et al.	
D417,300 S	11/1999	Stacy et al.		D472,337 S	3/2003	Bernhart et al.	
5,988,829 A	11/1999	Holder		D474,304 S	5/2003	Mier-Langner et al.	
D430,326 S	8/2000	Littman		D475,157 S	5/2003	Mier-Langner et al.	
D431,084 S *	9/2000	Bartkus et al.	D26/24	D476,441 S	6/2003	Mier-Langner et al.	
D433,178 S	10/2000	Donato		D505,221 S	5/2005	Hetfield	
6,135,613 A	10/2000	Bodell et al.		D509,616 S	9/2005	Hetfield	
D433,763 S	11/2000	Donato		D511,222 S	11/2005	Hetfield	
D436,211 S	1/2001	Neeld et al.		D532,147 S *	11/2006	Crosby	D26/118
D436,678 S	1/2001	Mier-Langner et al.		D513,439 S	1/2007	Hetfield	

* cited by examiner

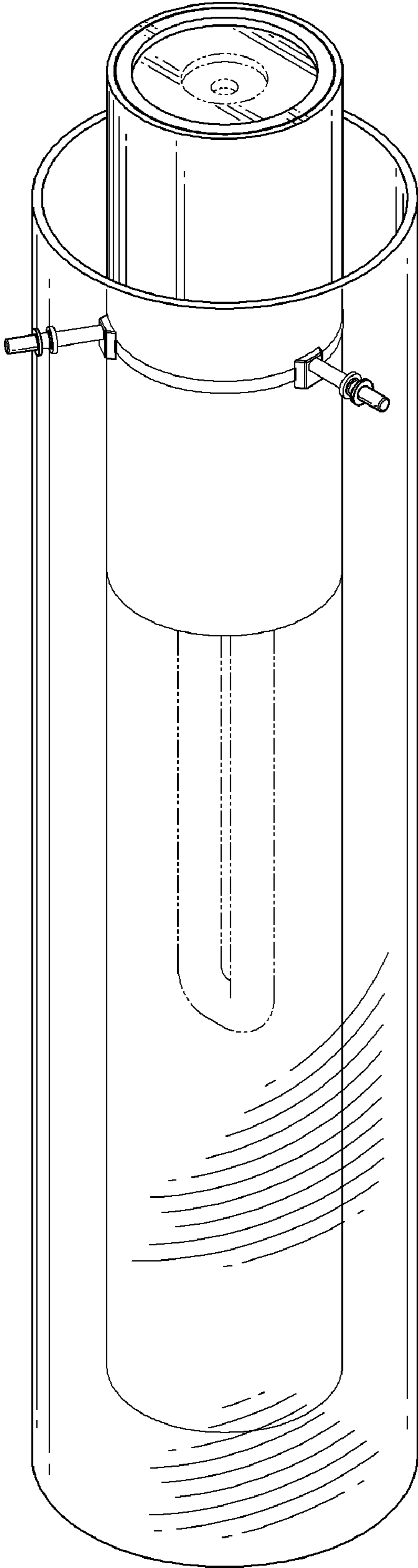


FIG. 1

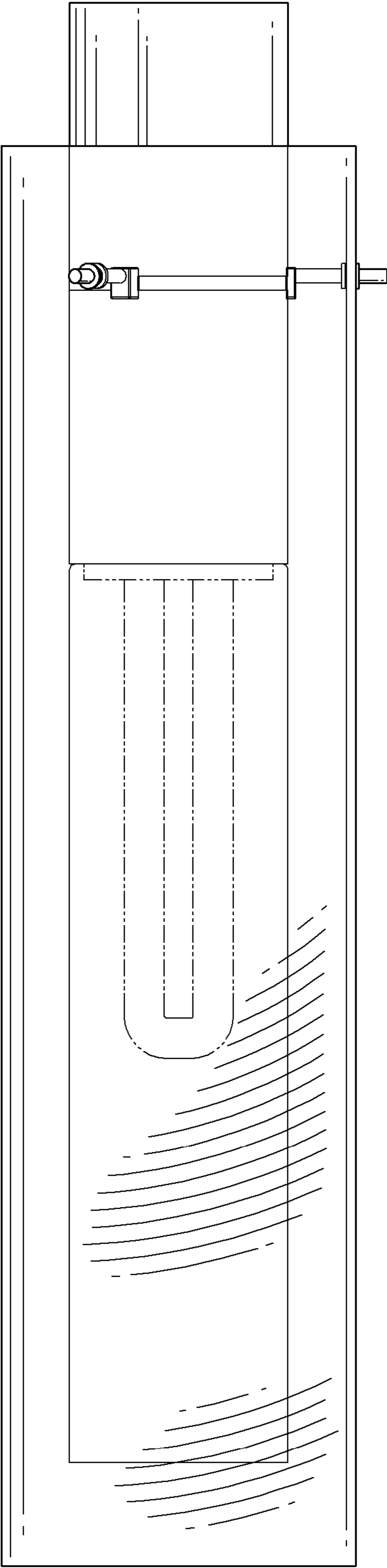


FIG. 2

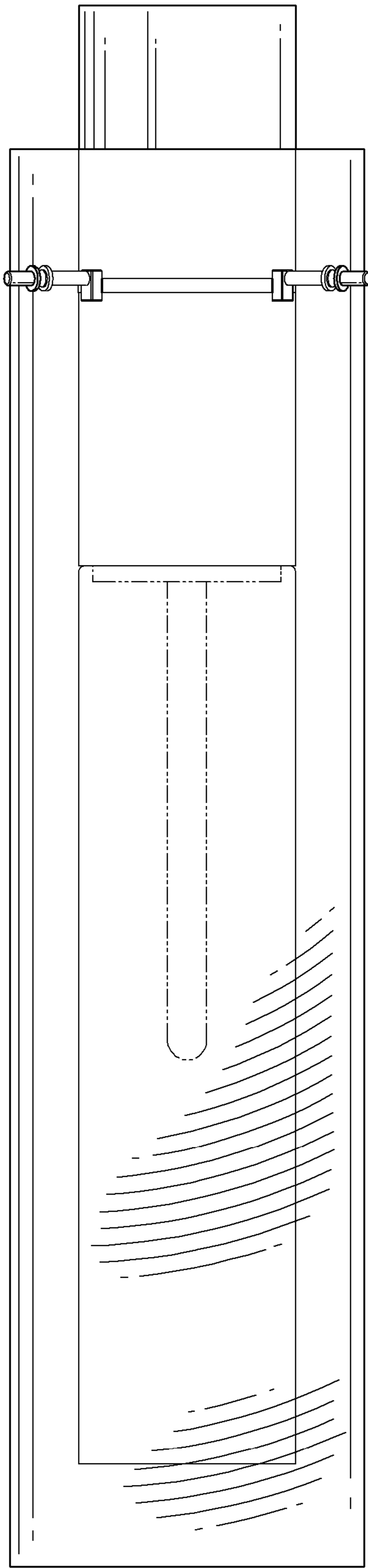


FIG. 3

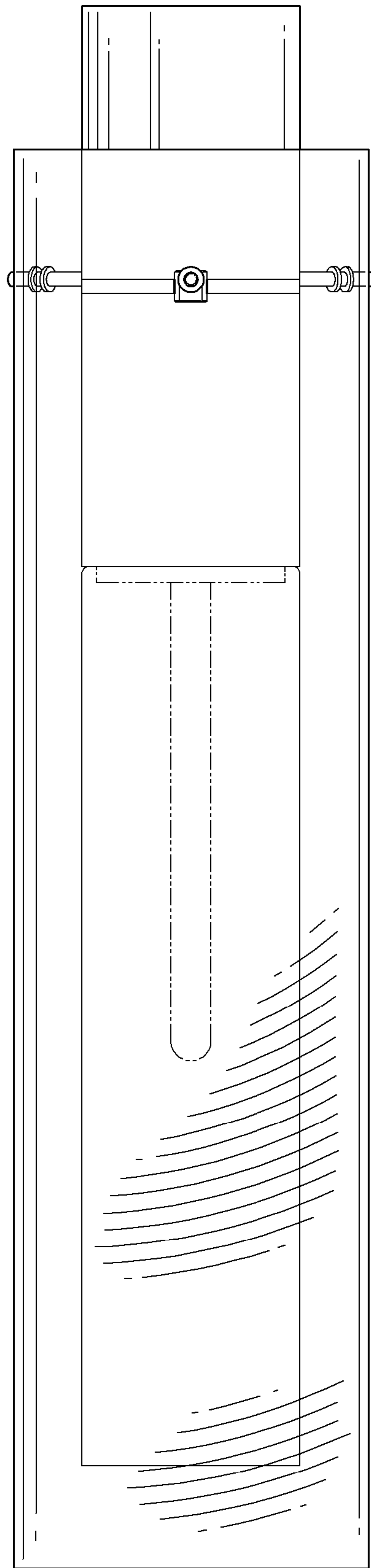


FIG. 4

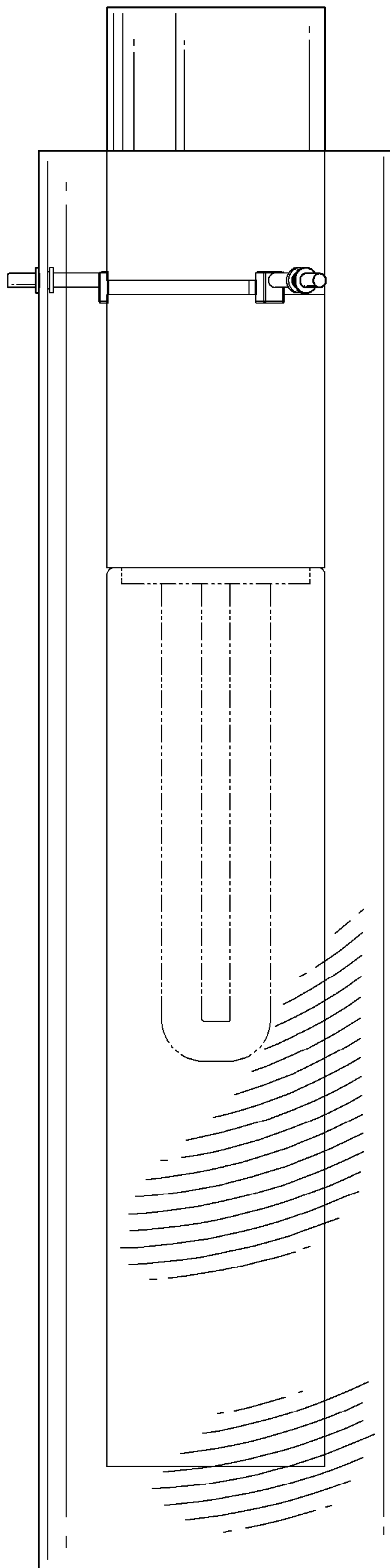


FIG. 5

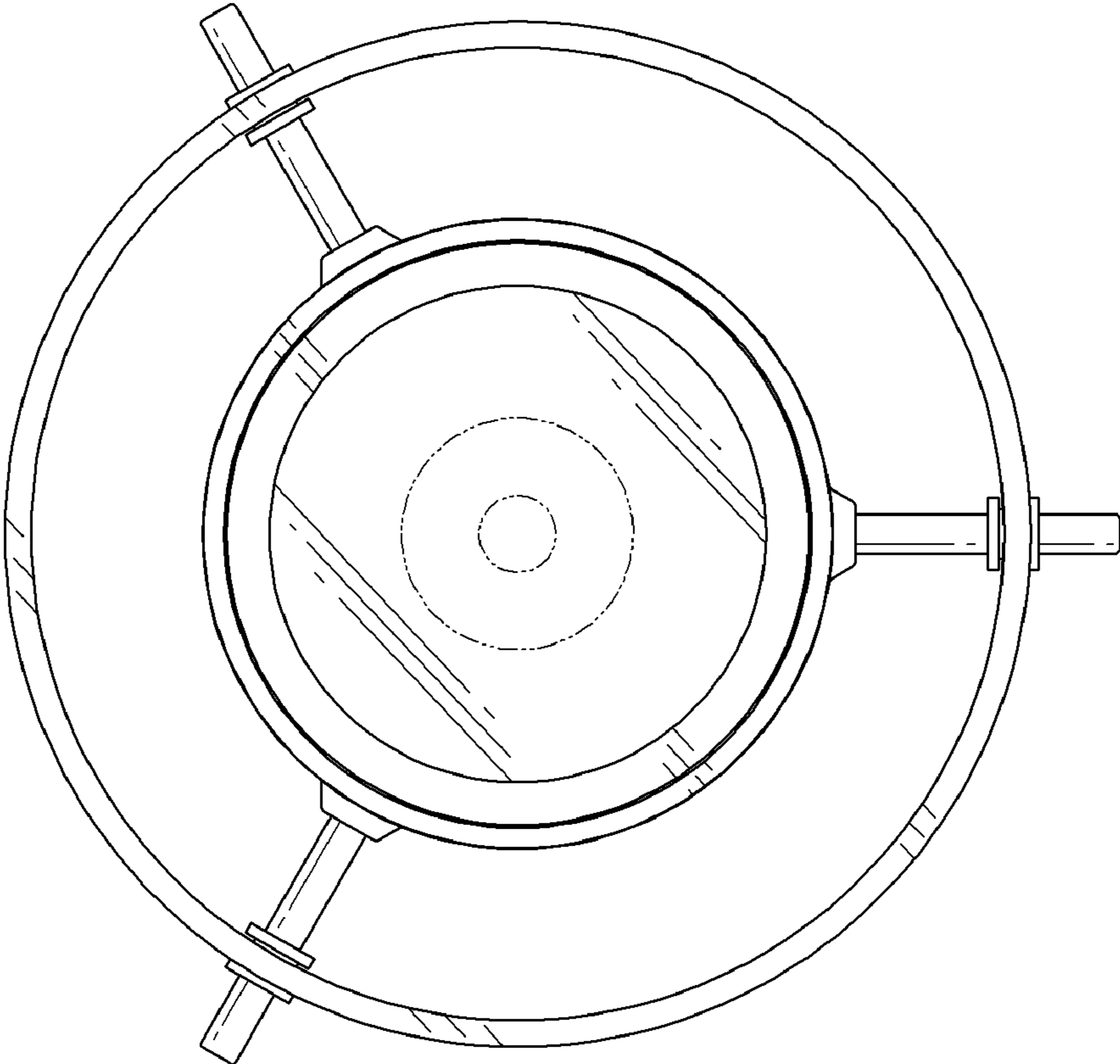


FIG. 6

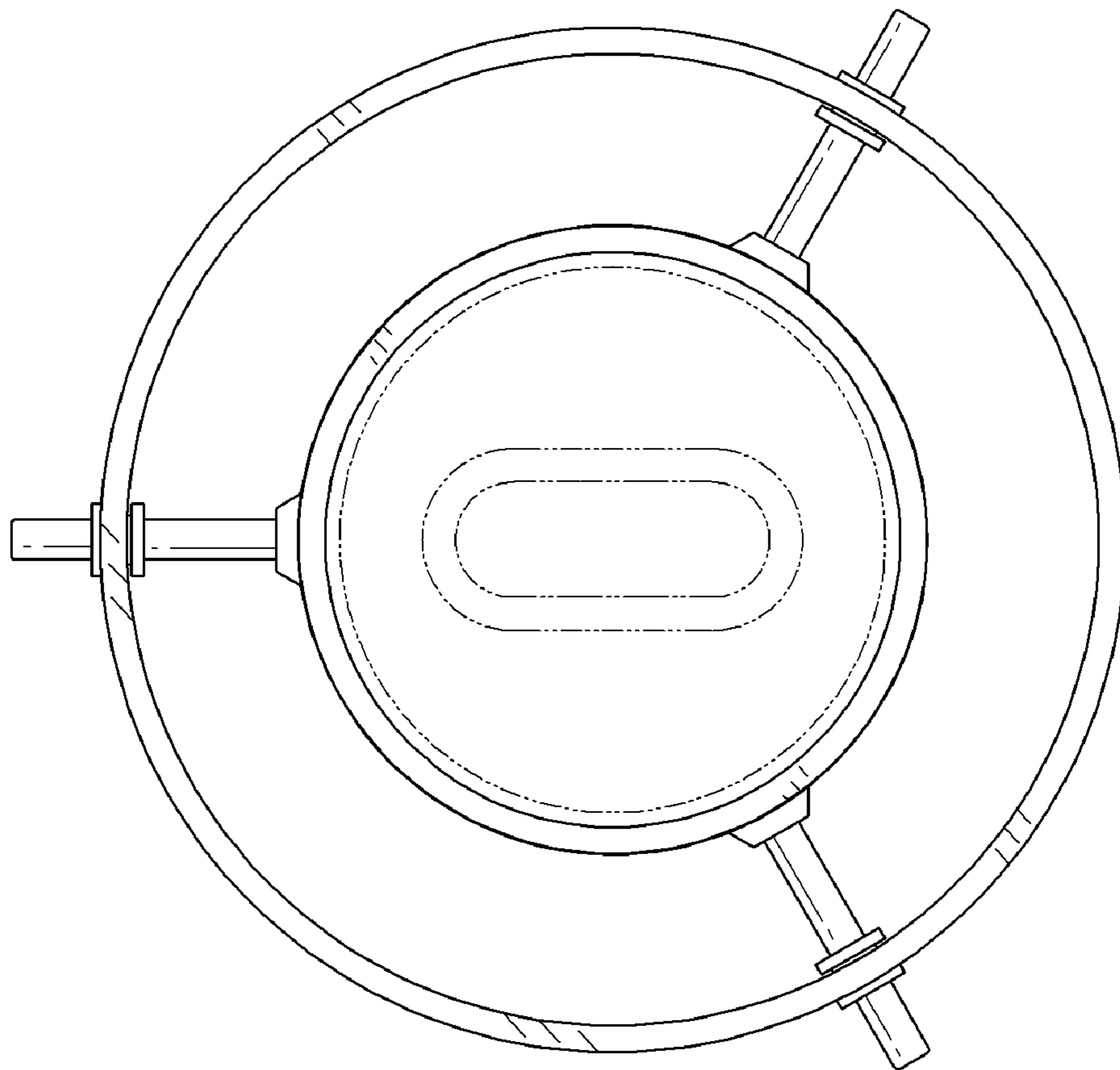


FIG. 7