



US00D563588S

(12) **United States Design Patent**
Mullen

(10) **Patent No.:** **US D563,588 S**

(45) **Date of Patent:** **** Mar. 4, 2008**

(54) **LIGHT FIXTURE**

(76) Inventor: **Nate Mullen**, 1240 Simpson Way,
Escondido, CA (US) 92029

(**) Term: **14 Years**

(21) Appl. No.: **29/254,070**

(22) Filed: **Feb. 16, 2006**

(51) **LOC (8) Cl.** **26-03**

(52) **U.S. Cl.** **D26/85; D26/89**

(58) **Field of Classification Search** D26/72,
D26/85-92, 37; 362/147, 431, 432, 362,
362/155-157

See application file for complete search history.

(56) **References Cited**

U.S. PATENT DOCUMENTS

- D283,555 S * 4/1986 Levi D26/85
- D346,869 S * 5/1994 Houssian D26/26
- D378,621 S * 3/1997 Landefeld D26/85

- D393,095 S * 3/1998 Fiorato D26/85
- D505,739 S * 5/2005 Hajianpour D26/37

* cited by examiner

Primary Examiner—Clare E Heflin

(74) *Attorney, Agent, or Firm*—Kelly Lowry & Kelley, LLP

(57) **CLAIM**

The ornamental design for a light fixture, as shown and described.

DESCRIPTION

FIG. 1 is a perspective view of the light fixture embodying the new design;

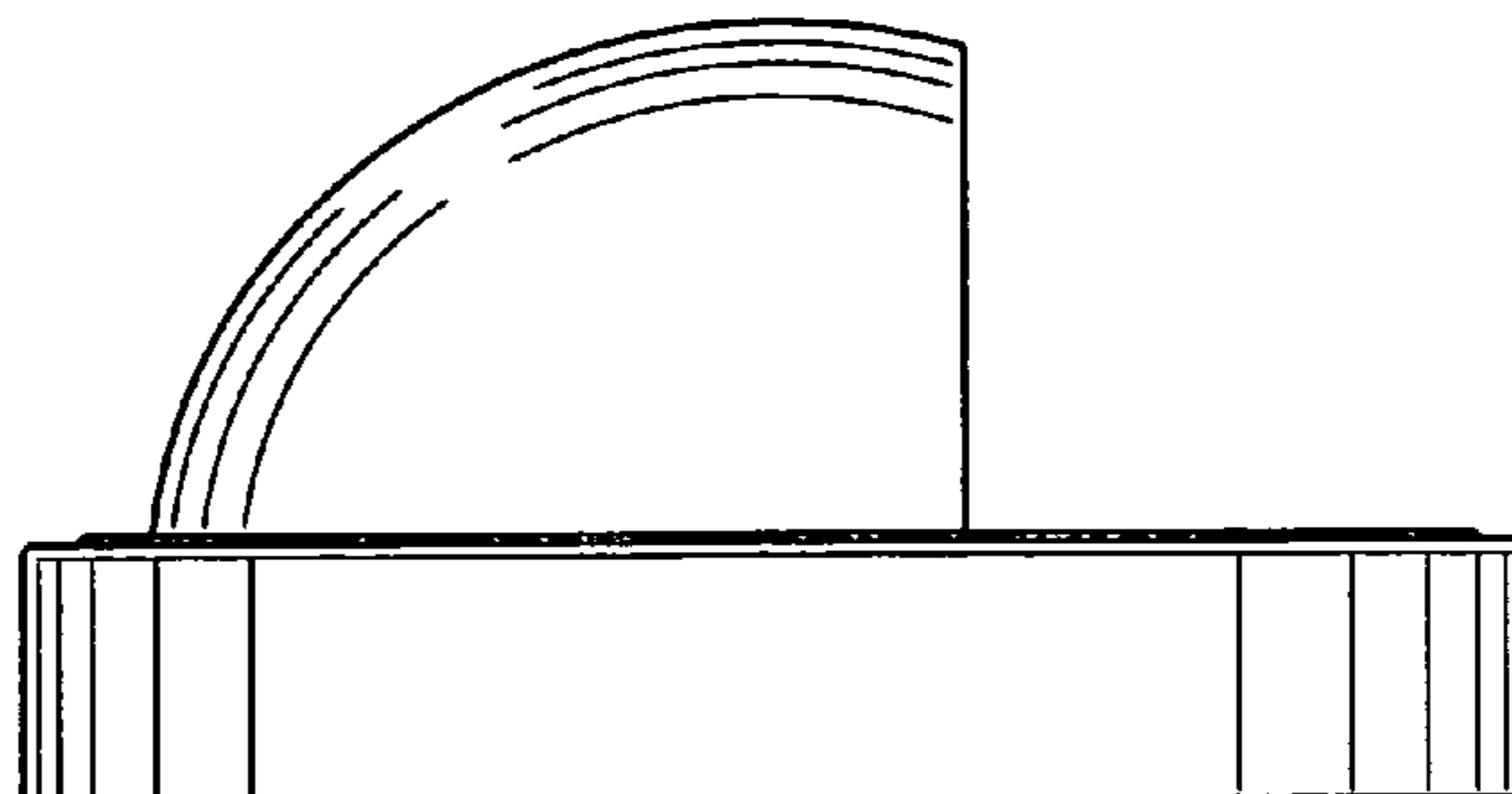
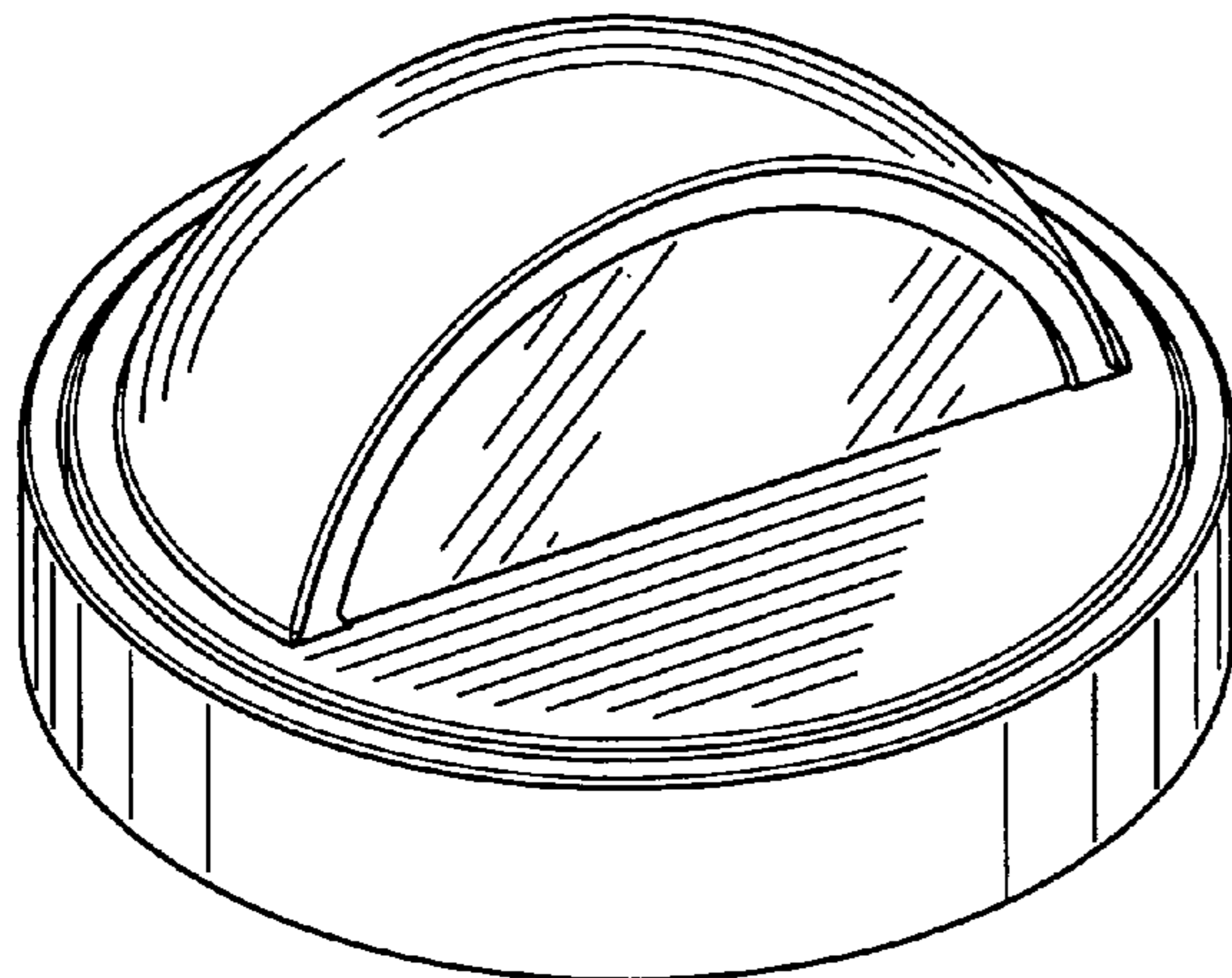
FIG. 2 is a front view of the present invention;

FIG. 3 is a back view of the present invention;

FIG. 4 is a side view of the present invention, the other side view being a mirror image of this side view as shown; and,

FIG. 5 is a top view of the light fixture.

1 Claim, 2 Drawing Sheets



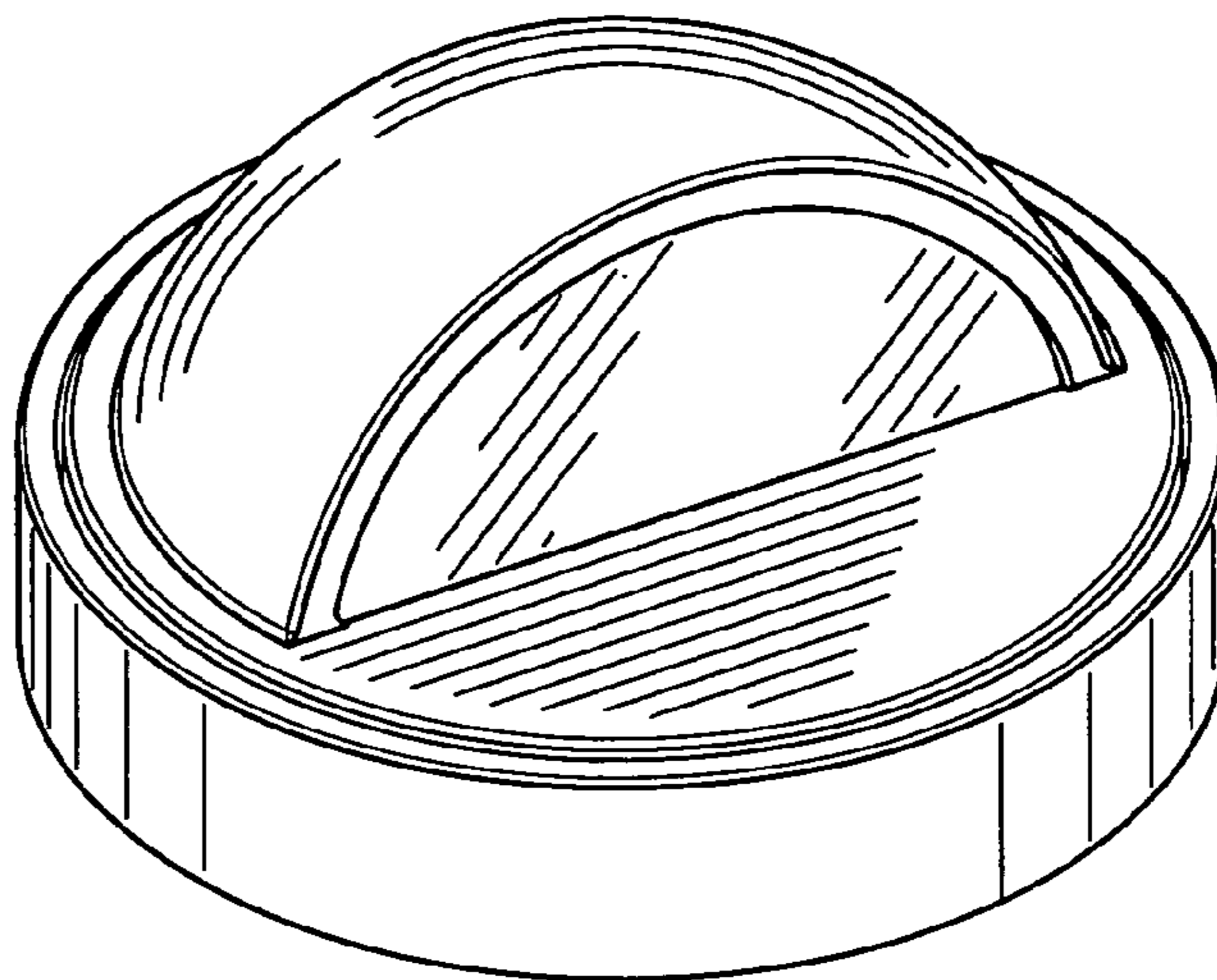


FIG. 1

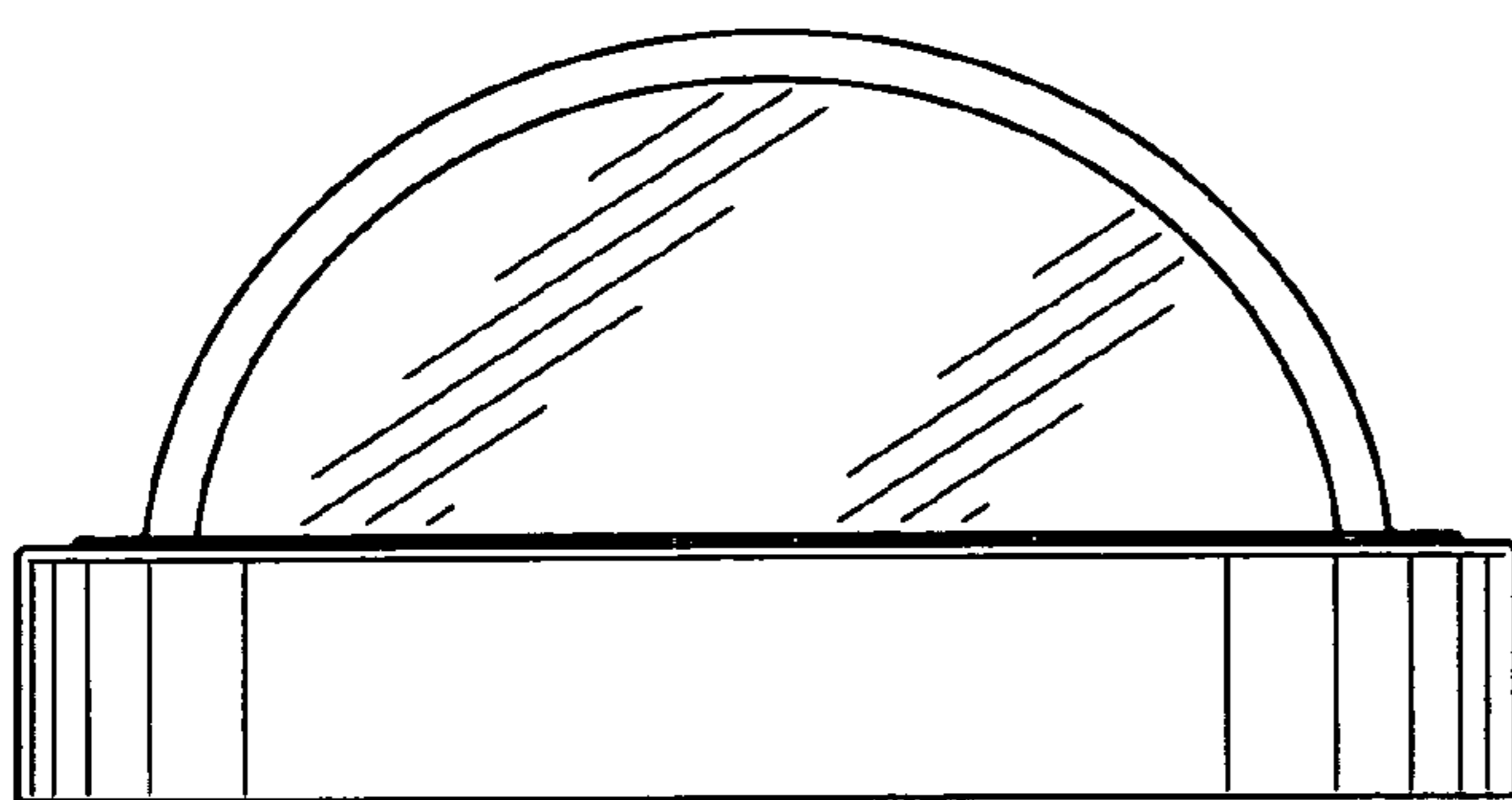


FIG. 2

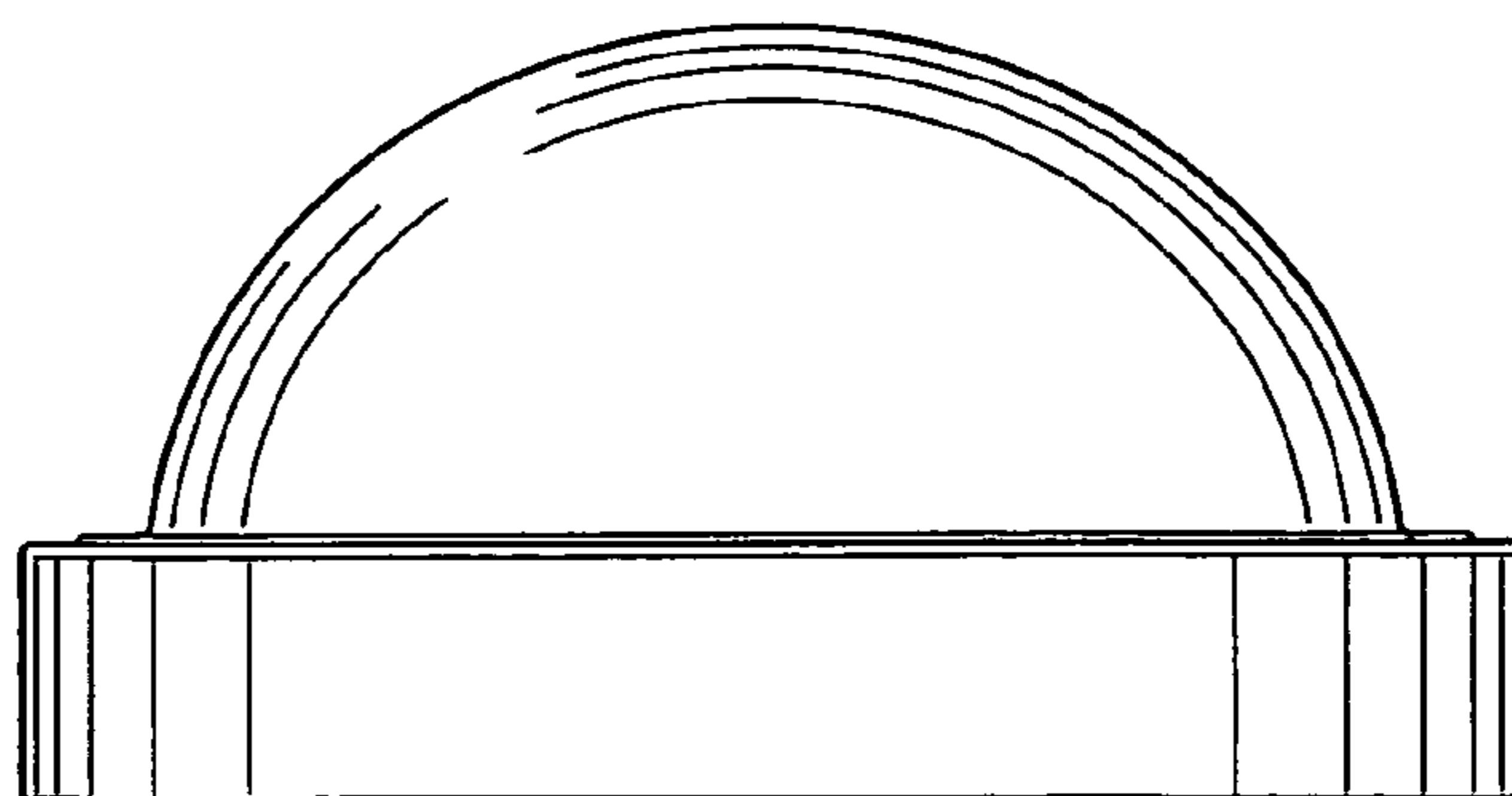


FIG. 3

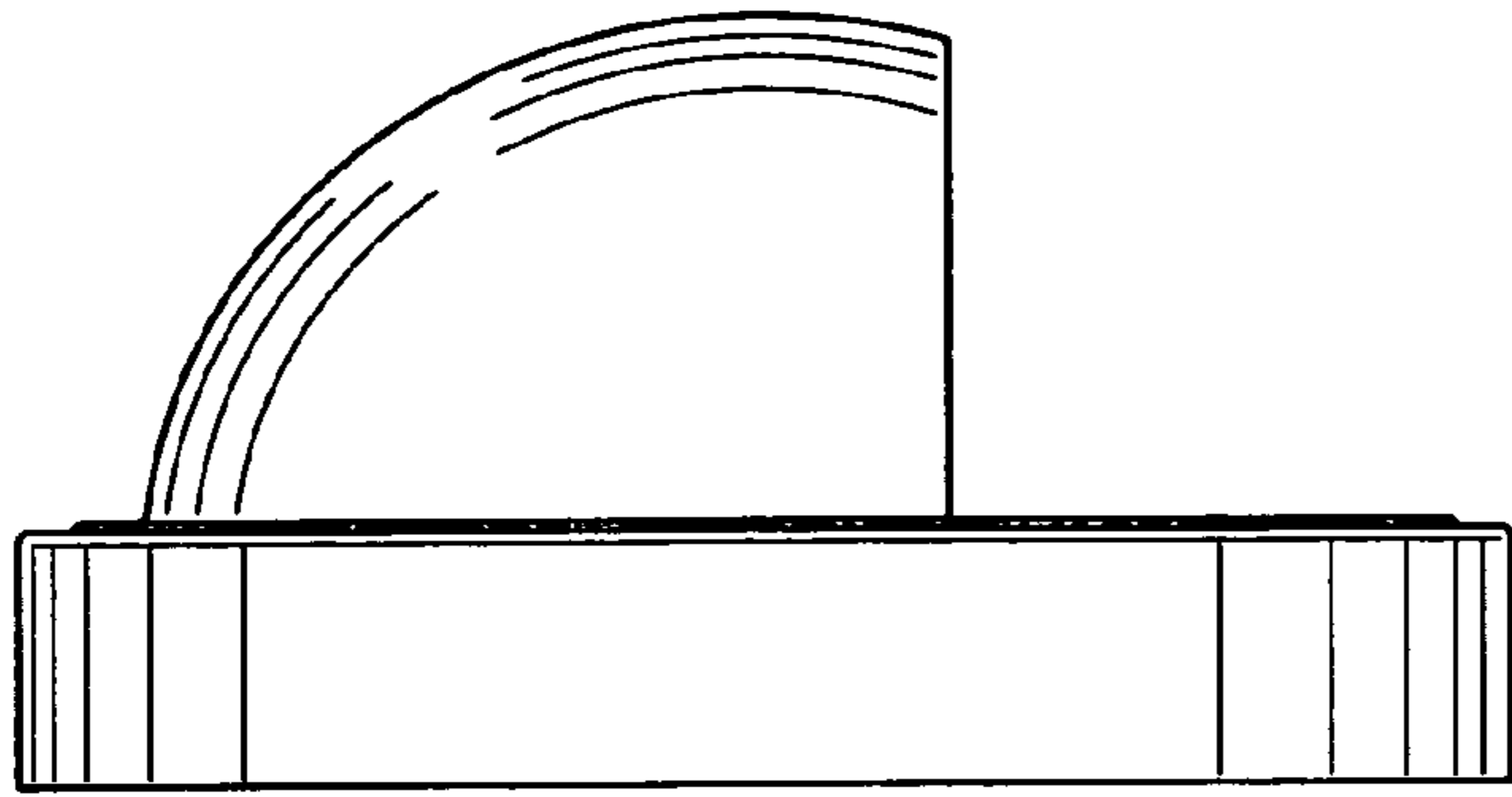


FIG. 4

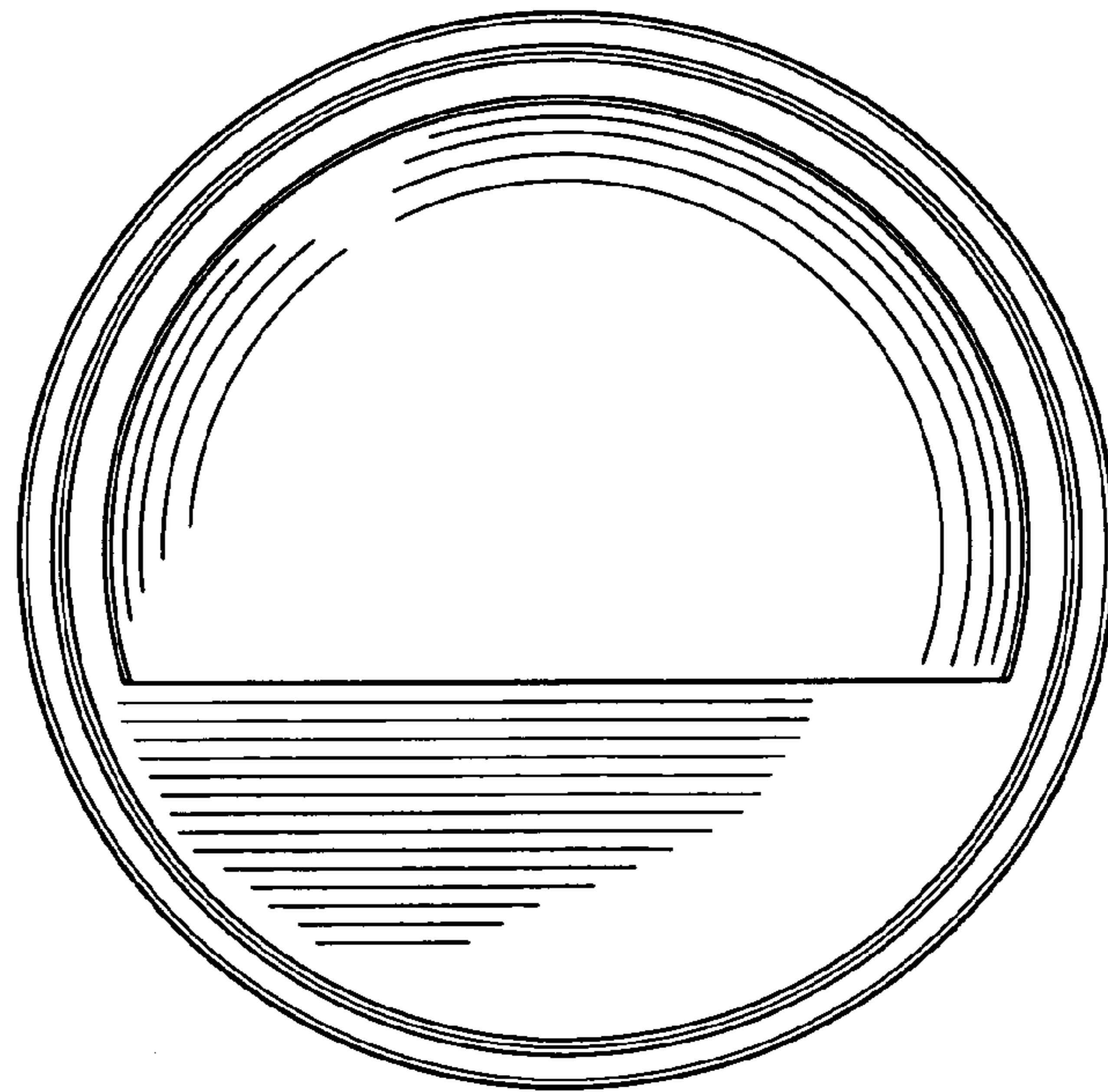


FIG. 5