



US00D563586S

(12) **United States Design Patent**  
**Lee et al.**

(10) **Patent No.:** **US D563,586 S**  
(45) **Date of Patent:** **\*\* Mar. 4, 2008**

(54) **SOLAR-POWERED OUTDOOR LIGHT**

(75) Inventors: **Po Sum Lee**, Hong Kong (CN); **Wai Wah Chung**, Hong Kong (CN); **Kevin Kelley**, Frisco, TX (US)

(73) Assignee: **The Brinkmann Corporation**, Dallas, TX (US)

(\*\*) Term: **14 Years**

(21) Appl. No.: **29/286,931**

(22) Filed: **May 21, 2007**

(51) **LOC (8) Cl.** ..... **26-05**

(52) **U.S. Cl.** ..... **D26/67**

(58) **Field of Classification Search** ..... D26/67,  
D26/68, 72, 85, 87, 92; 362/152, 157, 180,  
362/183, 185, 186, 431

See application file for complete search history.

(56) **References Cited**

**U.S. PATENT DOCUMENTS**

2,066,631	A *	1/1937	Le Gorre	.....	362/303
D199,267	S *	9/1964	Harling et al.	.....	D26/67
D201,515	S *	6/1965	Pettengill	.....	D26/67
3,721,516	A *	3/1973	Reese	.....	362/431
D329,099	S *	9/1992	Hall et al.	.....	D26/67
D446,335	S	8/2001	Cheong		
D481,819	S	11/2003	Cheong et al.		
D485,386	S	1/2004	Cheong et al.		
D497,021	S *	10/2004	Pu	.....	D26/67
D517,719	S *	3/2006	Sanoner	.....	D26/68
D518,219	S *	3/2006	Bucher et al.	.....	D26/67
D527,133	S	8/2006	Hon et al.		

D529,652	S	10/2006	Hon et al.		
D530,034	S *	10/2006	Hon et al.	.....	D26/67
D533,676	S	12/2006	Hon et al.		

\* cited by examiner

*Primary Examiner*—Clare E Heflin

(74) *Attorney, Agent, or Firm*—Sheppard, Mullin, Richter & Hampton LLP

(57) **CLAIM**

We claim the ornamental design for a solar-powered outdoor light, as shown and described.

**DESCRIPTION**

FIG. 1 is a perspective view of a first embodiment of a solar-powered outdoor light showing the new design;

FIG. 2 is a front elevational view thereof, the right side elevational view, the left side elevational view and the rear elevational view being identical images thereof;

FIG. 3 is a top plan view thereof;

FIG. 4 is a bottom plan view thereof;

FIG. 5 is a perspective view of a second embodiment of a solar-powered outdoor light showing the new design;

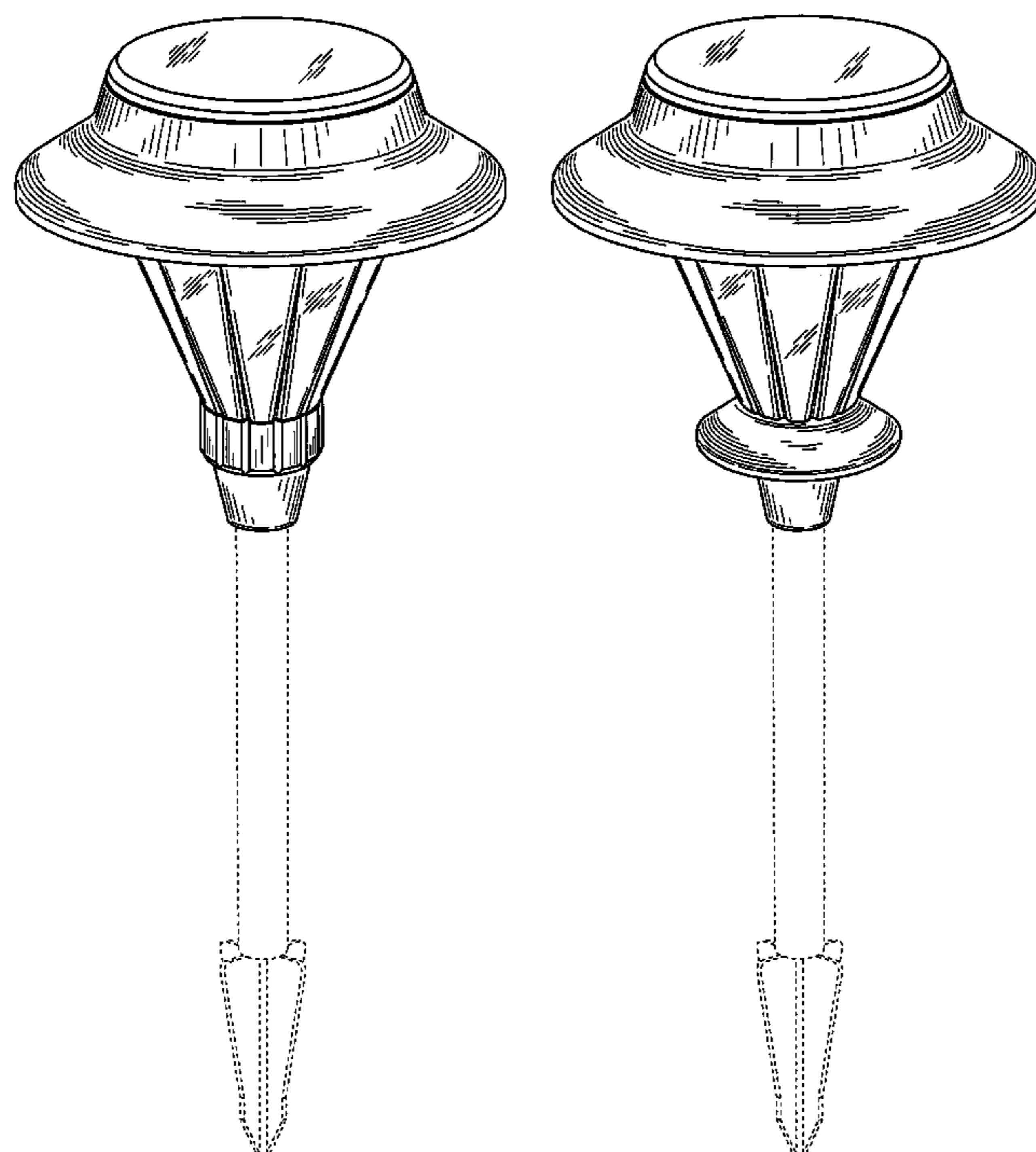
FIG. 6 is a front elevational view of FIG. 5, the right side elevational view, the left side elevational view and the rear elevational view being identical images thereof;

FIG. 7 is a top plan view of FIG. 5; and,

FIG. 8 is a bottom plan view of FIG. 5.

The dotted lines are for illustrative purposes only and form no part of the claimed design.

**1 Claim, 6 Drawing Sheets**



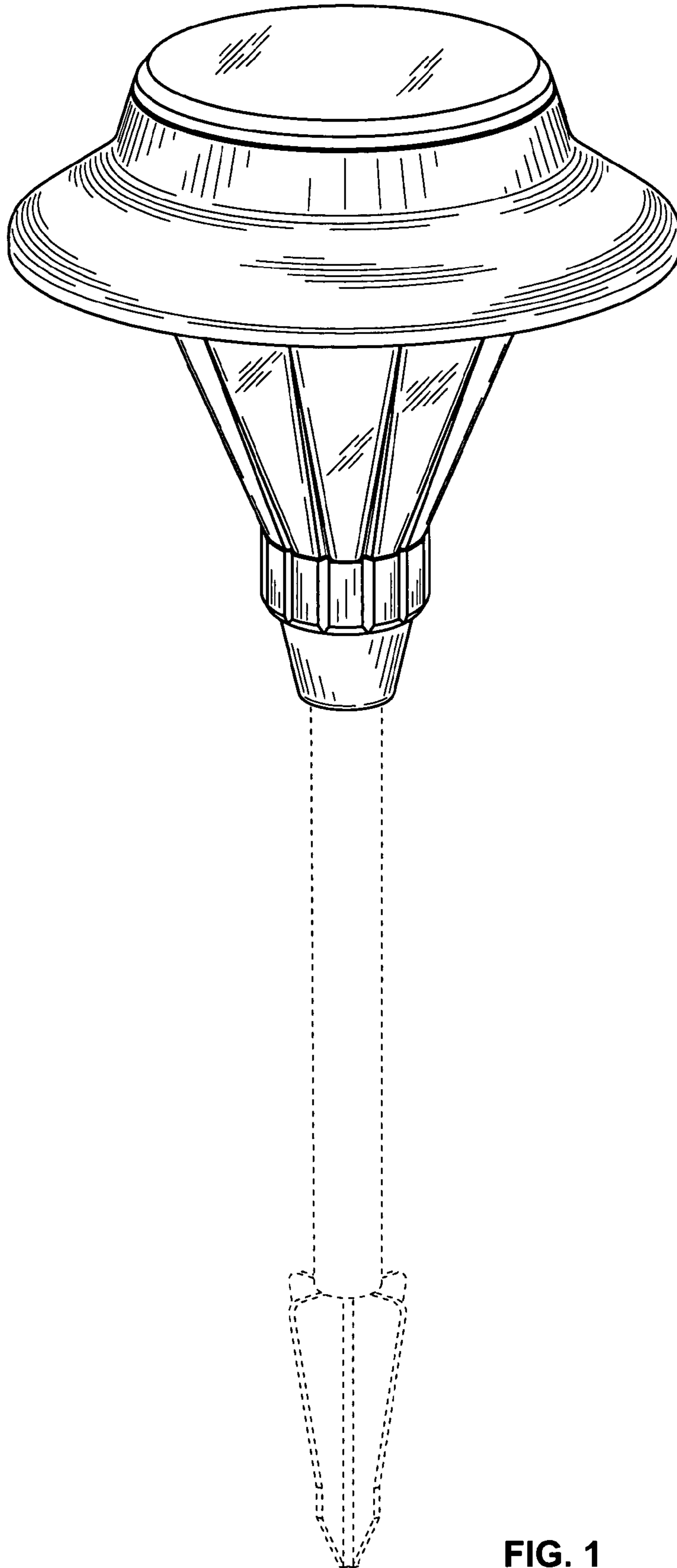


FIG. 1

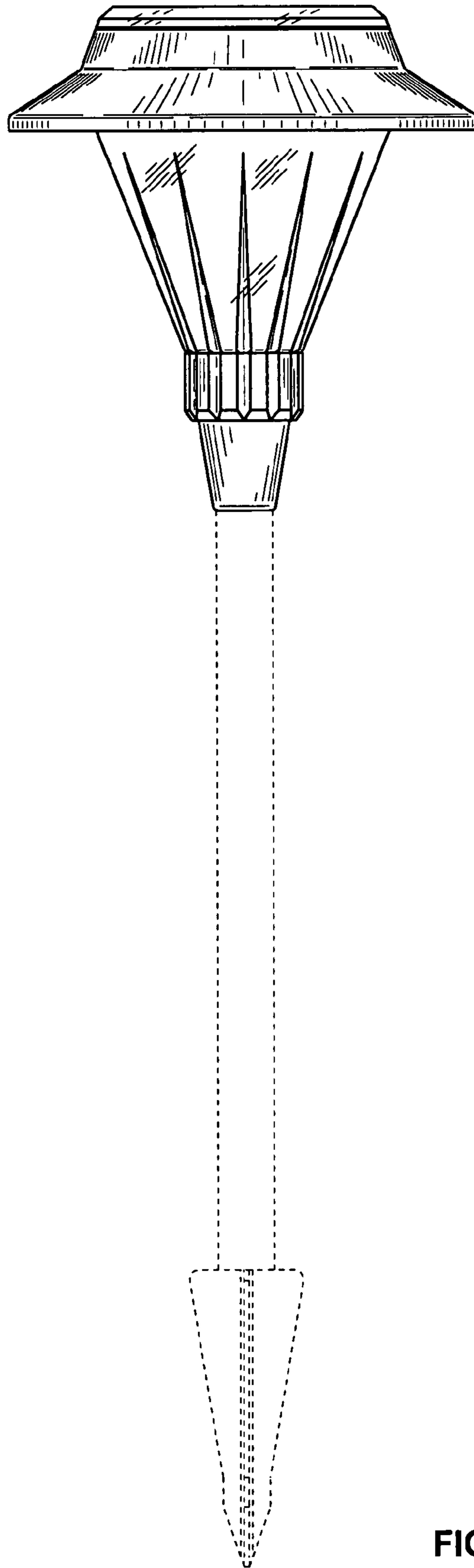


FIG. 2

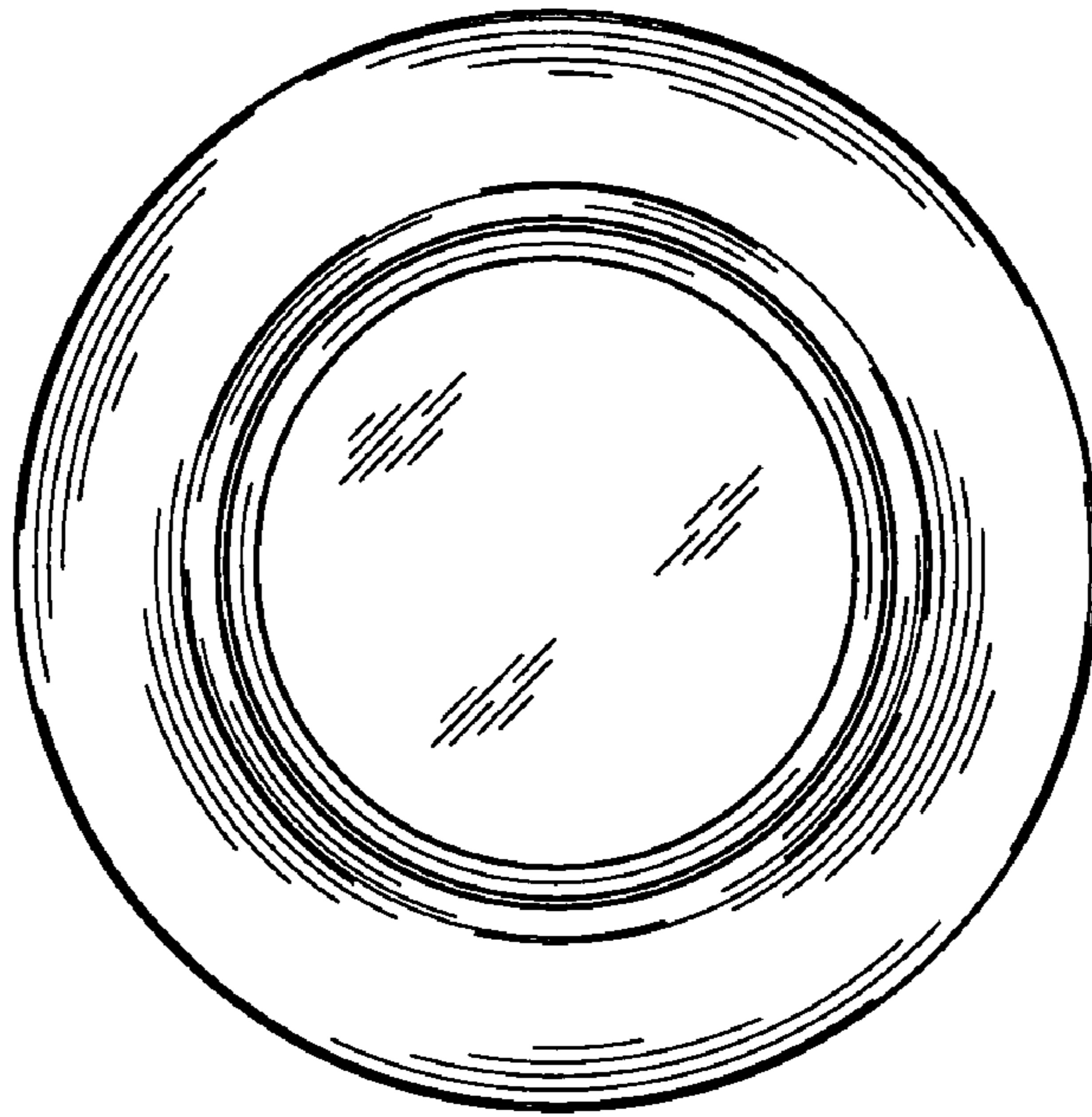


FIG. 3

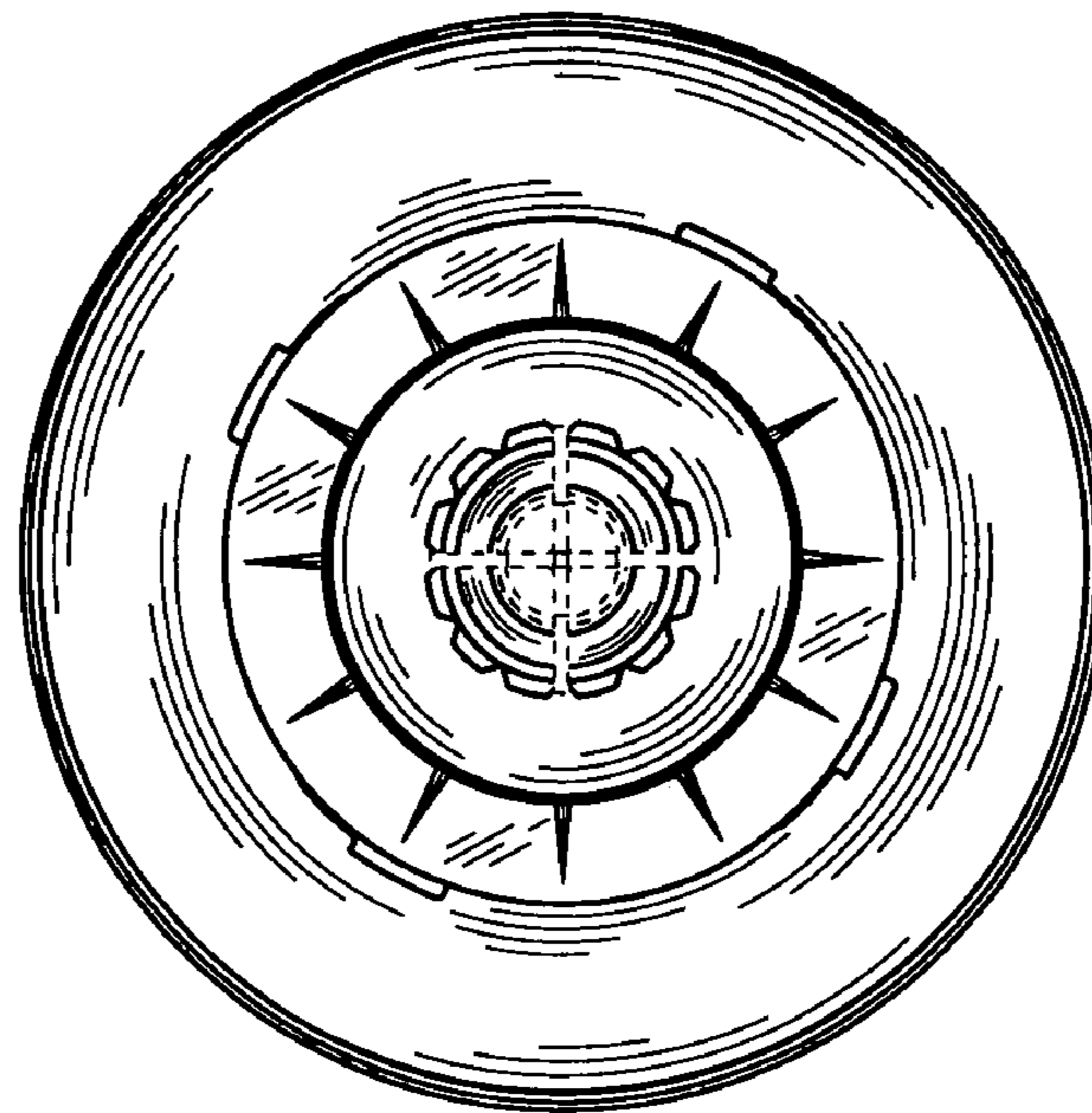


FIG. 4

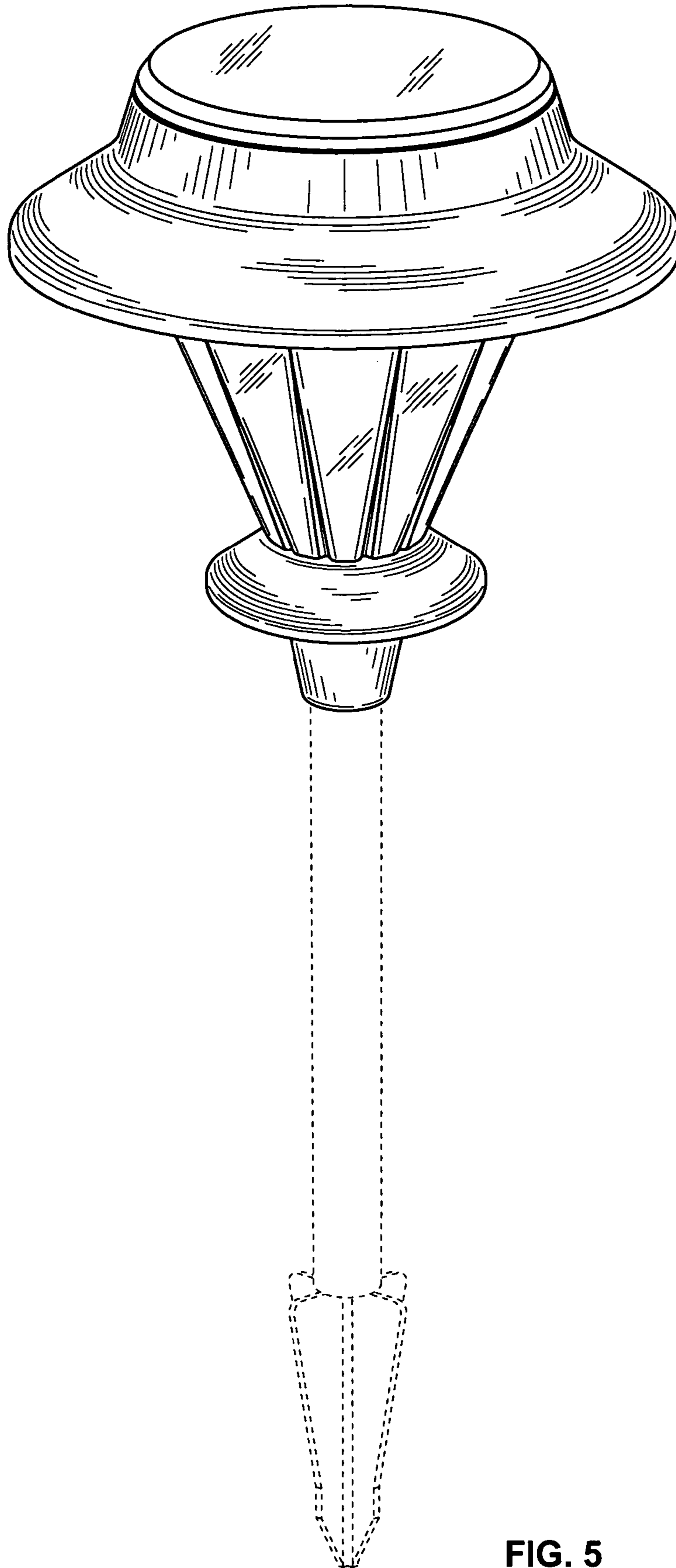


FIG. 5

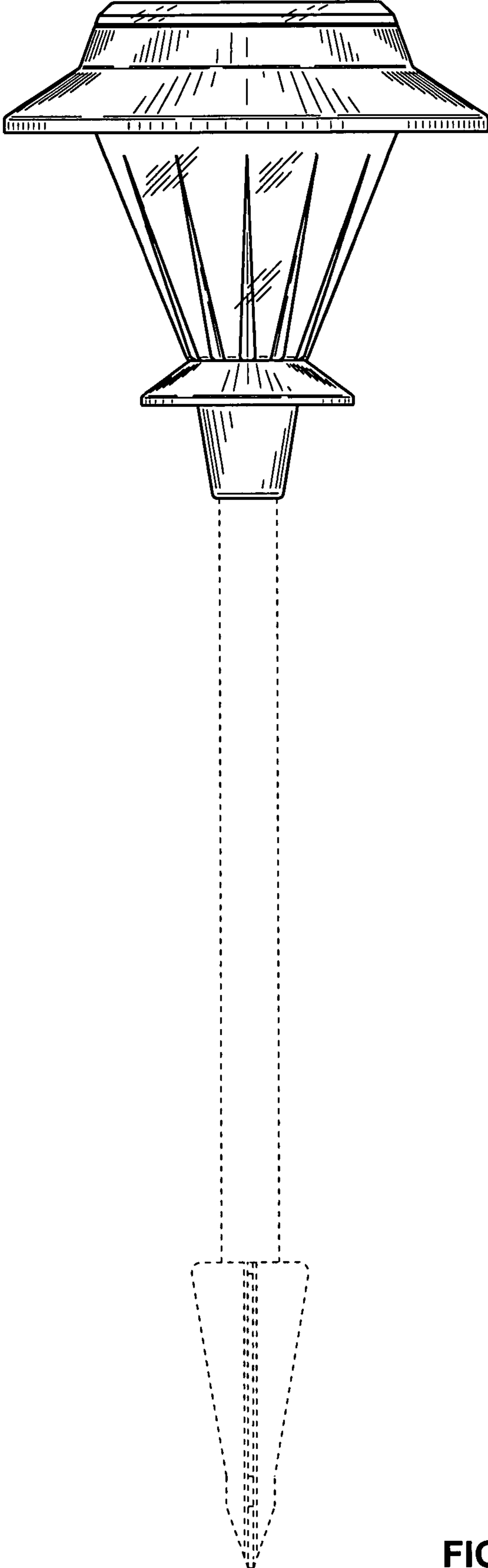


FIG. 6

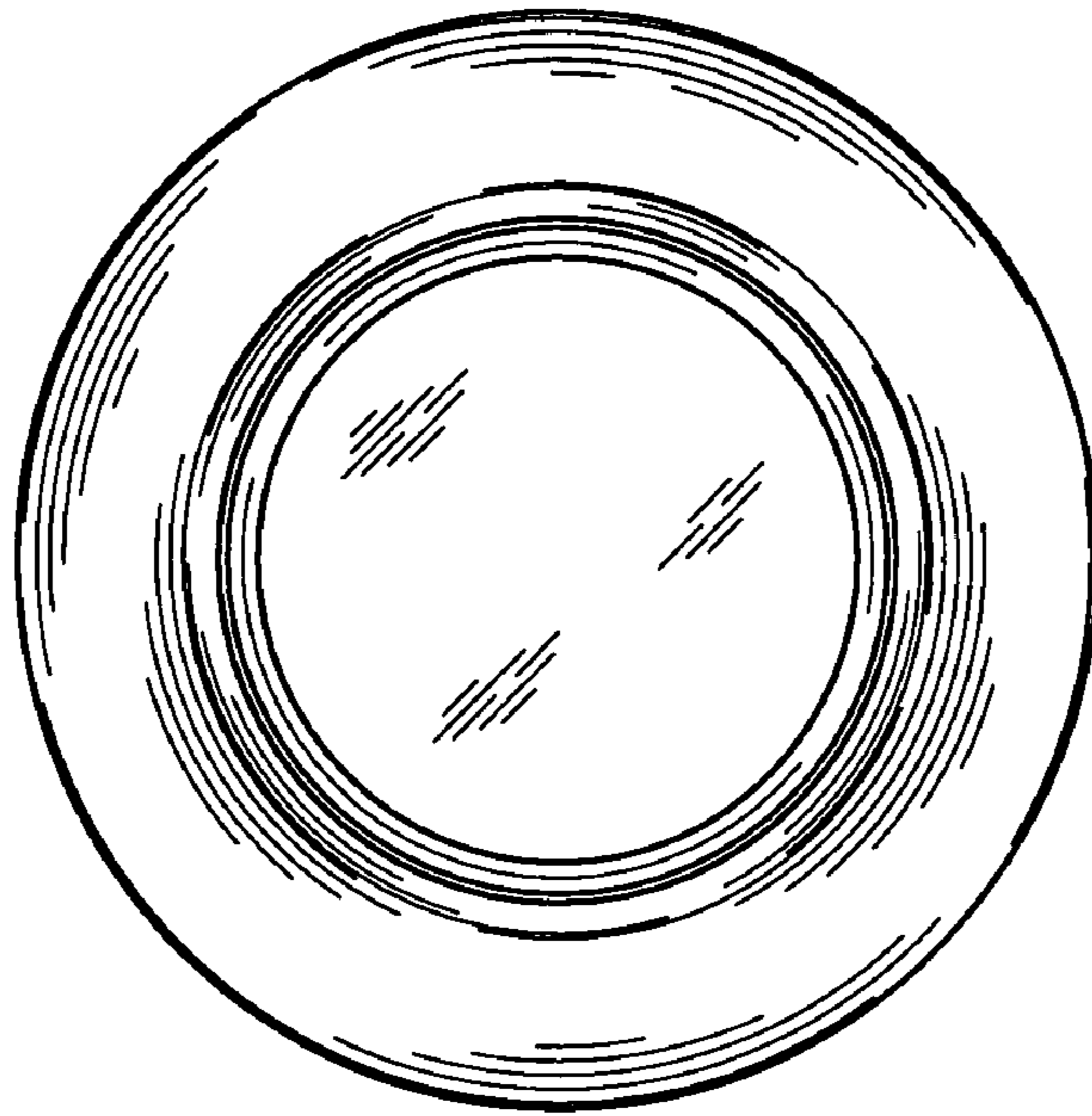


FIG. 7

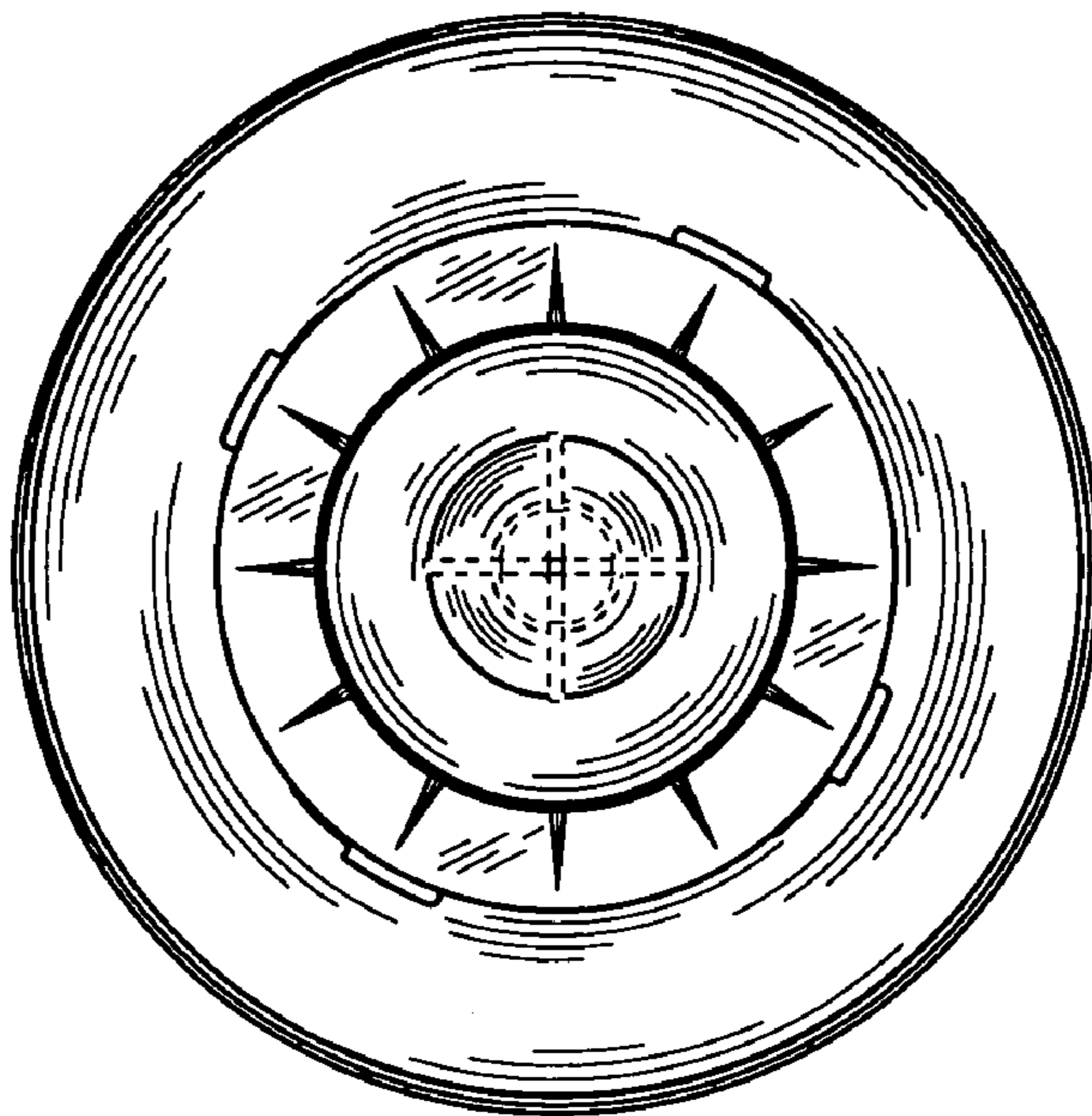


FIG. 8