



US00D563585S

(12) **United States Design Patent**  
**Lee et al.**

(10) **Patent No.:** **US D563,585 S**  
(45) **Date of Patent:** **\*\* Mar. 4, 2008**

(54) **SOLAR-POWERED OUTDOOR LIGHT**

(75) Inventors: **Po Sum Lee**, Hong Kong (CN); **Wai Wah Chung**, Hong Kong (CN); **Kevin Kelley**, Frisco, TX (US)

(73) Assignee: **The Brinkmann Corporation**, Dallas, TX (US)

(\*\*) Term: **14 Years**

(21) Appl. No.: **29/286,930**

(22) Filed: **May 21, 2007**

(51) **LOC (8) Cl.** ..... **26-05**

(52) **U.S. Cl.** ..... **D26/67; D26/85; D26/92**

(58) **Field of Classification Search** ..... D26/40,  
D26/67, 68, 72, 87, 92; 362/152, 157, 180,  
362/183, 185, 186, 431

See application file for complete search history.

(56) **References Cited**

**U.S. PATENT DOCUMENTS**

D63,263 S	11/1923	Mohrmann	
2,659,809 A *	11/1953	Melia	362/356
D217,086 S *	4/1970	Miller	D22/123
D360,048 S	7/1995	Messina, Jr.	
D435,128 S *	12/2000	Nicholas	D26/67
D445,210 S *	7/2001	Chen	D26/72
D457,676 S	5/2002	Cheong	
D458,702 S	6/2002	Ellis	
D461,578 S	8/2002	Cheong	
D465,053 S	10/2002	Miranda	
D465,296 S	11/2002	DiPasquale	
D468,043 S	12/2002	Krieger et al.	
D468,470 S	1/2003	Chen	

D469,907 S	2/2003	Chen	
D475,797 S	6/2003	Cheong	
D477,683 S	7/2003	Cheong et al.	
D477,890 S	7/2003	Cheong et al.	
D482,478 S	11/2003	Cheong et al.	
D484,999 S *	1/2004	Krieger et al.	..... D26/67
D490,556 S	5/2004	Cheong et al.	
D494,699 S	8/2004	Hon et al.	
D504,189 S	4/2005	Hon et al.	
D553,286 S	10/2007	Chung et al.	

**OTHER PUBLICATIONS**

Lantern # 0L1810 WP on p. 247 of the 2004 Edition of the Murray-Feiss "Big Book" catalog.\*

\* cited by examiner

*Primary Examiner*—Clare E Heflin

(74) *Attorney, Agent, or Firm*—Sheppard, Mullin, Richter & Hampton LLP

(57) **CLAIM**

We claim the ornamental design for a solar-powered outdoor light, as shown and described.

**DESCRIPTION**

FIG. 1 is a perspective view of a solar-powered outdoor light showing the new design;

FIG. 2 is a right side elevational view thereof;

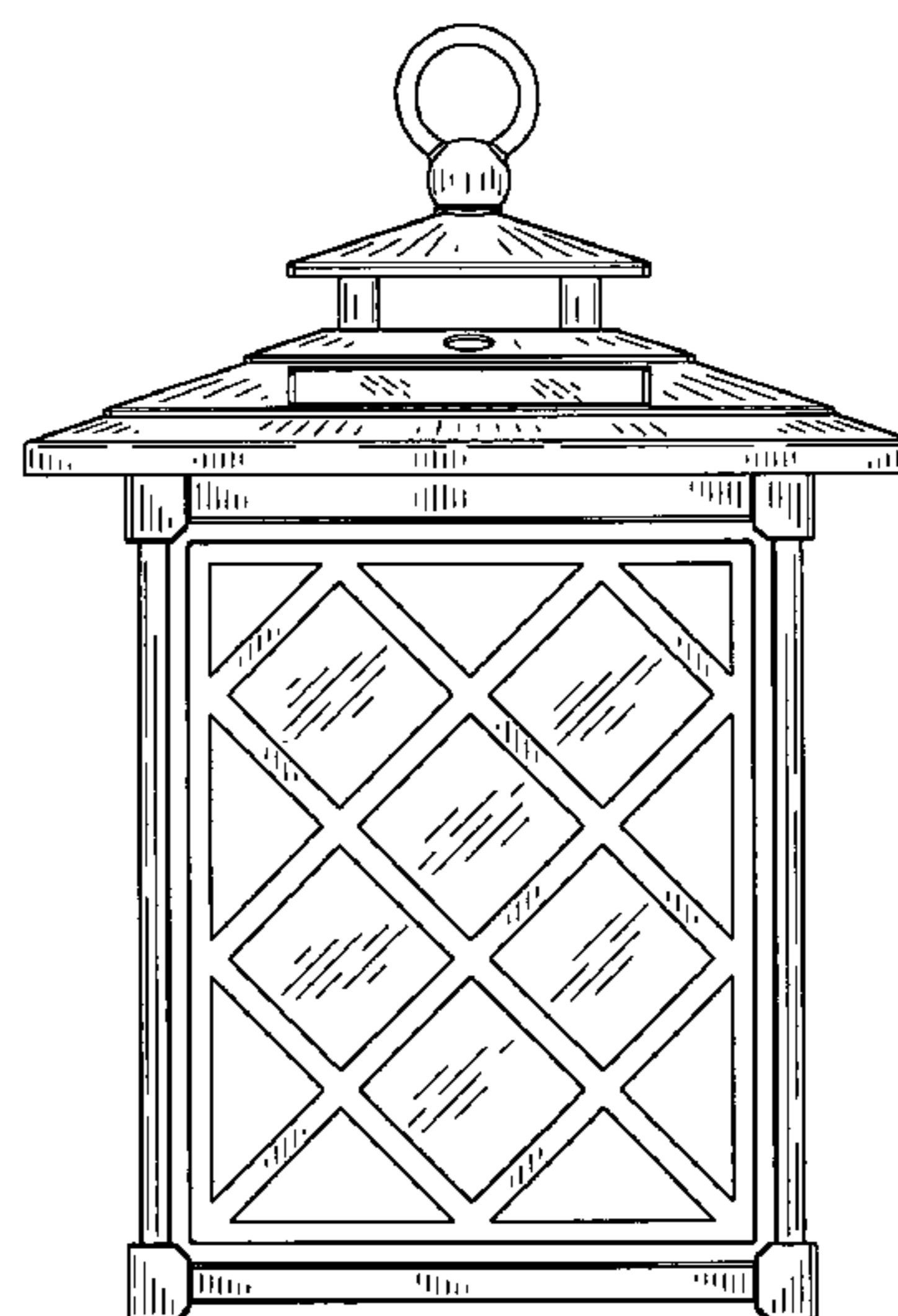
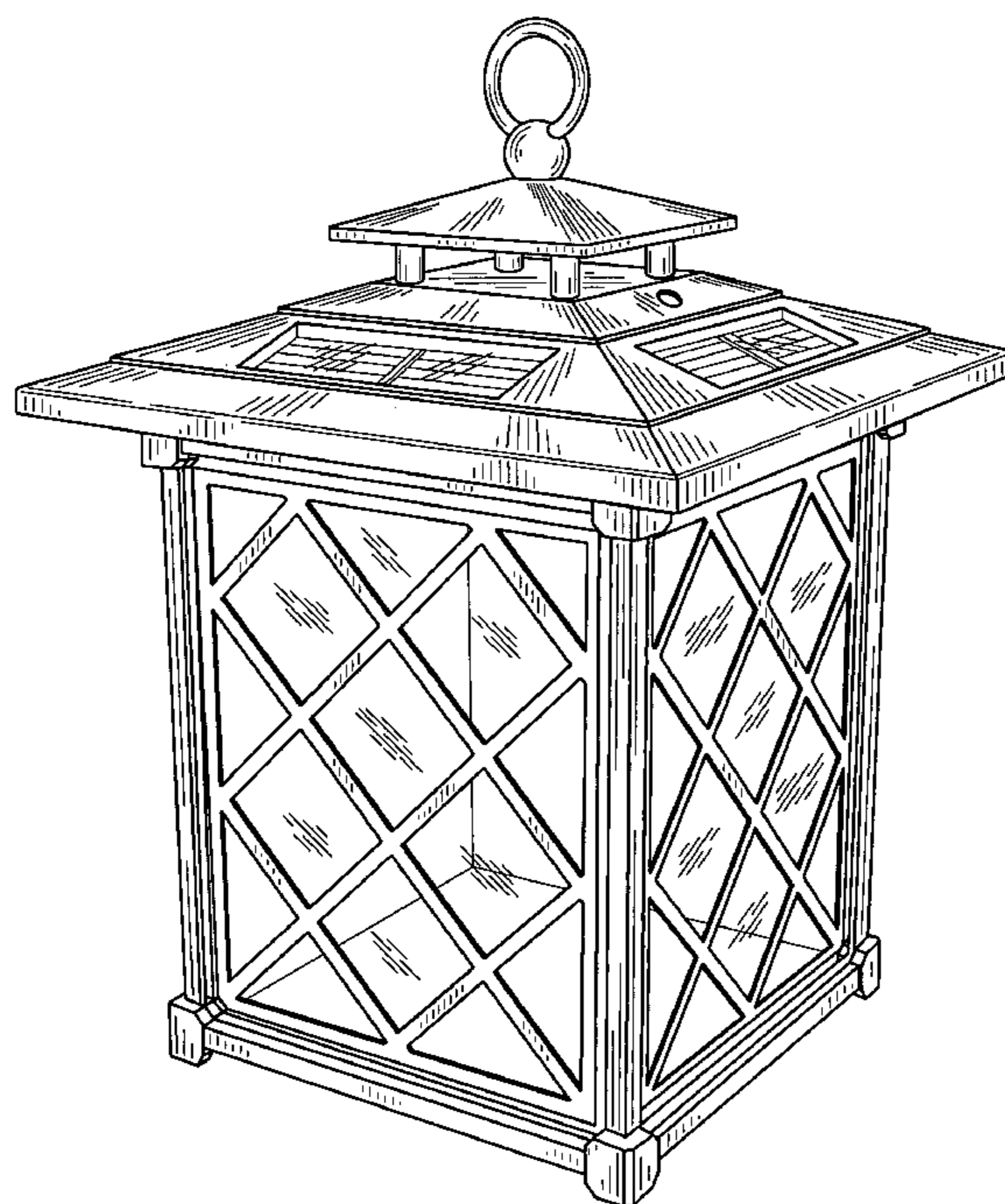
FIG. 3 is a left side elevational view thereof;

FIG. 4 is a front elevational view thereof; the rear elevational view being a mirror image thereof;

FIG. 5 is a top plan view thereof; and,

FIG. 6 is a bottom plan view thereof.

**1 Claim, 4 Drawing Sheets**



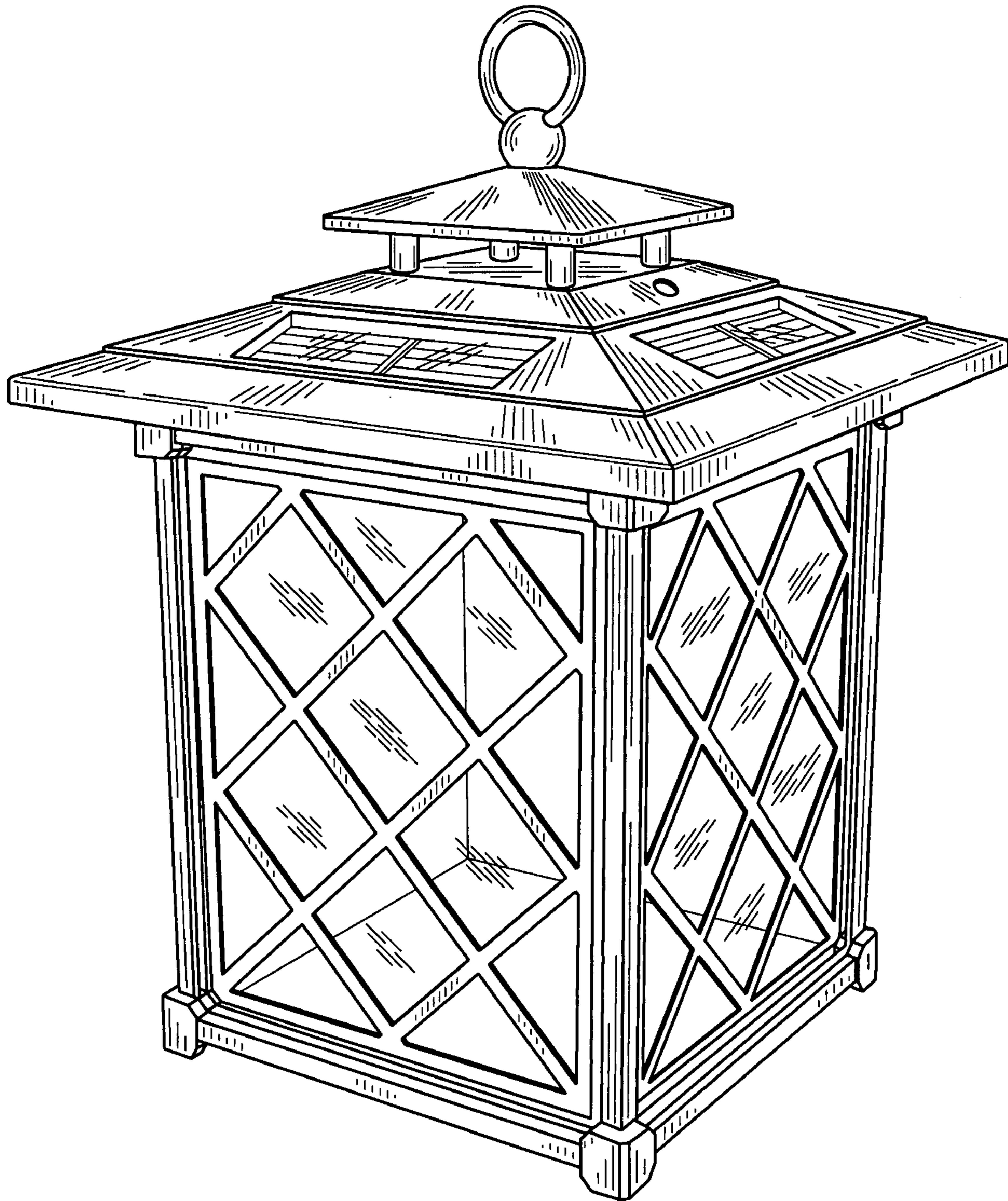


FIG. 1

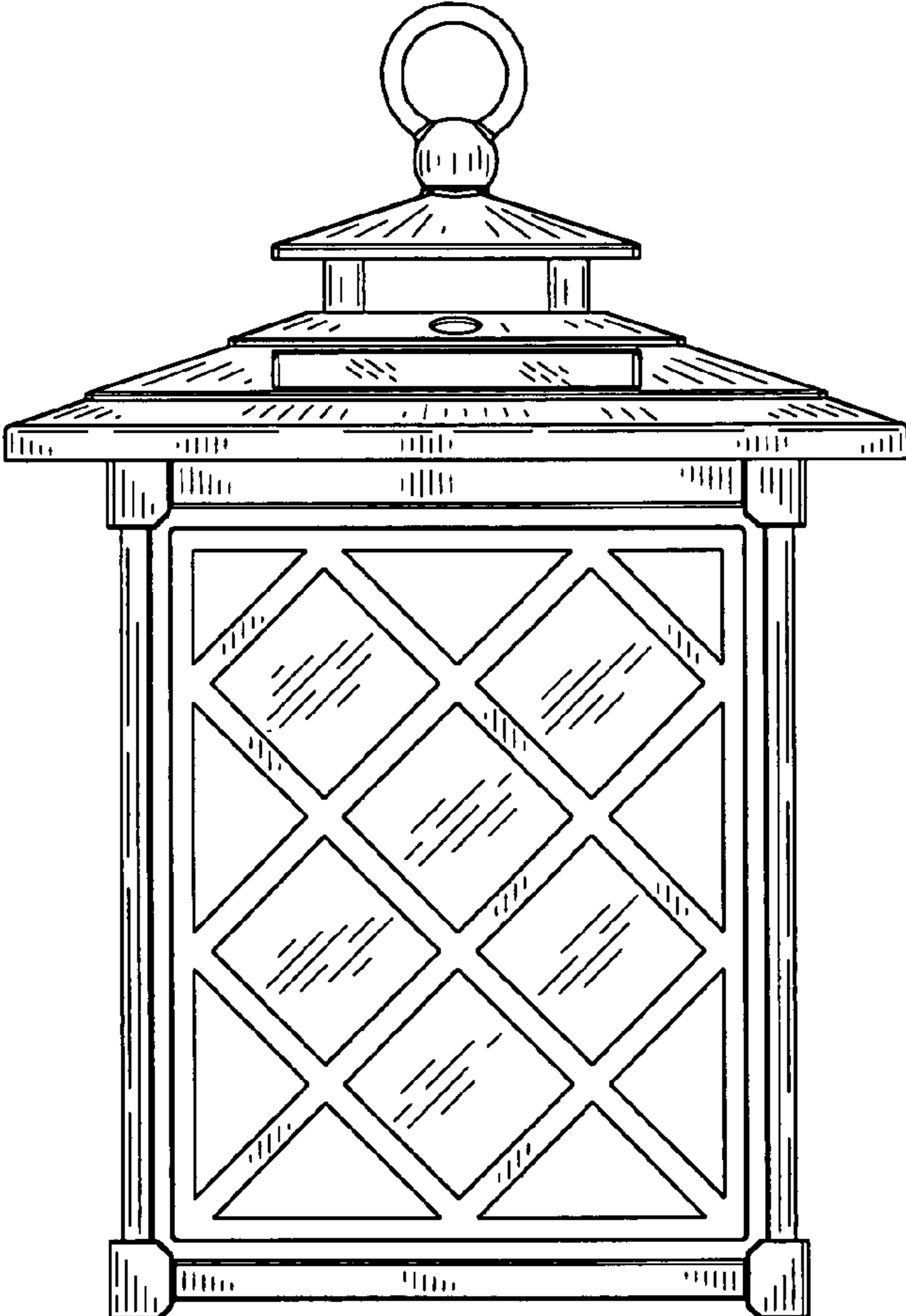


FIG. 2

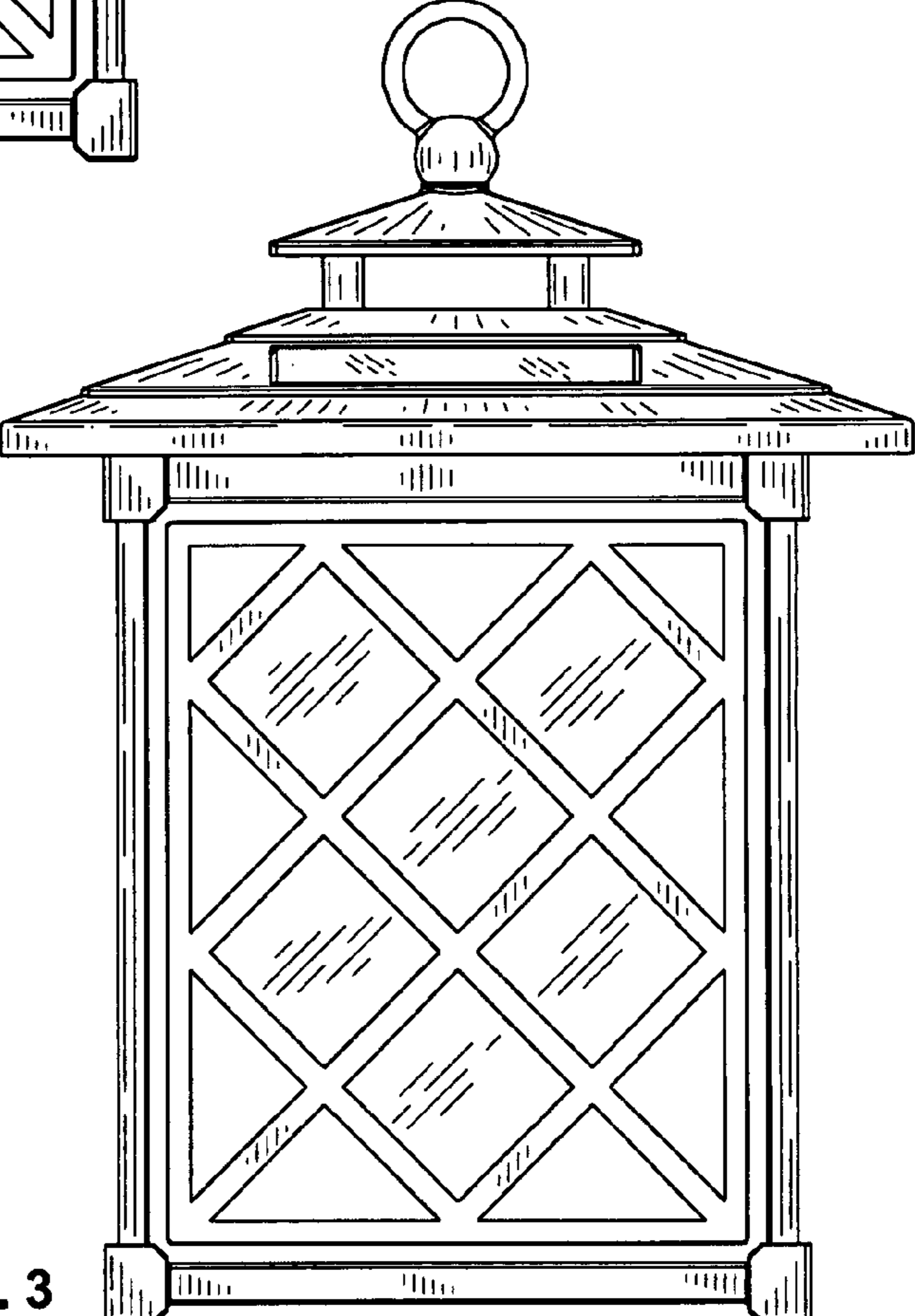
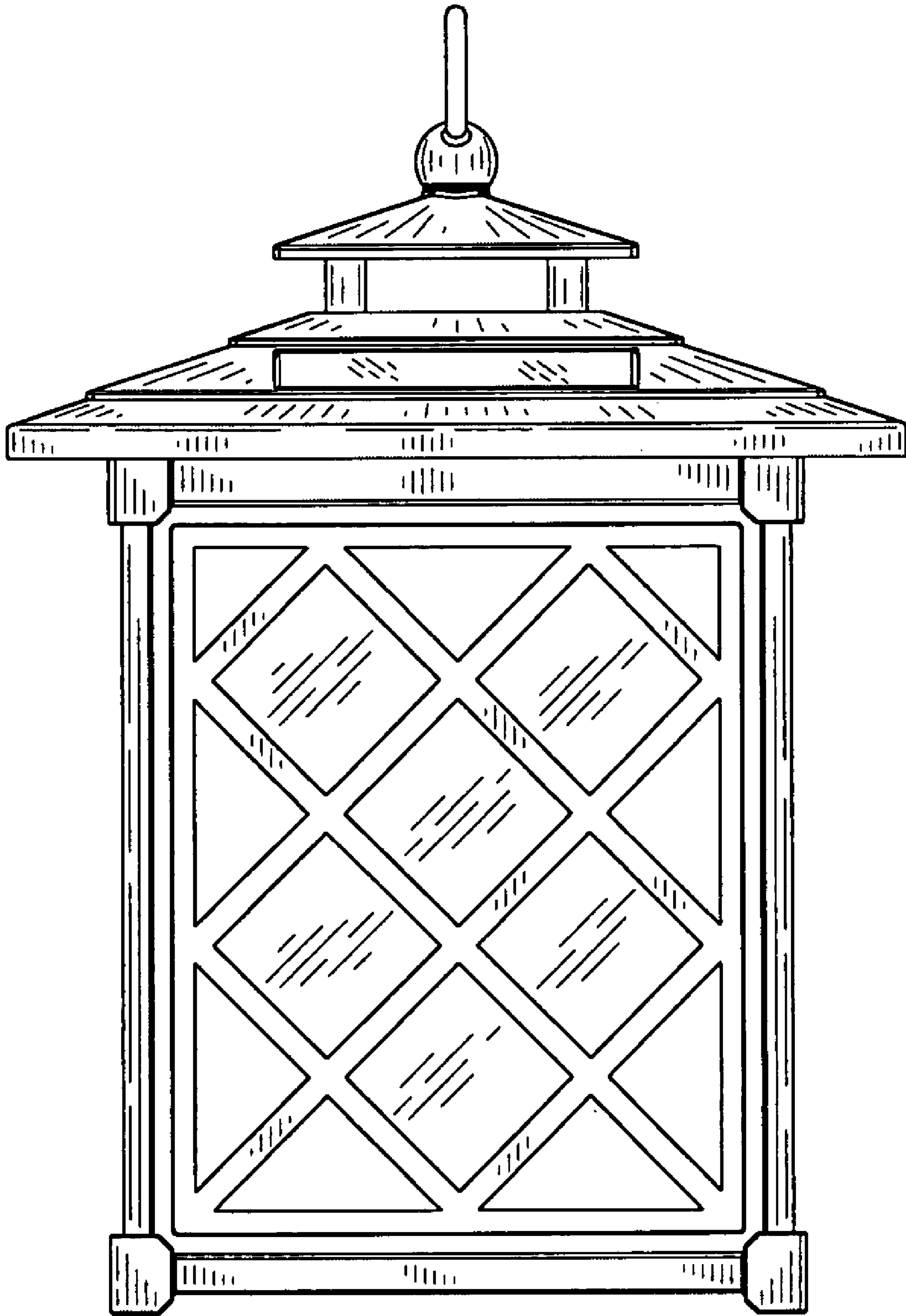


FIG. 3



**FIG. 4**

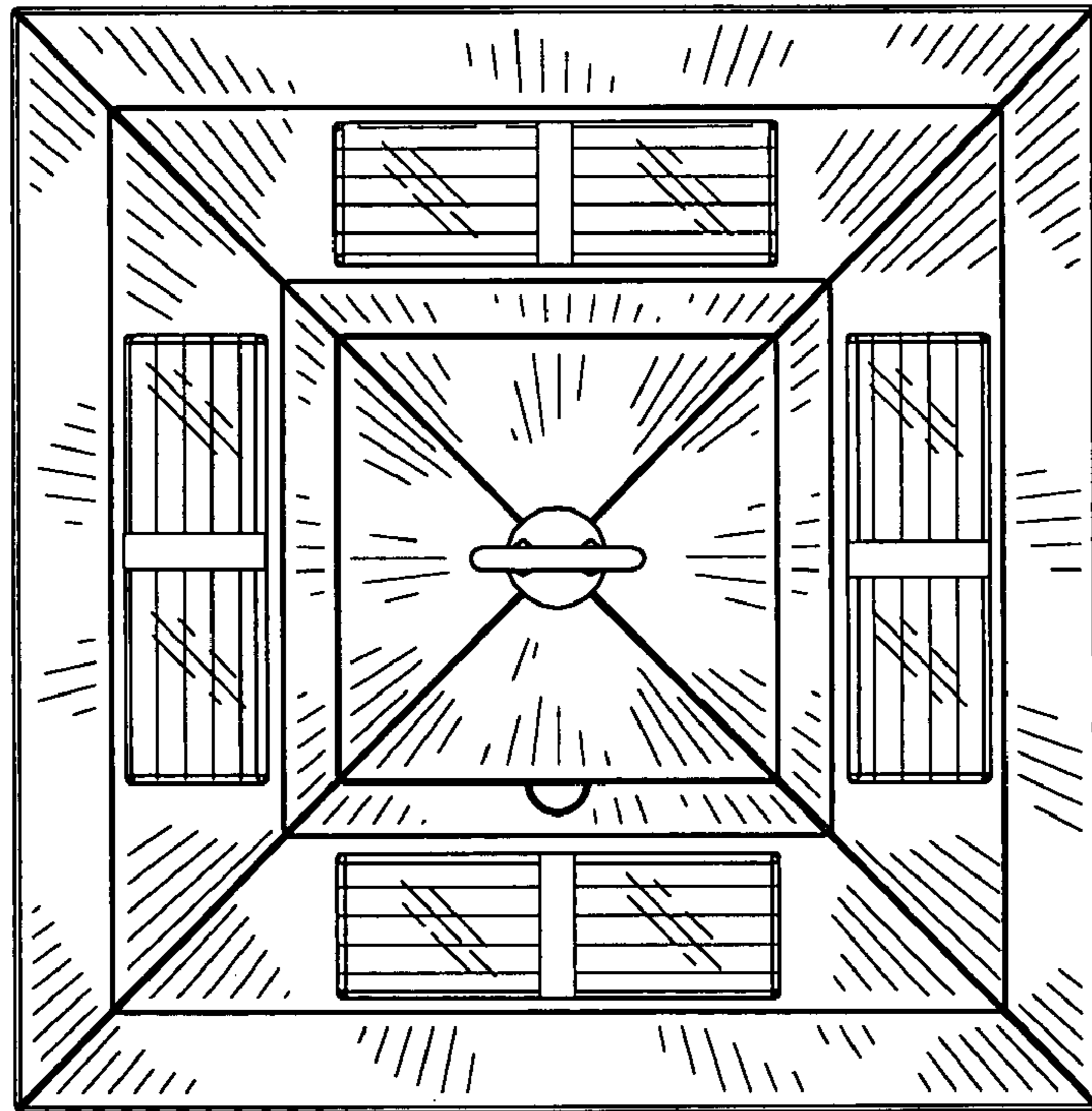


FIG. 5

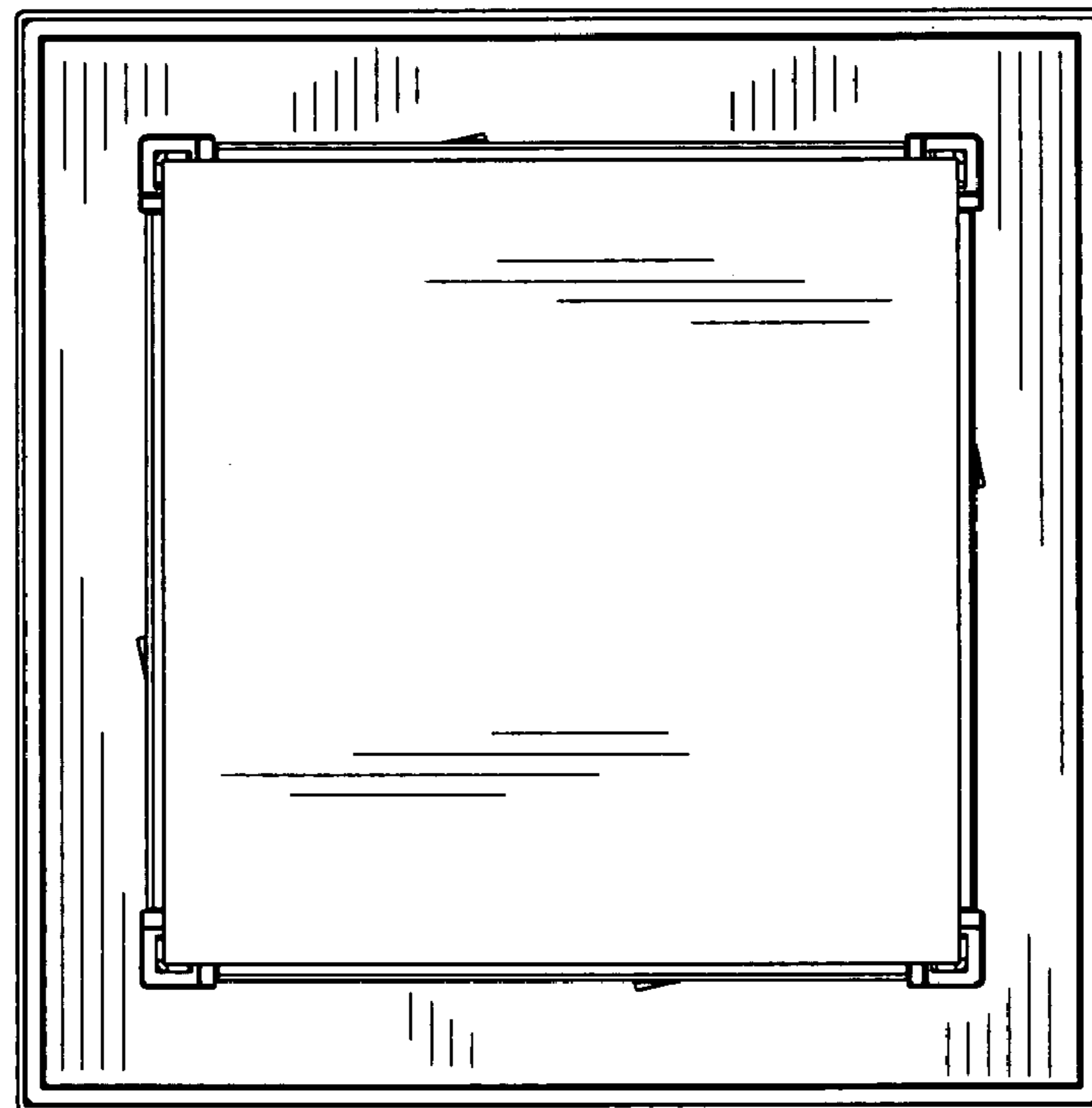


FIG. 6