

US00D563584S

(12) **United States Design Patent**  
**Lee et al.**

(10) **Patent No.: US D563,584 S**  
(45) **Date of Patent: \*\* Mar. 4, 2008**

(54) **SOLAR-POWERED OUTDOOR LIGHT**

D553,286 S 10/2007 Chung et al.

(75) Inventors: **Po Sum Lee**, Hong Kong (CN); **Wai Wah Chung**, Hong Kong (CN); **Kevin Kelley**, Frisco, TX (US)

OTHER PUBLICATIONS

Lantern #0L1810 WP on page 247 of the 2004 Edition of the Murray-Feiss "Big Book" Catalog.\*

(73) Assignee: **The Brinkmann & Corporation**, Dallas, TX (US)

\* cited by examiner

(\*\*) Term: **14 Years**

*Primary Examiner*—Clare E Heflin

(21) Appl. No.: **29/286,927**

(74) *Attorney, Agent, or Firm*—Sheppard, Mullin, Richter & Hampton LLP

(22) Filed: **May 21, 2007**

(57) **CLAIM**

(51) **LOC (8) Cl.** ..... **26-05**

We claim the ornamental design for a solar-powered outdoor light, as shown and described.

(52) **U.S. Cl.** ..... **D26/67; D26/85**

**DESCRIPTION**

(58) **Field of Classification Search** ..... D26/40,  
D26/67, 68, 72, 85, 87, 92; 362/152, 157,  
362/180, 183, 185, 186, 431

FIG. 1 is a perspective view of a first embodiment of a solar-powered outdoor light showing the new design;

See application file for complete search history.

FIG. 2 is a right side elevational view thereof, the left side elevational view being a mirror image thereof;

(56) **References Cited**

U.S. PATENT DOCUMENTS

- D63,263 S 11/1923 Mohrmann
- D360,048 S 7/1995 Messina, Jr.
- D457,676 S 5/2002 Cheong
- D458,702 S 6/2002 Ellis
- D461,578 S 8/2002 Cheong
- D465,053 S \* 10/2002 Miranda ..... D26/87
- D465,296 S \* 11/2002 DiPasquale ..... D26/67
- D468,043 S 12/2002 Krieger et al.
- D468,470 S 1/2003 Chen
- D469,907 S 2/2003 Chen
- D475,797 S 6/2003 Cheong
- D477,683 S 7/2003 Cheong et al.
- D477,890 S 7/2003 Cheong et al.
- D482,478 S 11/2003 Cheong et al.
- D490,556 S 5/2004 Cheong et al.
- D494,699 S \* 8/2004 Hon et al. .... D26/67
- D504,189 S \* 4/2005 Hon et al. .... D26/67

FIG. 3 is a front elevational view thereof, the rear elevational view being a mirror image thereof;

FIG. 4 is a top plan view thereof;

FIG. 5 is a bottom plan view thereof;

FIG. 6 is a perspective view of a second embodiment of a solar-powered outdoor light showing the design;

FIG. 7 is a right side elevational view of FIG. 6, the left side elevational view being a mirror image thereof;

FIG. 8 is a front elevational view of FIG. 6,

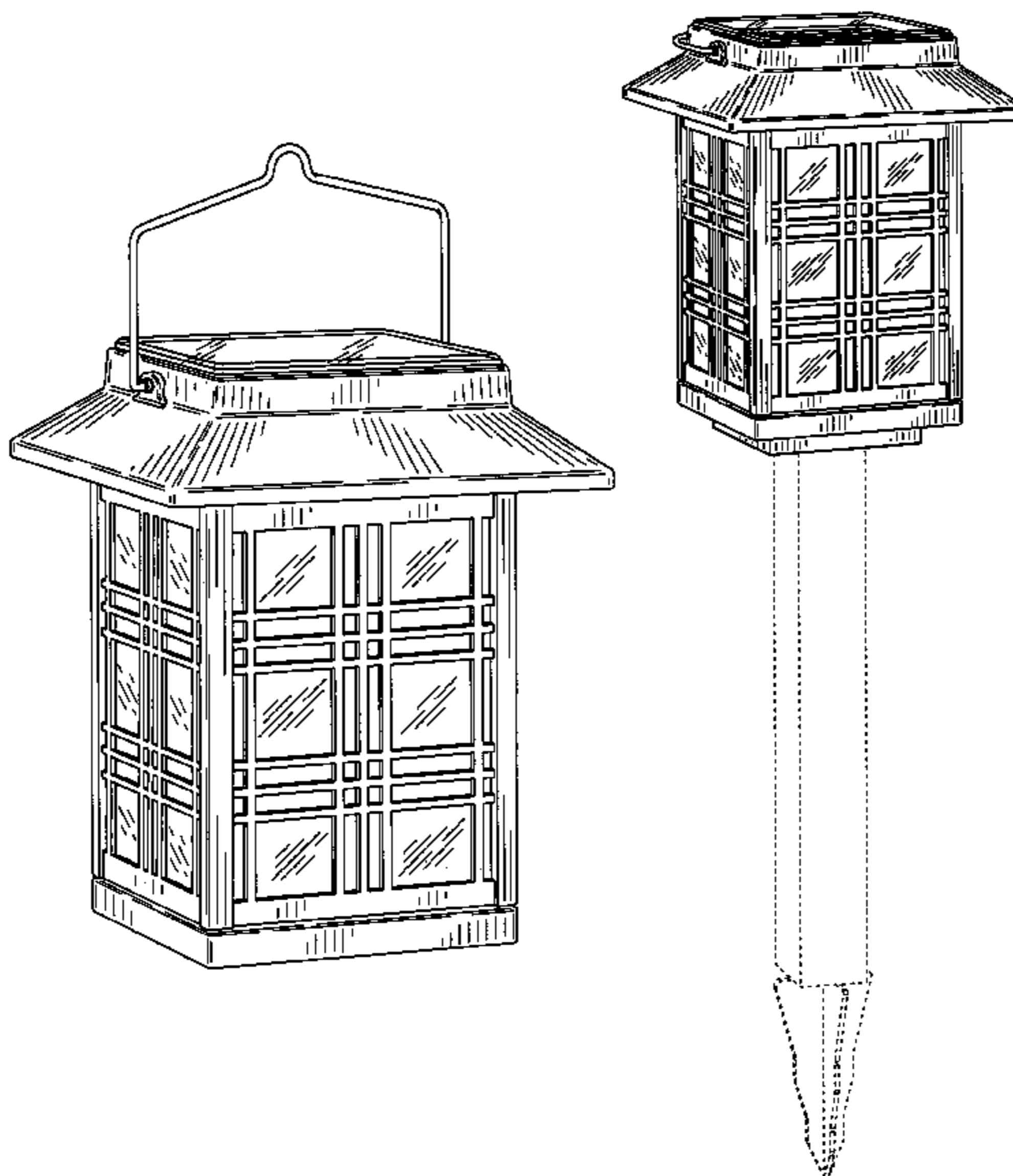
FIG. 9 is a rear elevational view of FIG. 6;

FIG. 10 is a top plan view of FIG. 6; and,

FIG. 11 is a bottom plan view of FIG. 6.

The dotted lines are for illustrative purposes only and form no part of the claimed design.

**1 Claim, 6 Drawing Sheets**



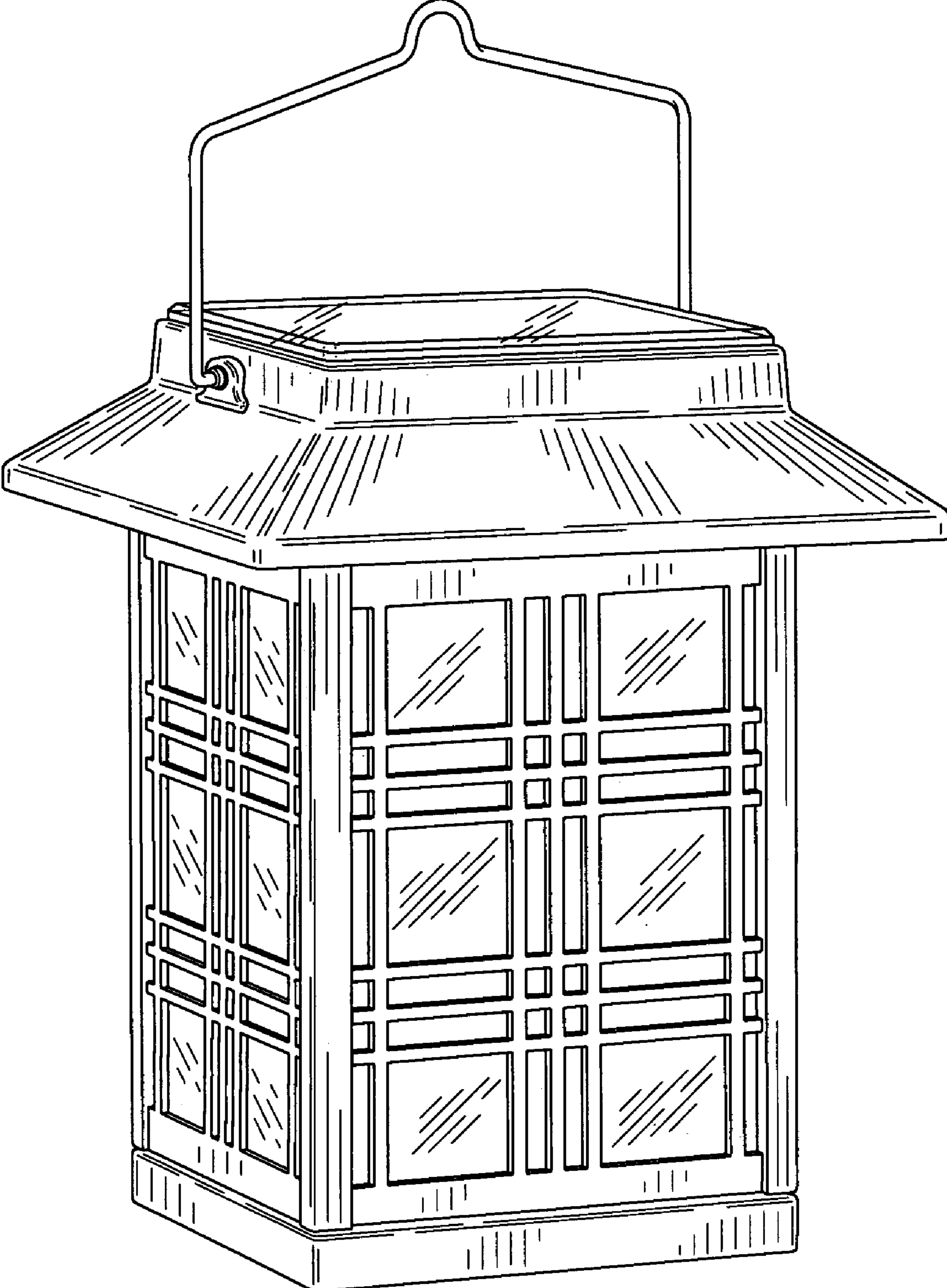


FIG. 1

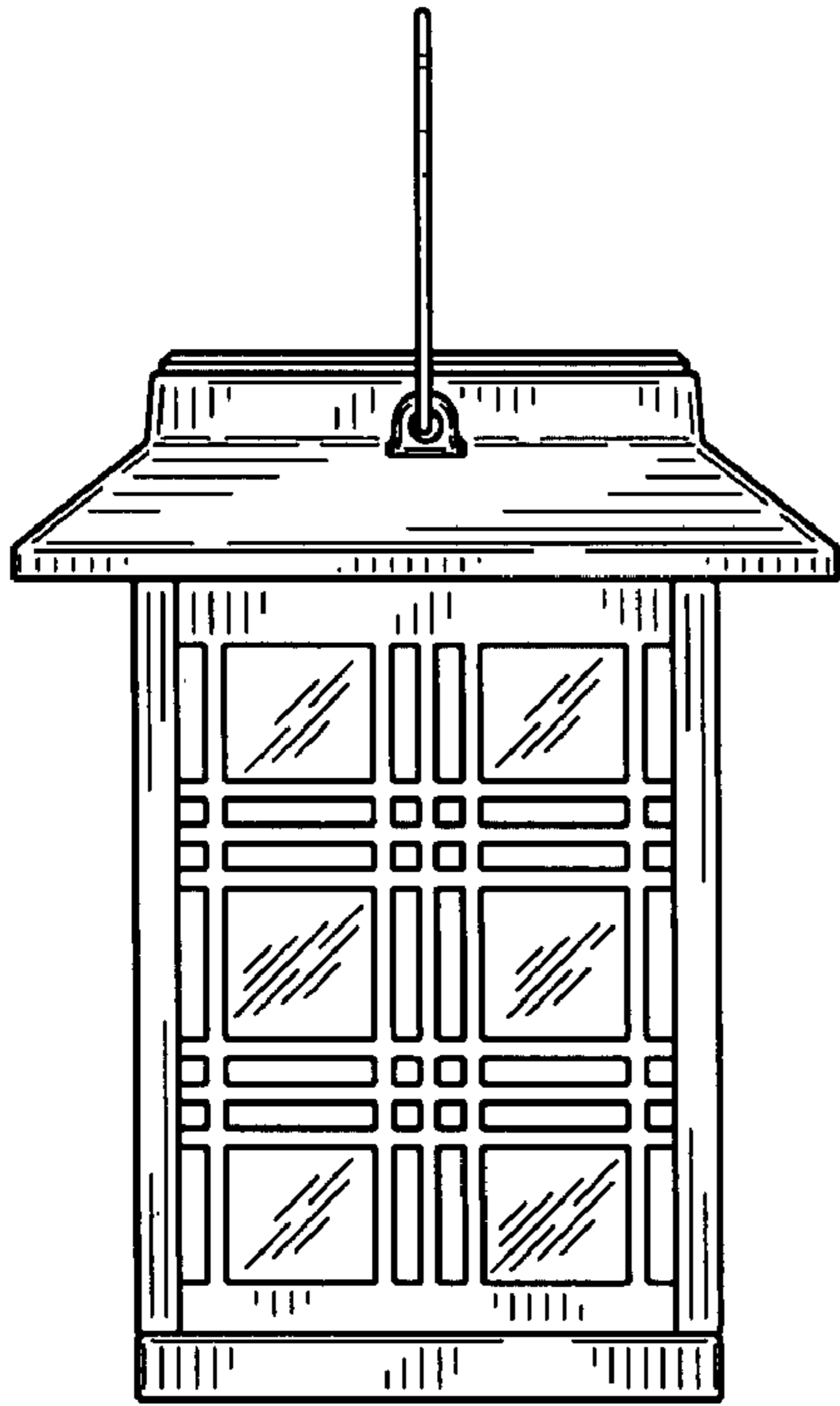


FIG. 2

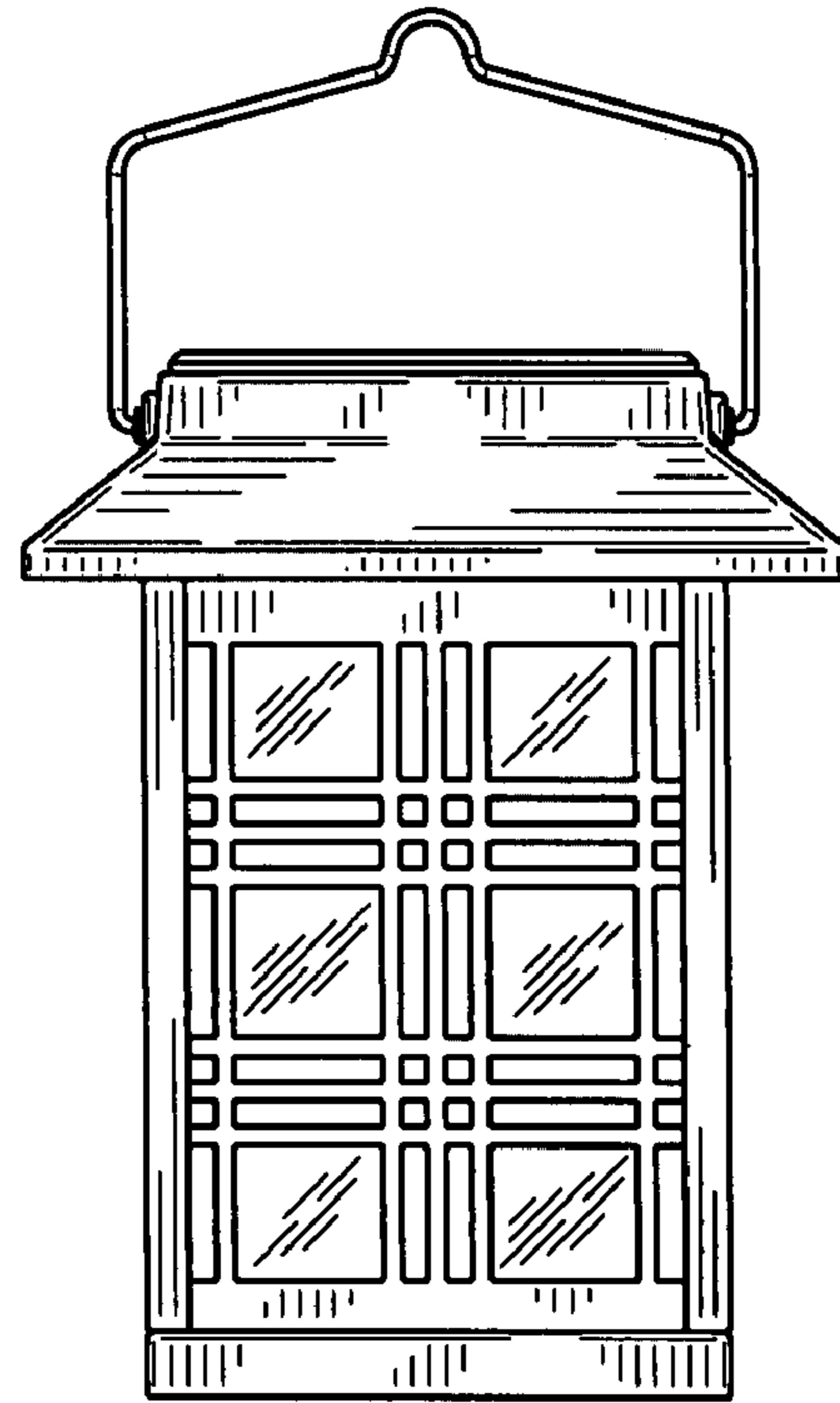


FIG. 3

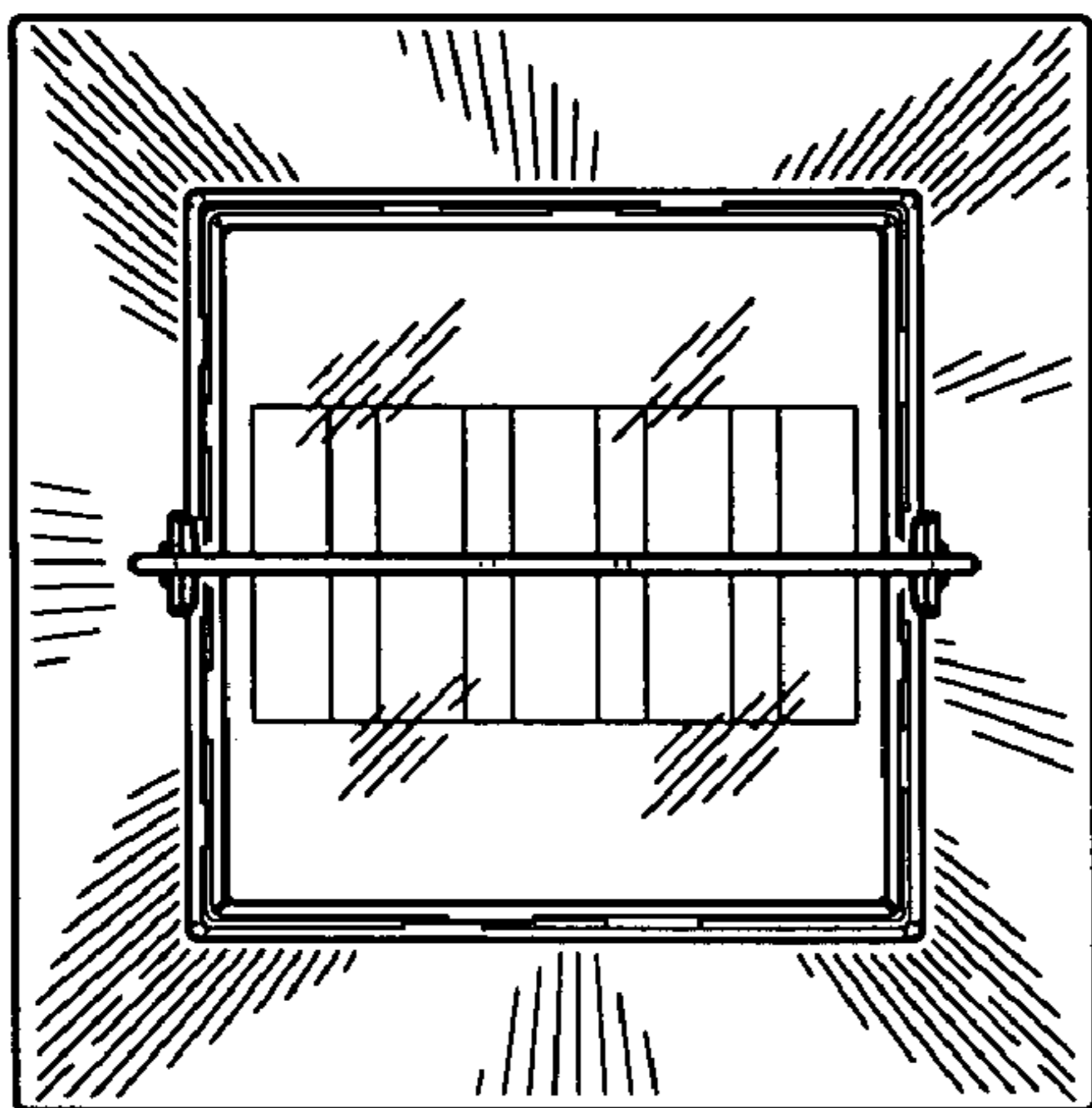


FIG. 4

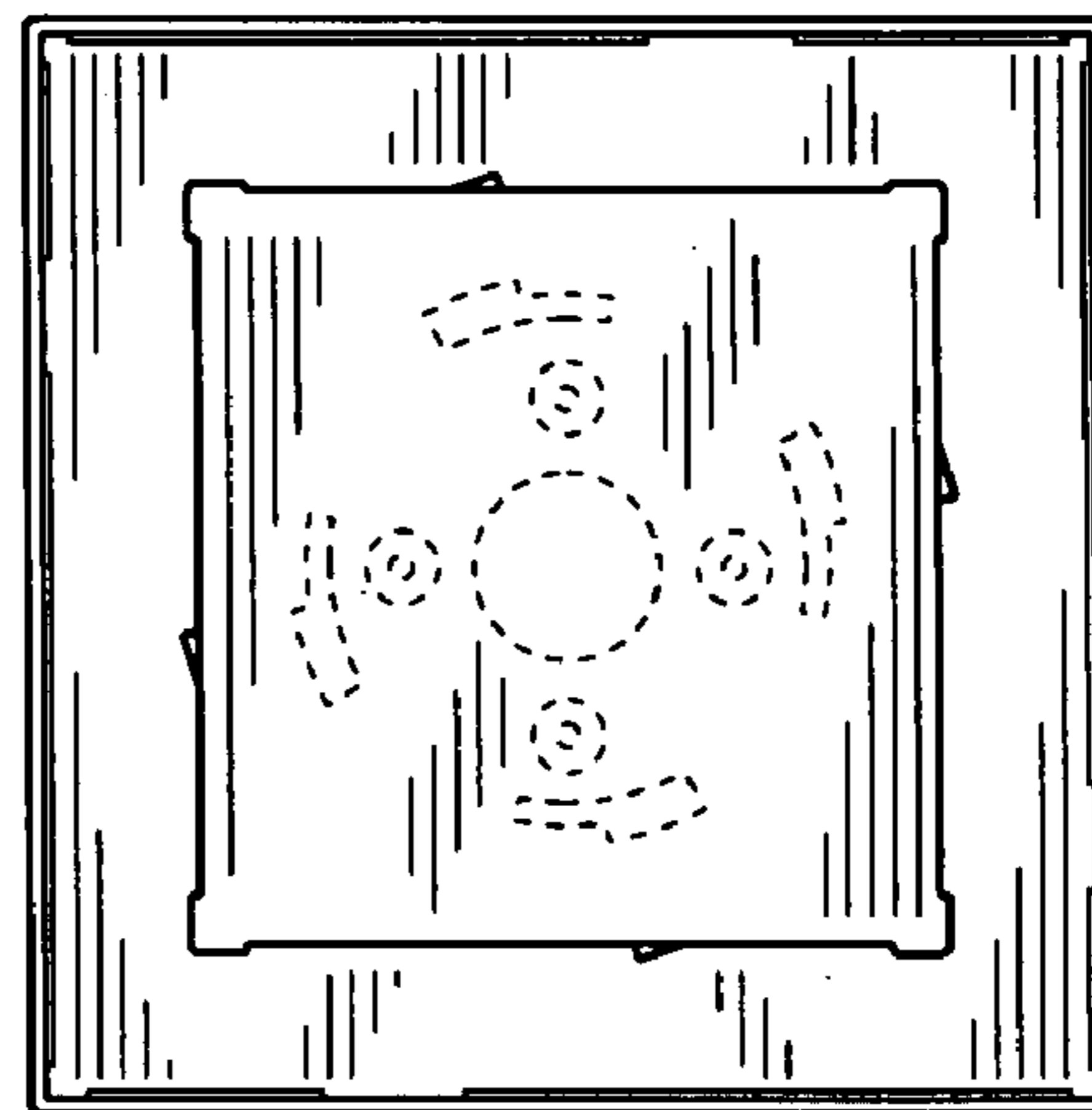


FIG. 5

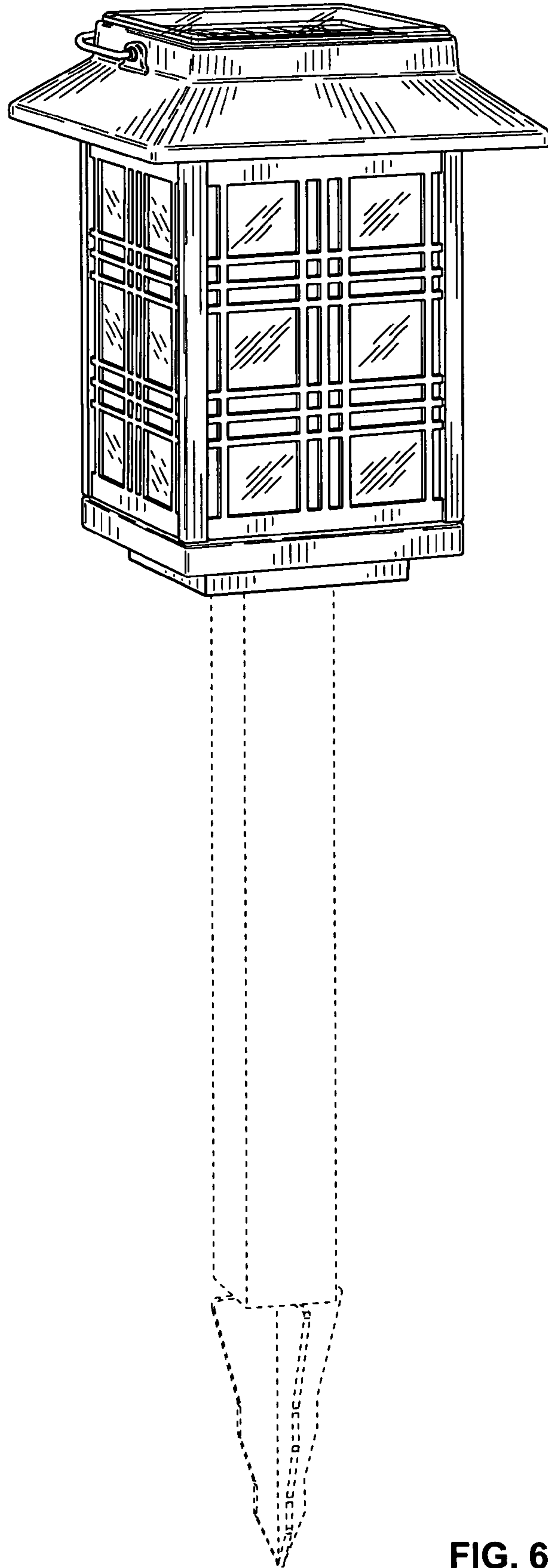


FIG. 6

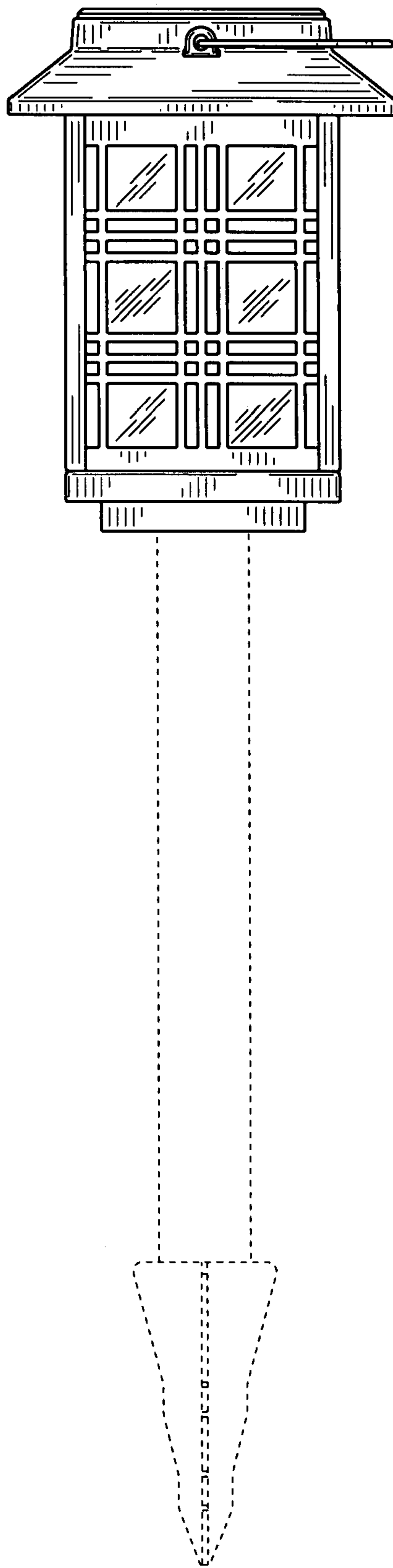


FIG. 7

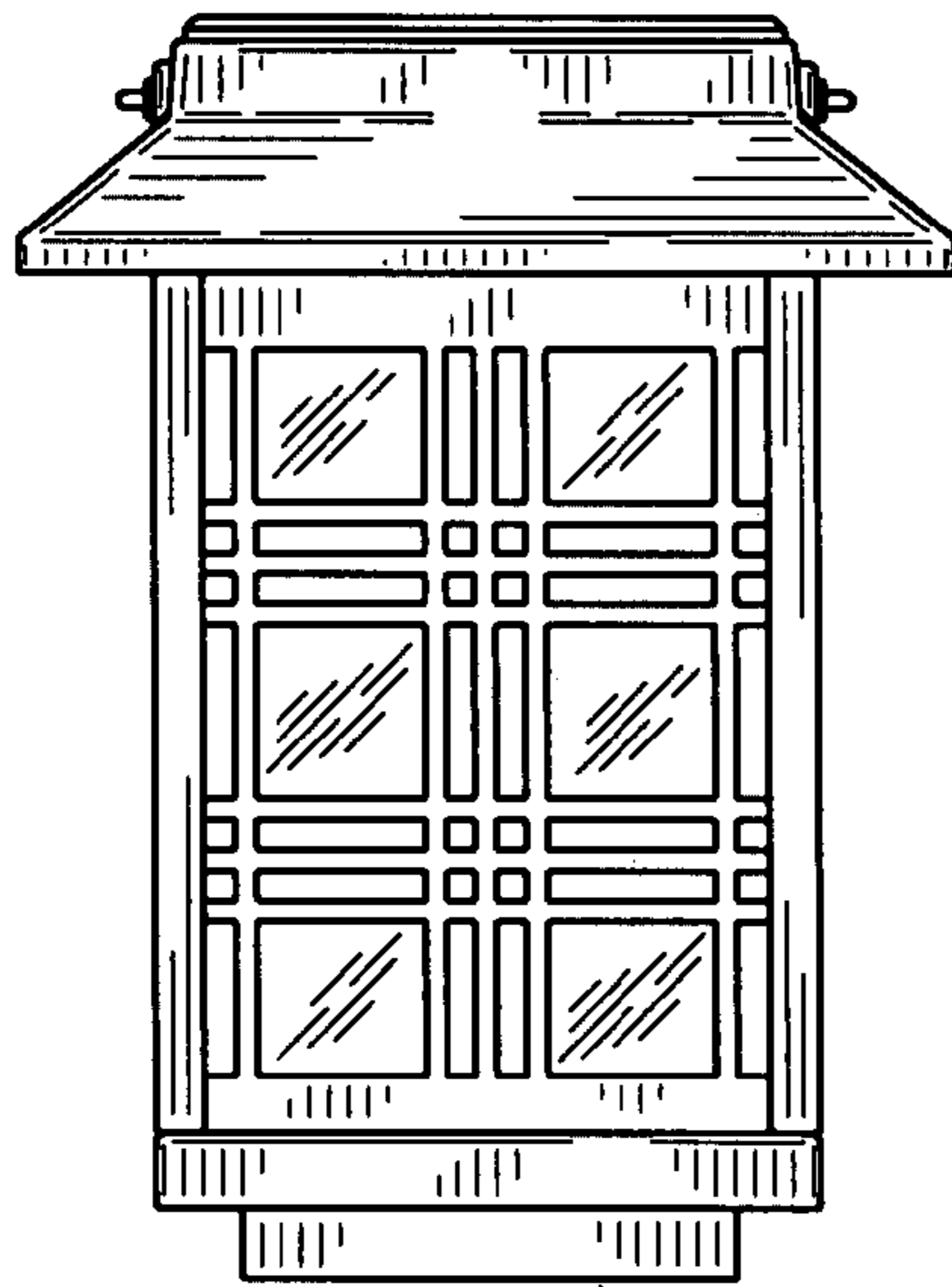


FIG. 8

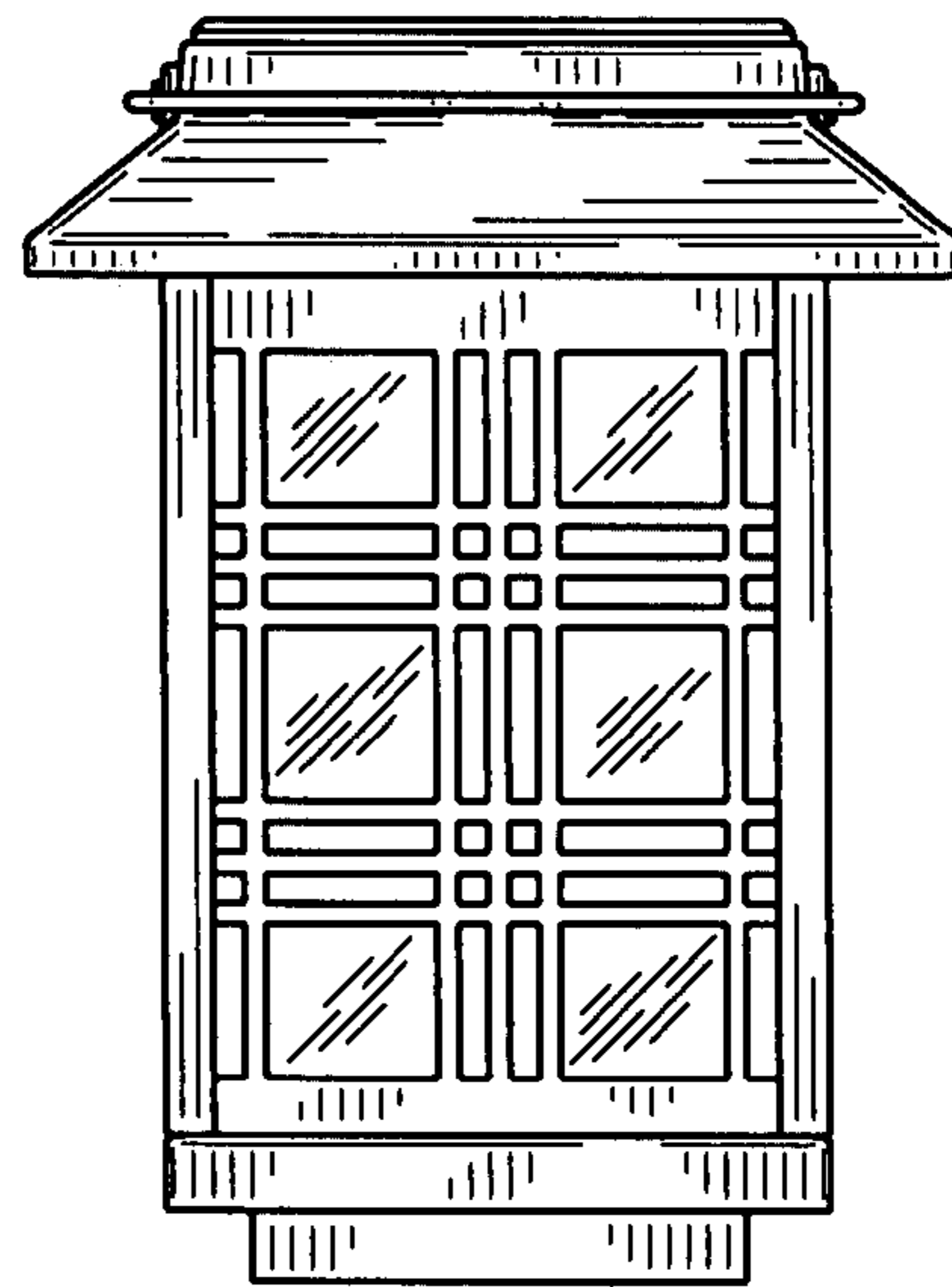
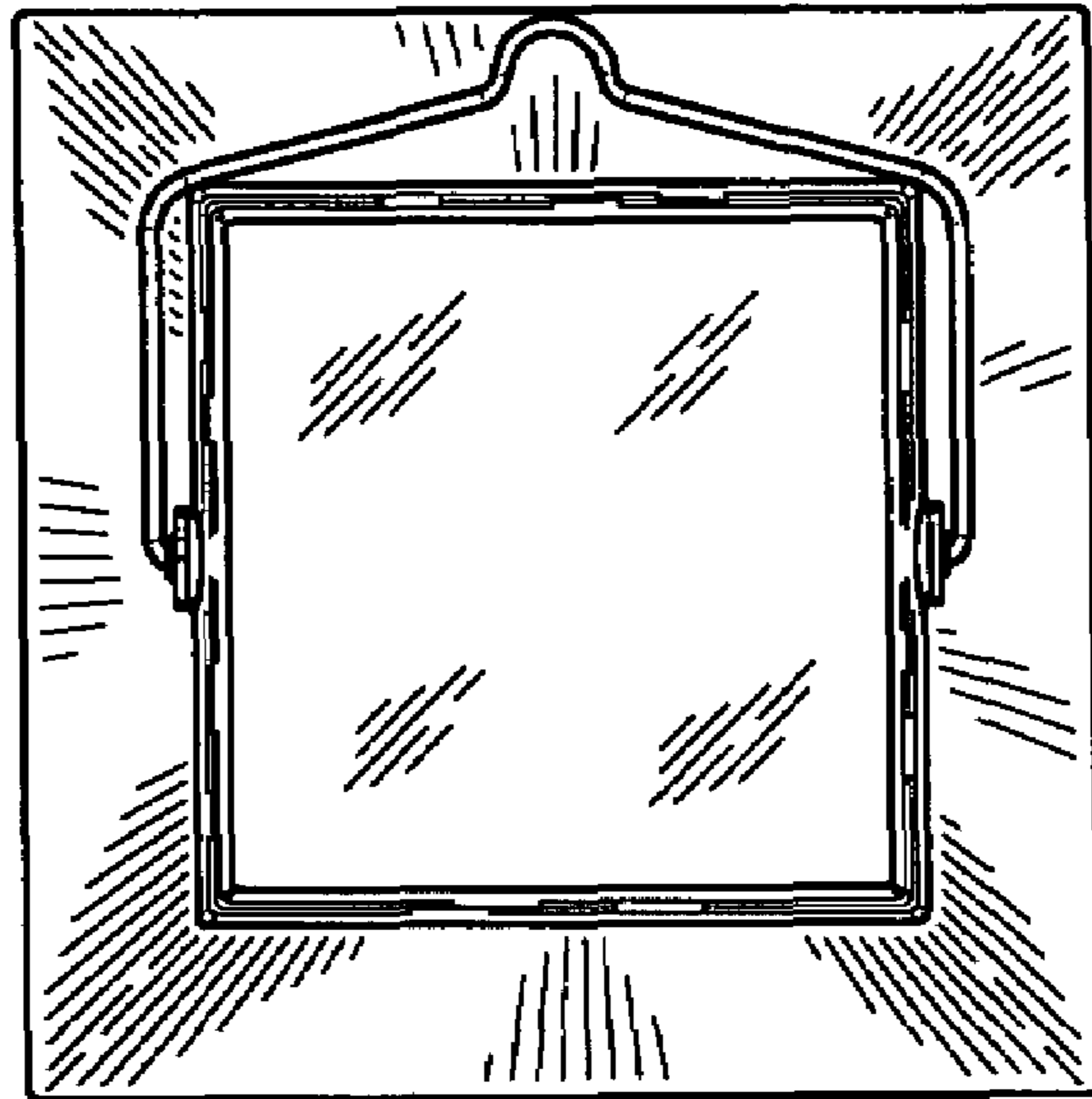
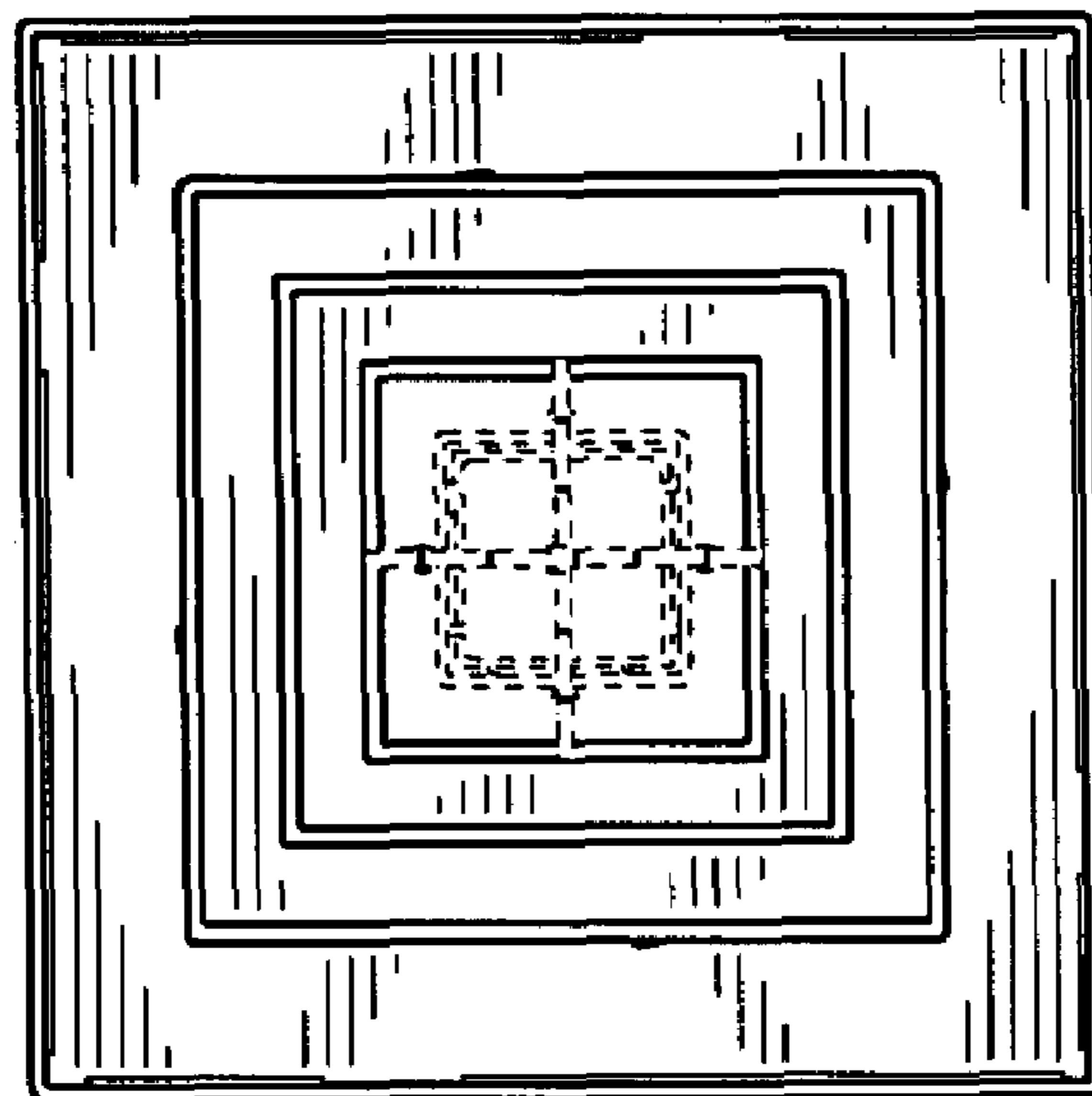


FIG. 9



**FIG. 10**



**FIG. 11**