



US00D563583S

(12) **United States Design Patent**
Iai et al.

(10) **Patent No.:** **US D563,583 S**
(45) **Date of Patent:** **** Mar. 4, 2008**

(54) **TABLE LAMP**

(75) Inventors: **Toru Iai**, Nishinomiya (JP); **Naruka Otsuki**, Nishinomiya (JP)

(73) Assignee: **Matsushita Electric Works, Ltd.**, Kadoma-shi, Osaka (JP)

(**) Term: **14 Years**

(21) Appl. No.: **29/257,853**

(22) Filed: **Apr. 12, 2006**

(30) **Foreign Application Priority Data**

Feb. 20, 2006 (JP) 2006-003882

(51) **LOC (8) Cl.** **26-05**

(52) **U.S. Cl.** **D26/65**

(58) **Field of Classification Search** D26/60-66,
D26/107, 138, 142; 362/410, 411, 412, 413,
362/414, 418, 427, 269, 275, 287, 419, 277,
362/282, 285, 371, 804

See application file for complete search history.

(56) **References Cited**

U.S. PATENT DOCUMENTS

D337,843 S * 7/1993 Huang D26/65
D382,362 S * 8/1997 Huang D26/65
D443,385 S * 6/2001 Maruyama D26/109
D490,926 S * 6/2004 Katsura et al. D26/63

* cited by examiner

Primary Examiner—Cathron Brooks

Assistant Examiner—Barbara Fox

(74) *Attorney, Agent, or Firm*—Edwards Angell Palmer & Dodge LLP

(57) **CLAIM**

The ornamental design for a table lamp, as shown and described.

DESCRIPTION

FIG. 1 is a perspective view of the table lamp of the present invention;

FIG. 2 is a right side view thereof;

FIG. 3 is a front view thereof;

FIG. 4 is a top view thereof;

FIG. 5 is a left side view thereof;

FIG. 6 is a bottom view thereof;

FIG. 7 is a back view thereof;

FIG. 8 is a sectional view along line 8—8 of FIG. 7;

FIG. 9 is a top view showing the table lamp in an alternate position;

FIG. 10 is a top view showing the table lamp in another alternate position; and,

FIG. 11 is a right side view of the table lamp in an alternate position.

1 Claim, 10 Drawing Sheets

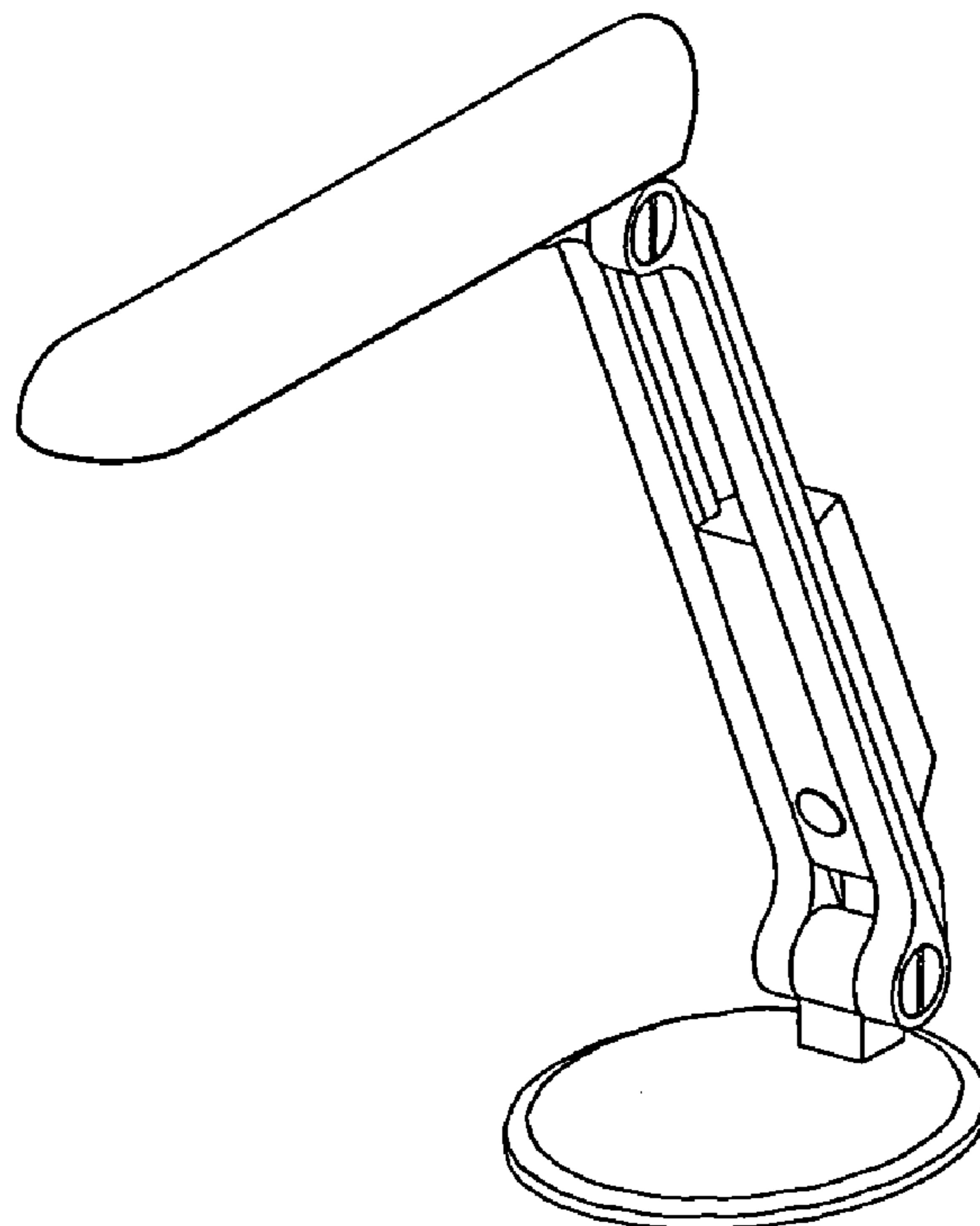


FIG.1

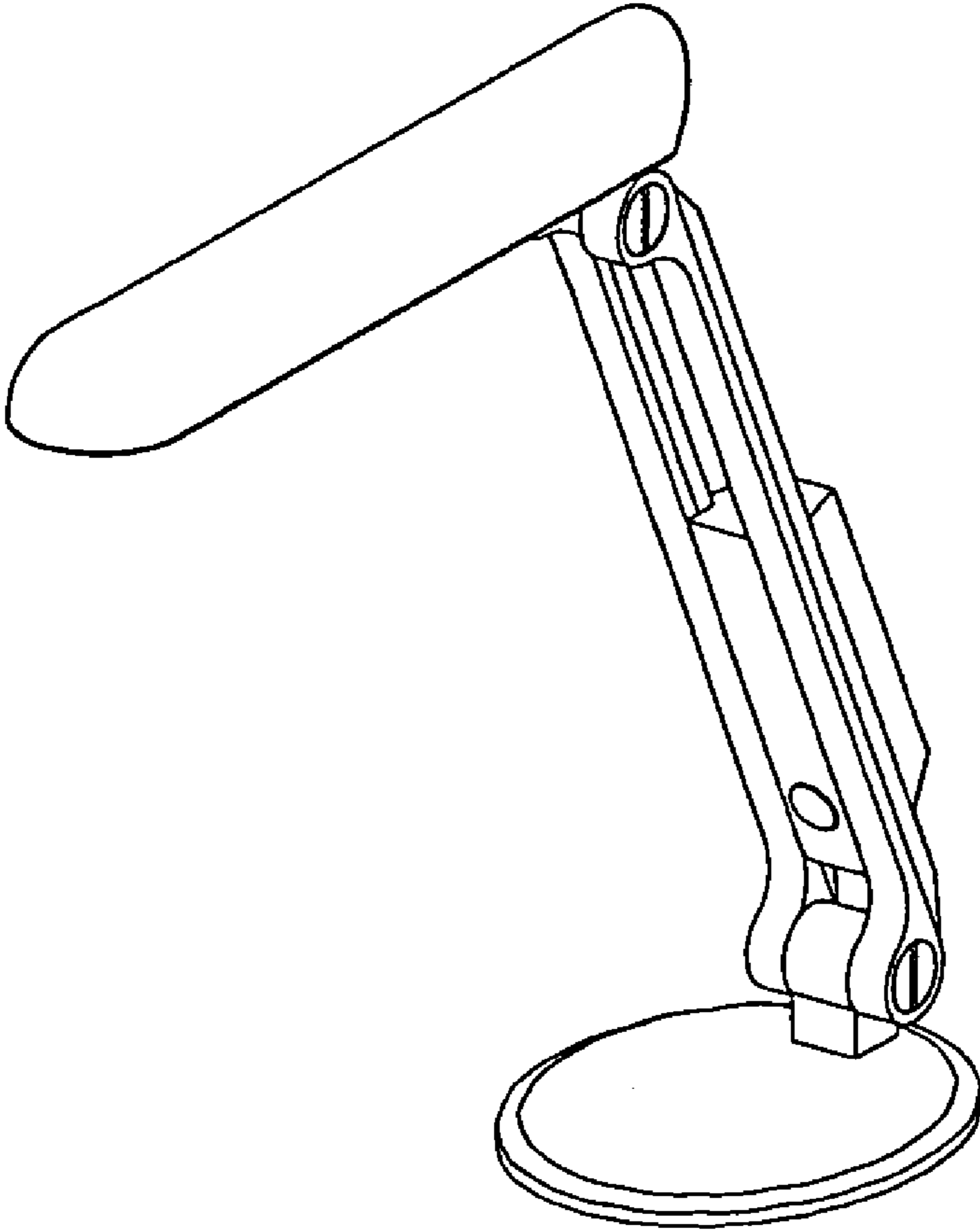


FIG.2

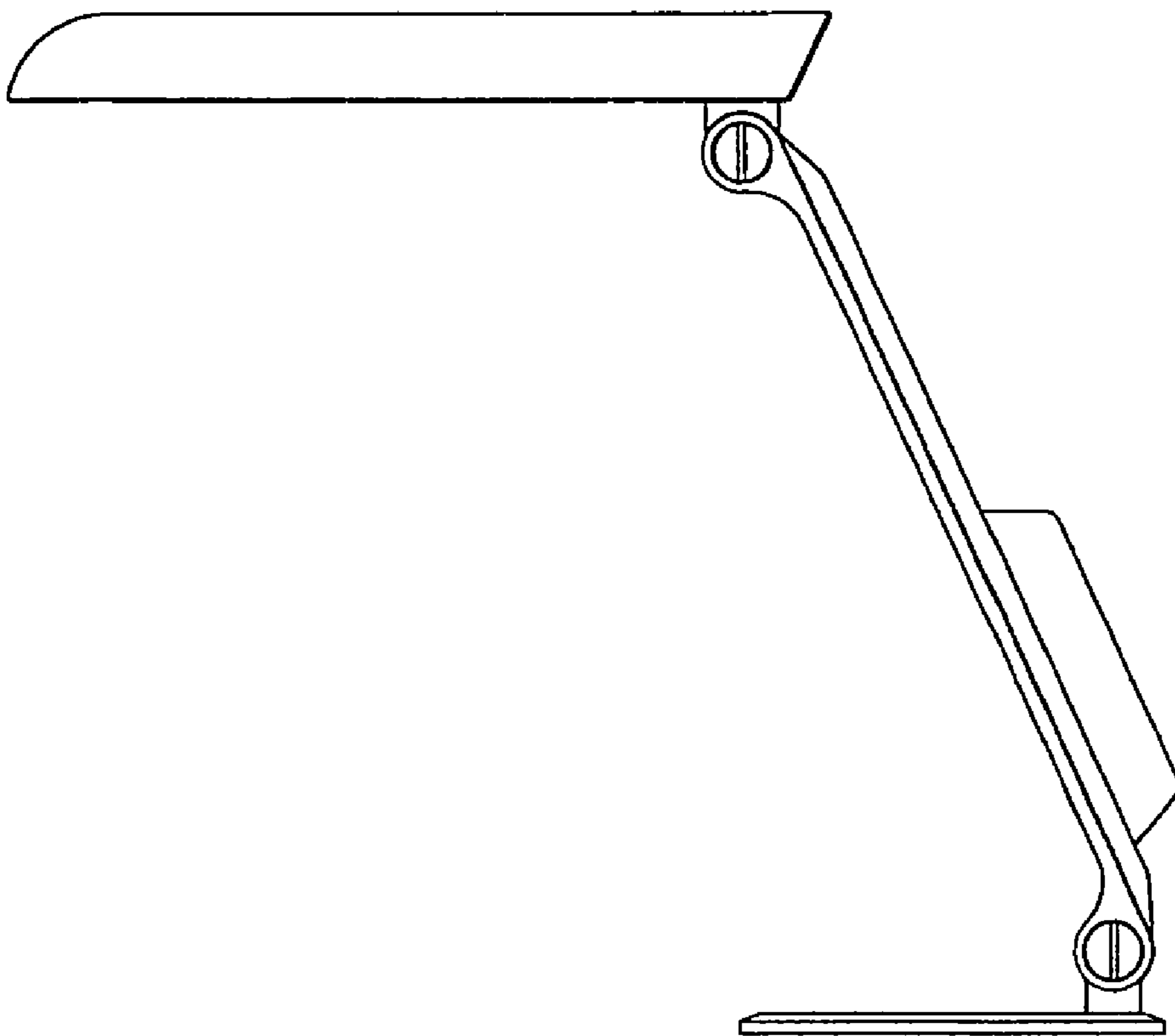


FIG.3

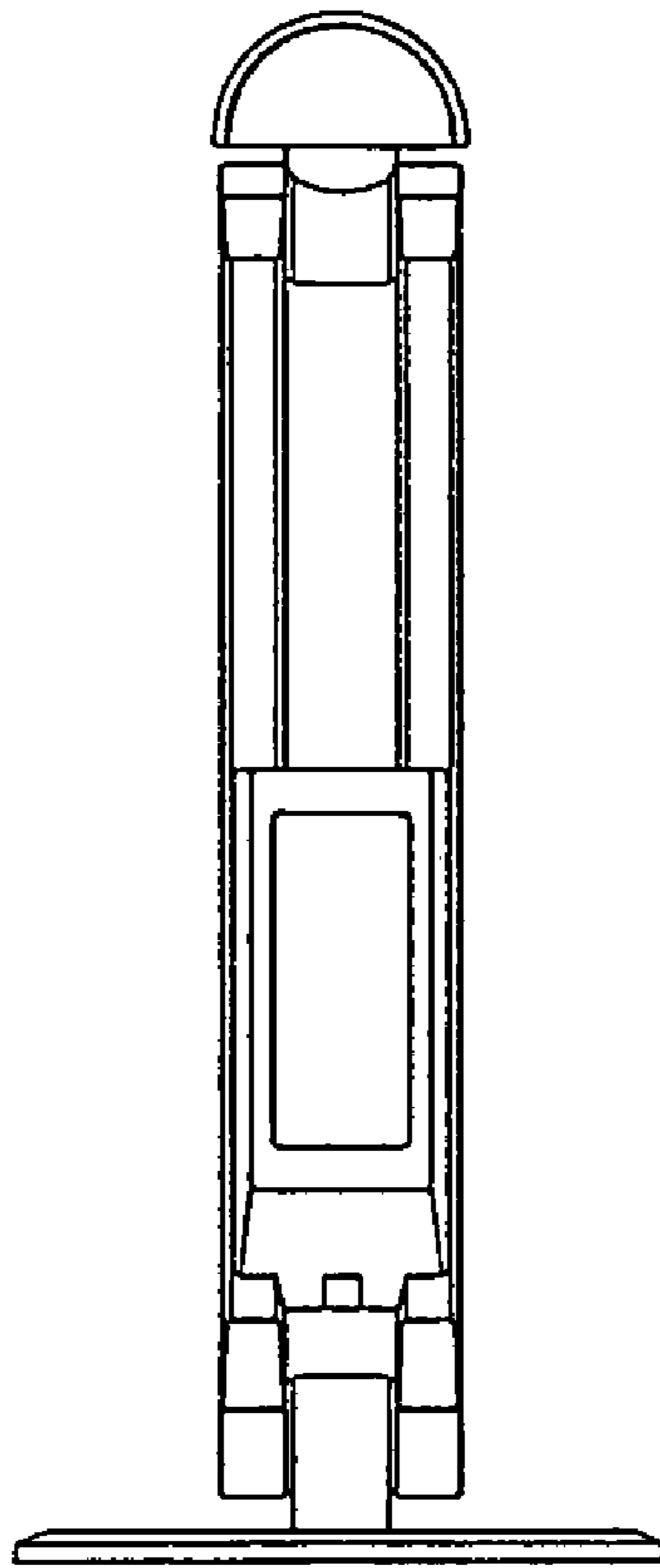


FIG.4

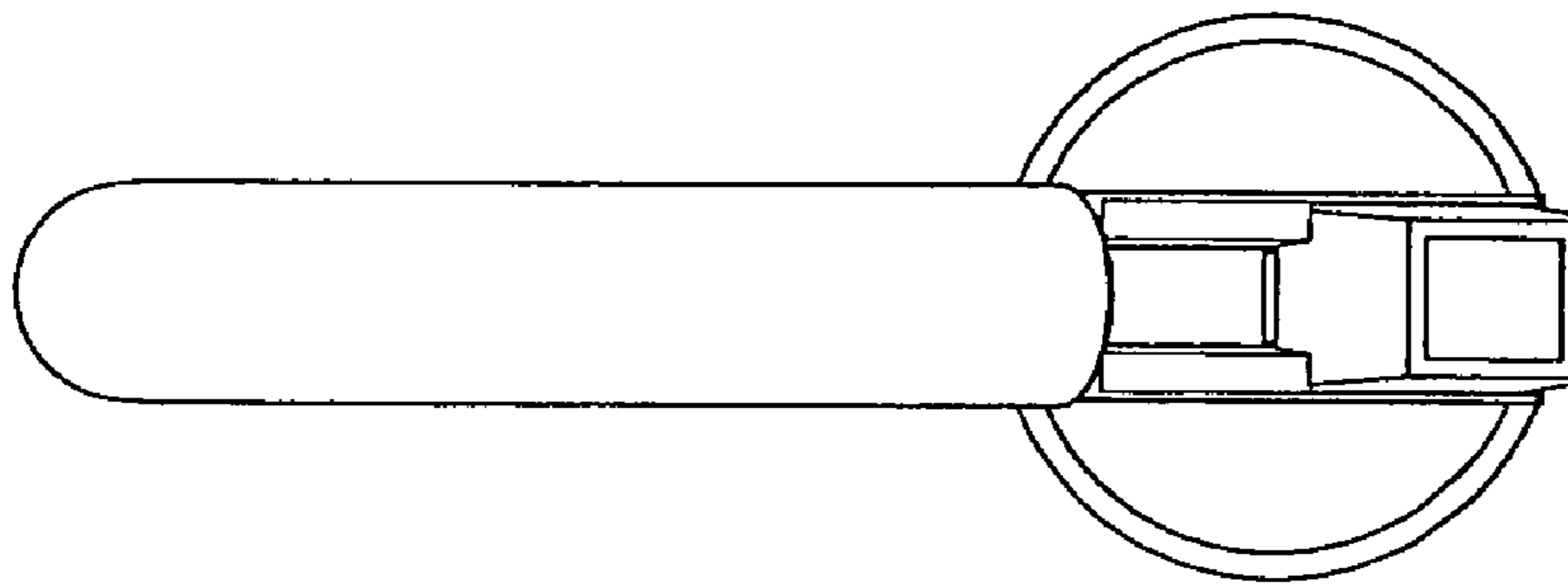


FIG.5

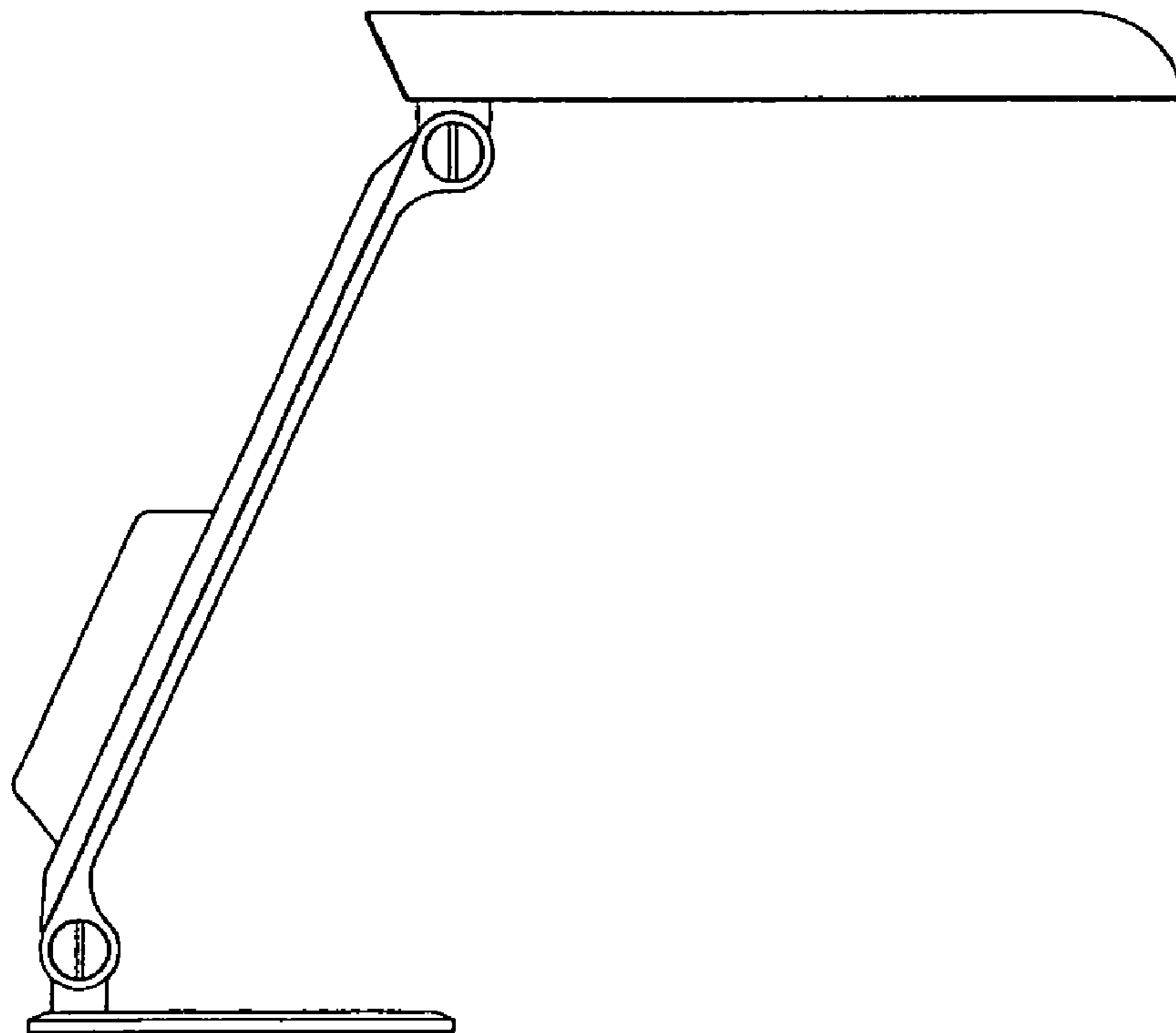


FIG.6

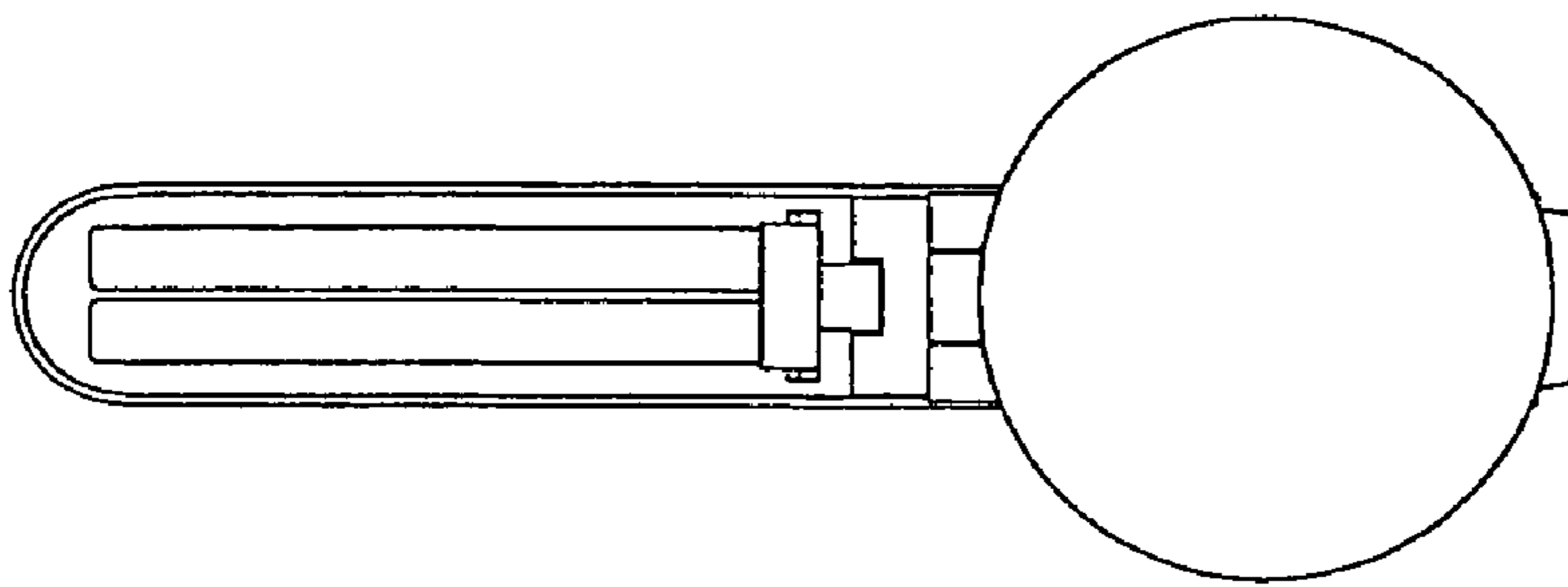


FIG. 7

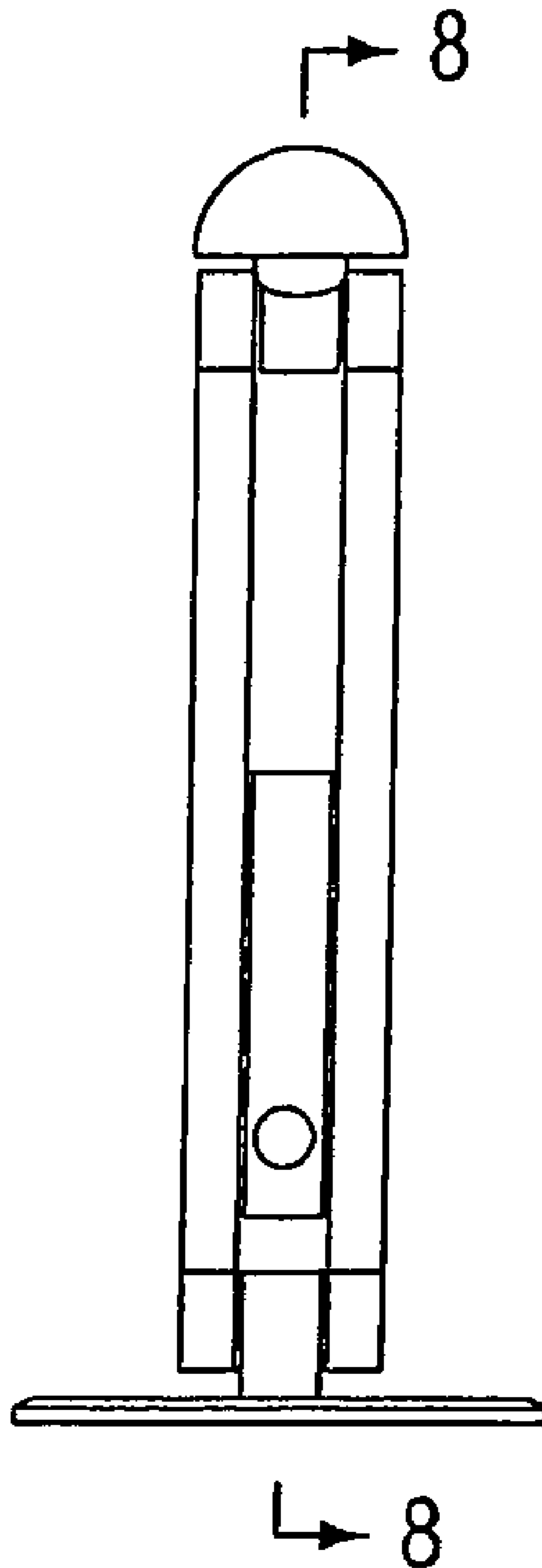


FIG.8

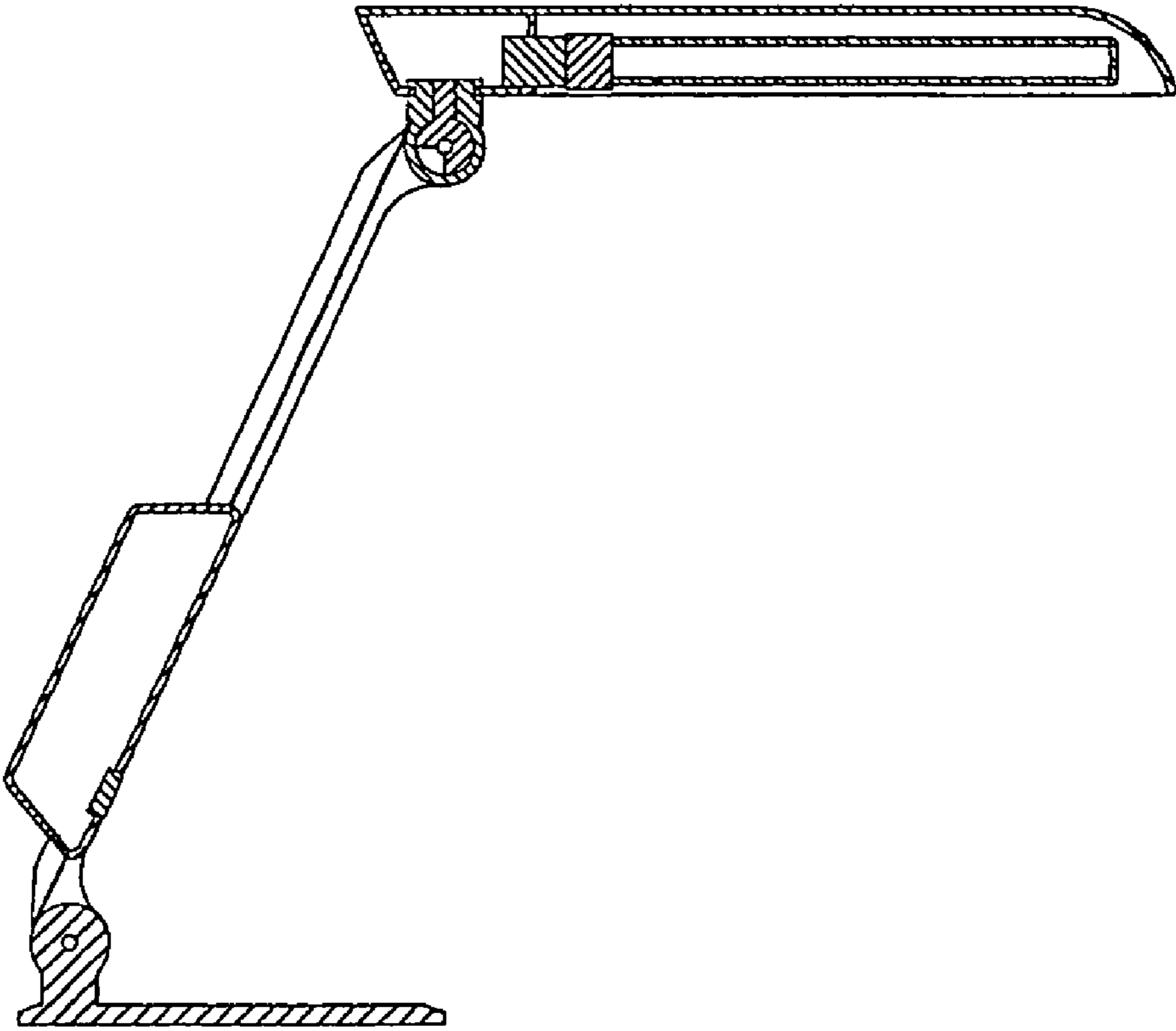


FIG. 9

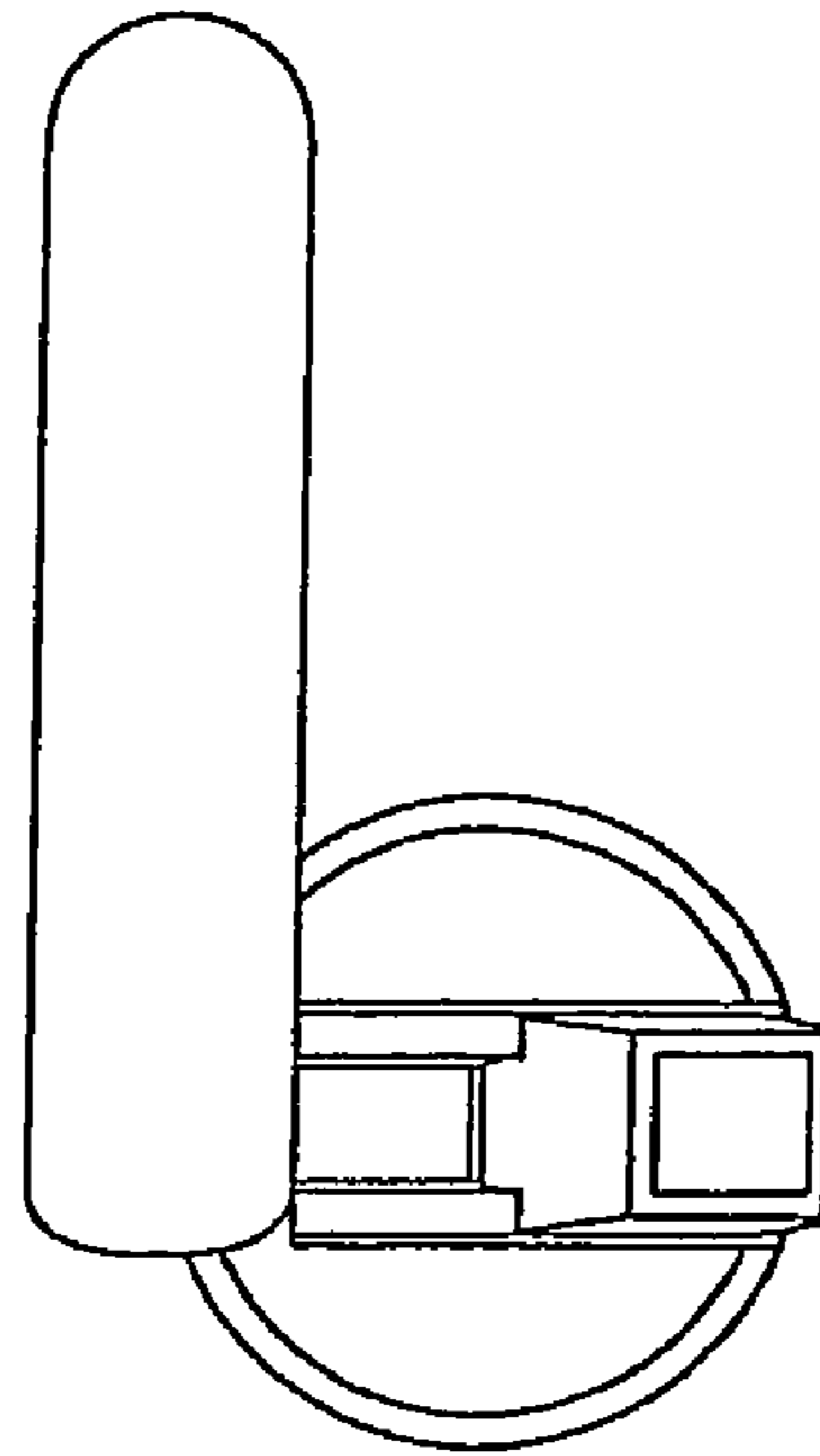


FIG. 10

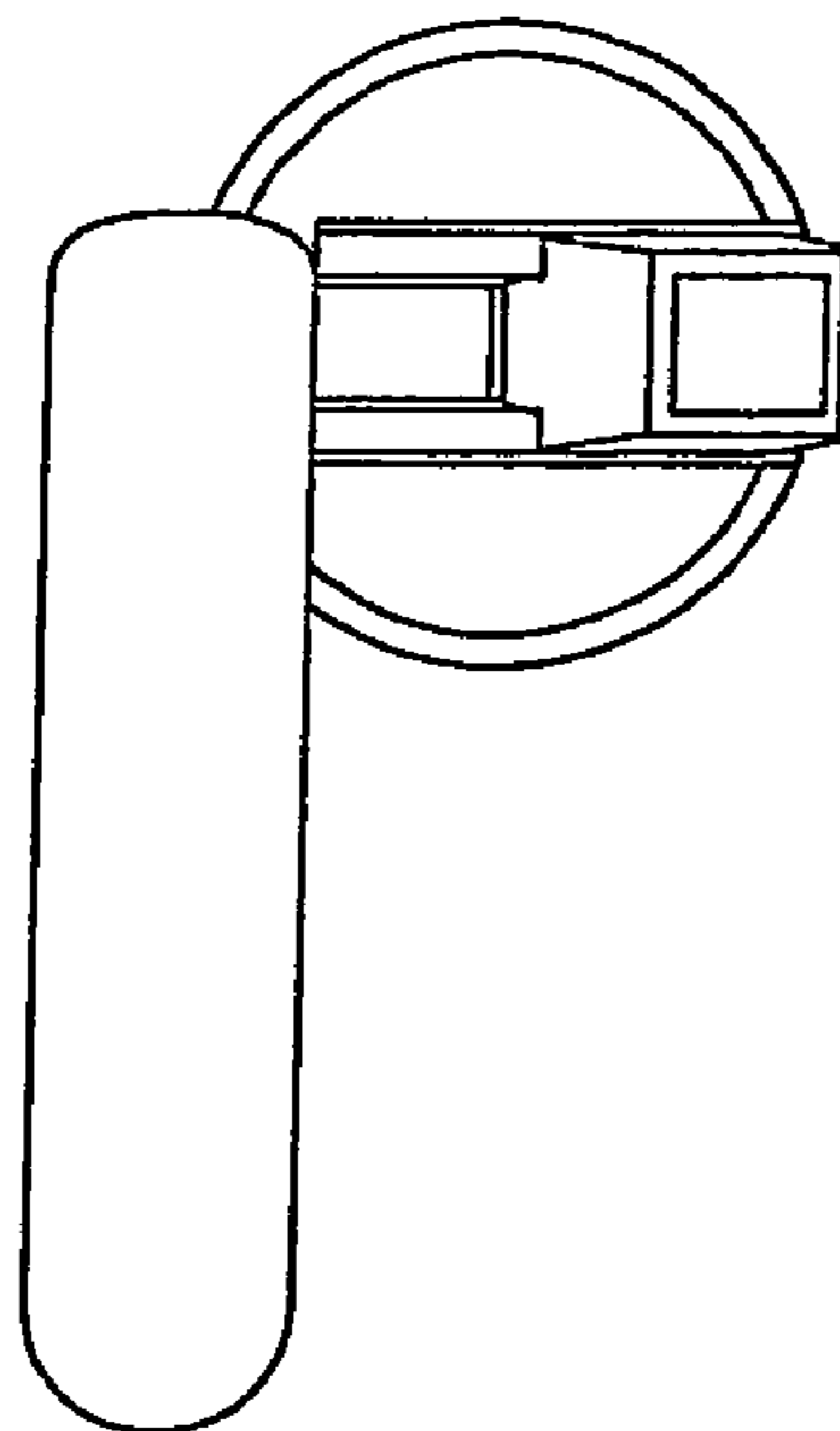


FIG. 11

