



US00D563580S

(12) **United States Design Patent**  
**Prazoff**

(10) **Patent No.:** **US D563,580 S**

(45) **Date of Patent:** **\*\* Mar. 4, 2008**

(54) **FLEXIBLE TRACK LIGHTING**

(75) Inventor: **Michael Prazoff**, Montreal (CA)

(73) Assignee: **L'Image Home Products, Inc.**,  
Montreal (CA)

(\*\*) Term: **14 Years**

(21) Appl. No.: **29/238,400**

(22) Filed: **Sep. 15, 2005**

(51) **LOC (8) Cl.** ..... **26-05**

(52) **U.S. Cl.** ..... **D26/61**

(58) **Field of Classification Search** ..... D26/24,  
D26/60-66, 72, 74, 80-92; 362/147, 432,  
362/364, 375, 387, 418, 419, 427, 428, 227,  
362/233, 235, 237, 238, 240, 241, 242, 244,  
362/245, 246, 249, 250, 257, 269, 270, 277,  
362/278

See application file for complete search history.

(56) **References Cited**

**U.S. PATENT DOCUMENTS**

D163,812 S *	7/1951	Mehr	.....	D26/63
5,329,434 A *	7/1994	Hong	.....	362/238
5,452,187 A *	9/1995	Belfer et al.	.....	362/221
D370,069 S	5/1996	Mier-Langner et al.		
D370,075 S *	5/1996	Mier-Langner et al.	.....	D26/63
5,548,500 A *	8/1996	MacKay	.....	362/427
D385,372 S	10/1997	Mier-Langner et al.		

(Continued)

**OTHER PUBLICATIONS**

Tech Lighting T-trak Website, Circa Jul. 2005.  
Tech Lighting Monorail Website, Circa Jul. 2005.

Reproduced Photographs of Items Pictured in Lamps Plus Track  
Lighting Website, Circa Jul. 2005.

*Primary Examiner*—Cathron Brooks

*Assistant Examiner*—Barbara Fox

(74) *Attorney, Agent, or Firm*—Cook, Alex, McFarron,  
Manzo, Cummings & Mehler, Ltd.

(57) **CLAIM**

The ornamental design for a flexible track lighting, as shown  
and described.

**DESCRIPTION**

FIG. 1 is a front perspective view of a flexible track lighting  
according to my new design;

FIG. 2 is a front elevational view of the flexible track  
lighting shown in FIG. 1;

FIG. 3 is a rear elevational view of the flexible track lighting  
shown in FIG. 1;

FIG. 4 is a top plan view of the flexible track lighting shown  
in FIG. 1;

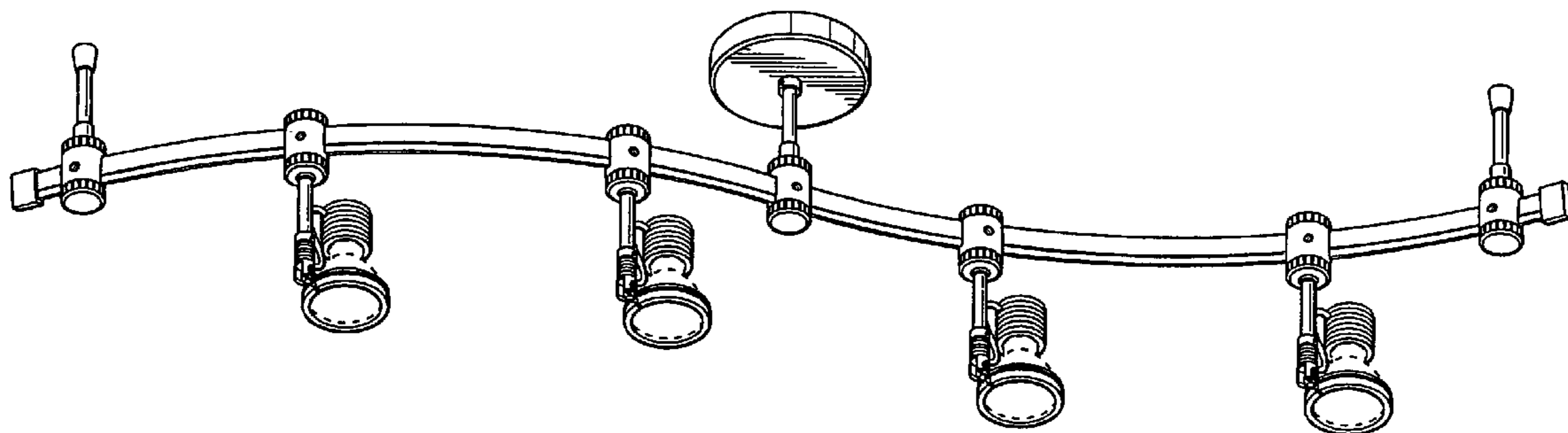
FIG. 5 is a bottom plan view of the flexible track lighting  
shown in FIG. 1;

FIG. 6 is a right side elevational view of the flexible track  
lighting shown in FIG. 1; and,

FIG. 7 is a left side elevational view of the flexible track  
lighting shown in FIG. 1.

The broken lines shown in the drawings illustrate unclaimed  
portions of the article and form no part of the claimed  
design. It is understood that the horizontal support track is  
flexible and that the curve shown in the one embodiment is  
representative of one undulatory configuration.

**1 Claim, 4 Drawing Sheets**



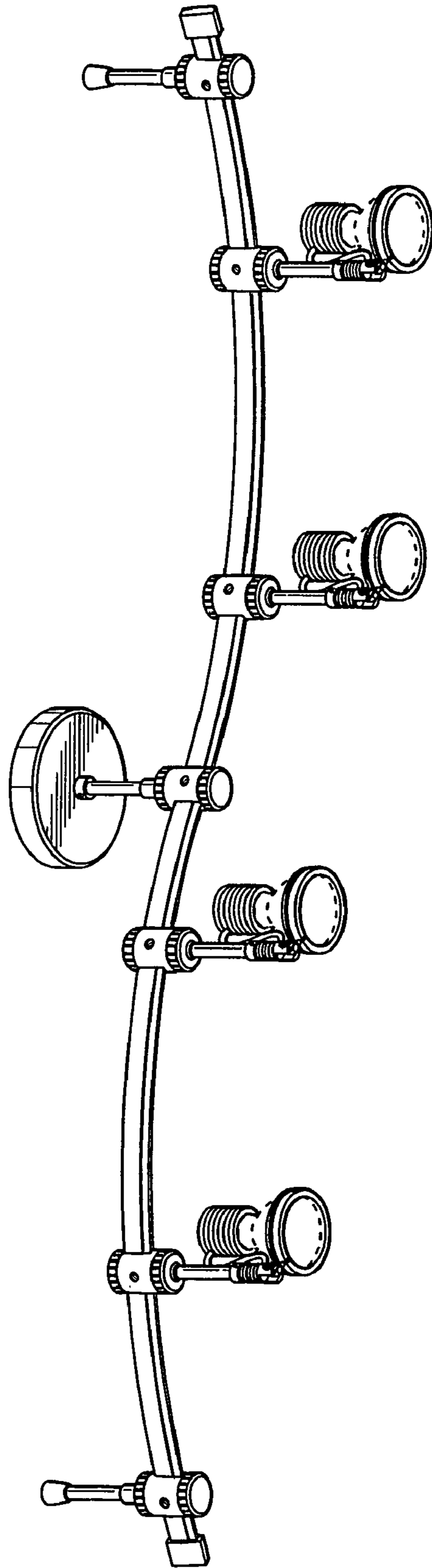
# US D563,580 S

Page 2

## U.S. PATENT DOCUMENTS

5,702,177	A *	12/1997	Lin	.....	362/648	D541,458	S *	4/2007	Benghozi	.....	D26/63
D402,384	S *	12/1998	Chen	.....	D26/63	D541,460	S *	4/2007	Benghozi	.....	D26/63
D442,717	S *	5/2001	Binsukor	.....	D26/63	7,198,386	B2 *	4/2007	Zampini et al.	.....	362/294
6,244,733	B1 *	6/2001	Fong et al.	.....	362/391	D542,456	S *	5/2007	Swanson	.....	D26/65
D465,867	S *	11/2002	Ward	.....	D26/63	7,246,935	B2 *	7/2007	Benghozi et al.	.....	362/648
6,648,492	B1 *	11/2003	Shih	.....	362/397	2003/0031018	A1 *	2/2003	Bray et al.	.....	362/391
D532,374	S *	11/2006	Lee	.....	D13/134	2004/0160767	A1	8/2004	Mobarak et al.		
7,172,332	B2 *	2/2007	Mobarak et al.	.....	362/649	2004/0218395	A1	11/2004	Westerheide		
D541,457	S *	4/2007	Benghozi	.....	D26/63	2006/0285319	A1 *	12/2006	Chou	.....	362/147

\* cited by examiner



*Fig. 1*

Fig. 2

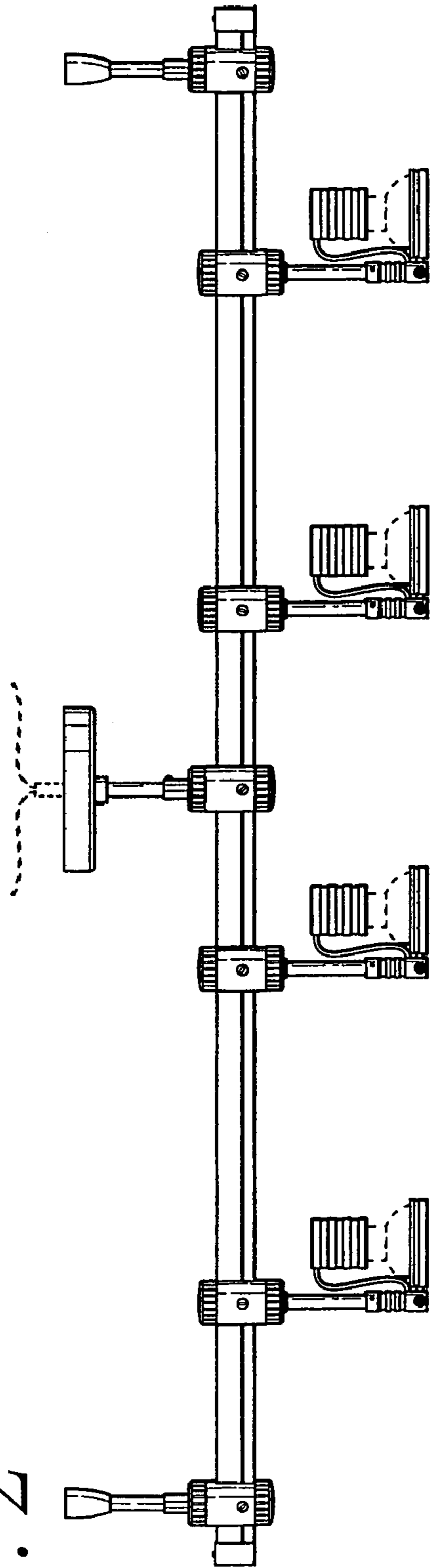


Fig. 3

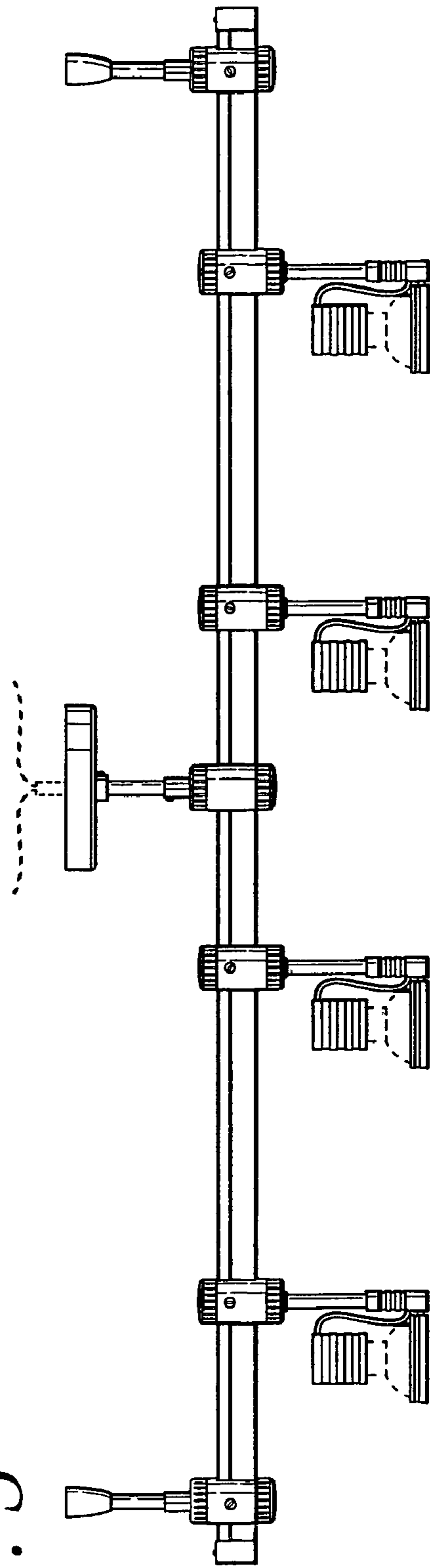


Fig. 4

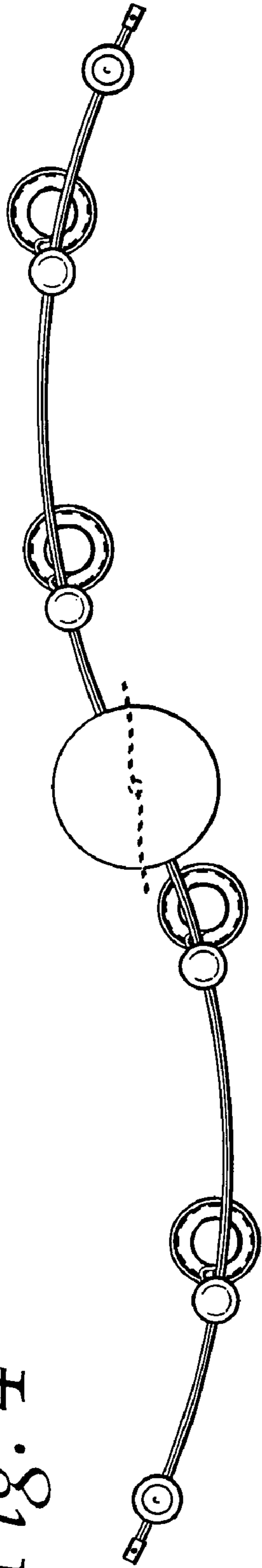
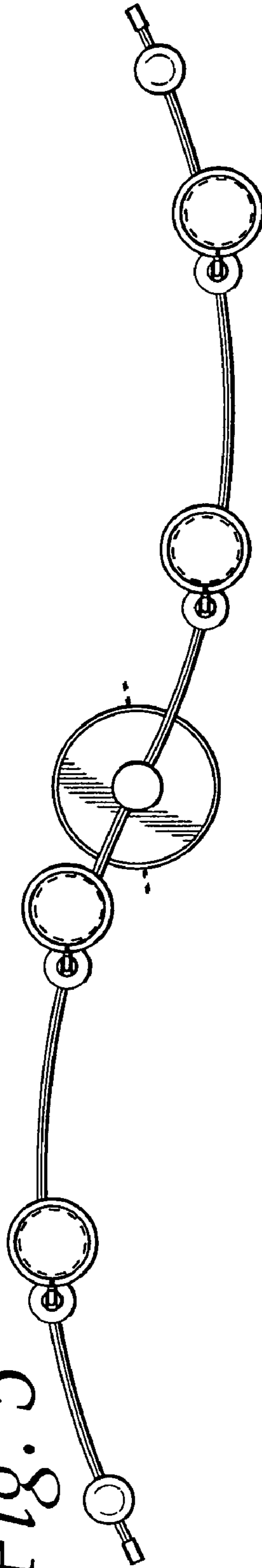
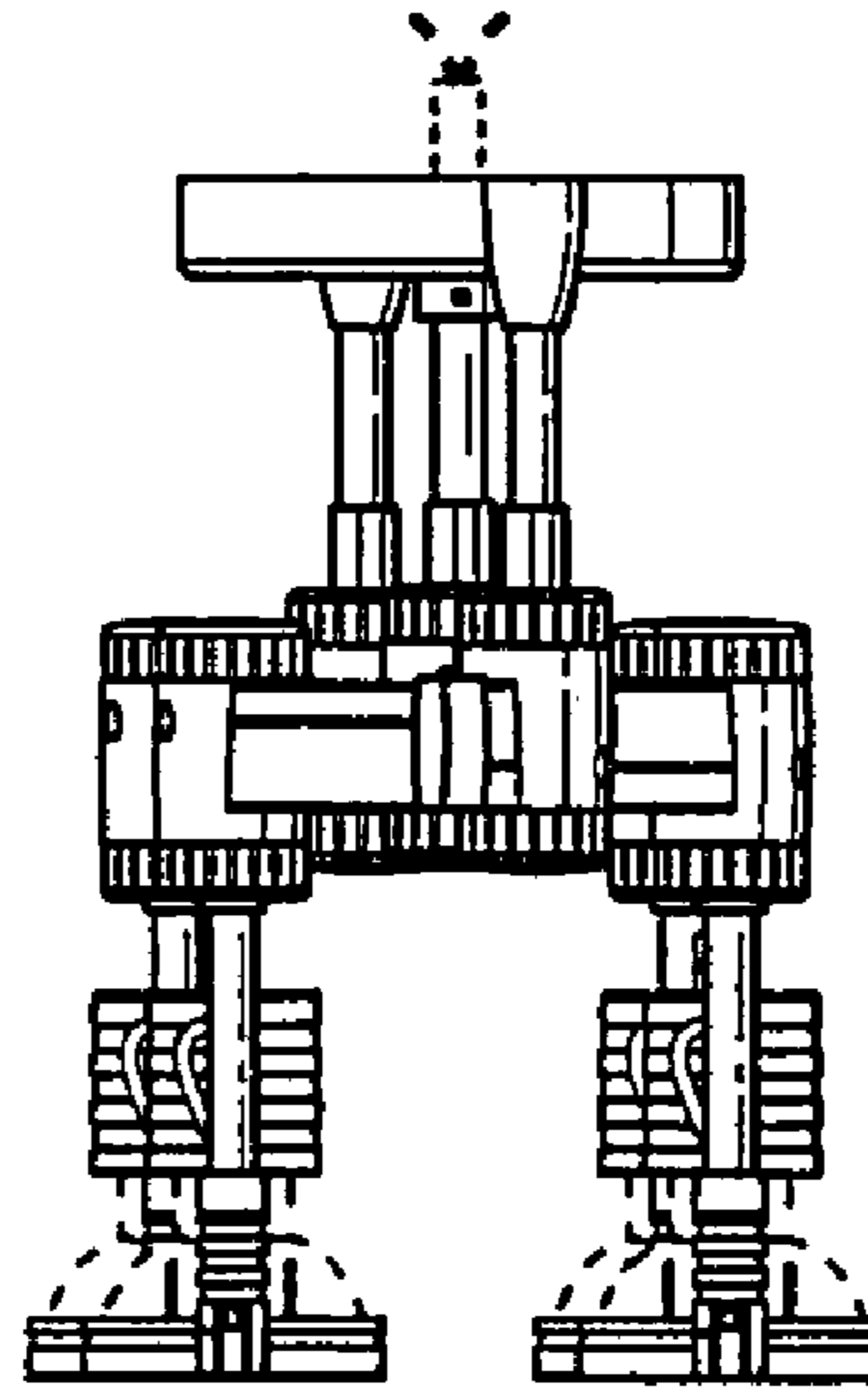


Fig. 5



*Fig. 6*



*Fig. 7*

