



US00D563579S

(12) **United States Design Patent**
Grimberg

(10) **Patent No.:** **US D563,579 S**

(45) **Date of Patent:** **** Mar. 4, 2008**

(54) **SPOTLIGHT**

(75) Inventor: **Michael Grimberg**, Köln (DE)

(73) Assignee: **Zumtobel Staff GmbH & Co. KG**,
Lemgo (DE)

(**) Term: **14 Years**

(21) Appl. No.: **29/234,884**

(22) Filed: **Jul. 25, 2005**

(30) **Foreign Application Priority Data**

Jan. 27, 2005 (EM) 000287156-0001/0007

(51) **LOC (8) Cl.** **26-05**

(52) **U.S. Cl.** **D26/61**

(58) **Field of Classification Search** D26/60-66,
D26/93, 106, 110, 138, 142, 144; 362/101,
362/147, 267, 269, 270, 275, 285, 286, 287,
362/290, 410, 413, 418, 419, 427, 428, 429,
362/430

See application file for complete search history.

(56) **References Cited**

U.S. PATENT DOCUMENTS

D231,559 S * 4/1974 Darling et al. D26/63
D239,967 S * 5/1976 Ewing et al. D26/65
D293,720 S * 1/1988 Witte D26/63
5,025,355 A * 6/1991 Harwood 362/147
D435,925 S * 1/2001 Hiller et al. D26/63
D488,878 S * 4/2004 Ward D26/63
D491,684 S * 6/2004 McInnis D26/63

D495,079 S * 8/2004 Mullen D26/63
7,108,401 B1 * 9/2006 Kane et al. 362/321
D542,956 S * 5/2007 Benghozi D26/63

* cited by examiner

Primary Examiner—Cathron Brooks

Assistant Examiner—Barbara Fox

(74) *Attorney, Agent, or Firm*—H.T. Than

(57) **CLAIM**

The ornamental design for a spotlight, as shown and described.

DESCRIPTION

FIG. 1 is a front view of a spotlight according to the present invention;

FIG. 2 is a perspective view of the spotlight showing the bottom, back and right sides thereof;

FIG. 3 is a perspective view of the spotlight showing the top, front and left sides thereof;

FIG. 4 is a back view thereof;

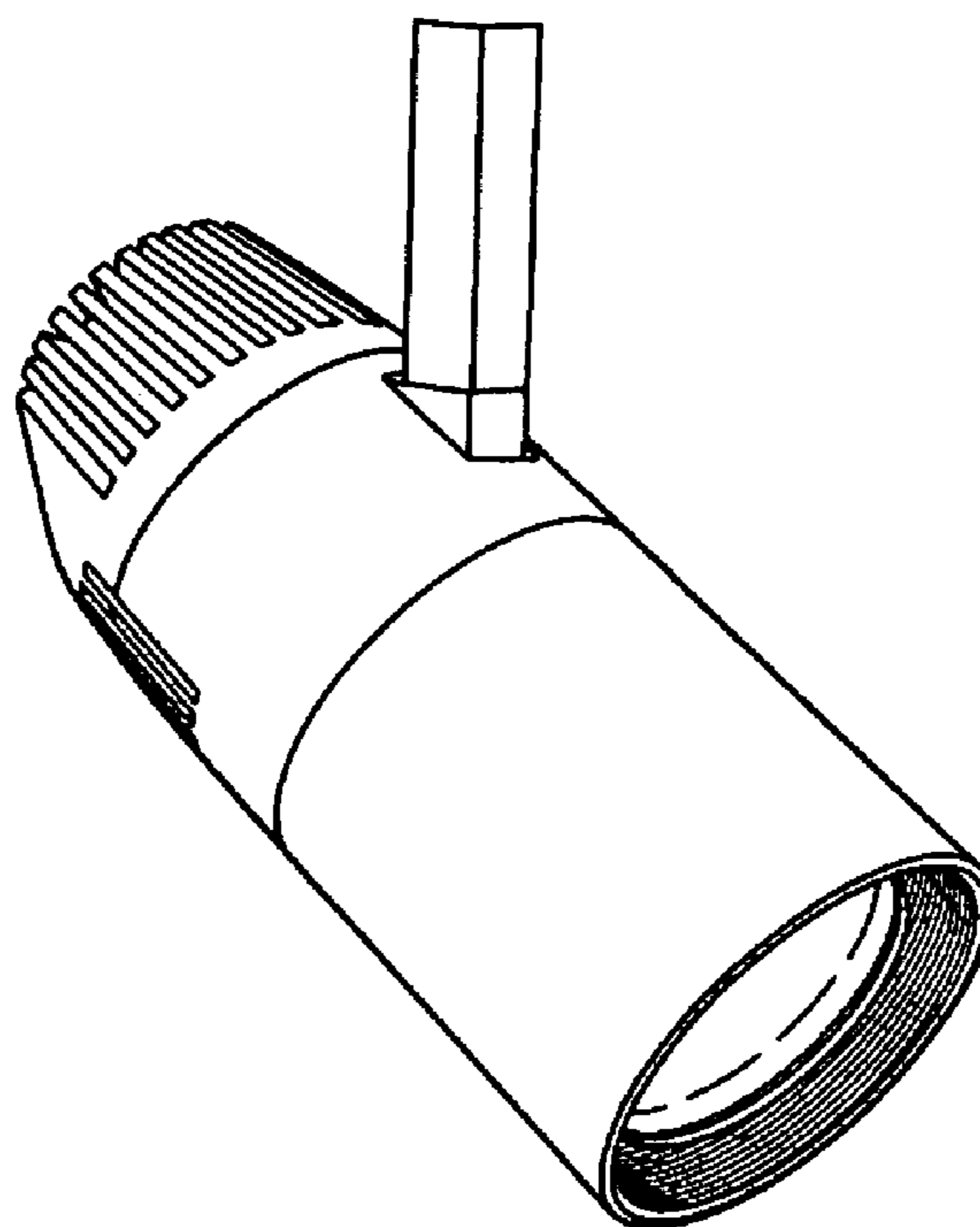
FIG. 5 is a perspective view of the spotlight showing the top, front and right sides thereof;

FIG. 6 is a perspective view of the spotlight showing the bottom, back and left sides thereof; and,

FIG. 7 is a right side view thereof.

All portions shown in broken lines are environmental and illustrative only and form no part of the claimed design.

1 Claim, 4 Drawing Sheets



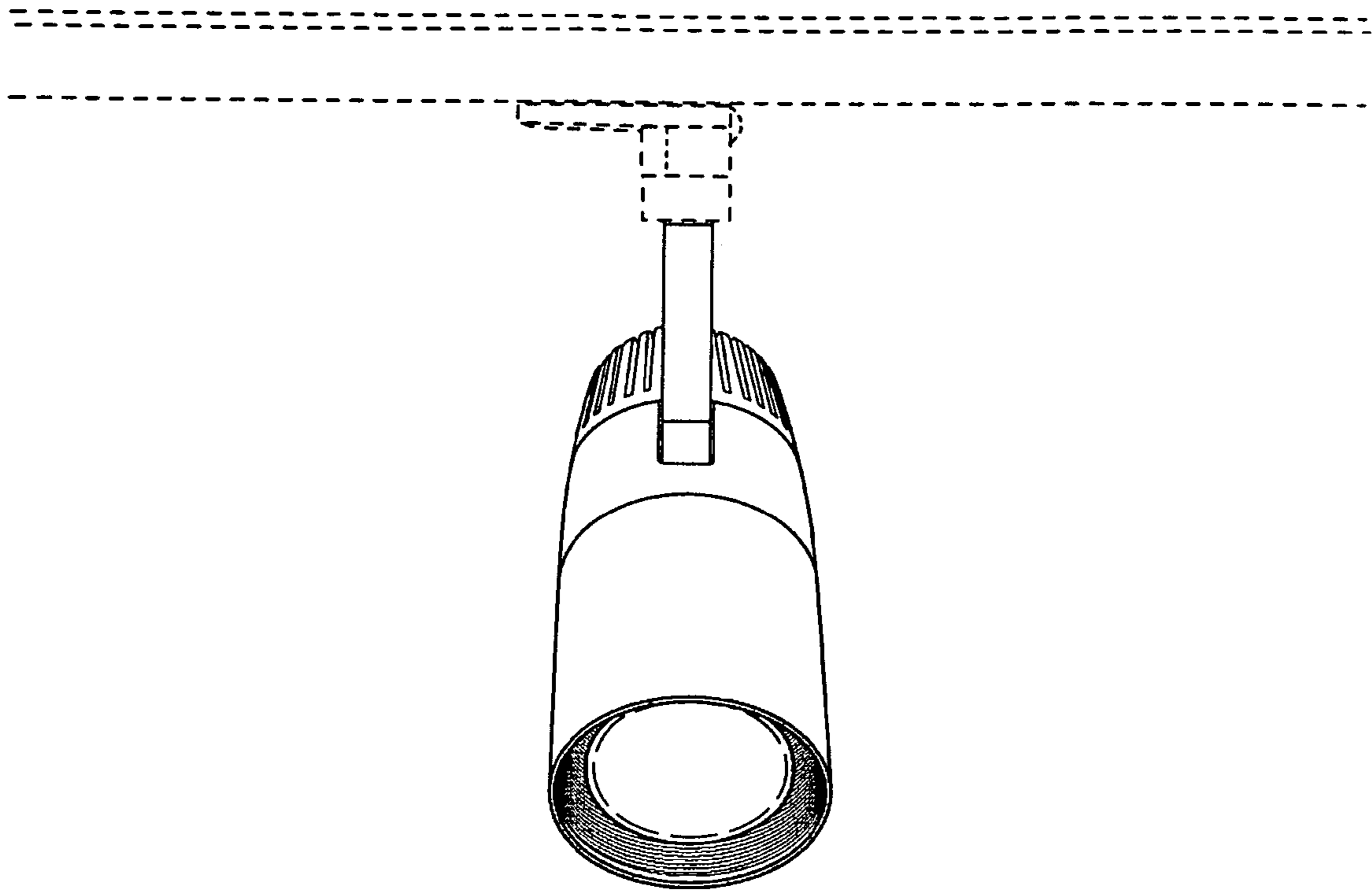


Fig. 1

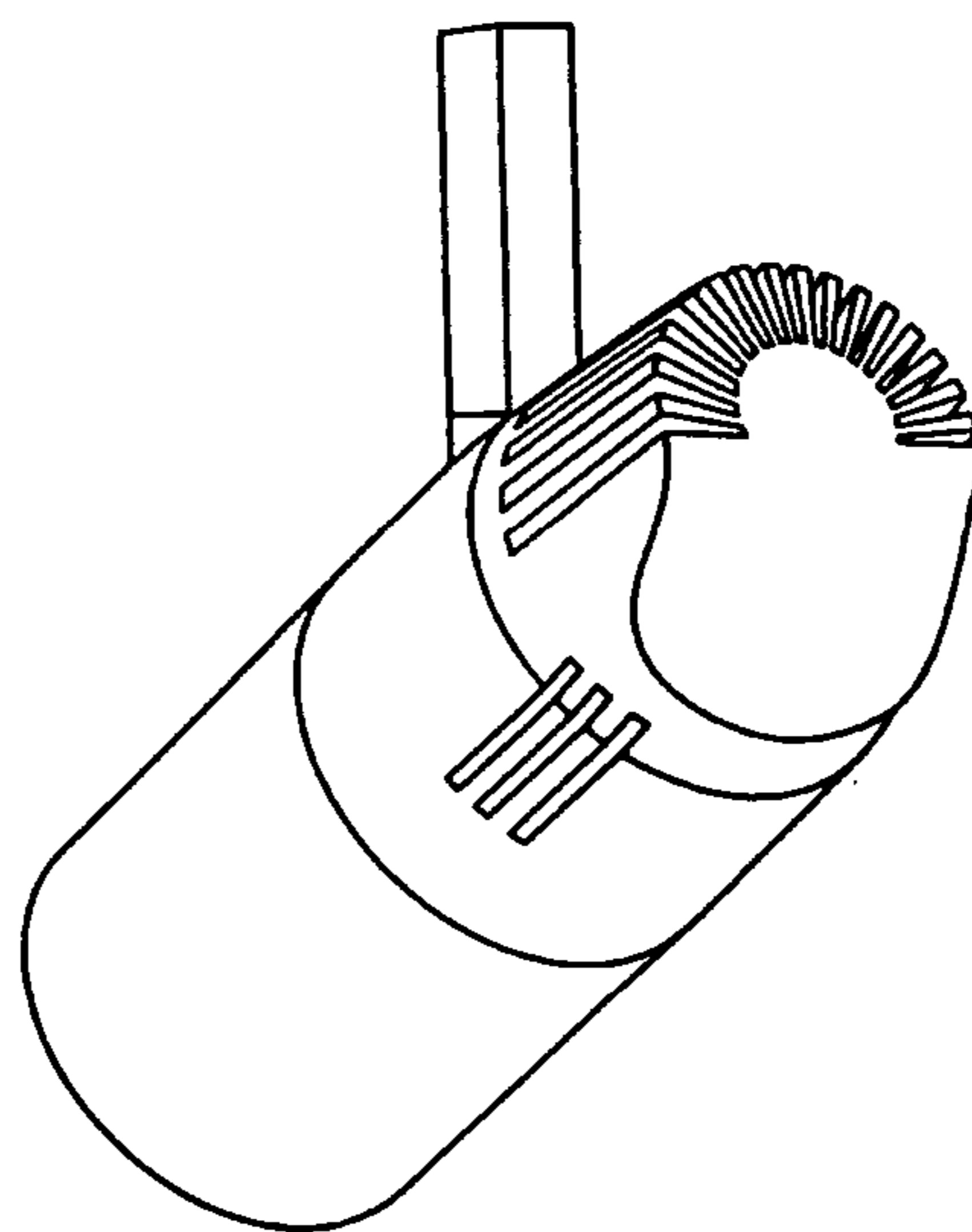


Fig. 2

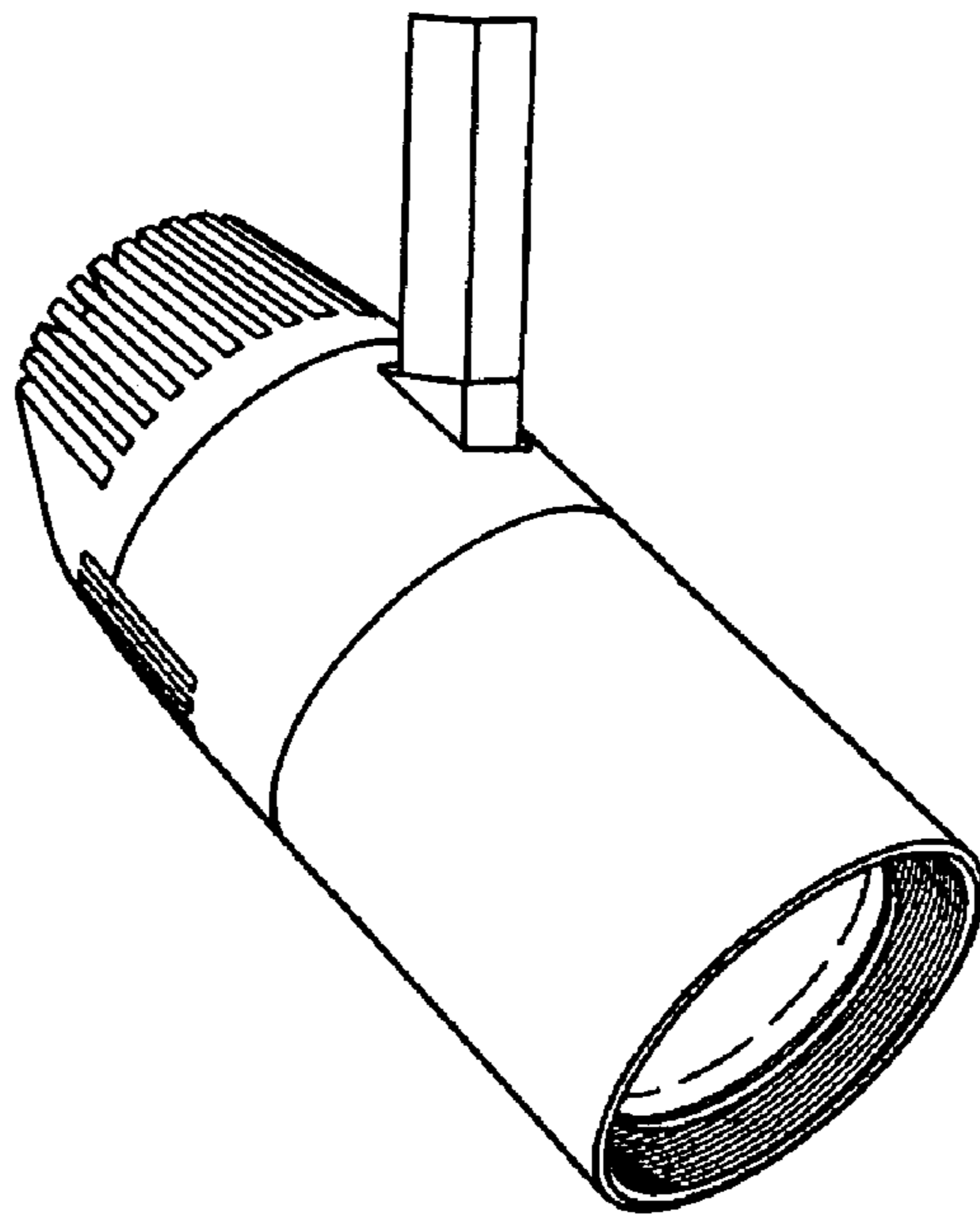


Fig. 3

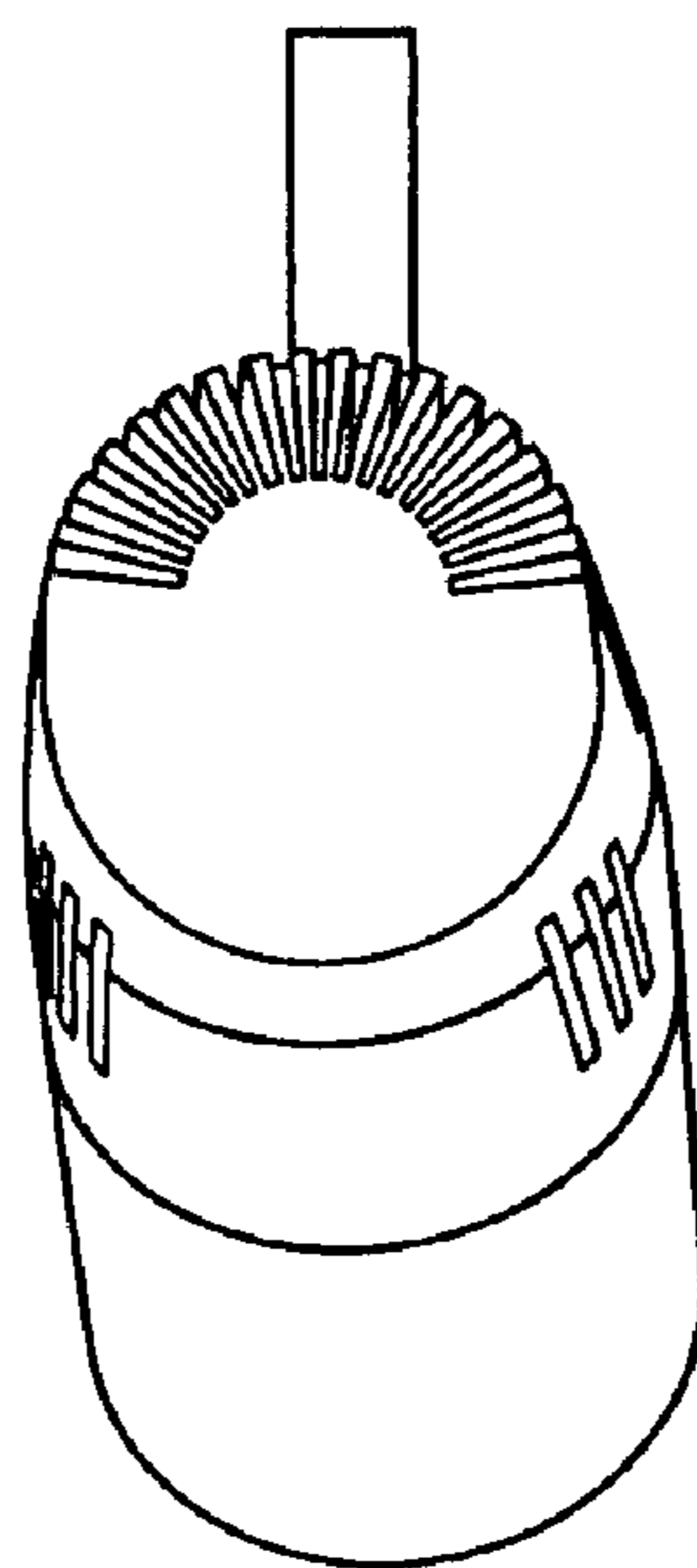


Fig. 4

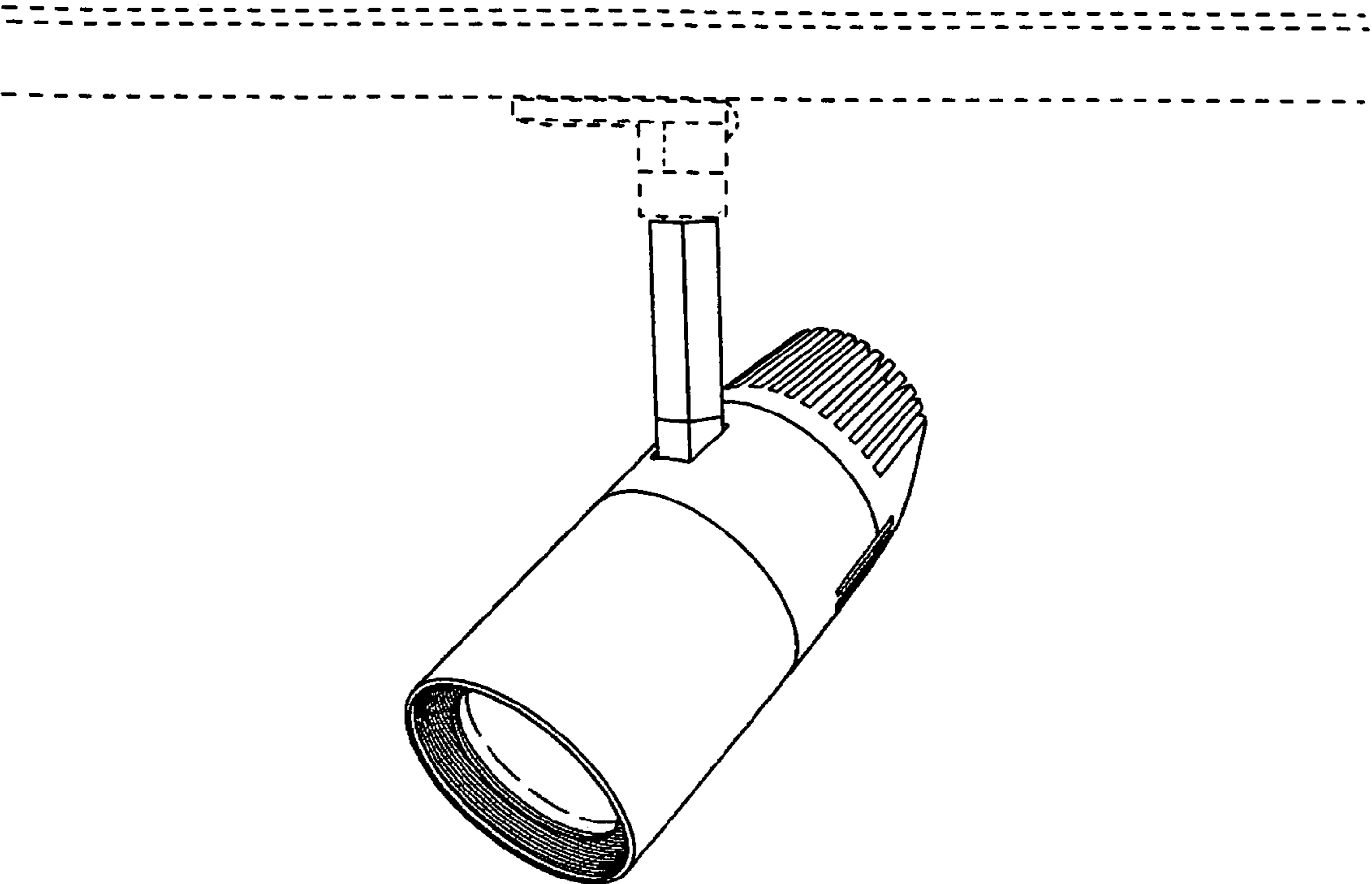


Fig. 5

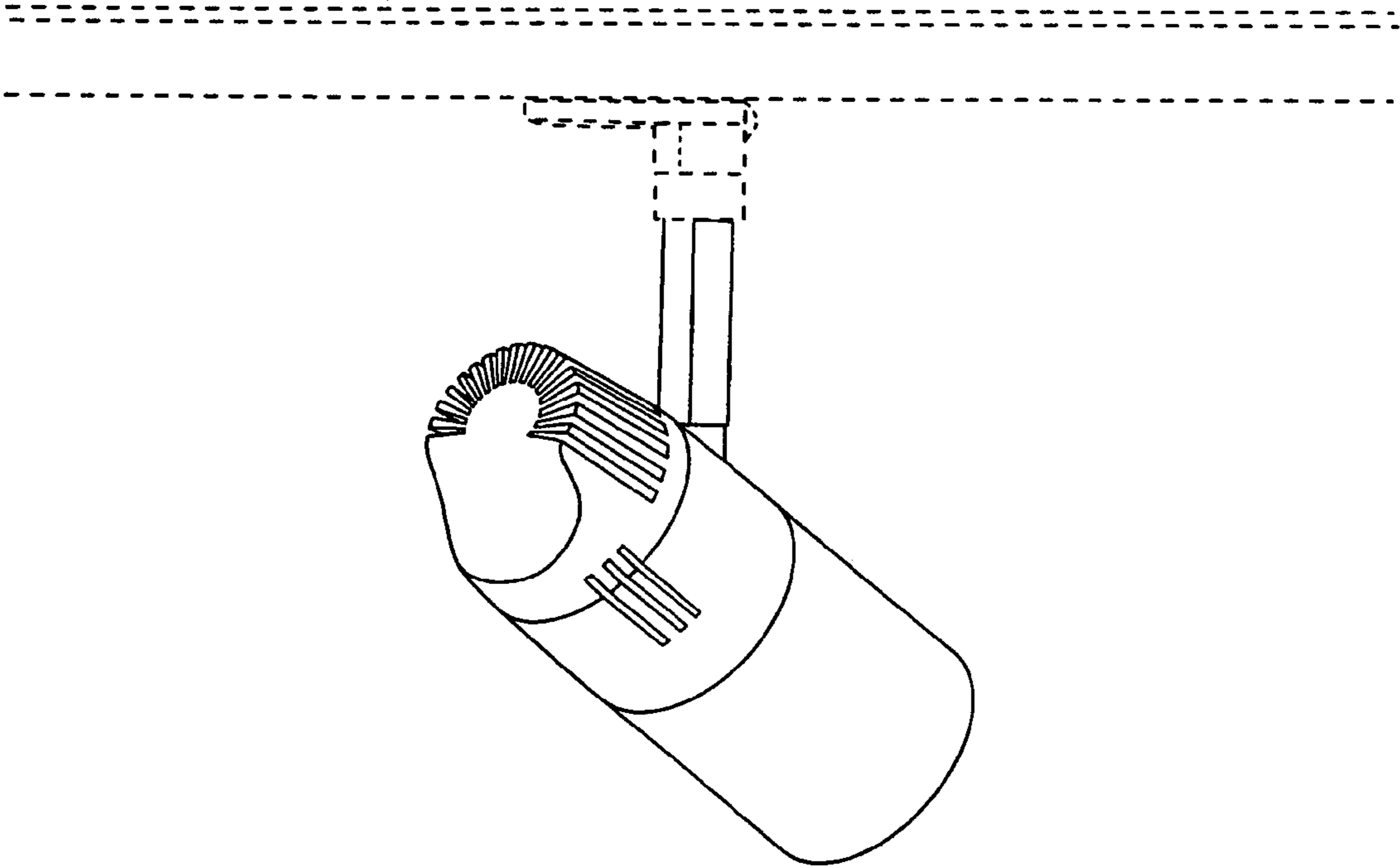


Fig. 6

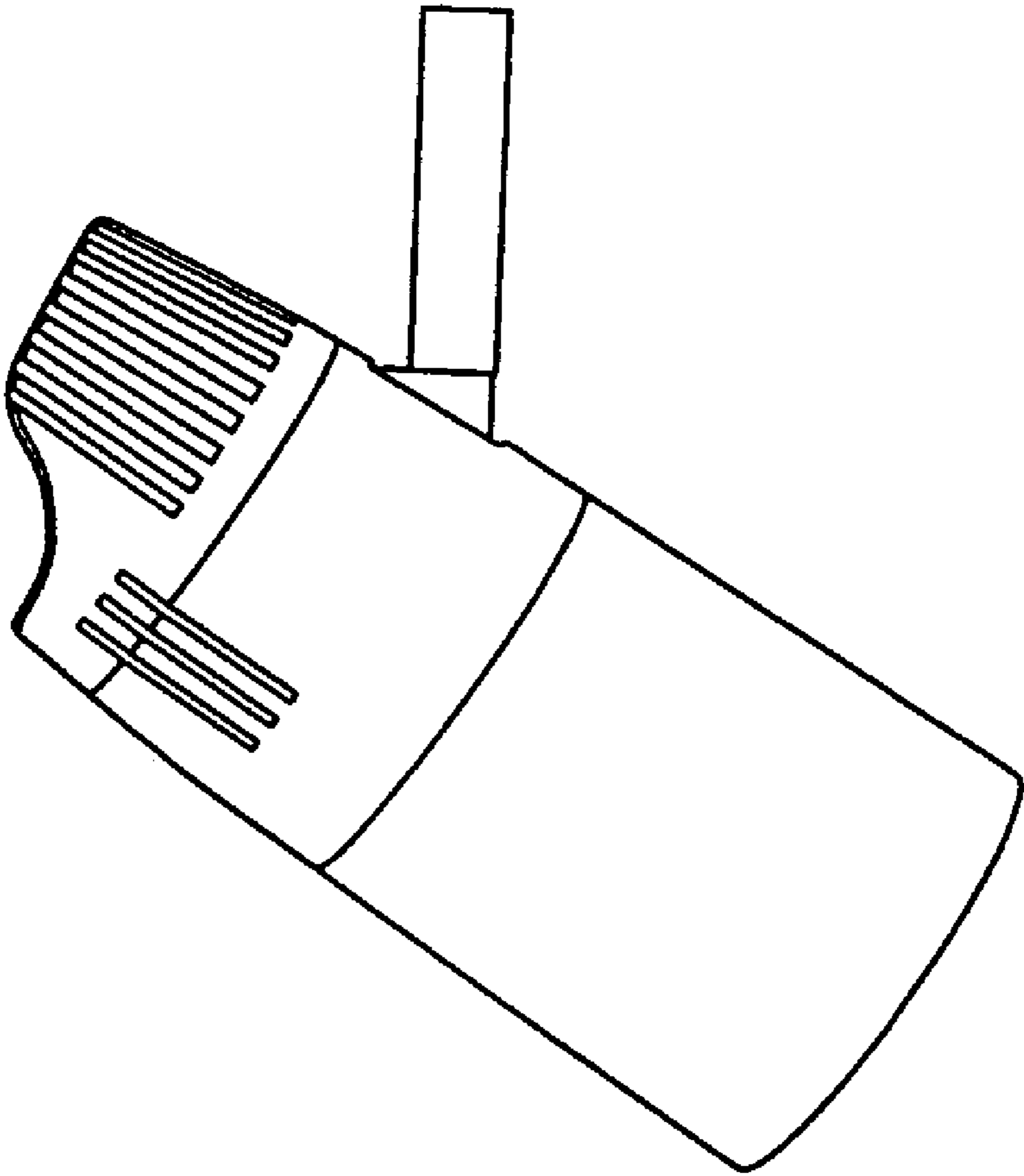


Fig. 7