



US00D563577S

(12) **United States Design Patent**
Welch

(10) **Patent No.:** **US D563,577 S**

(45) **Date of Patent:** **** Mar. 4, 2008**

(54) **TAIL LIGHT**

D500,374 S * 12/2004 Reiss et al. D26/28
D506,844 S * 6/2005 Lin D26/28

(76) Inventor: **Daniel P. Welch**, 8201 Plaza La., Des Moines, IA (US) 50320

* cited by examiner

Primary Examiner—Marcus A. Jackson

(**) Term: **14 Years**

(21) Appl. No.: **29/288,842**

(57) **CLAIM**

(22) Filed: **Jun. 22, 2007**

The ornamental design for a tail light, as shown and described.

(51) **LOC (8) Cl.** **26-06**

(52) **U.S. Cl.** **D26/28**

(58) **Field of Classification Search** D26/28-36;
362/459-468, 475-478, 485-487

See application file for complete search history.

DESCRIPTION

FIG. 1 is an upper perspective view of the tail light.

FIG. 2 is a first side view of the tail light.

FIG. 3 is a front view of the tail light.

FIG. 4 is a rear view of the tail light.

FIG. 5 is a top view of the tail light; and,

FIG. 6 is a bottom view of the tail light.

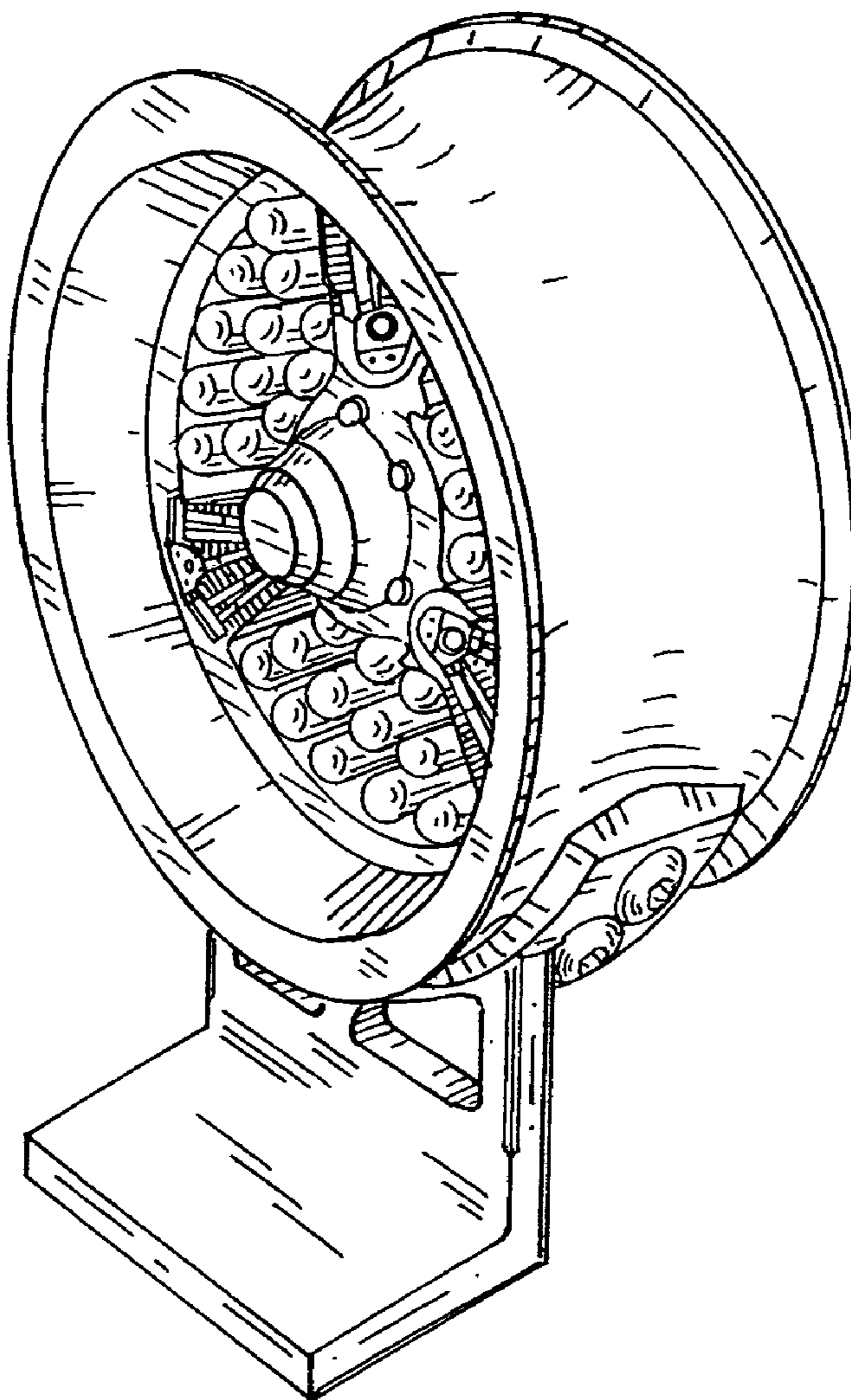
(56) **References Cited**

U.S. PATENT DOCUMENTS

D317,212 S * 5/1991 Fettes et al. D26/28

D375,180 S * 10/1996 Lyons D26/28

1 Claim, 2 Drawing Sheets



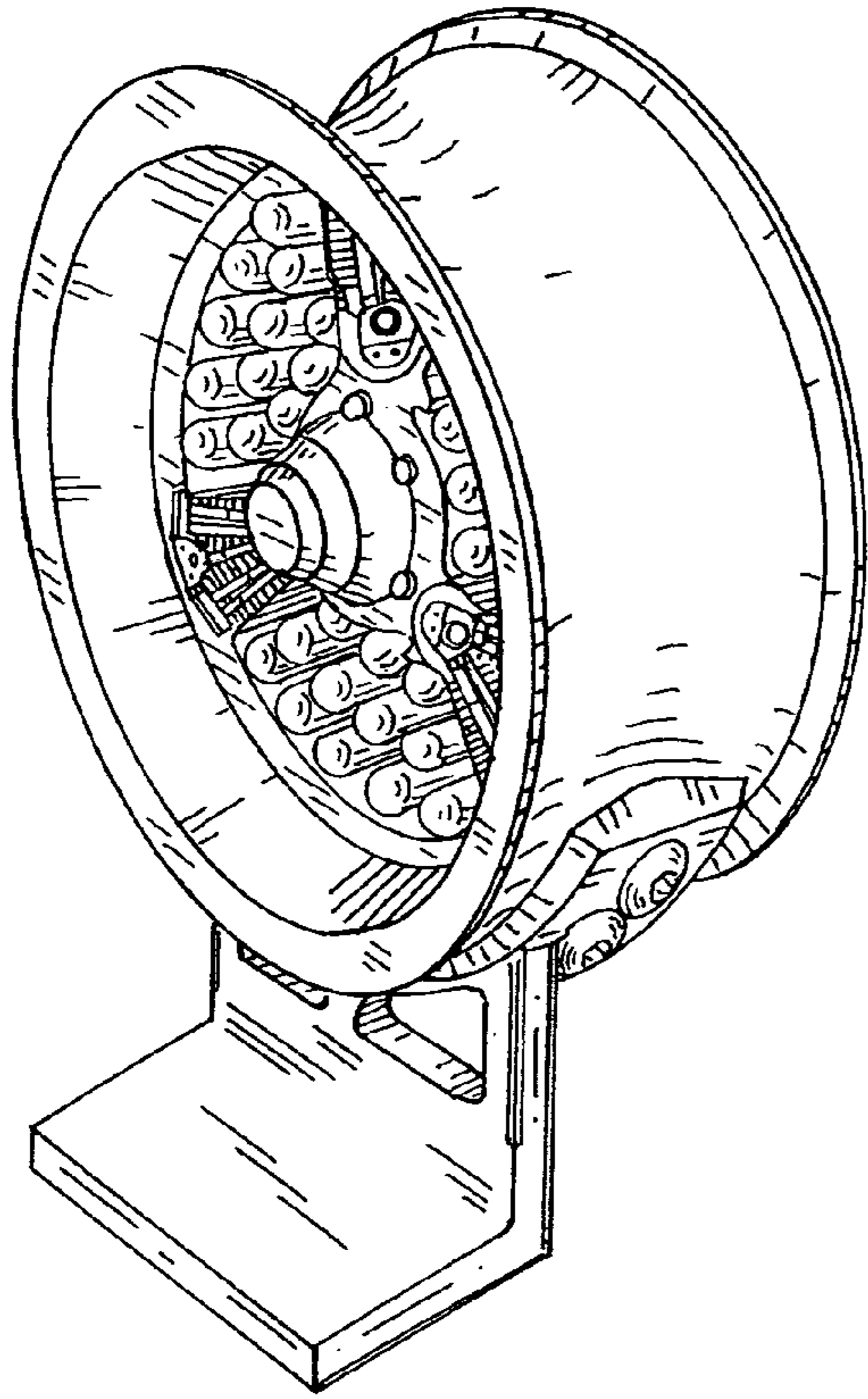


Fig. 1

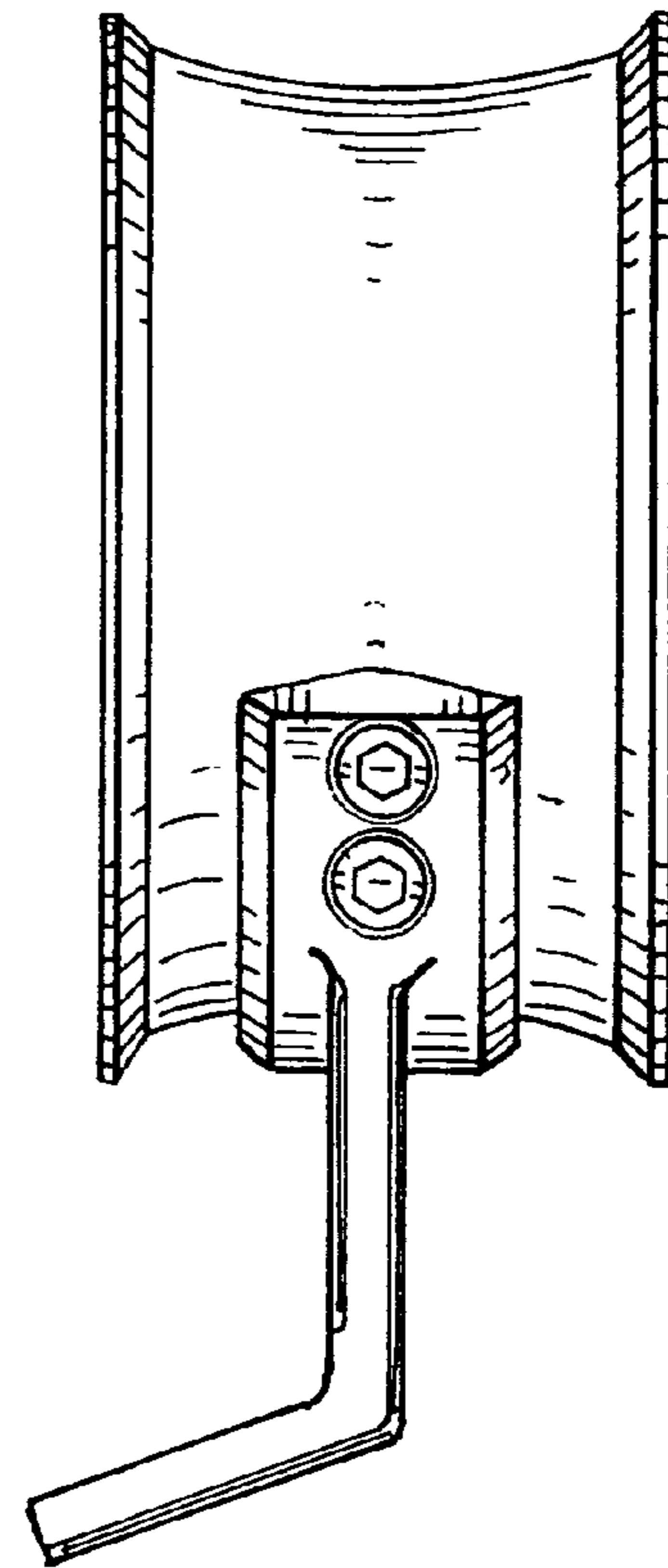


Fig. 2

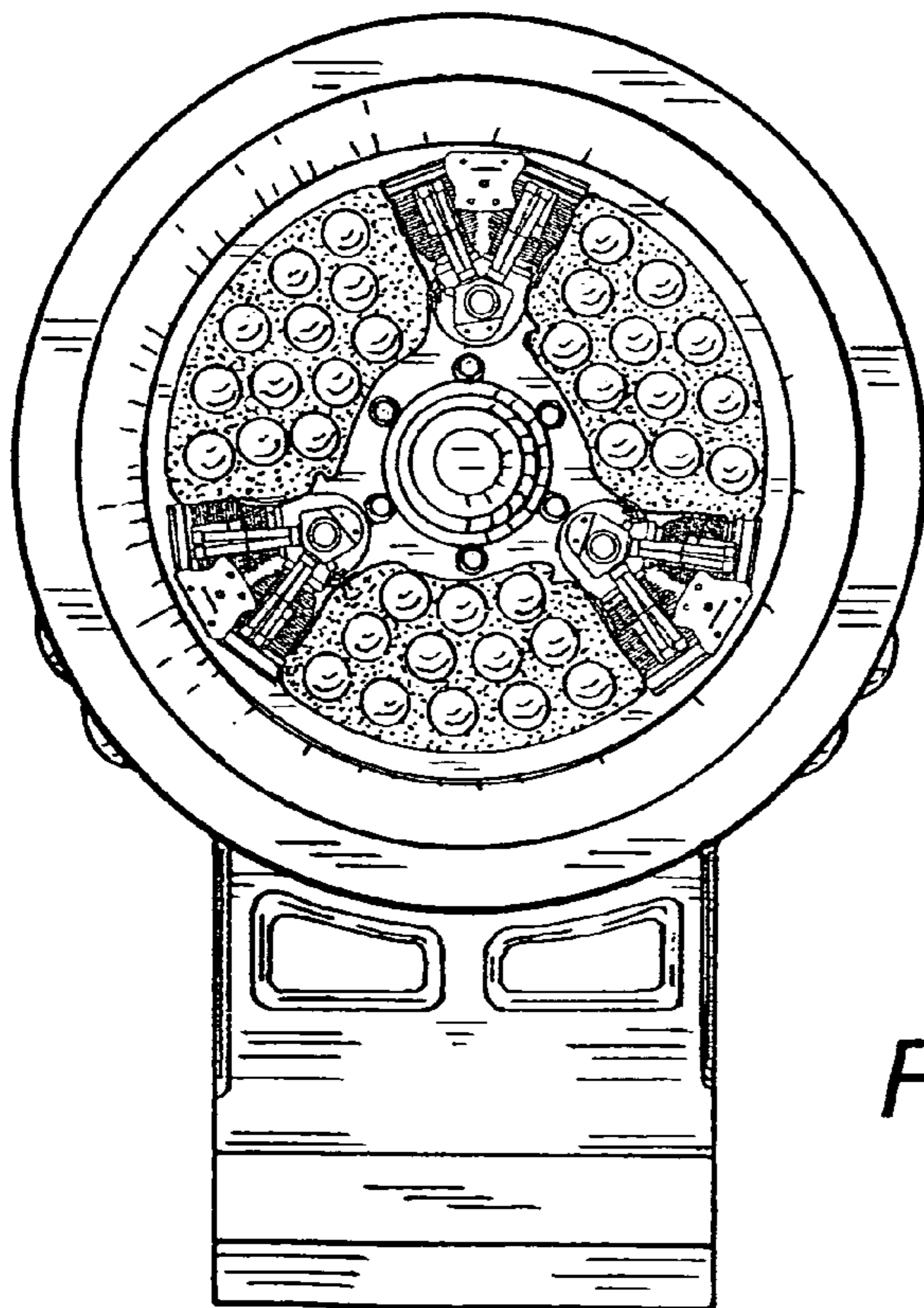


Fig. 3

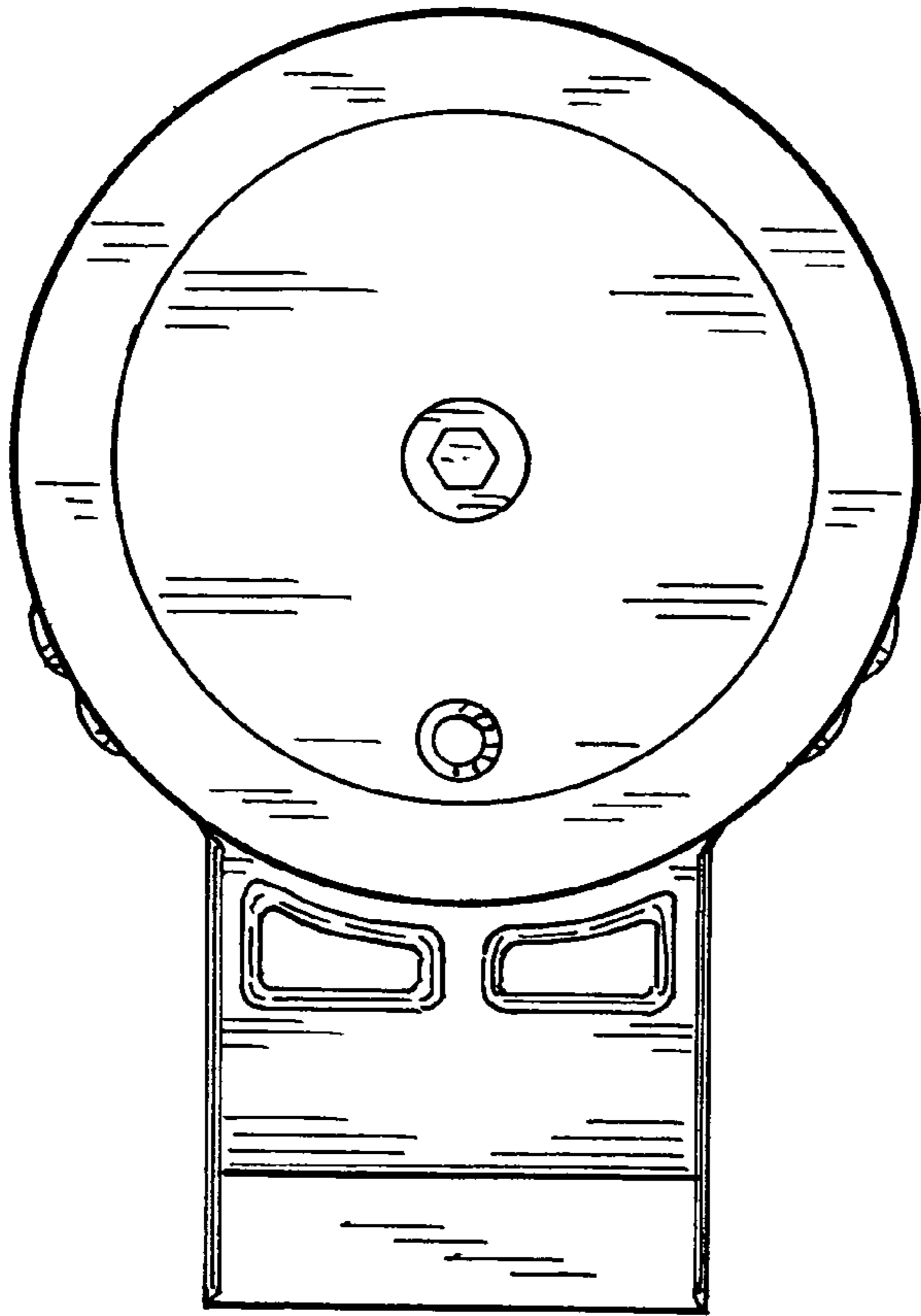


Fig. 4

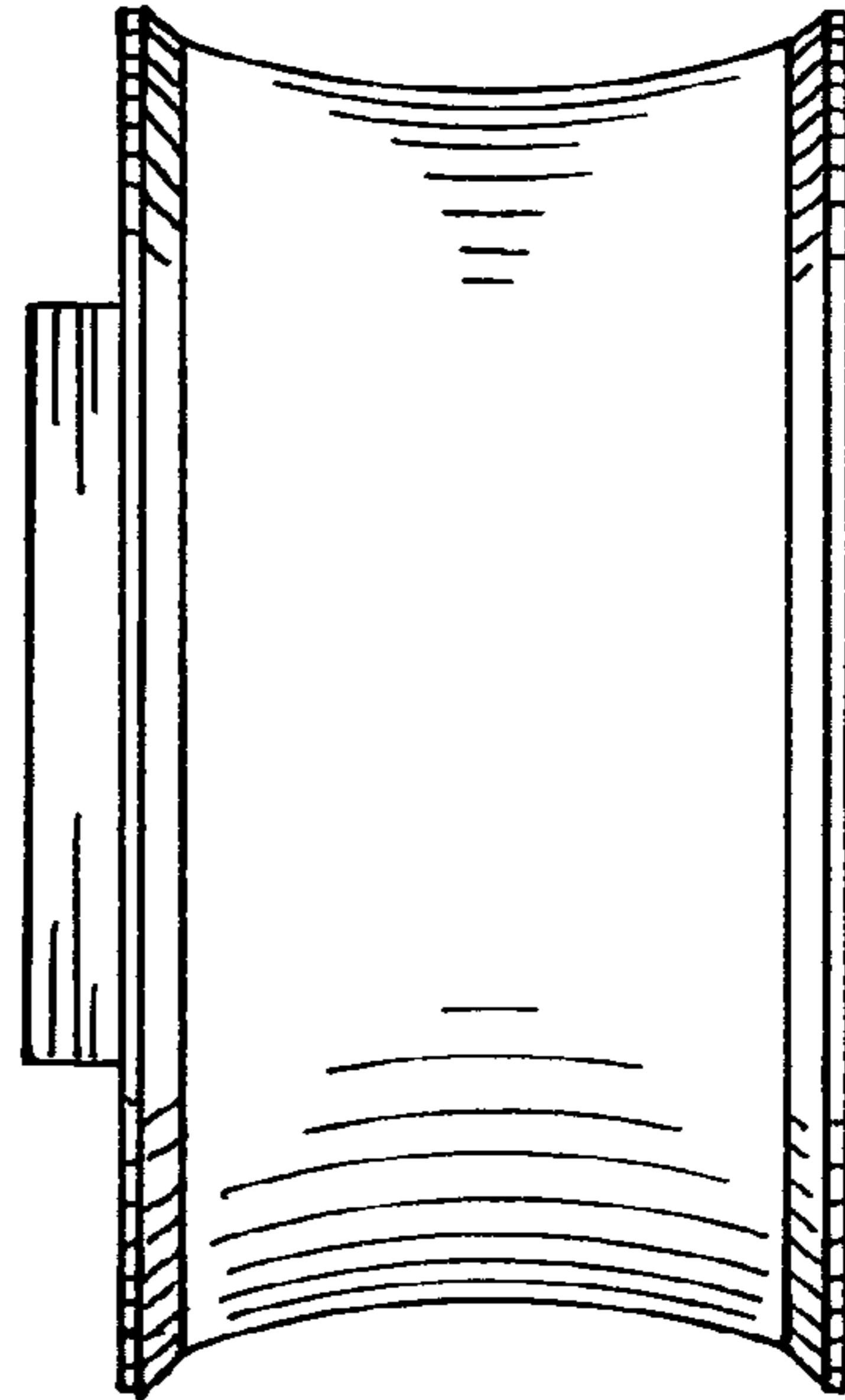


Fig. 5

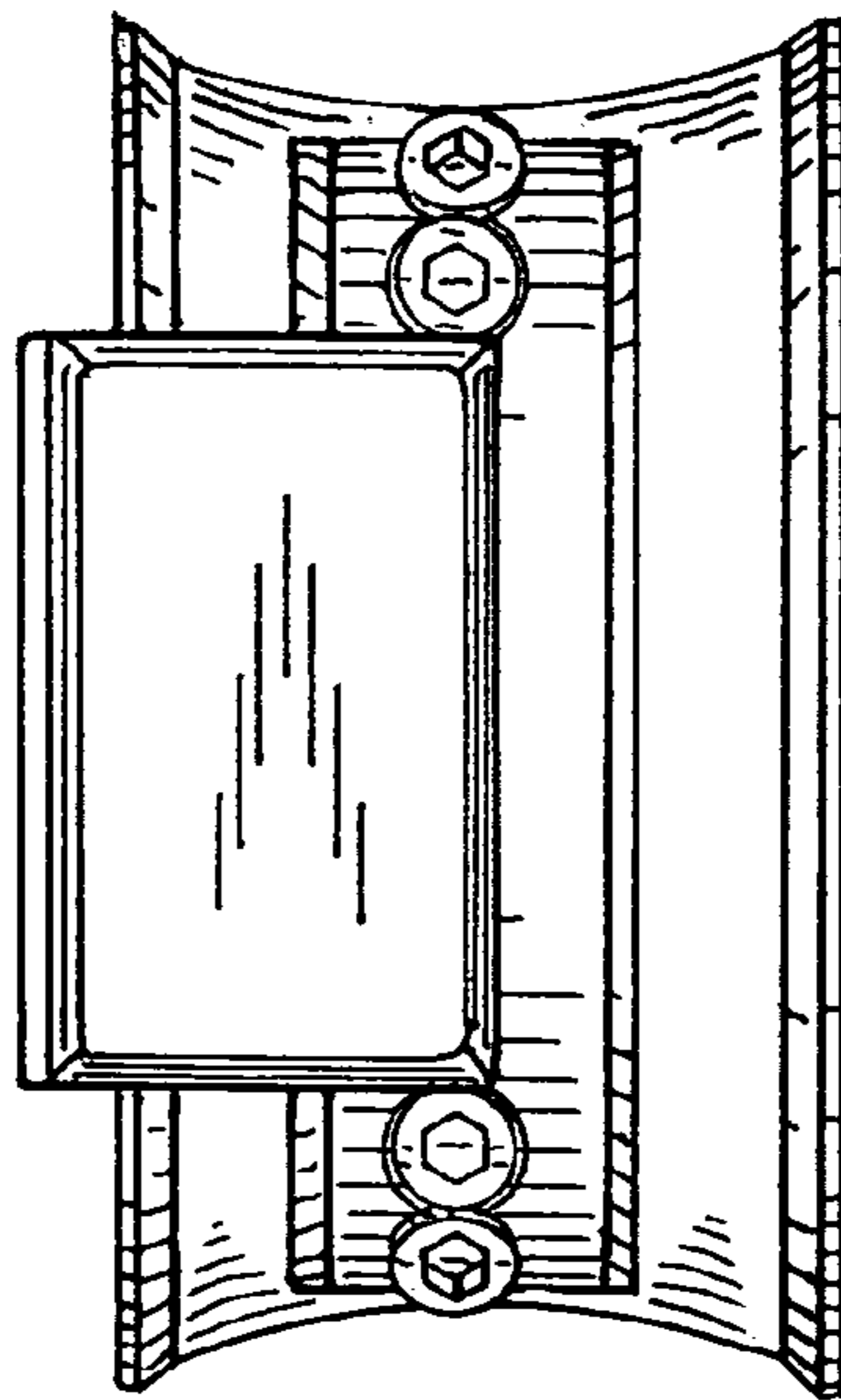


Fig. 6