

US00D563573S

(12) **United States Design Patent**  
**Vámos**

(10) **Patent No.:** **US D563,573 S**

(45) **Date of Patent:** **\*\* Mar. 4, 2008**

(54) **DECORATIVE LAMP**

D520,151 S \* 5/2006 Nakanishi et al. .... D26/2

(75) Inventor: **Zoltán Vámos**, Veröce (HU)

\* cited by examiner

(73) Assignee: **General Electric Company**,  
Schenectady, NY (US)

*Primary Examiner*—Marcus A. Jackson  
(74) *Attorney, Agent, or Firm*—Fay Sharpe LLP

(\*\*) Term: **14 Years**

(57) **CLAIM**

(21) Appl. No.: **29/289,251**

I claim the ornamental design for a decorative lamp, as shown and described.

(22) Filed: **Jul. 13, 2007**

**DESCRIPTION**

(51) **LOC (8) Cl.** ..... **26-04**

(52) **U.S. Cl.** ..... **D26/2**

(58) **Field of Classification Search** ..... D26/1-4;  
313/313, 315, 317, 318, 493; 315/52, 53,  
315/56, 57, 58

See application file for complete search history.

FIG. 1 is a front view of a decorative lamp of the present invention;

FIG. 2 is a rear view thereof;

FIG. 3 is a first side view thereof;

FIG. 4 is a second side view thereof;

FIG. 5 is a top view thereof; and,

FIG. 6 is a bottom view thereof.

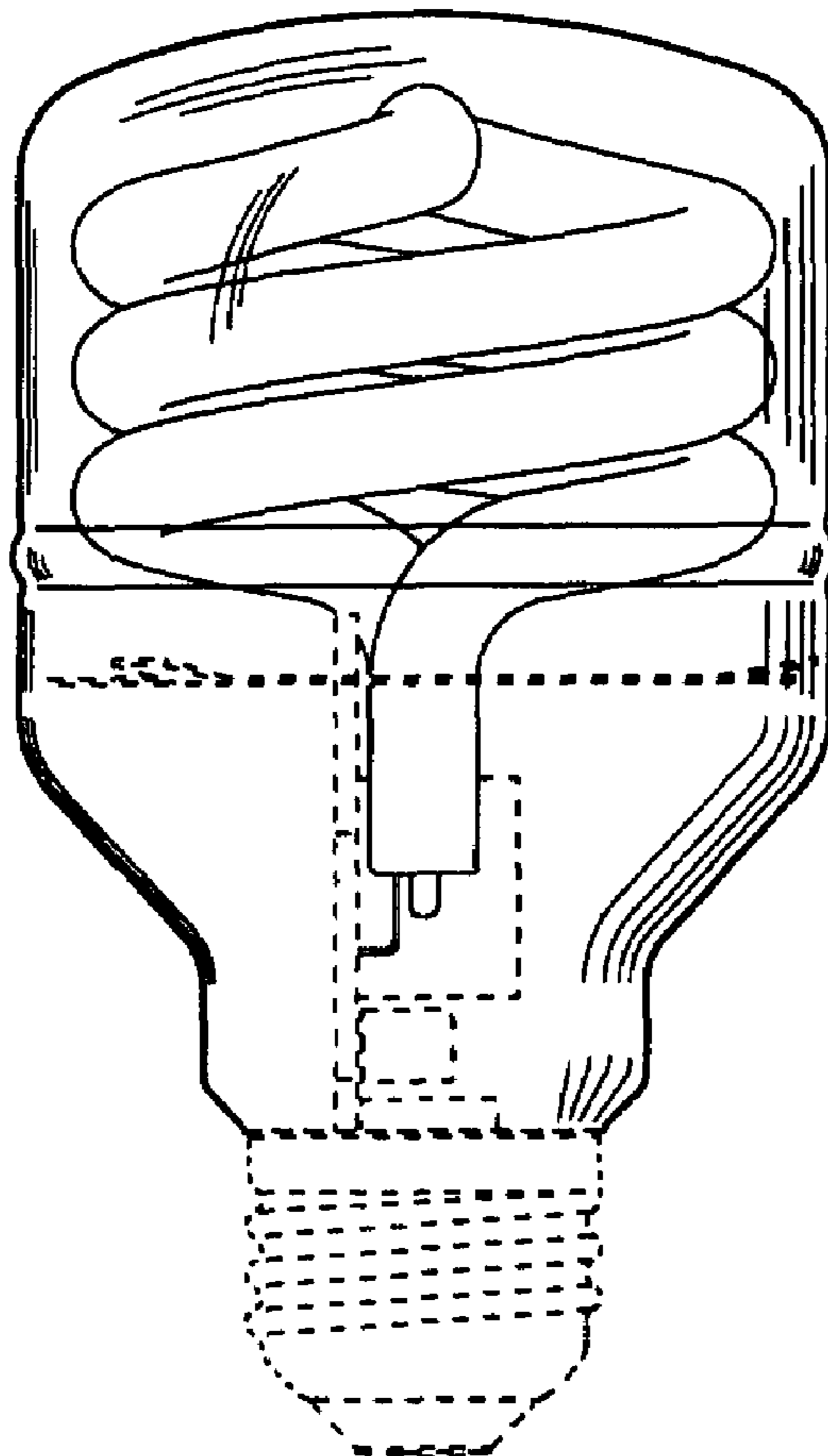
(56) **References Cited**

**U.S. PATENT DOCUMENTS**

6,064,155	A	5/2000	Maya et al.	
D485,377	S	* 1/2004	Vakil	D26/2
D494,688	S	* 8/2004	Van de Ven et al.	D26/2
D499,820	S	* 12/2004	Foo	D26/2
D504,732	S	* 5/2005	Yang	D26/2

The broken line disclosure of the lamp base and some parts within the outer envelope is for illustrative purposes only and forms no part of the claimed design.

**1 Claim, 3 Drawing Sheets**



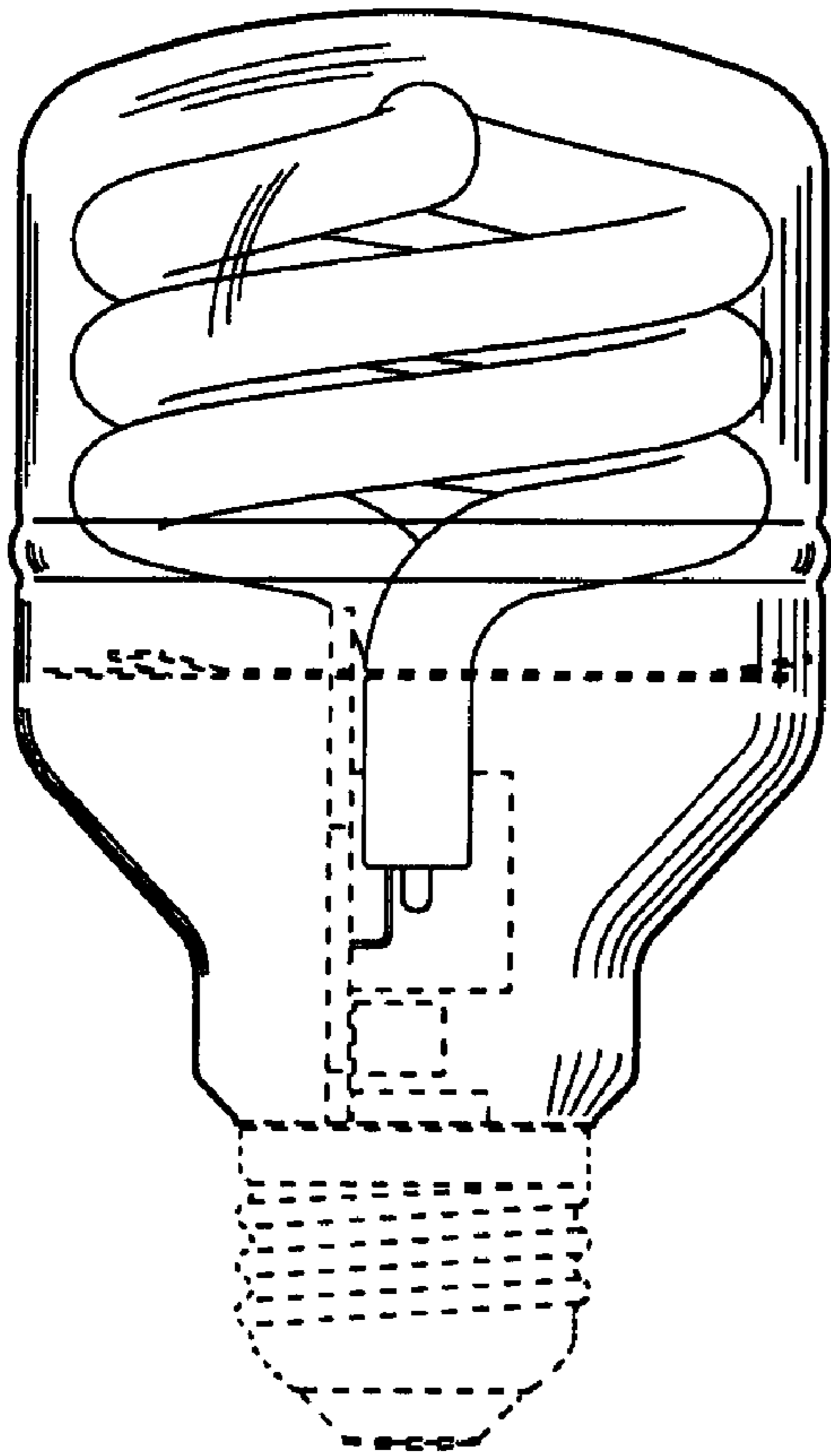


Fig. 1

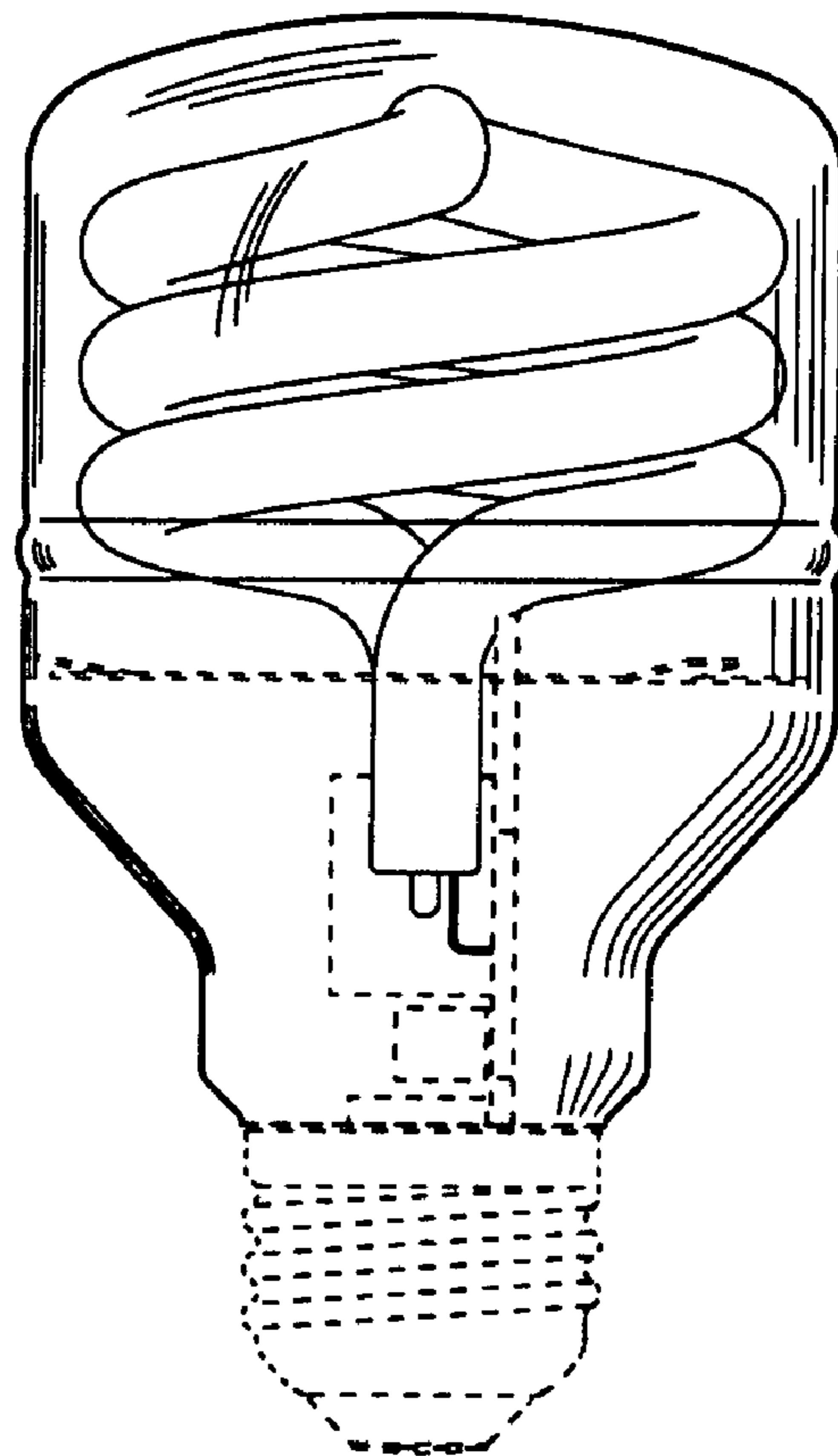


Fig. 2

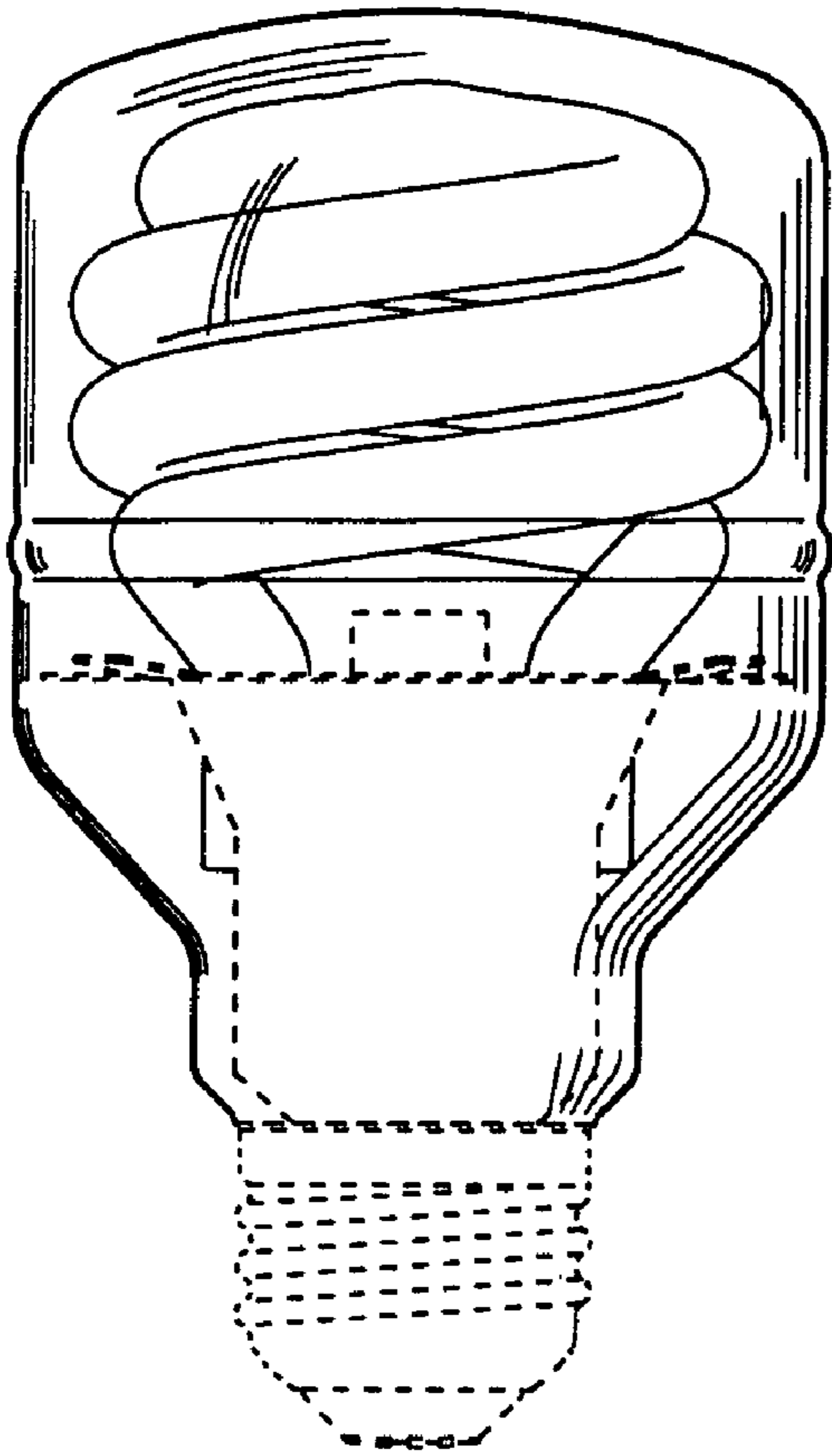


Fig. 3

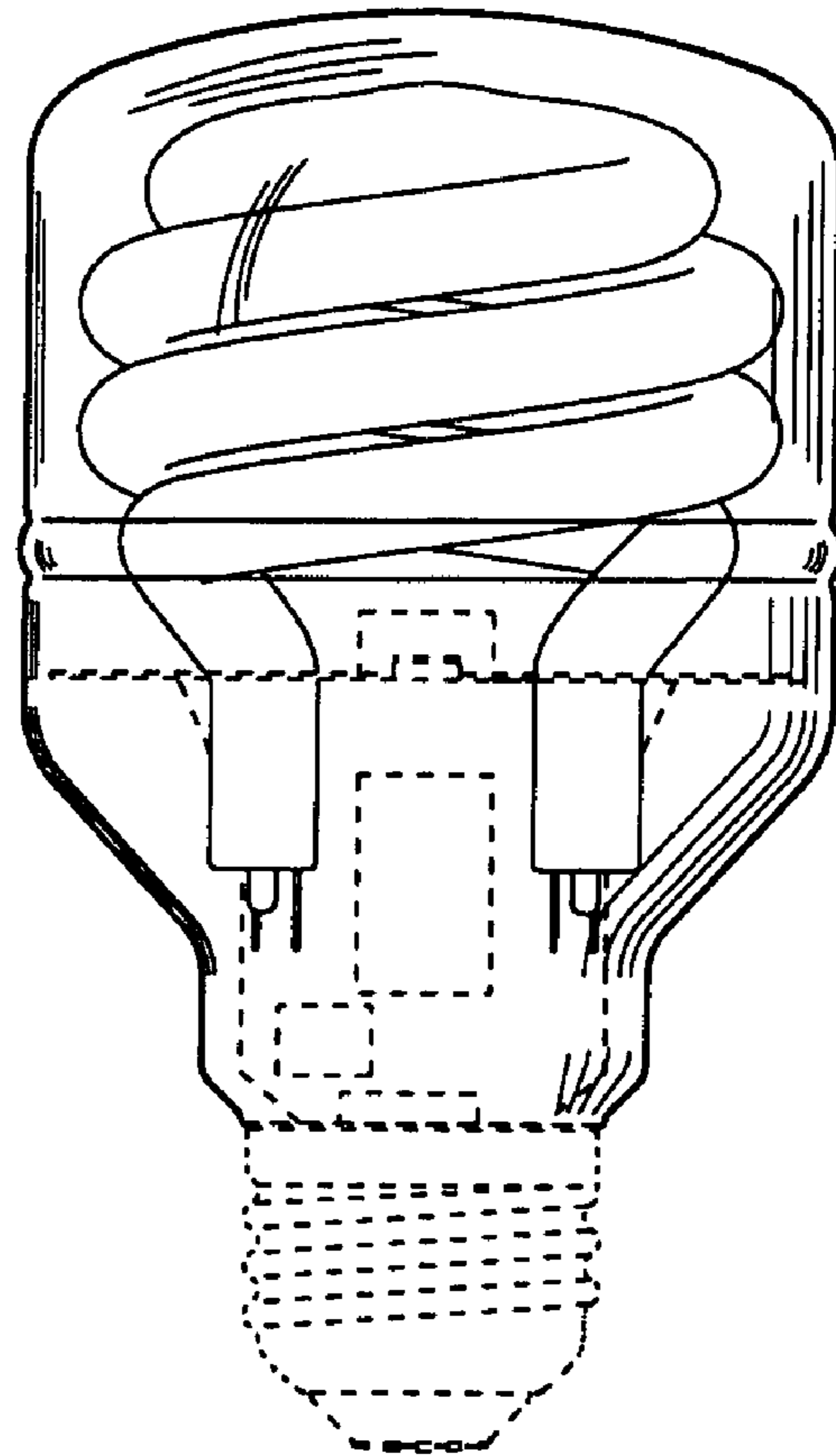


Fig. 4

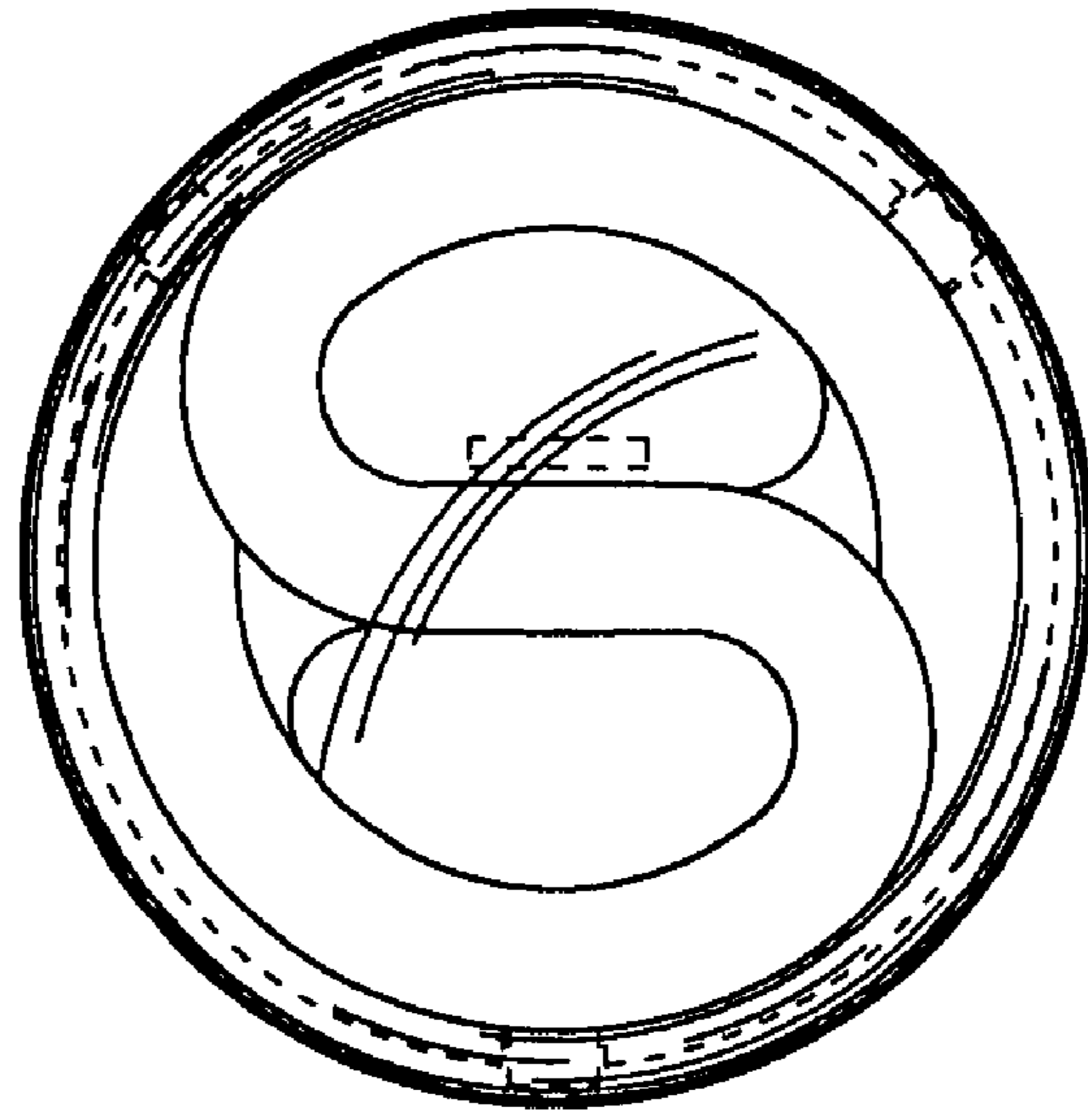


Fig. 5

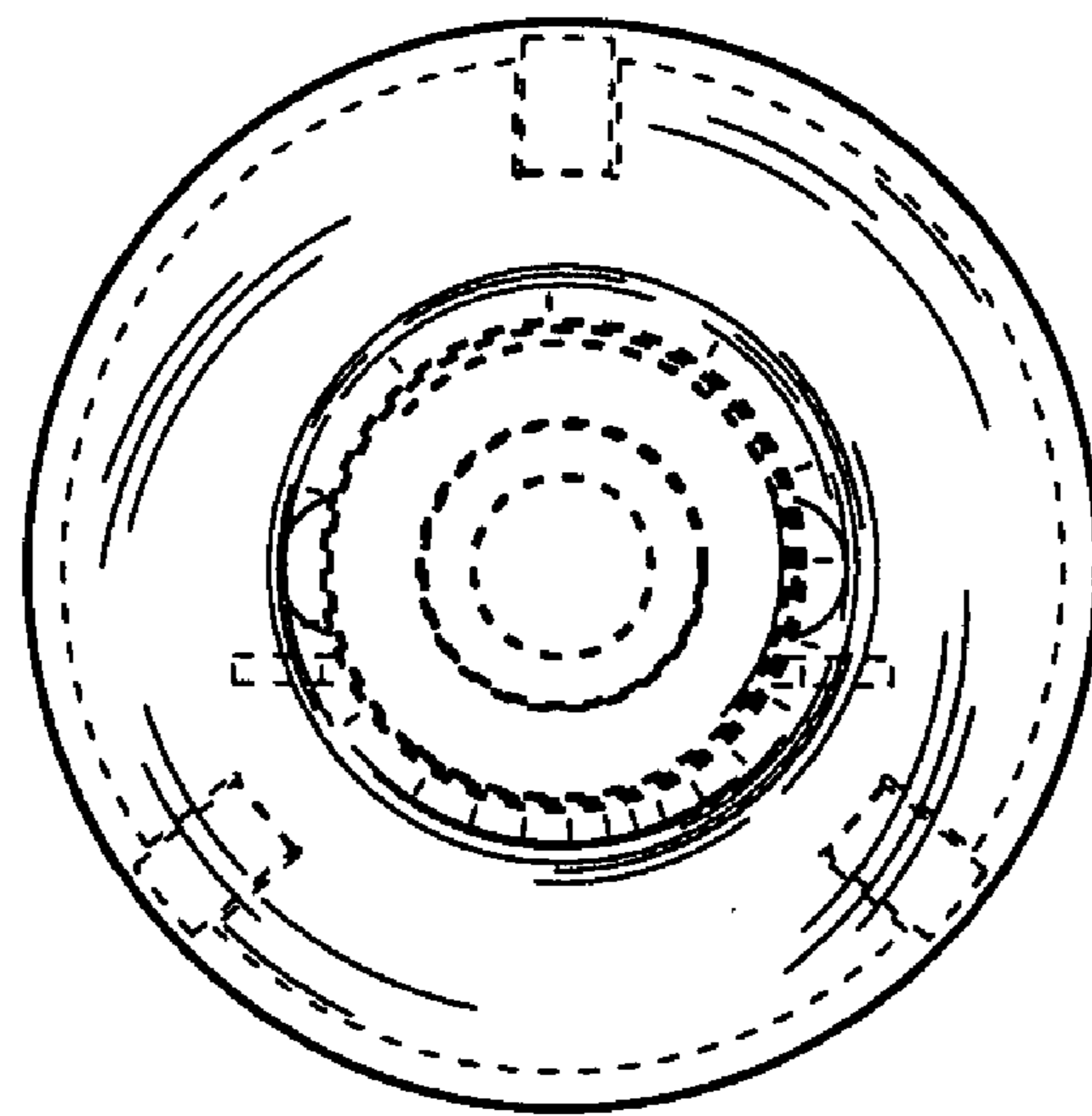


Fig. 6