



US00D563568S

(12) **United States Design Patent**  
**Dunlap**

(10) **Patent No.:** **US D563,568 S**

(45) **Date of Patent:** **\*\* Mar. 4, 2008**

(54) **DOOR THRESHOLD**

(76) **Inventor:** **Jennifer Dunlap**, 3840 Jiles Rd. Apt.  
1902, Kennesaw, GA (US) 30144

(\*\*) **Term:** **14 Years**

(21) **Appl. No.:** **29/257,951**

(22) **Filed:** **Apr. 13, 2006**

(51) **LOC (8) Cl.** ..... **25-01**

(52) **U.S. Cl.** ..... **D25/119**

(58) **Field of Classification Search** ..... D25/48,  
D25/164, 119; 49/411, 467, 468, 469, 470,  
49/471

See application file for complete search history.

(56) **References Cited**

**U.S. PATENT DOCUMENTS**

3,382,617	A *	5/1968	St. Aubin	.....	49/468
4,104,830	A *	8/1978	Eagle	.....	49/468
5,012,614	A *	5/1991	Shea	.....	49/468
D340,534	S	10/1993	McConnell et al.		
6,038,821	A *	3/2000	Larson et al.	.....	52/97
D447,574	S *	9/2001	Fening	.....	D25/119

\* cited by examiner

*Primary Examiner*—Doris Clark

(74) *Attorney, Agent, or Firm*—Paparella & Associates;  
Joseph A. Paparella

(57) **CLAIM**

I claim the ornamental design for a door threshold, as shown and described.

**DESCRIPTION**

FIG. 1 is a front isometric view of the door threshold;

FIG. 2 is a front view thereof;

FIG. 3 is a right side view thereof;

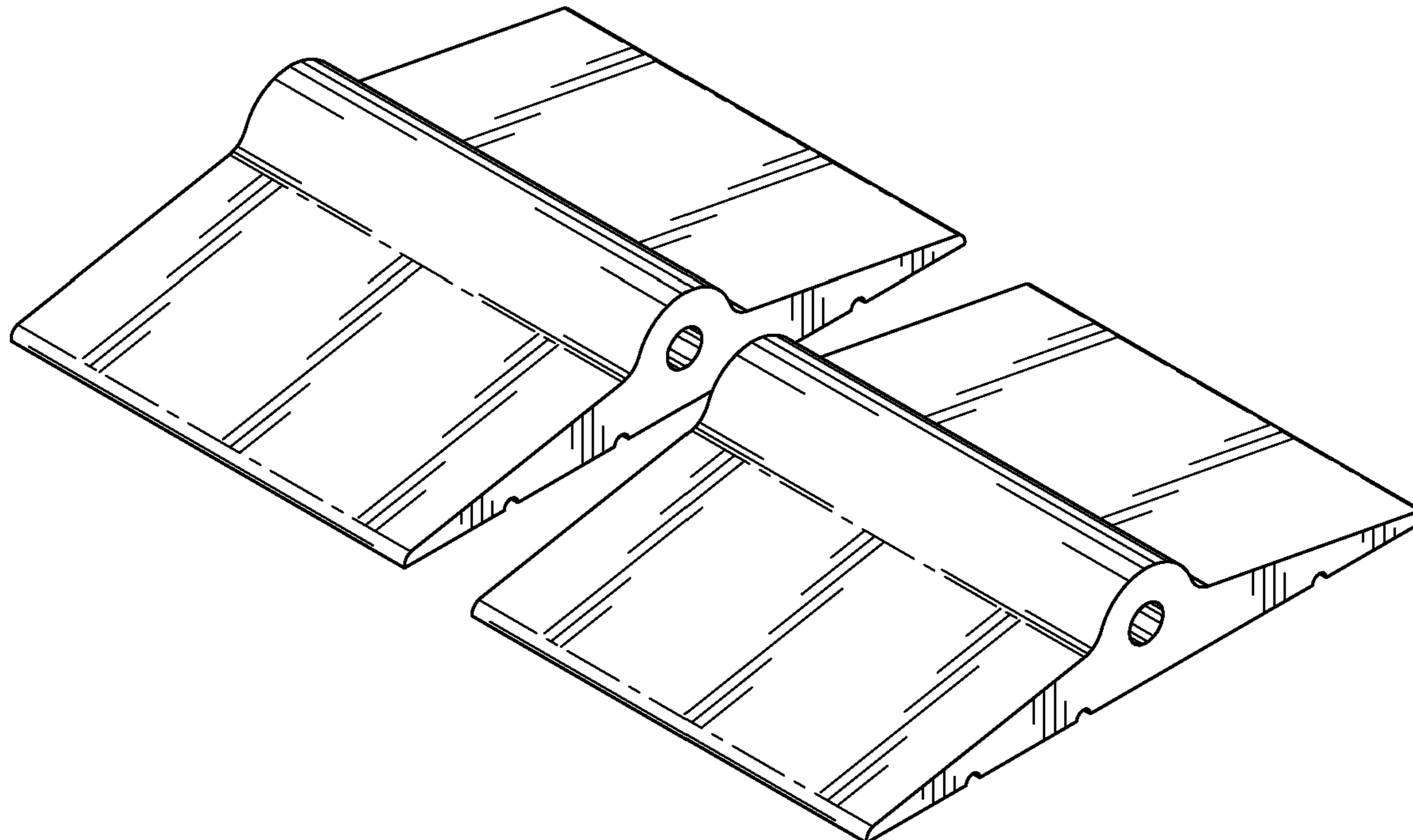
FIG. 4 is a top view thereof;

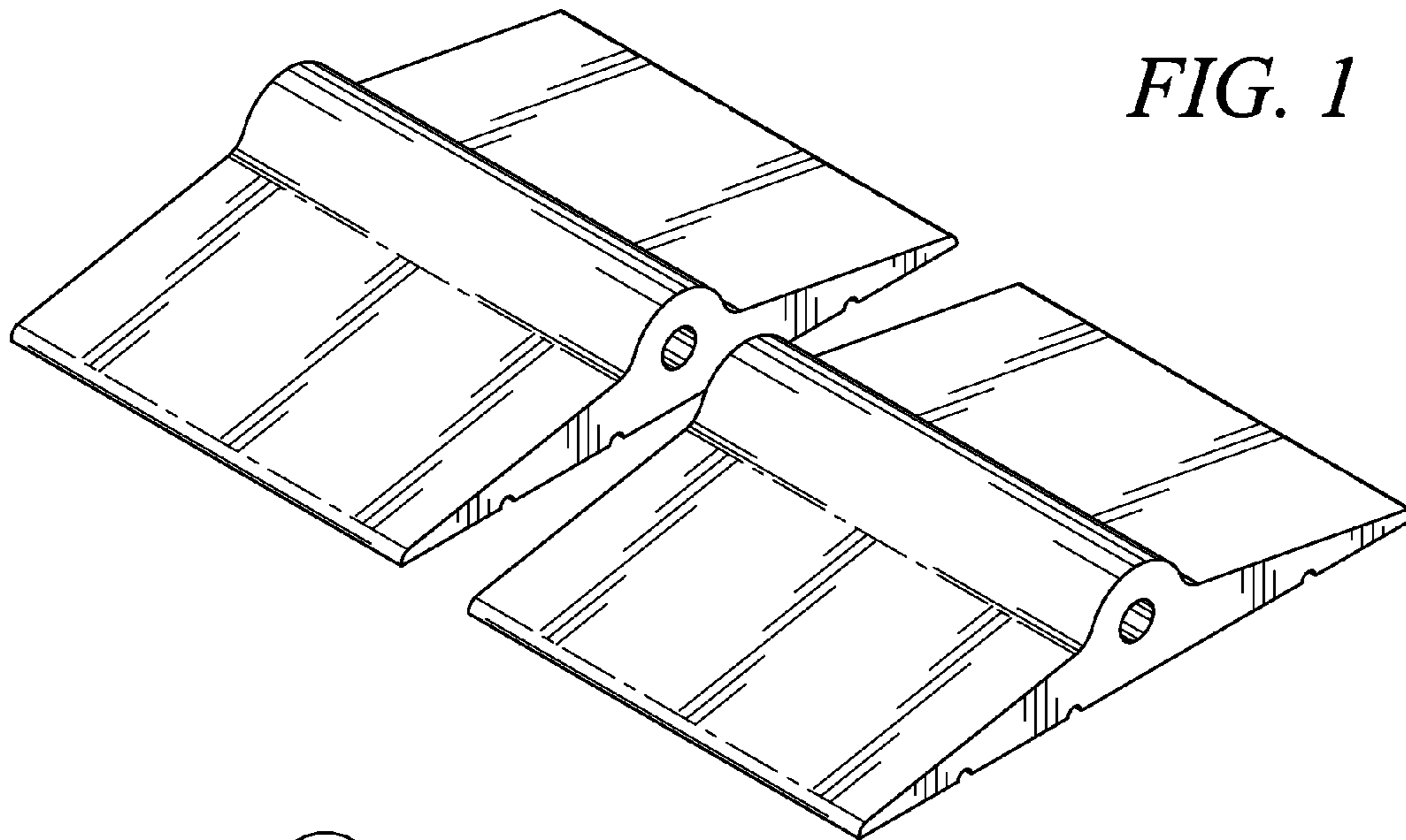
FIG. 5 is a bottom view thereof;

FIG. 6 is a side view of the door threshold in use, wherein no claim is made to the matter represented by dashed lines which forms environmental structure; and,

FIG. 7 is an alternate side view of the door threshold in use.

**1 Claim, 2 Drawing Sheets**

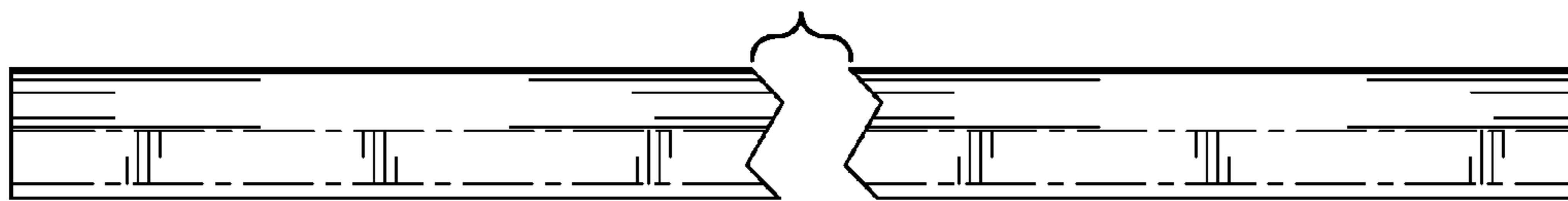




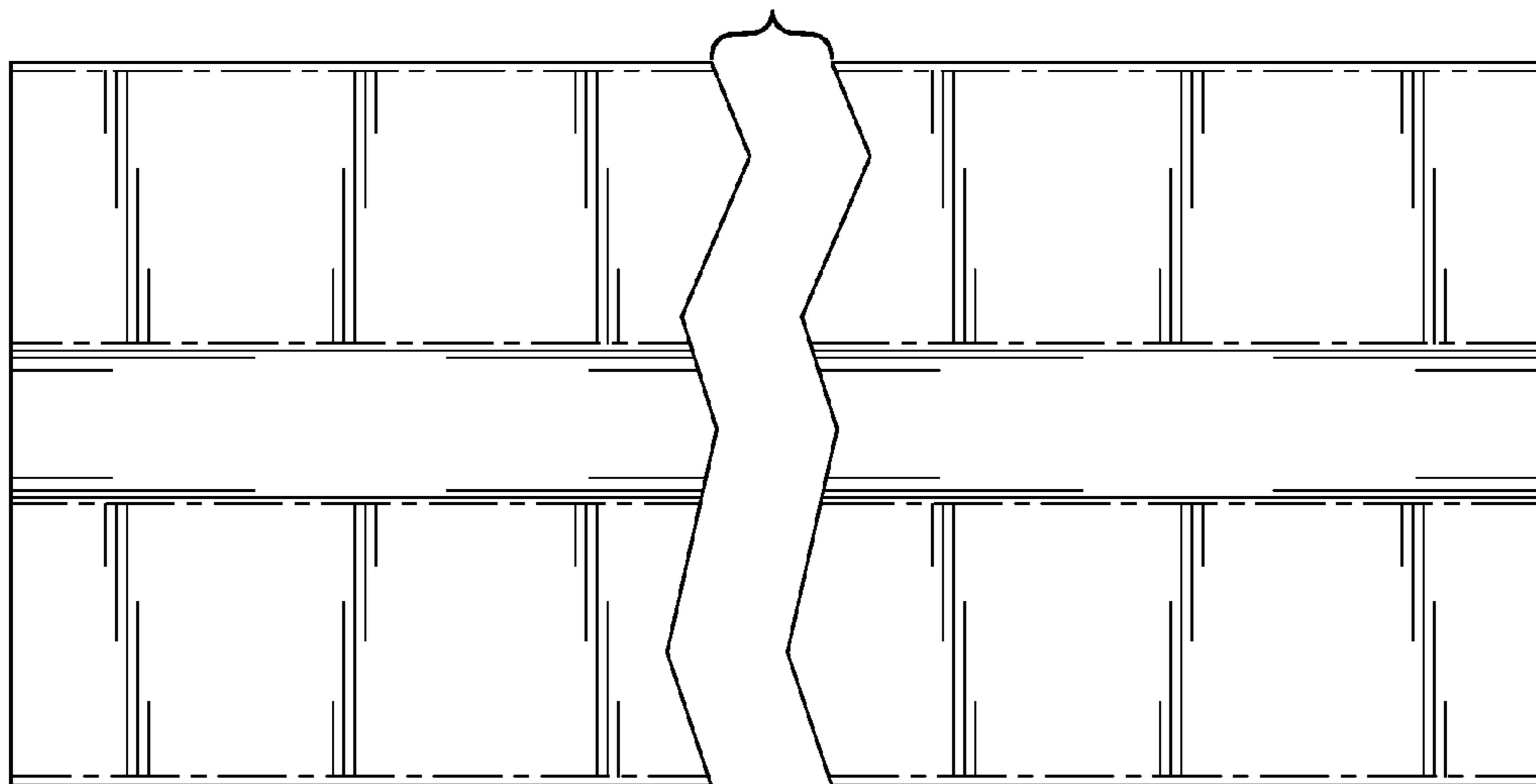
*FIG. 1*



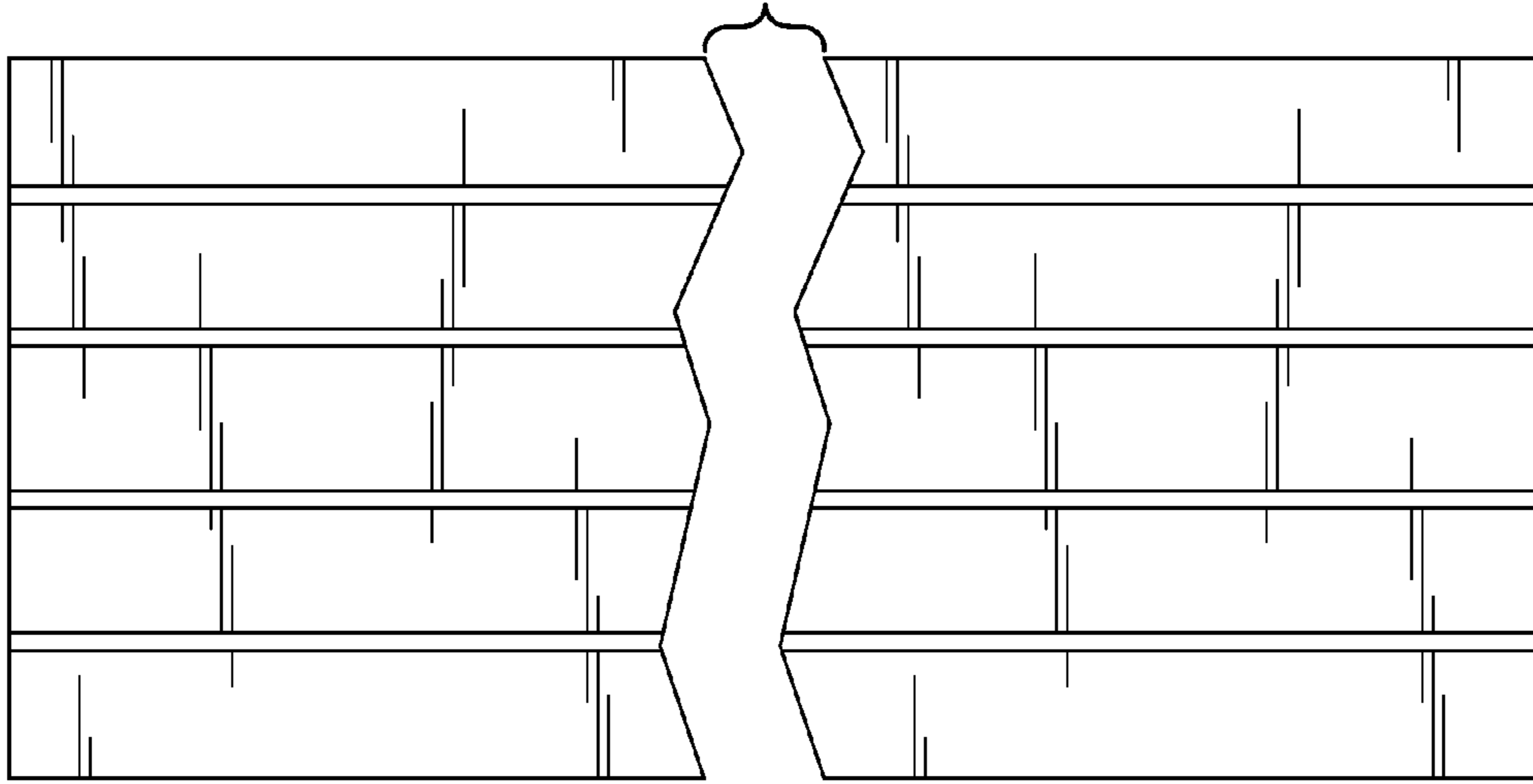
*FIG. 2*



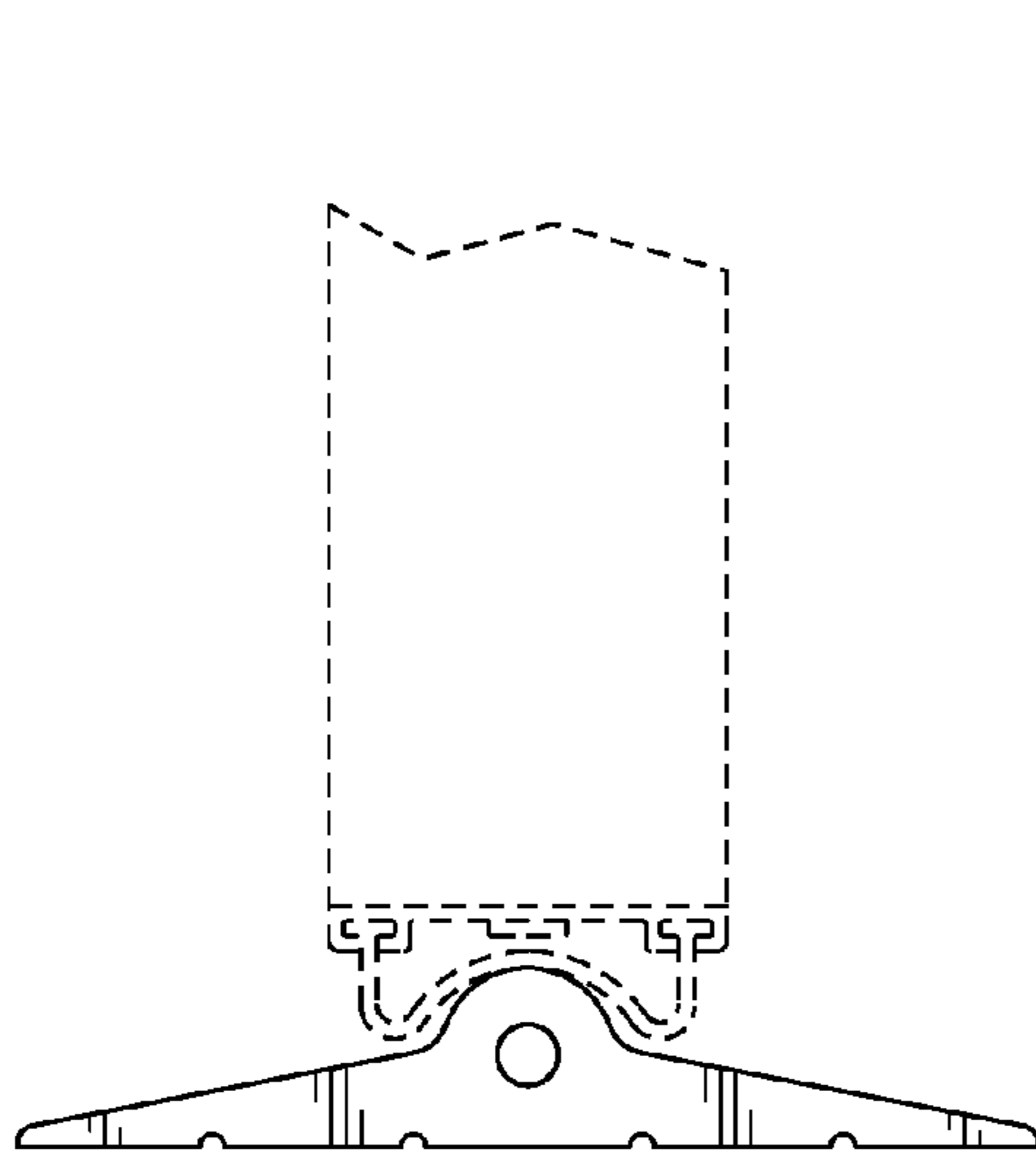
*FIG. 3*



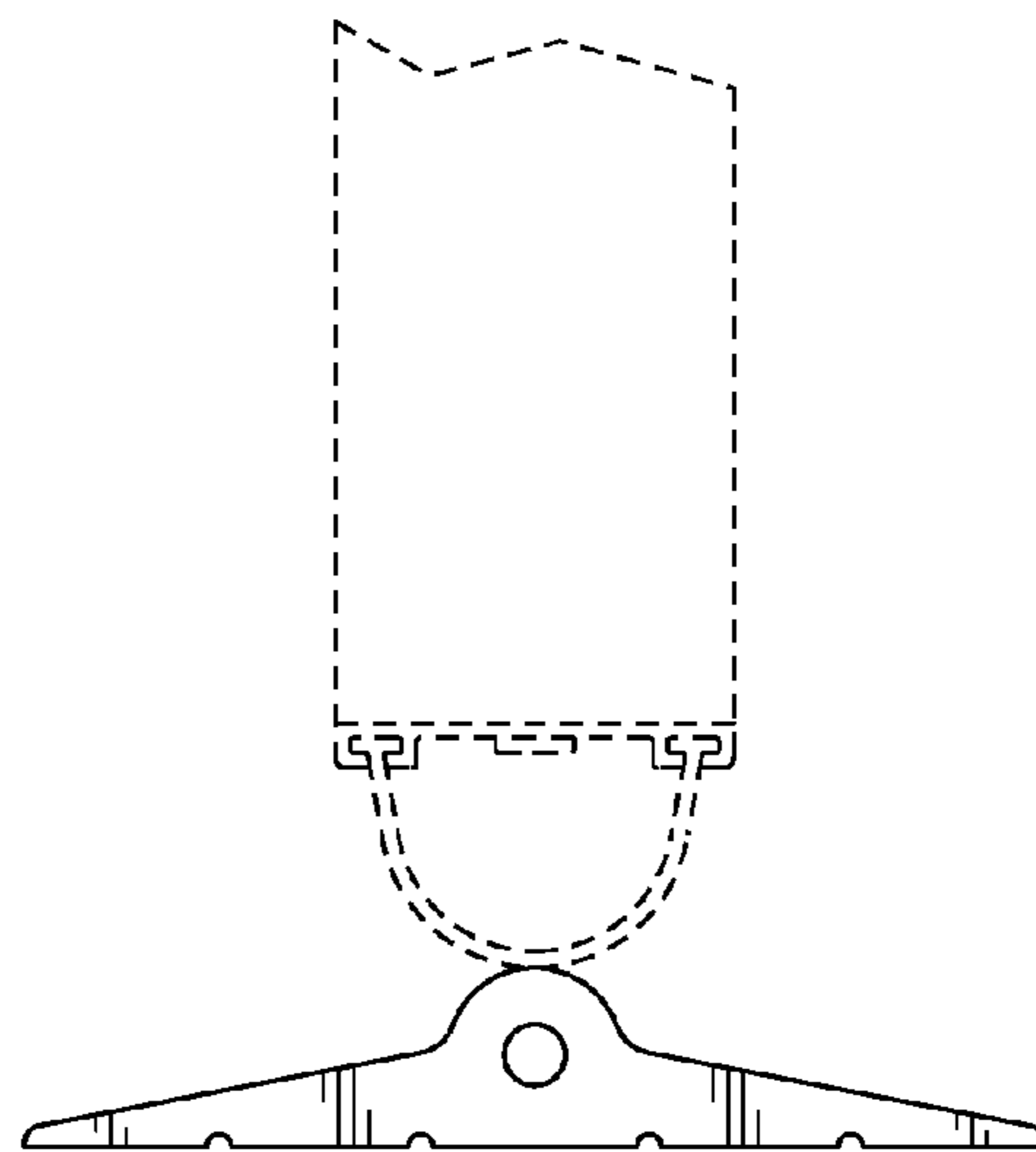
*FIG. 4*



*FIG. 5*



*FIG. 6*



*FIG. 7*