



US00D563567S

(12) **United States Design Patent**  
**Fischer**

(10) **Patent No.:** **US D563,567 S**  
(45) **Date of Patent:** **\*\* Mar. 4, 2008**

(54) **SLATWALL COVER WITH HARDWARE TRACK**

(76) Inventor: **James R. Fischer**, 1717 Twin Oaks La., Sheboygan, WI (US) 53083

(\*\*) Term: **14 Years**

(21) Appl. No.: **29/220,834**

(22) Filed: **Jan. 7, 2005**

(51) **LOC (8) Cl.** ..... **25-01**

(52) **U.S. Cl.** ..... **D25/119**

(58) **Field of Classification Search** ..... D25/119,  
D25/138, 58, 163, 123; 52/36.5, 36.6; 211/41.15,  
211/134, 162, 87.01, 90.01, 94.01; 312/132  
See application file for complete search history.

(56) **References Cited**

U.S. PATENT DOCUMENTS

4,615,448	A	10/1986	Johnstonbaugh	.....	211/94
4,938,366	A *	7/1990	Carroll	.....	211/55
5,390,462	A	2/1995	Kreiter	.....	52/506.05
D408,558	S *	4/1999	Levy	.....	D25/119
6,134,846	A *	10/2000	Lamb	.....	52/36.5
6,220,461	B1 *	4/2001	Dickinson	.....	211/90.01
6,363,645	B1 *	4/2002	Hunter	.....	40/618

\* cited by examiner

*Primary Examiner*—Doris Clark

(74) *Attorney, Agent, or Firm*—Jeffrey S. Sokol; Cook & Franke S.C.

(57) **CLAIM**

The ornamental design of the slatwall cover with hardware track, as shown and described.

**DESCRIPTION**

FIG. 1 is a perspective view of the new slatwall cover with hardware track;

FIG. 2 is a front view of the slatwall cover with hardware track;

FIG. 3 is a rear view of the slatwall cover with hardware track;

FIG. 4 is a top end view of the slatwall cover with hardware track;

FIG. 5 is a bottom end view of the slatwall cover with hardware track;

FIG. 6 is a side view of the slatwall cover with hardware track; and,

FIG. 7 is a side view of a the slatwall cover with hardware track design showing it secured to one panel of a multi-panel slatwall with said hardware track receiving a lower end of a hanger, said slatwall and hanger being shown in phantom.

The side view opposite FIG. 6 is a mirror image. The broken lines showing the multi-panel slatwall supporting a hanger in FIG. 7 are for illustrative purposes only and form no part of the claimed design. The remaining broken lines in the drawings are to disclose the indeterminate length of the slatwall cover with hardware track and the indeterminate height of its mid section.

**1 Claim, 4 Drawing Sheets**

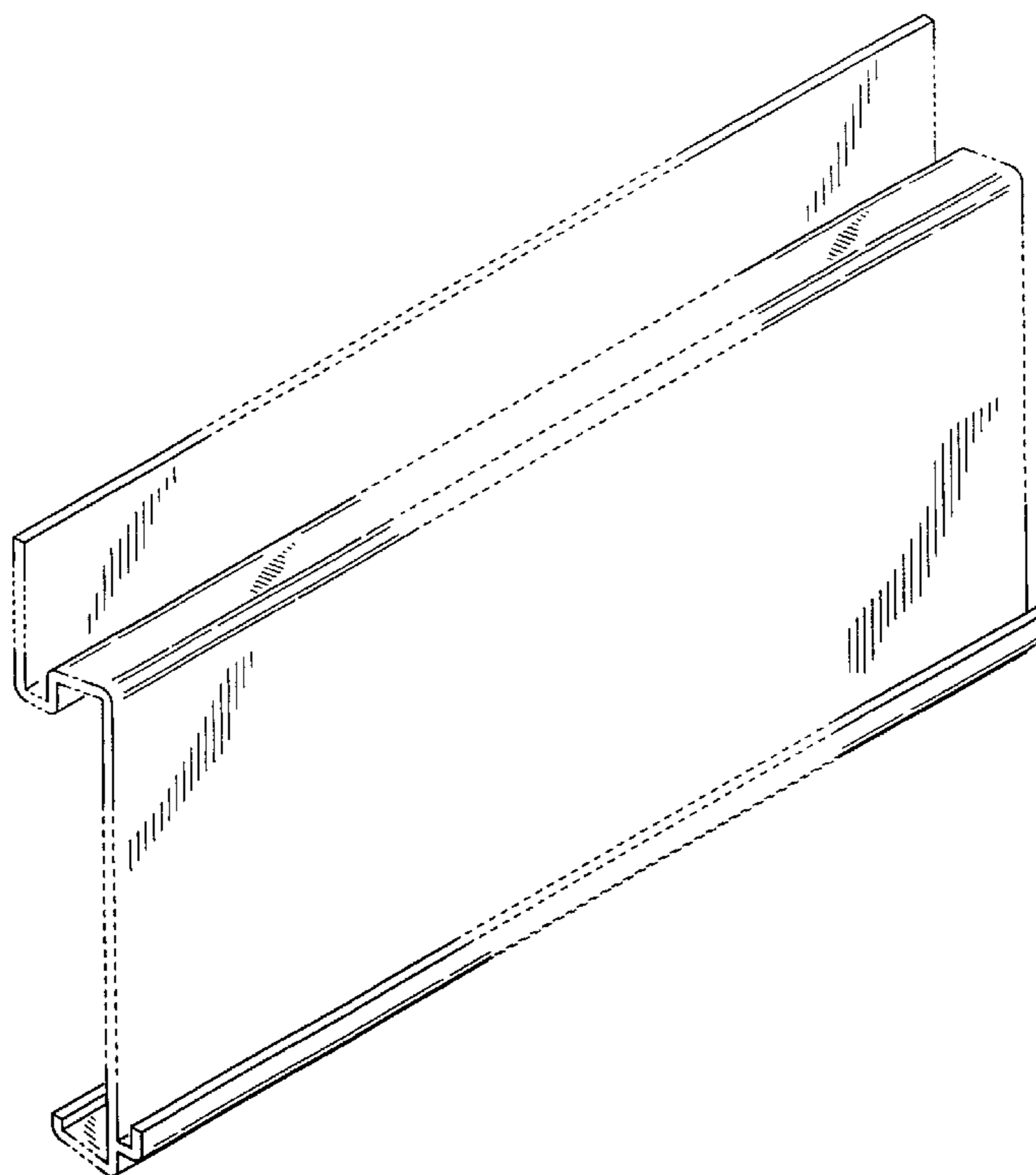


FIG. 1

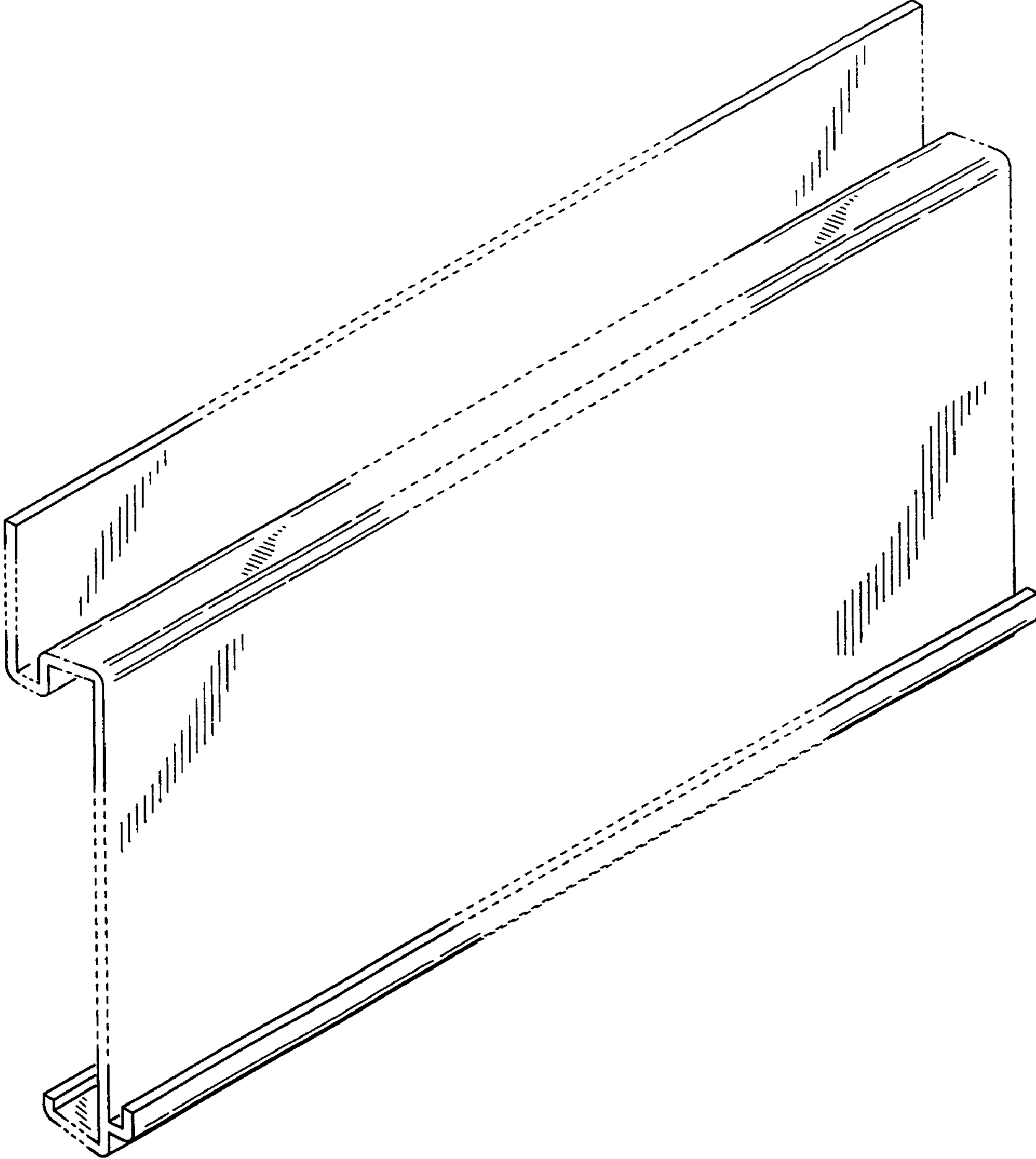


FIG. 2

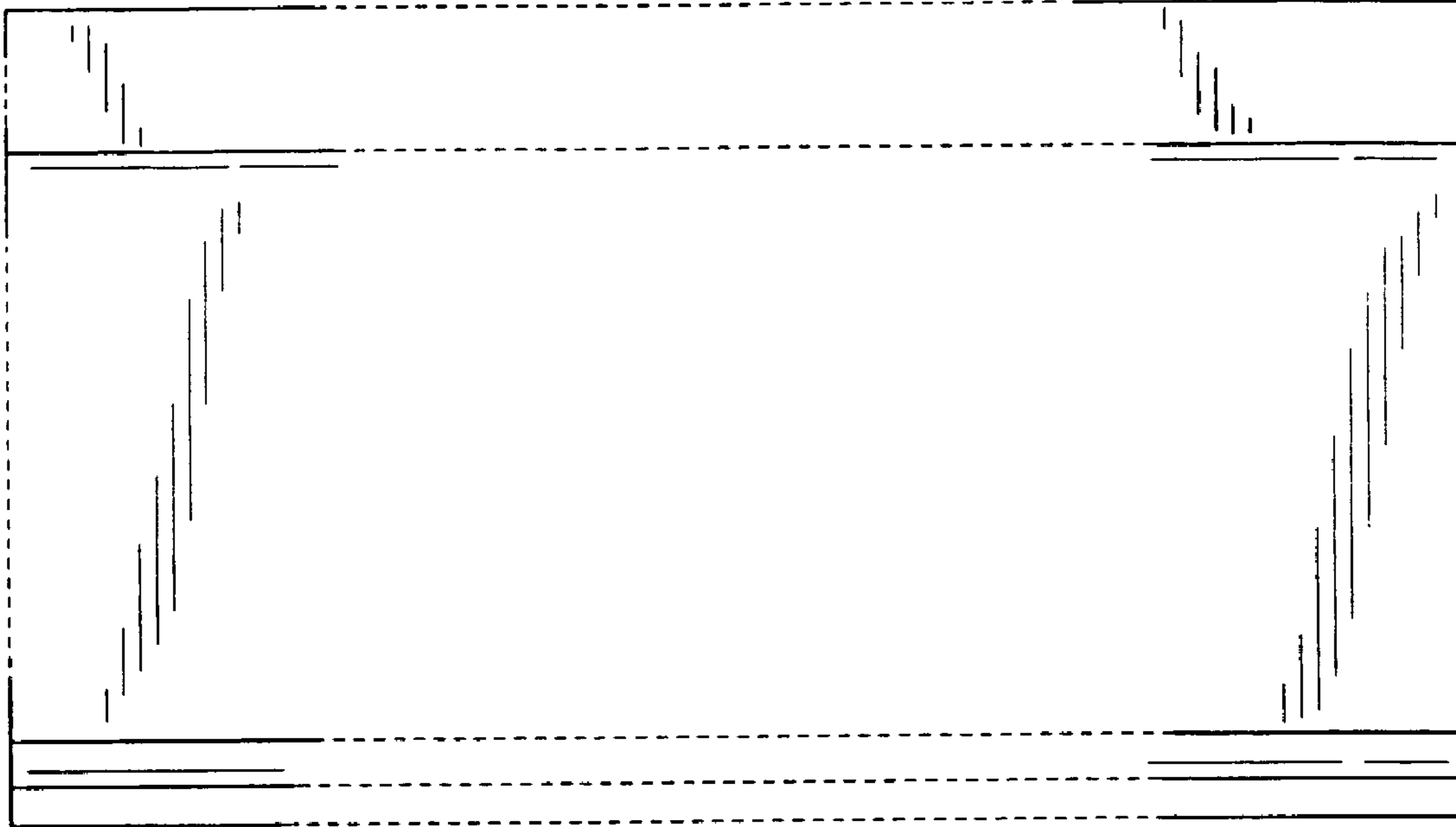


FIG. 3

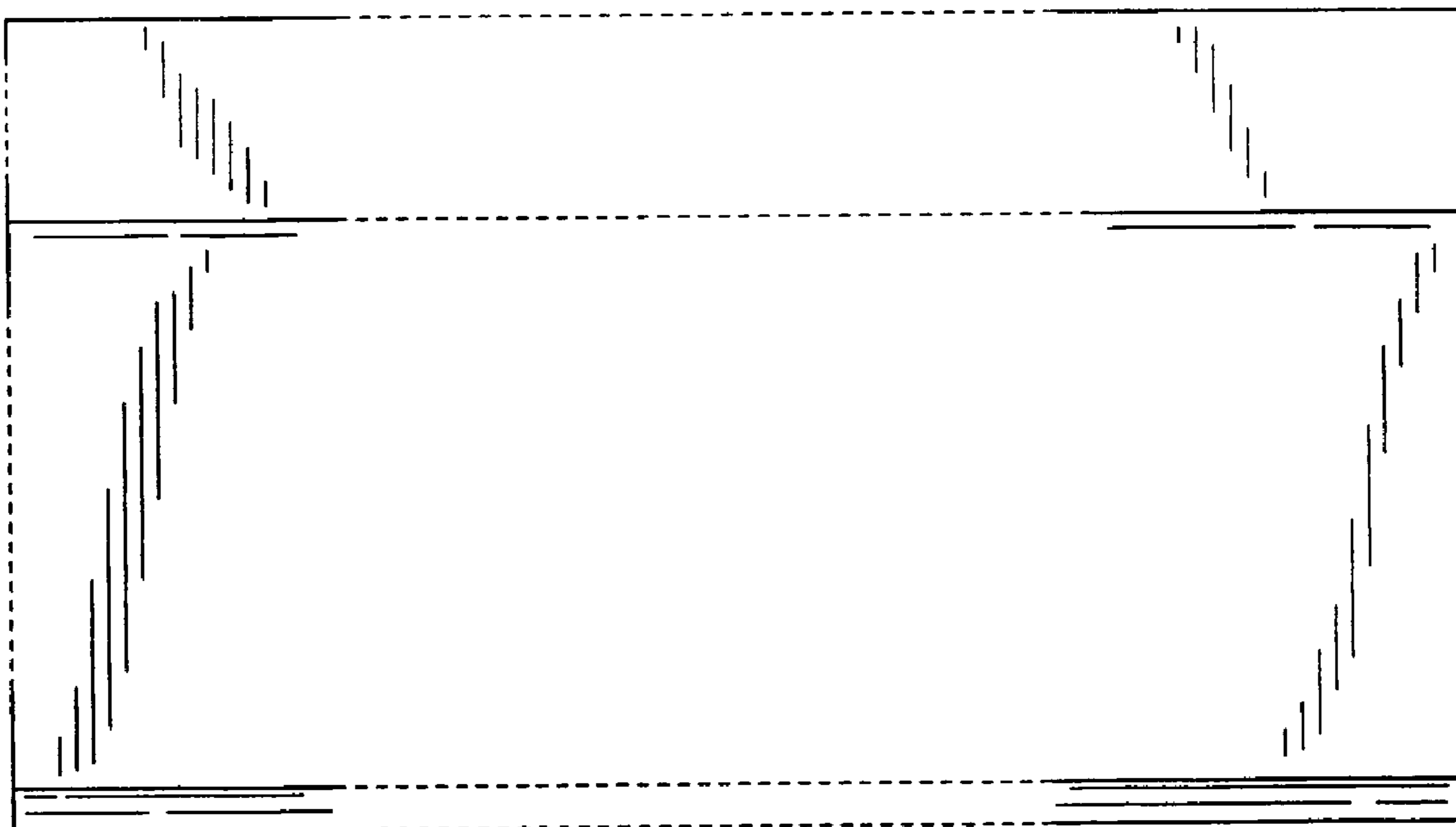


FIG. 4

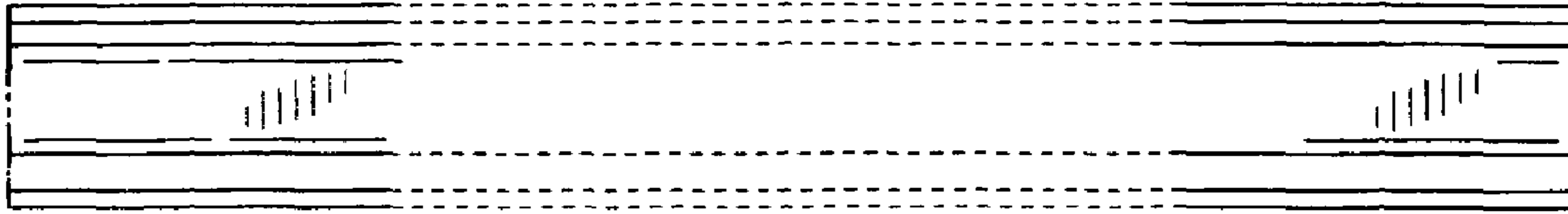


FIG. 5

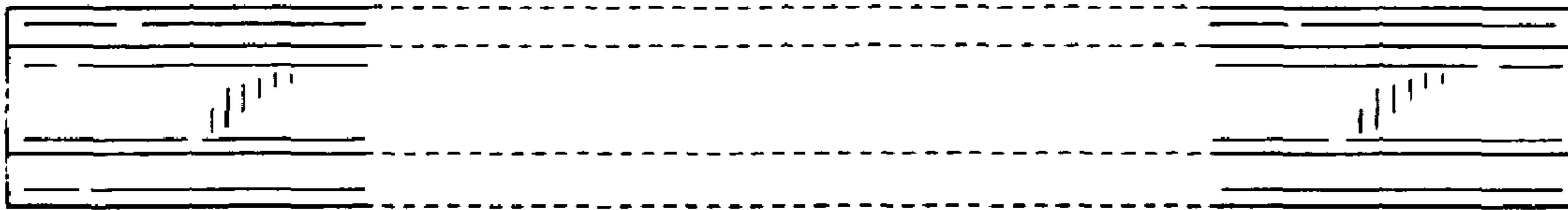
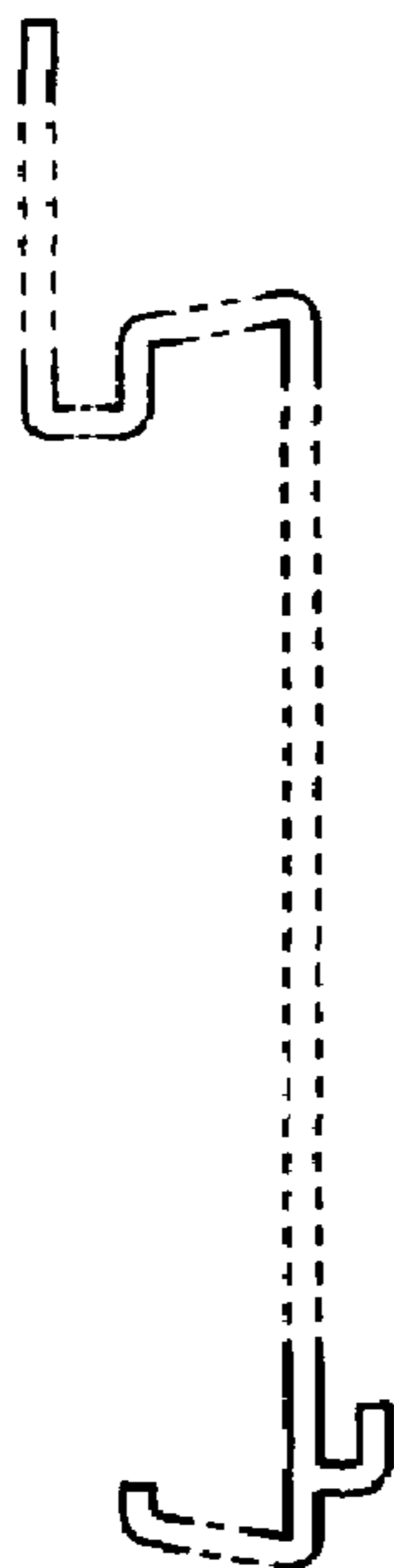


FIG. 6



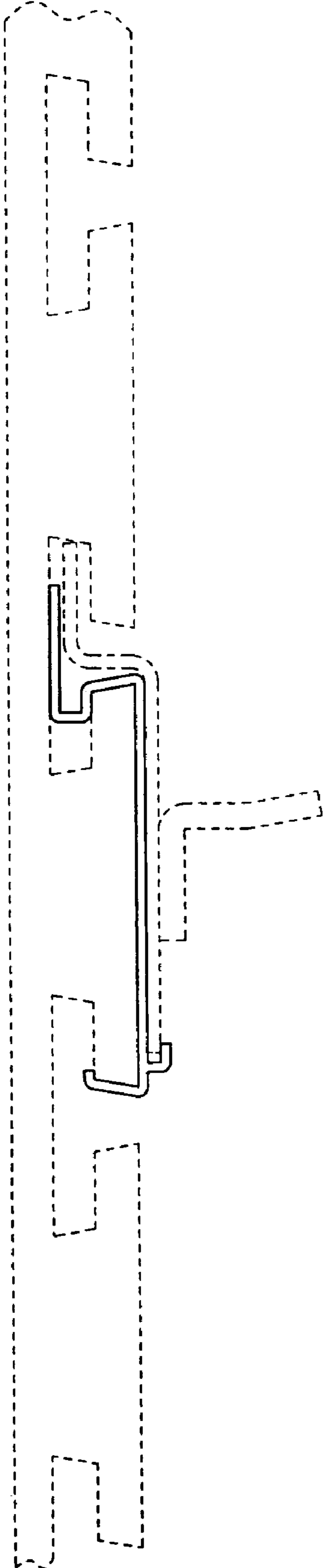


FIG. 7