

US00D563565S

(12) **United States Design Patent**
Gardner

(10) **Patent No.:** **US D563,565 S**
(45) **Date of Patent:** **** Mar. 4, 2008**

(54) **PORTION OF STAIRCASE**

(76) Inventor: **William Gardner**, 8690 Stair Way NE.,
Salem, OR (US) 97305

(**) Term: **14 Years**

(21) Appl. No.: **29/263,199**

(22) Filed: **Jul. 17, 2006**

(51) **LOC (8) Cl.** **25-04**

(52) **U.S. Cl.** **D25/69**

(58) **Field of Classification Search** D25/69;
182/188, 190

See application file for complete search history.

(56) **References Cited**

U.S. PATENT DOCUMENTS

4,151,320	A	4/1979	Naka	
4,322,927	A	4/1982	Scott	
4,985,095	A *	1/1991	Riddle	156/64
5,357,724	A *	10/1994	Sonoda	52/182
D363,785	S *	10/1995	Davies	D25/69
D415,289	S *	10/1999	Dalton	D25/69
6,082,061	A	7/2000	Ryan	
6,173,540	B1 *	1/2001	Spivey	52/182
D463,039	S *	9/2002	Tseng	D25/69

OTHER PUBLICATIONS

Pages of McNichols Co. website, "Expanded Grating Stair Treads—Standard Unitread®," <http://www.mcnichols.com/products/stairtreads/expanded/> (2 pages) copyright 2006.

Pages of Loxscreen Company, Inc. website, "Bengard Floor Moulding—Aluminum Stair Nosing," http://www.loxscreen.com/floor/bengardfloor_stairnosing.htm (3 pages) 2003.

Wooster Products, Inc. specification sheet for Abrasive Cast Safety Treads and Nosings—Type 100, Jan. 2005 (1 page).

Wooster Products, Inc. specification sheet for Abrasive Cast Safety Treads and Nosings—Type 101, Jan. 2005 (1 page).

Wooster Products, Inc. specification sheet for Spectra® Safety Treads—Type WP24, Oct. 2003 (1 page).

Wooster Products, Inc. specification sheet for Spectra® Safety Treads—Type WP3C, Feb. 2003 (1 page).

Wooster Products, Inc. sales bulletin, "Spectra® Safety Treads" (1 page) Jan. 2005.

* cited by examiner

Primary Examiner—Doris Clark

(74) *Attorney, Agent, or Firm*—Klarquist Sparkman, LLP

(57) **CLAIM**

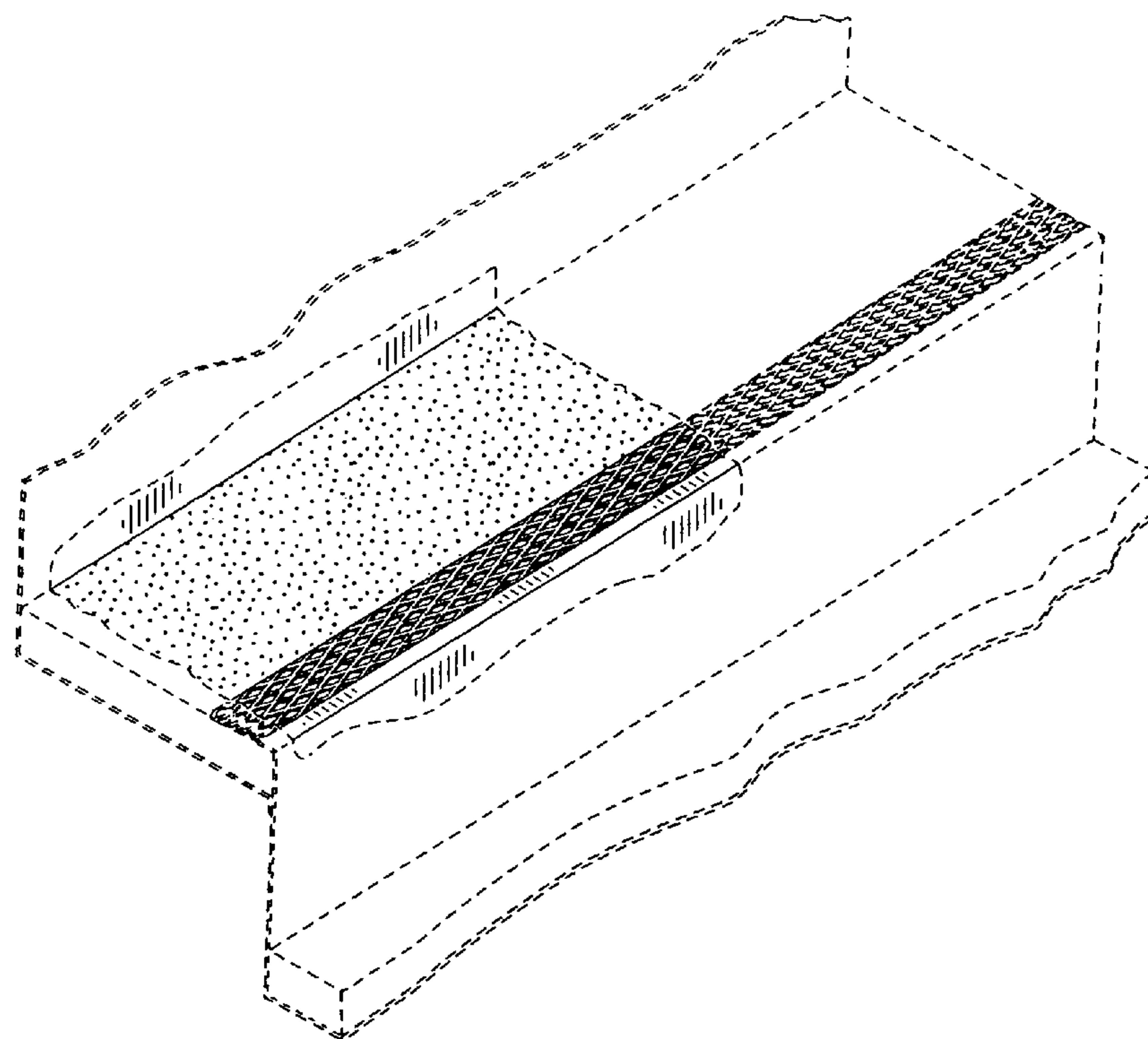
I claim the ornamental design for a portion of a staircase, as shown and described.

DESCRIPTION

FIG. 1 is a perspective view of a portion of a staircase; and, FIG. 2 is a top plan view of the portion of a staircase shown in FIG. 1.

The broken lines in the drawings are for illustrative purposes only and form no part of the claimed design.

1 Claim, 1 Drawing Sheet



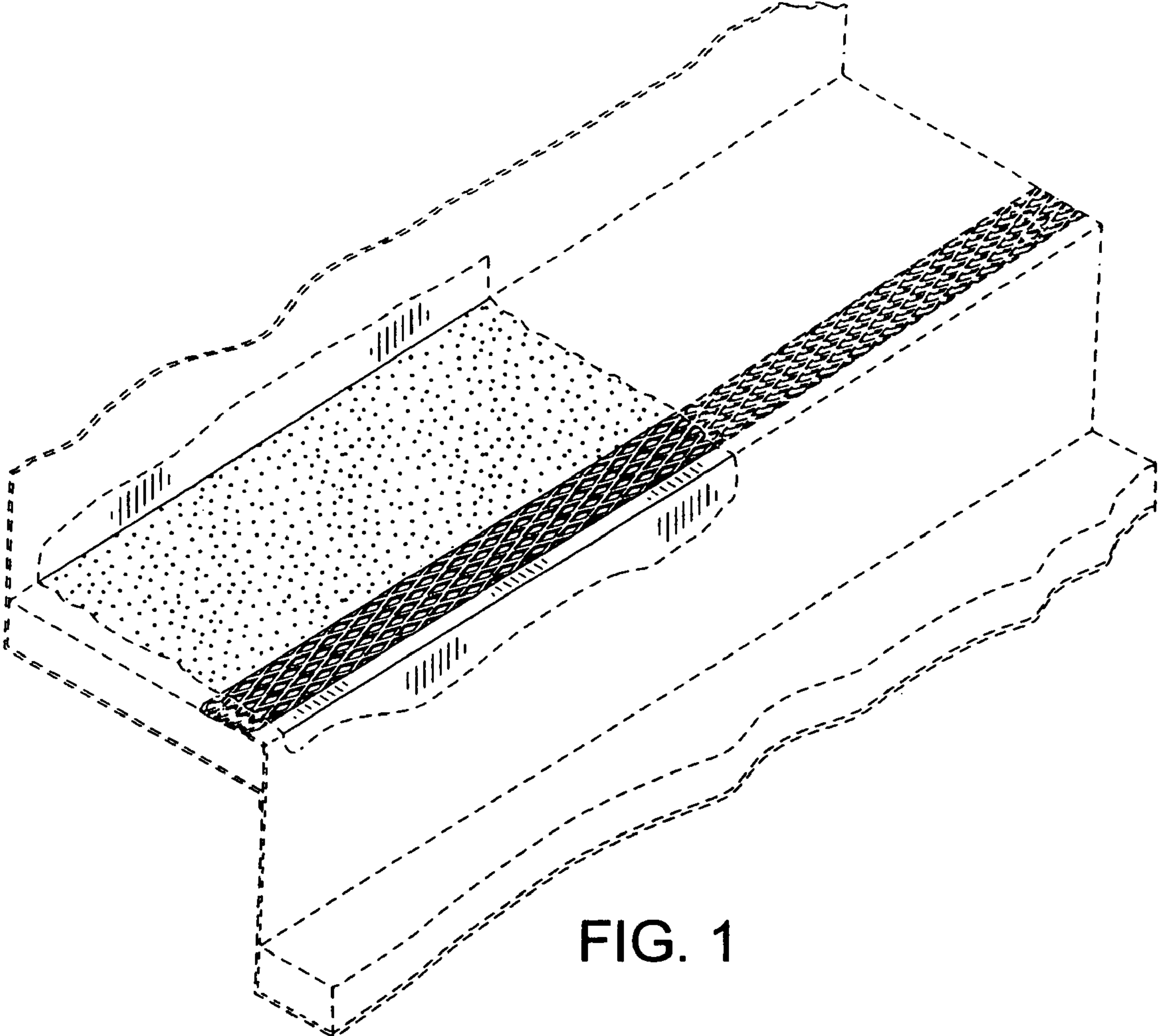


FIG. 1

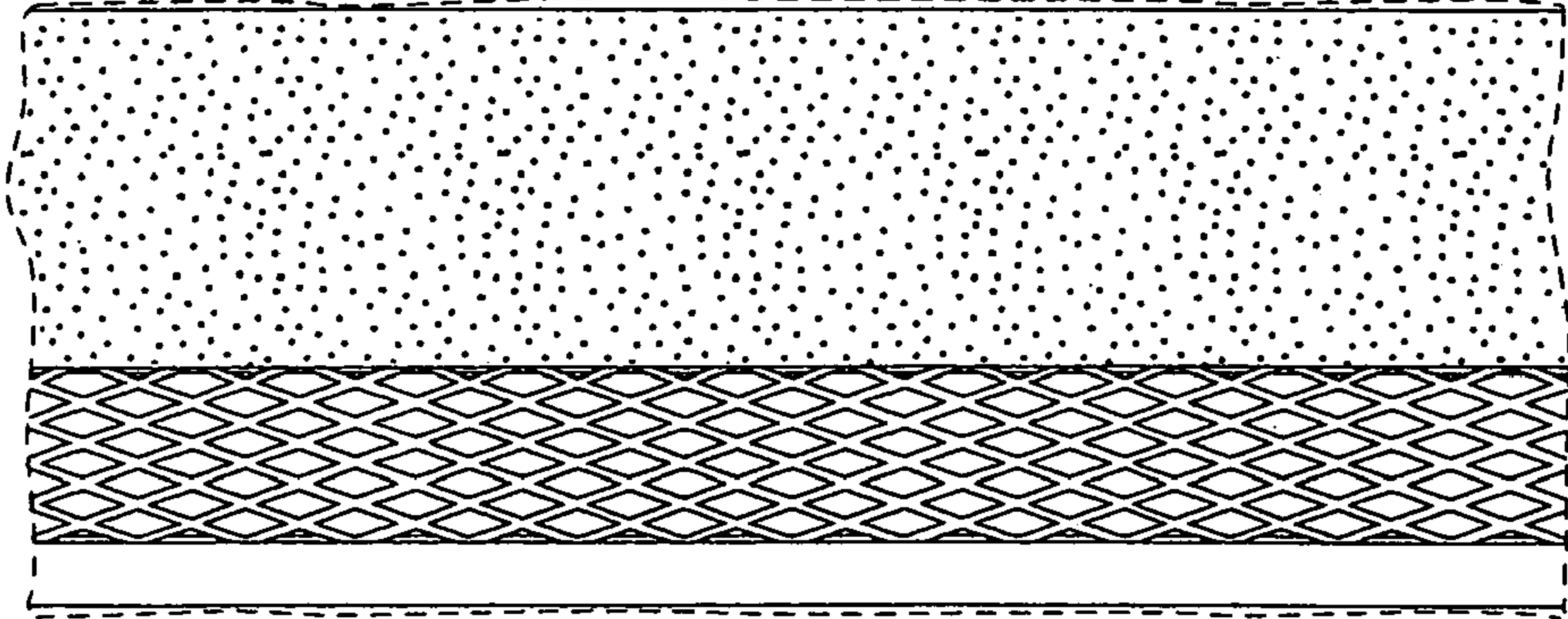


FIG. 2

UNITED STATES PATENT AND TRADEMARK OFFICE
CERTIFICATE OF CORRECTION

PATENT NO. : Des. 563,565 S
APPLICATION NO. : 29/263199
DATED : March 4, 2008
INVENTOR(S) : William Gardner

Page 1 of 1

It is certified that error appears in the above-identified patent and that said Letters Patent is hereby corrected as shown below:

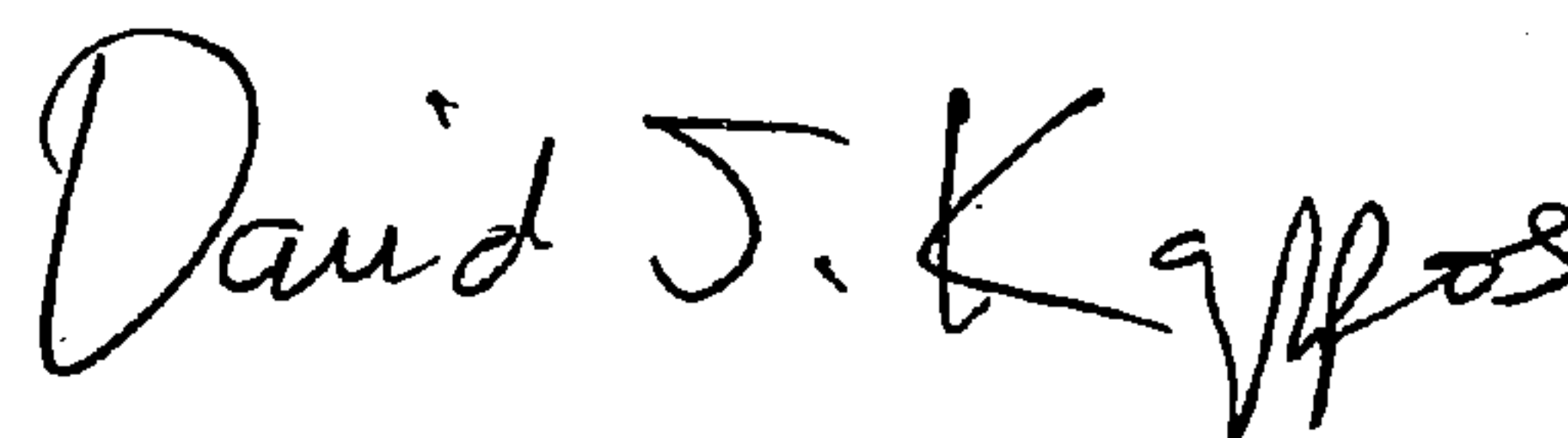
Title Page, Column 2, lines 2-3,

“http://www.loxscreen.com/floor/bengardfloor_stairnosing.htm” should read

--http://www.loxscreen.com/floor/bengardfloor/floor_stairnosing.htm--

Signed and Sealed this

Sixth Day of April, 2010



David J. Kappos
Director of the United States Patent and Trademark Office