



US00D563563S

(12) **United States Design Patent**  
**Llagostera Forns**

(10) **Patent No.:** **US D563,563 S**  
(45) **Date of Patent:** **\*\* Mar. 4, 2008**

(54) **ARTICULATED FRAME FOR FOLDING AWNINGS**

*Primary Examiner*—Doris Clark  
(74) *Attorney, Agent, or Firm*—RatnerPrestia

(75) Inventor: **Joan Llagostera Forns**, Reus (ES)

(57) **CLAIM**

(73) Assignee: **LLAZA, S.A.**, Reus (Tarragona) (ES)

The ornamental design for an articulated frame for folding awnings, as shown and described.

(\*\*) Term: **14 Years**

(21) Appl. No.: **29/253,942**

(22) Filed: **Feb. 15, 2006**

(51) **LOC (8) Cl.** ..... **25-02**

(52) **U.S. Cl.** ..... **D25/57**

(58) **Field of Classification Search** ..... D25/57,  
D25/61; 160/239, 269, 38, 371, 381, 45,  
160/46, 67, 22, 69, 78, 79; 52/75, 73  
See application file for complete search history.

**DESCRIPTION**

FIG. 1 is a front perspective view of an articulated frame for folding awnings;

FIG. 2 is an enlarged fragmented front perspective view in folded position;

FIG. 3 is an enlarged fragmented front elevation view in folded position;

FIG. 4 is an enlarged top plan fragmented view in folded position;

FIG. 5 is an enlarged fragmented rear elevation view in extended position;

FIG. 6 is an enlarged fragmented bottom plan view in extended position; and,

FIG. 7 is a rear perspective view in extended position.

The arms of the claimed design are broken indicating indeterminate length.

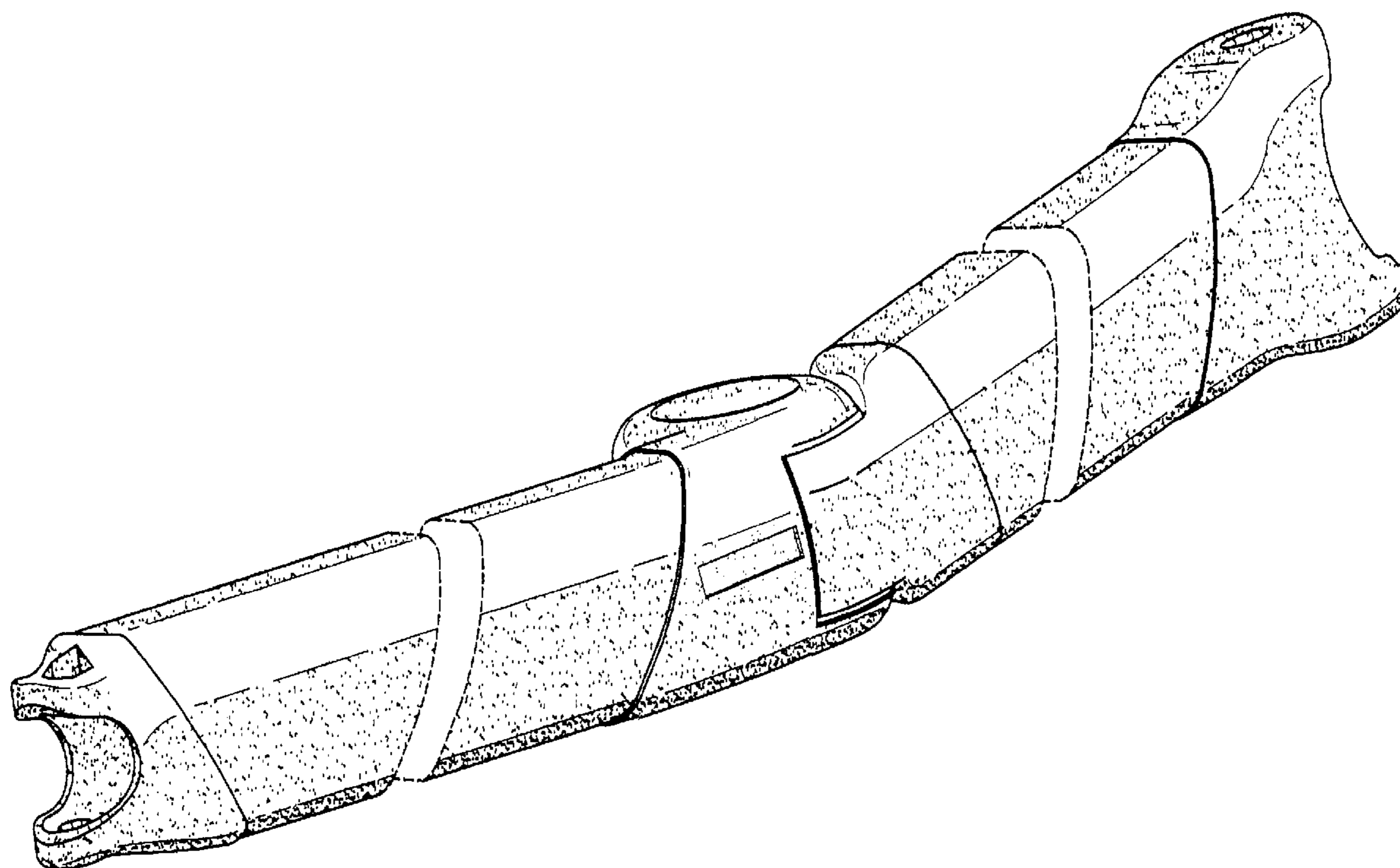
(56) **References Cited**

**U.S. PATENT DOCUMENTS**

4,724,882	A *	2/1988	Wang	.....	160/69
5,273,095	A *	12/1993	Lukos	.....	160/70
5,752,560	A *	5/1998	Cherng	.....	160/370.22
6,557,612	B2 *	5/2003	Voss	.....	160/79
D485,620	S	1/2004	Detering		

\* cited by examiner

**1 Claim, 7 Drawing Sheets**



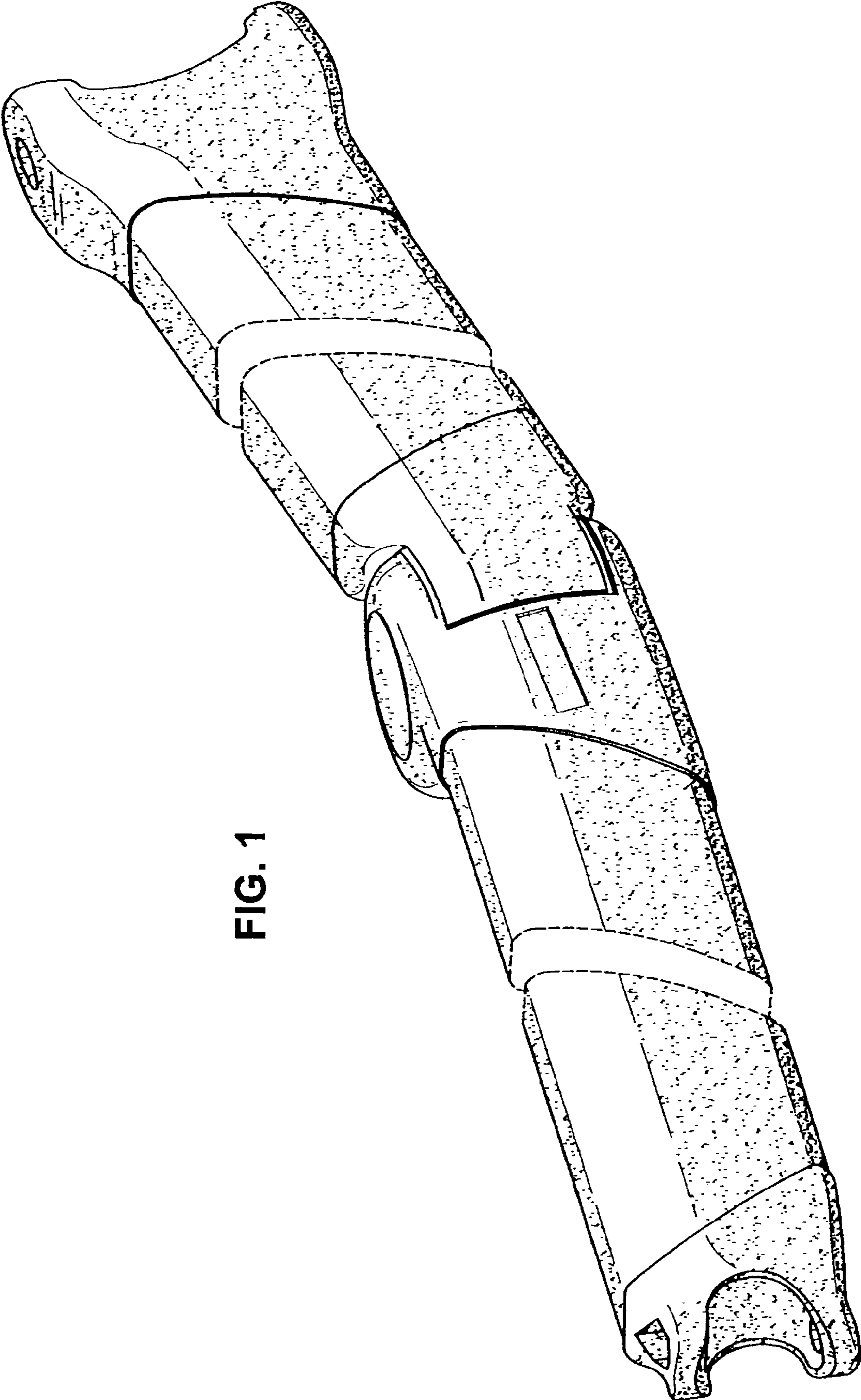
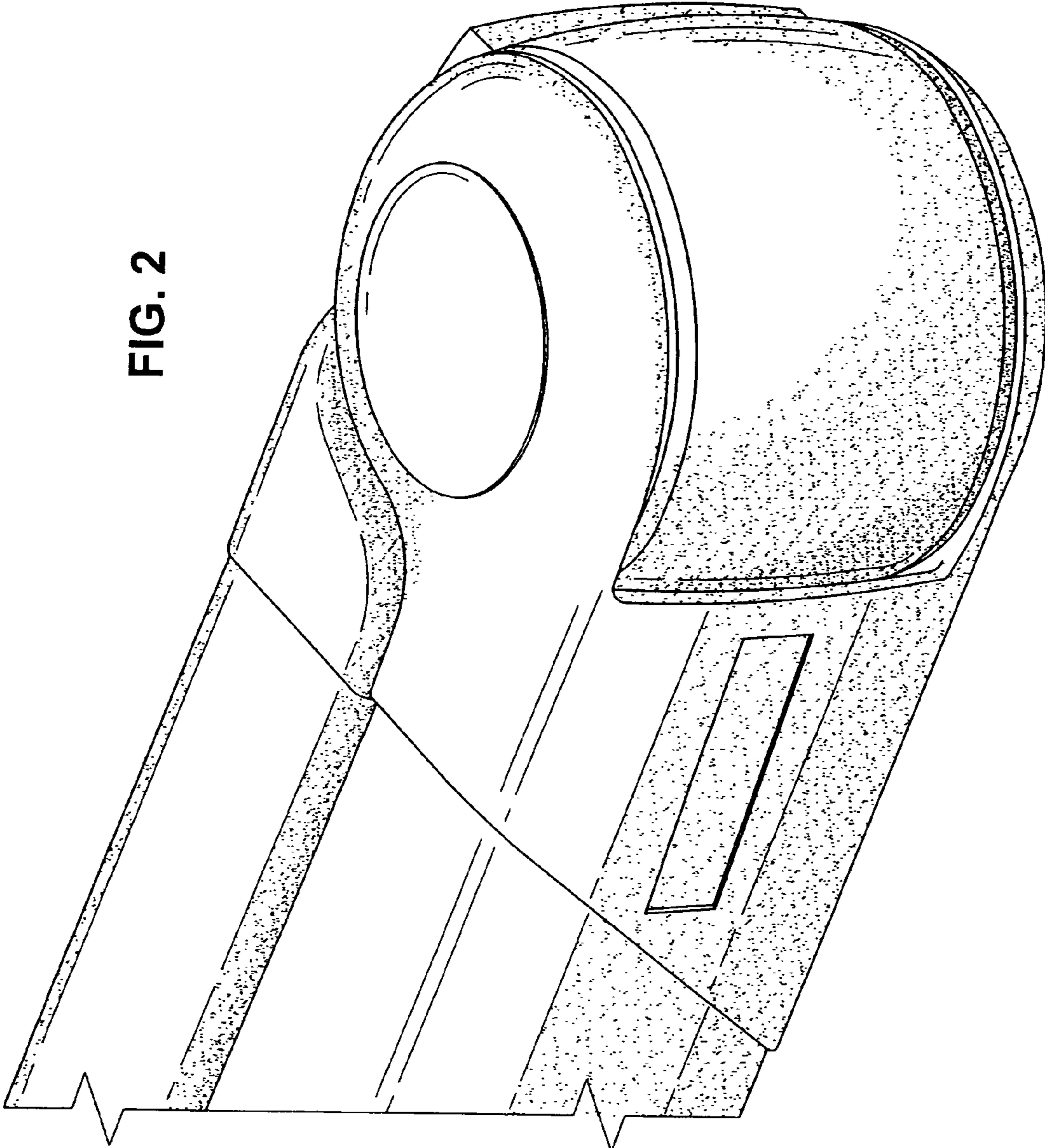


FIG. 1

FIG. 2



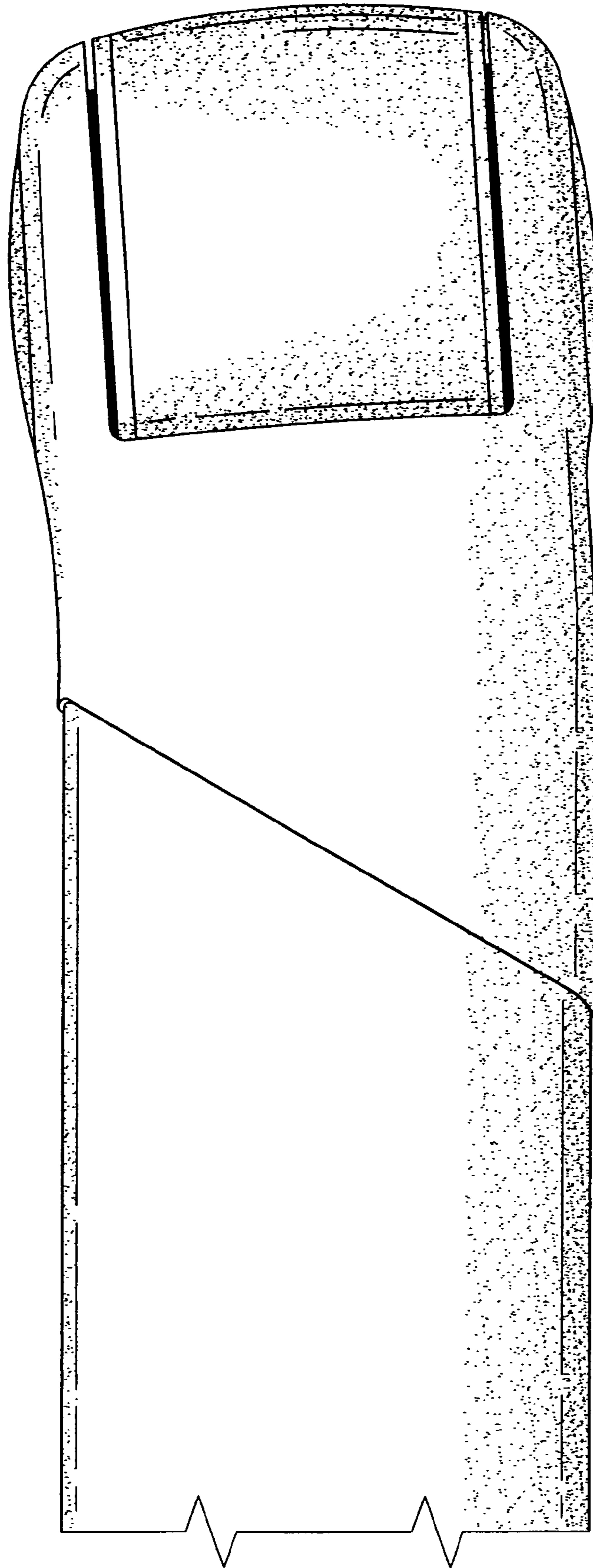


FIG. 3

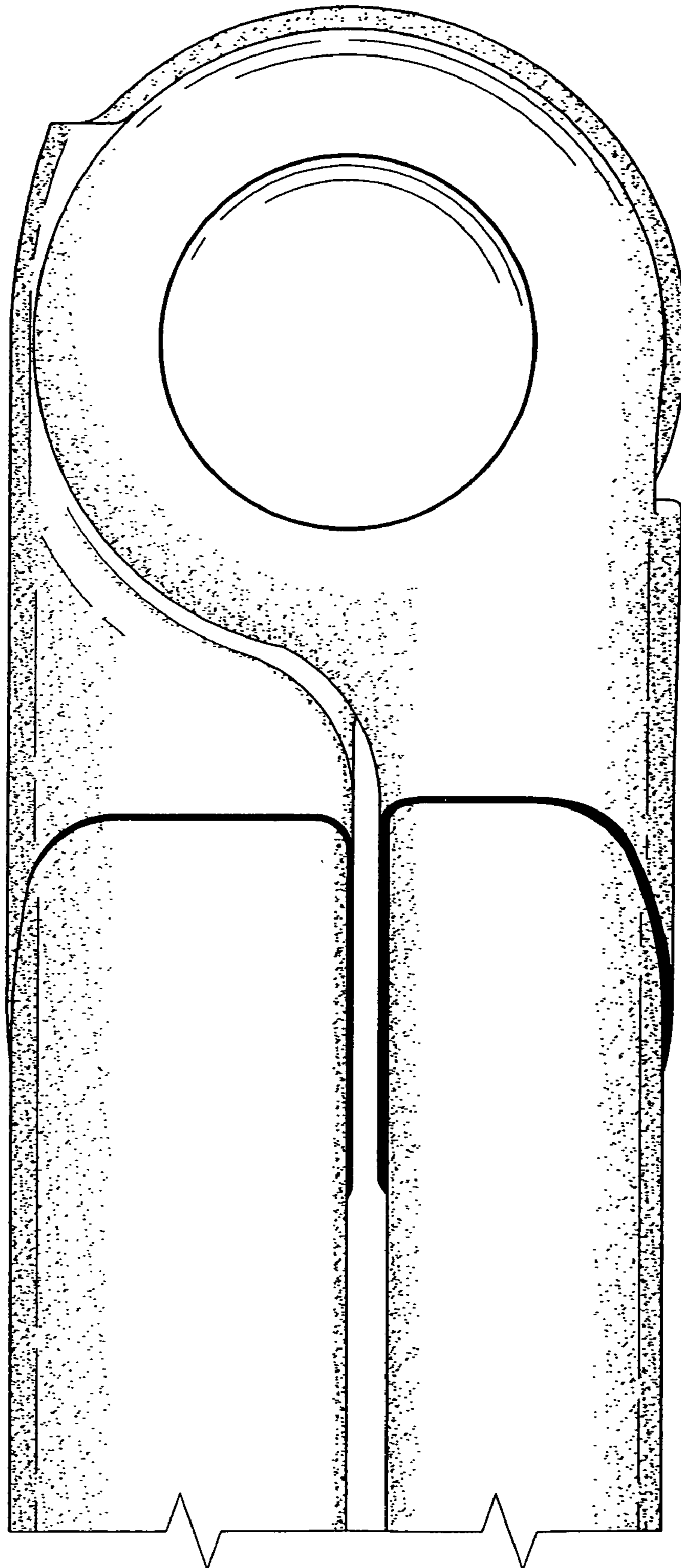


FIG. 4

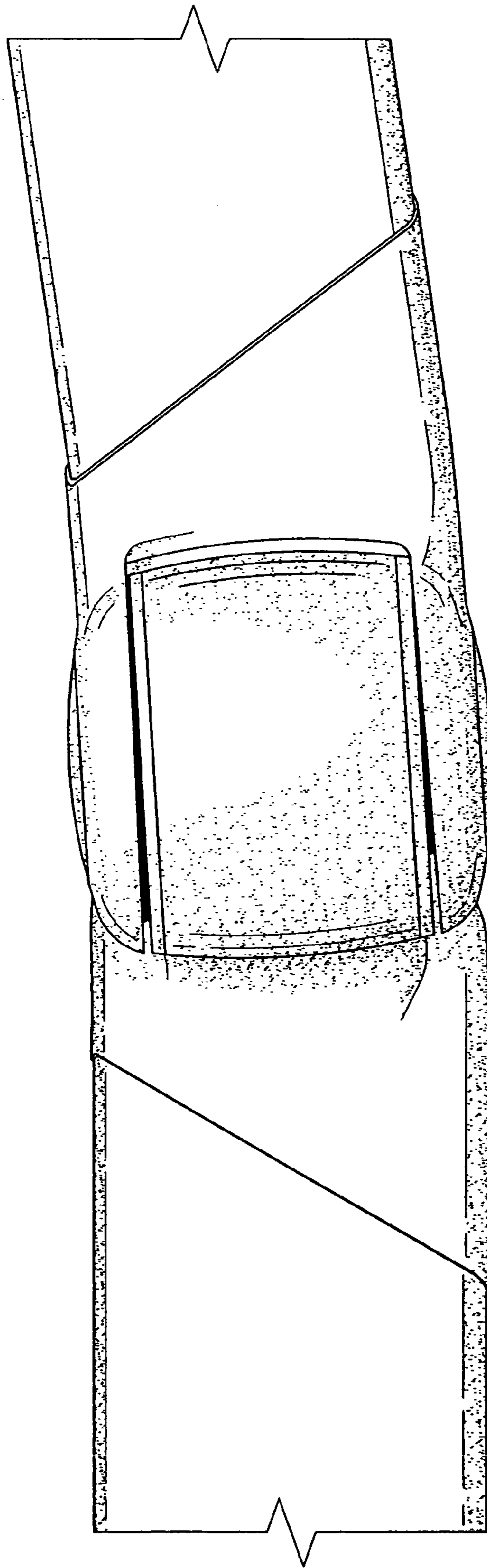


FIG. 5

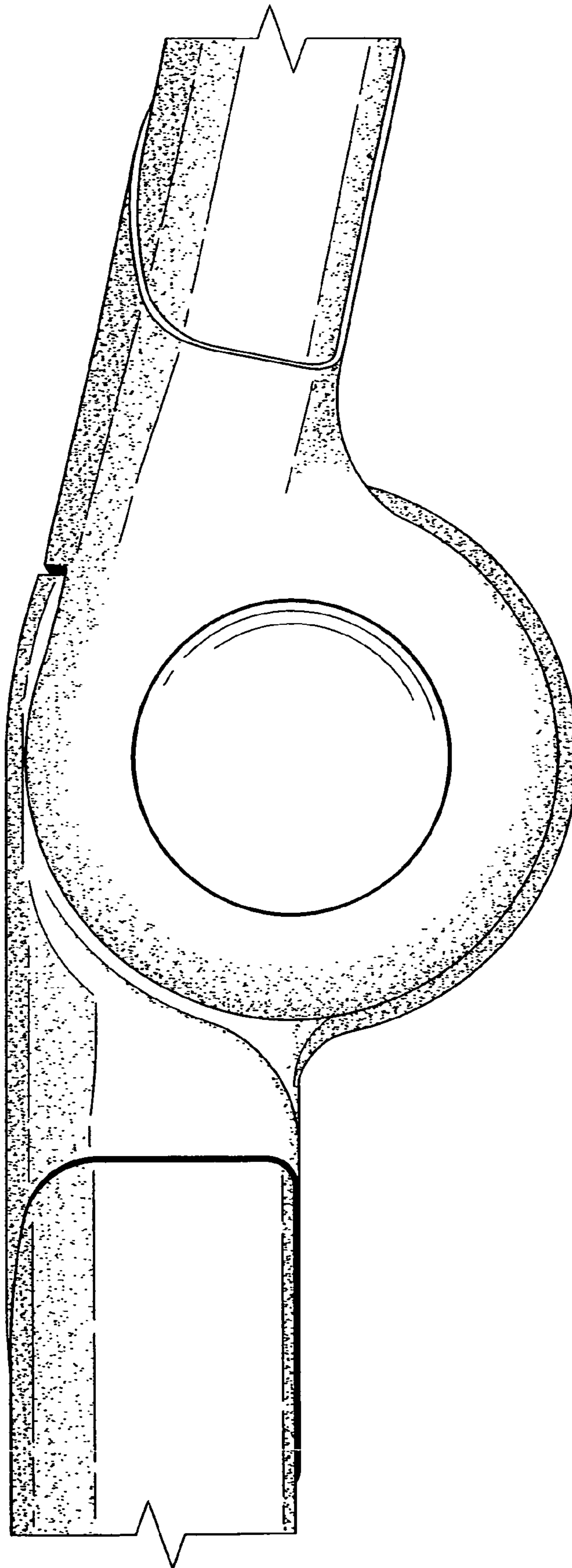


FIG. 6

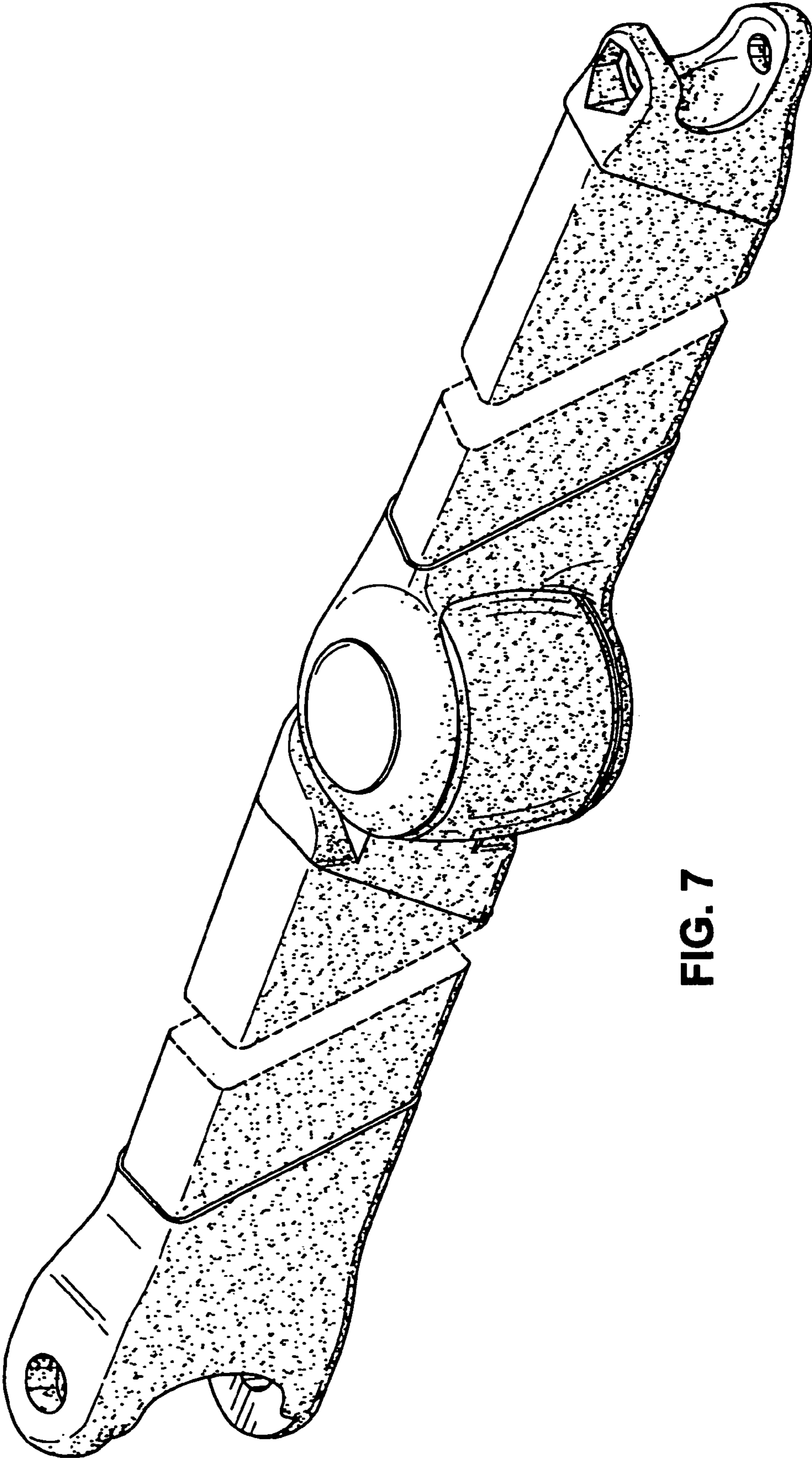


FIG. 7