

US00D563562S

(12) **United States Design Patent**
Cosselmon et al.

(10) **Patent No.:** **US D563,562 S**
(45) **Date of Patent:** **** Mar. 4, 2008**

(54) **GEL BOX FOR AN AUTO SAMPLE FEED
GEL SYSTEM**

(75) Inventors: **William Edward Cosselmon**,
Charlottesville, VA (US); **Stephen E.
Allen**, Milford, MA (US); **Robert
Patrick Fadden**, Hillsborough, NC
(US); **Jeffrey M. Partridge**, Durham,
NC (US)

(73) Assignee: **Serenex, Inc.**, Durham, NC (US)

(**) Term: **14 Years**

(21) Appl. No.: **29/223,479**

(22) Filed: **Feb. 15, 2005**

(51) **LOC (8) Cl.** **24-02**

(52) **U.S. Cl.** **D24/233**

(58) **Field of Classification Search** D24/216,
D24/223, 224, 231-233; 118/203; 204/456-458,
204/461, 415, 618, 469, 620, 615; 249/112;
356/417; 427/4

See application file for complete search history.

(56) **References Cited**

U.S. PATENT DOCUMENTS

4,740,283	A *	4/1988	Laas et al.	204/458
5,232,498	A *	8/1993	Hayakawa et al.	118/203
5,275,710	A *	1/1994	Gombocz et al.	204/461
5,410,412	A *	4/1995	Gombocz et al.	356/417
5,443,704	A *	8/1995	Kirkpatrick et al.	204/620

5,866,193	A *	2/1999	Kohno et al.	427/4
5,949,899	A *	9/1999	Ng	204/457
6,231,813	B1 *	5/2001	Ally et al.	204/456
6,769,664	B2 *	8/2004	Reed et al.	249/112
2004/0020776	A1 *	2/2004	Ben-Asouli et al.	204/615
2004/0195103	A1 *	10/2004	Zhou	204/618
2006/0207882	A1 *	9/2006	Ben-Asouli et al.	204/469

* cited by examiner

Primary Examiner—Robert A. Delehanty

Assistant Examiner—Mark Cavanna

(74) *Attorney, Agent, or Firm*—Alston & Bird LLP

(57) **CLAIM**

The ornamental design for a gel box for an auto sample feed gel system, as shown and described.

DESCRIPTION

FIG. 1 is perspective view of a gel box for an auto sample feed gel system showing our new design;

FIG. 2 is a right thereof;

FIG. 3 is a left side view thereof;

FIG. 4 is top view thereof;

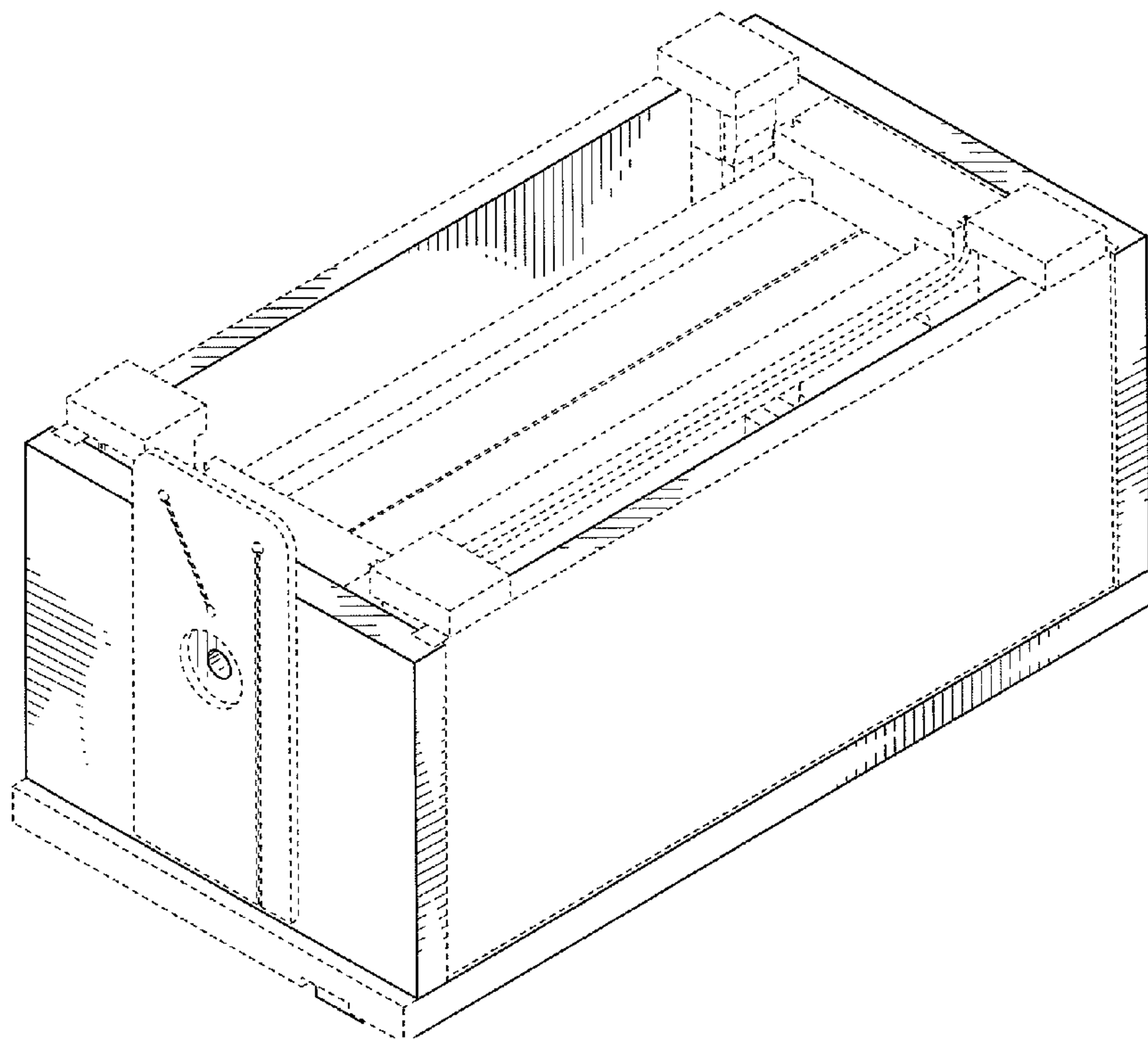
FIG. 5 is a bottom view thereof;

FIG. 6 is a front view thereof; and,

FIG. 7 is a rear view thereof.

The broken lines shown herein are for illustrative purposes only and form no part of the claimed design.

1 Claim, 7 Drawing Sheets



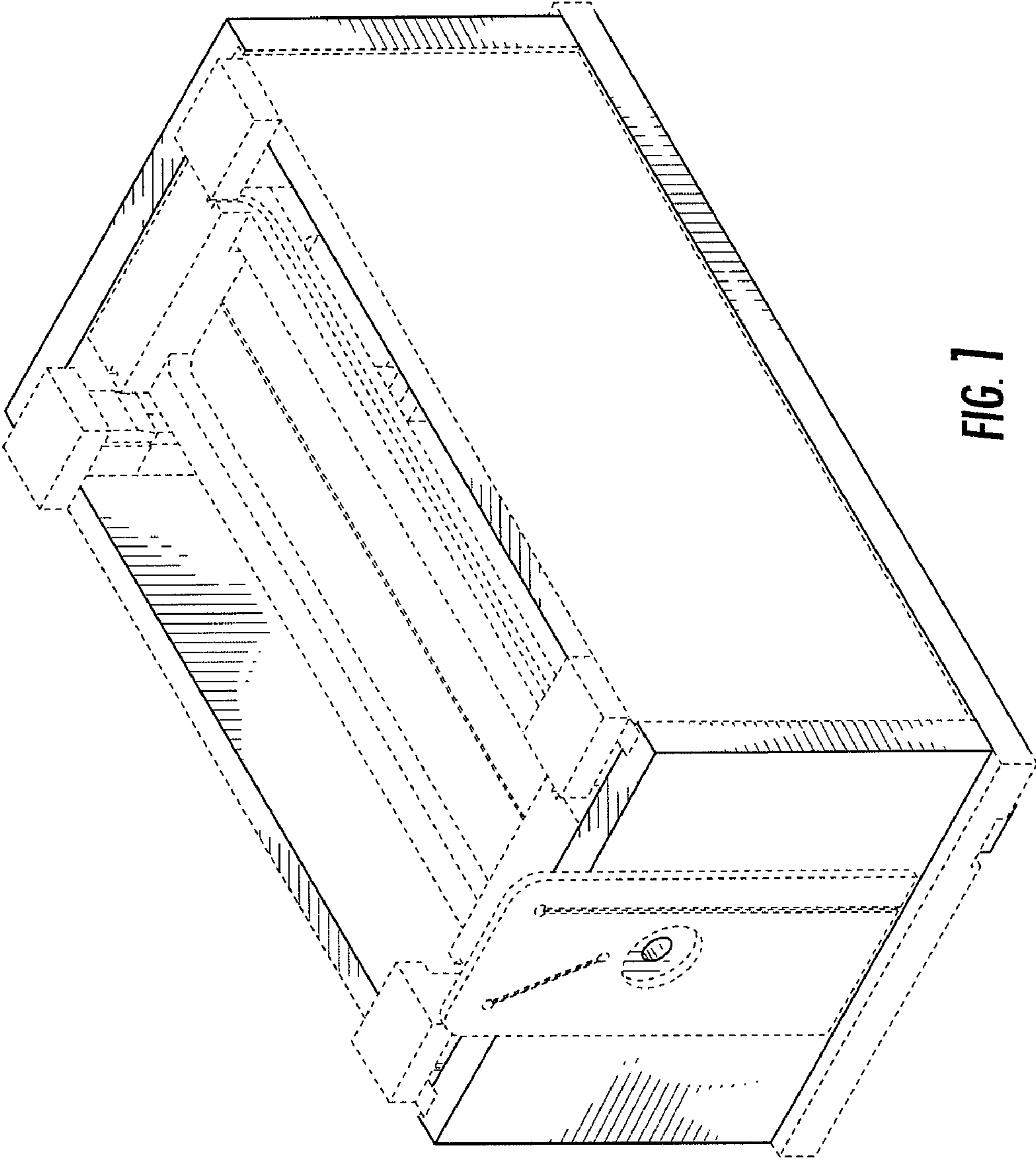


FIG. 1

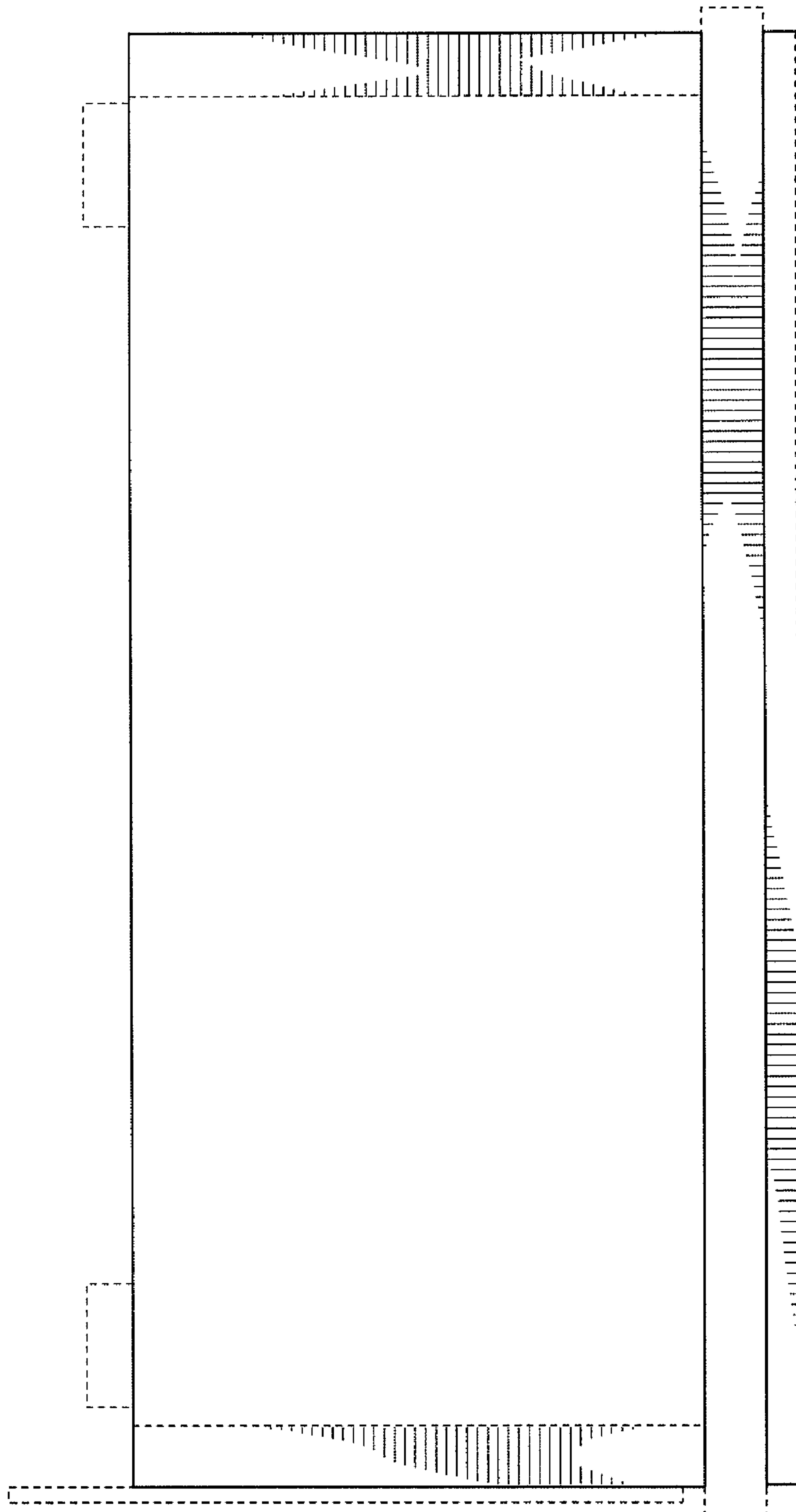


FIG. 2

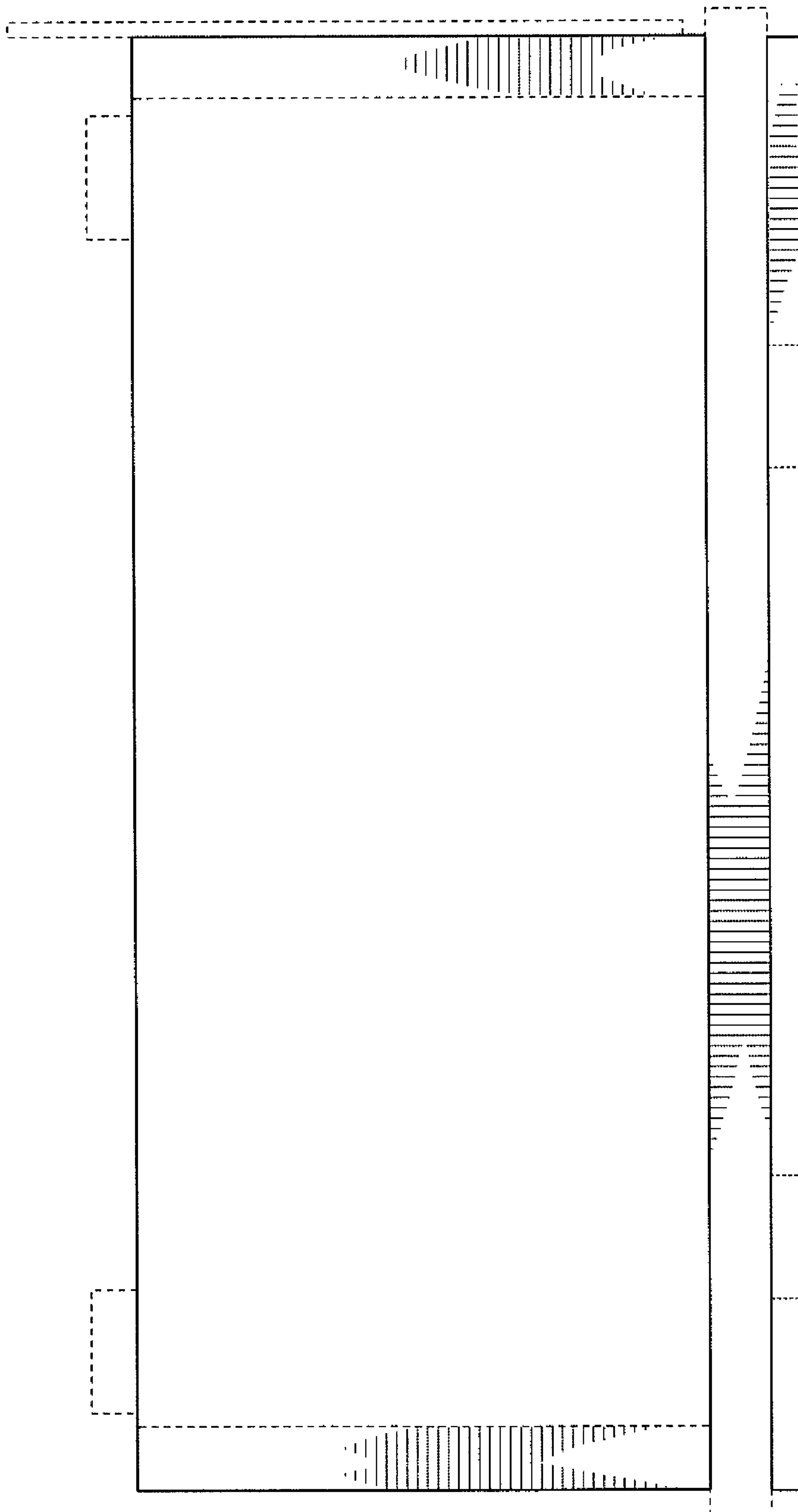


FIG. 3

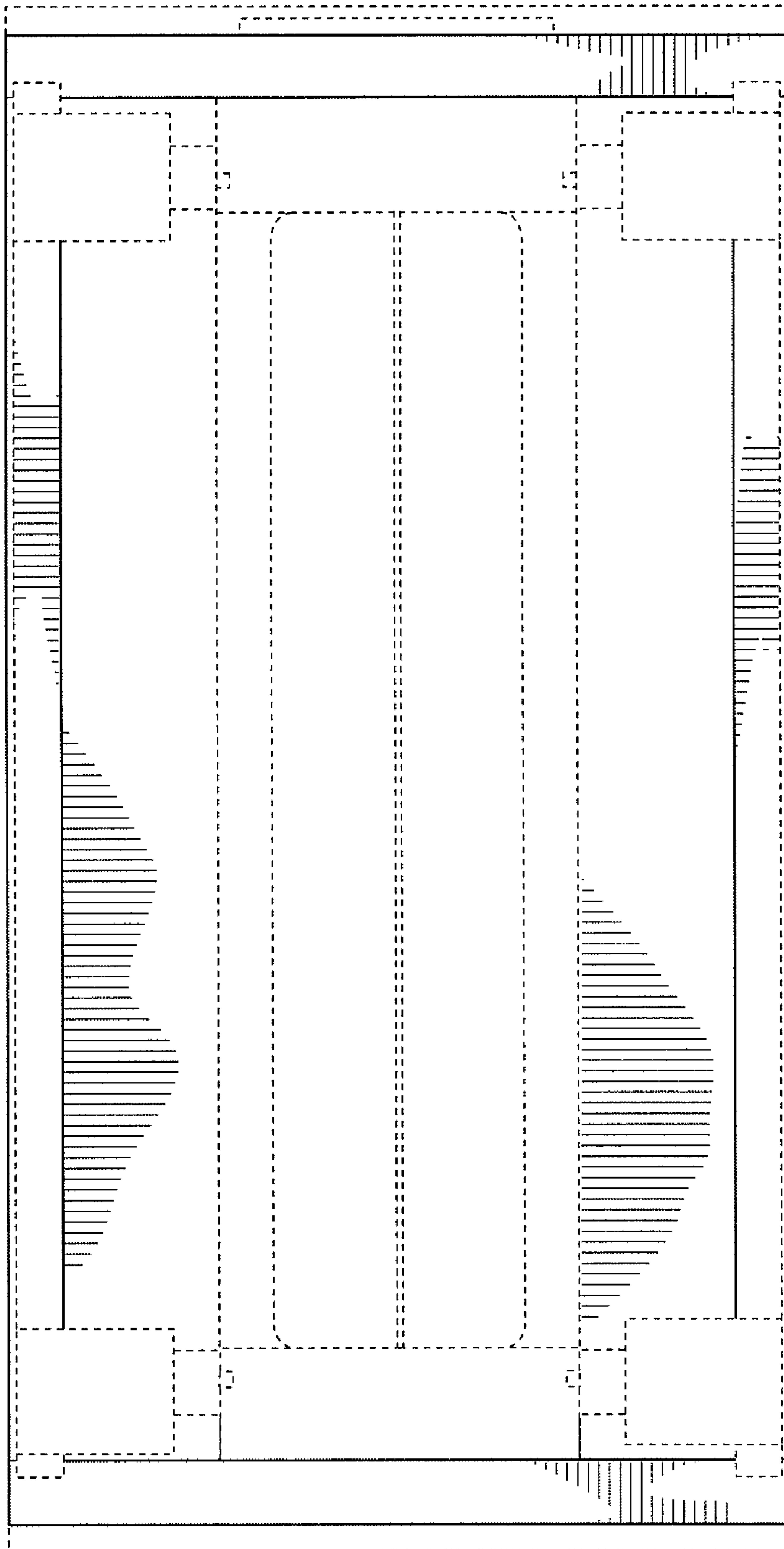


FIG. 4

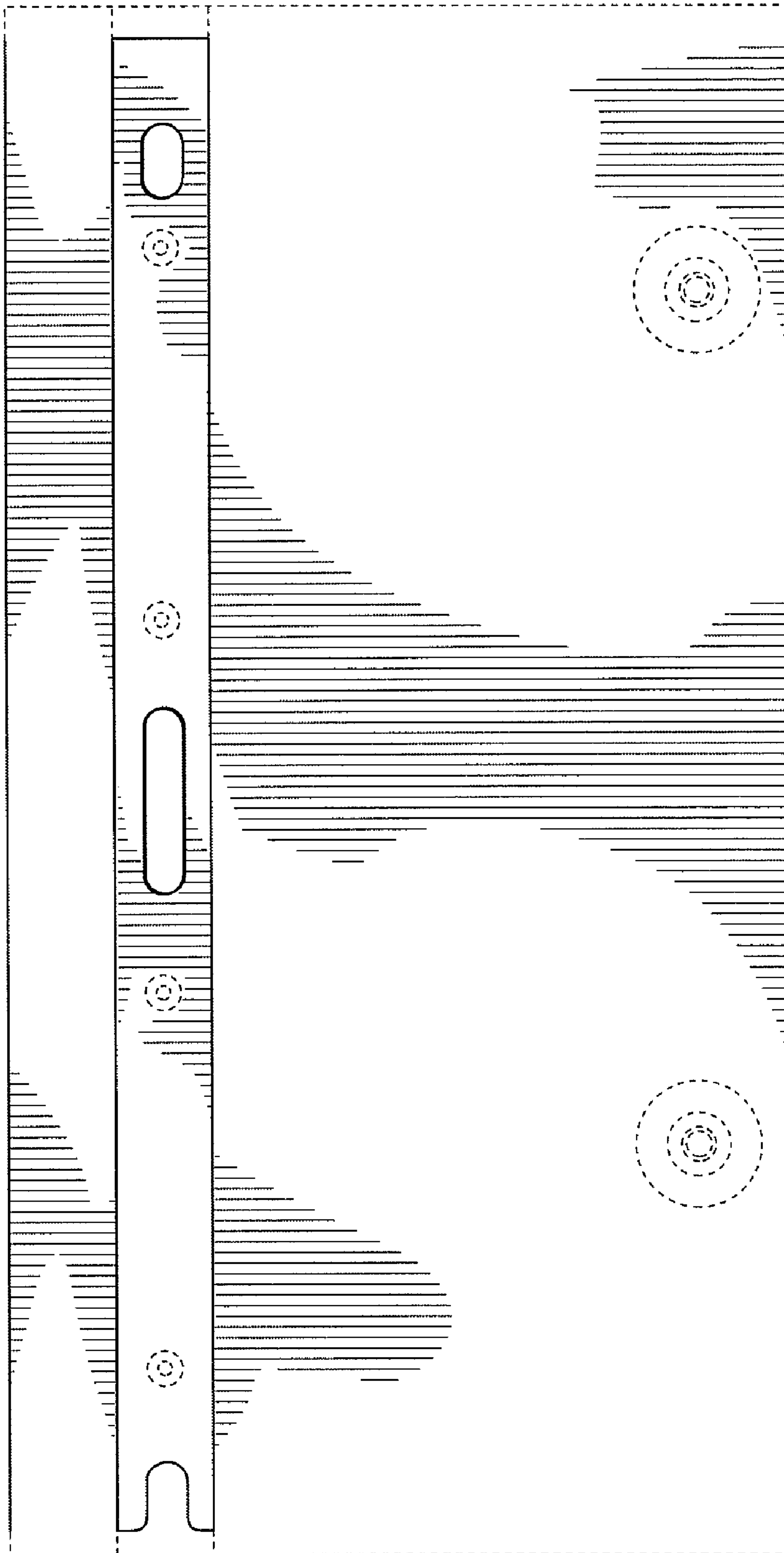


FIG. 5

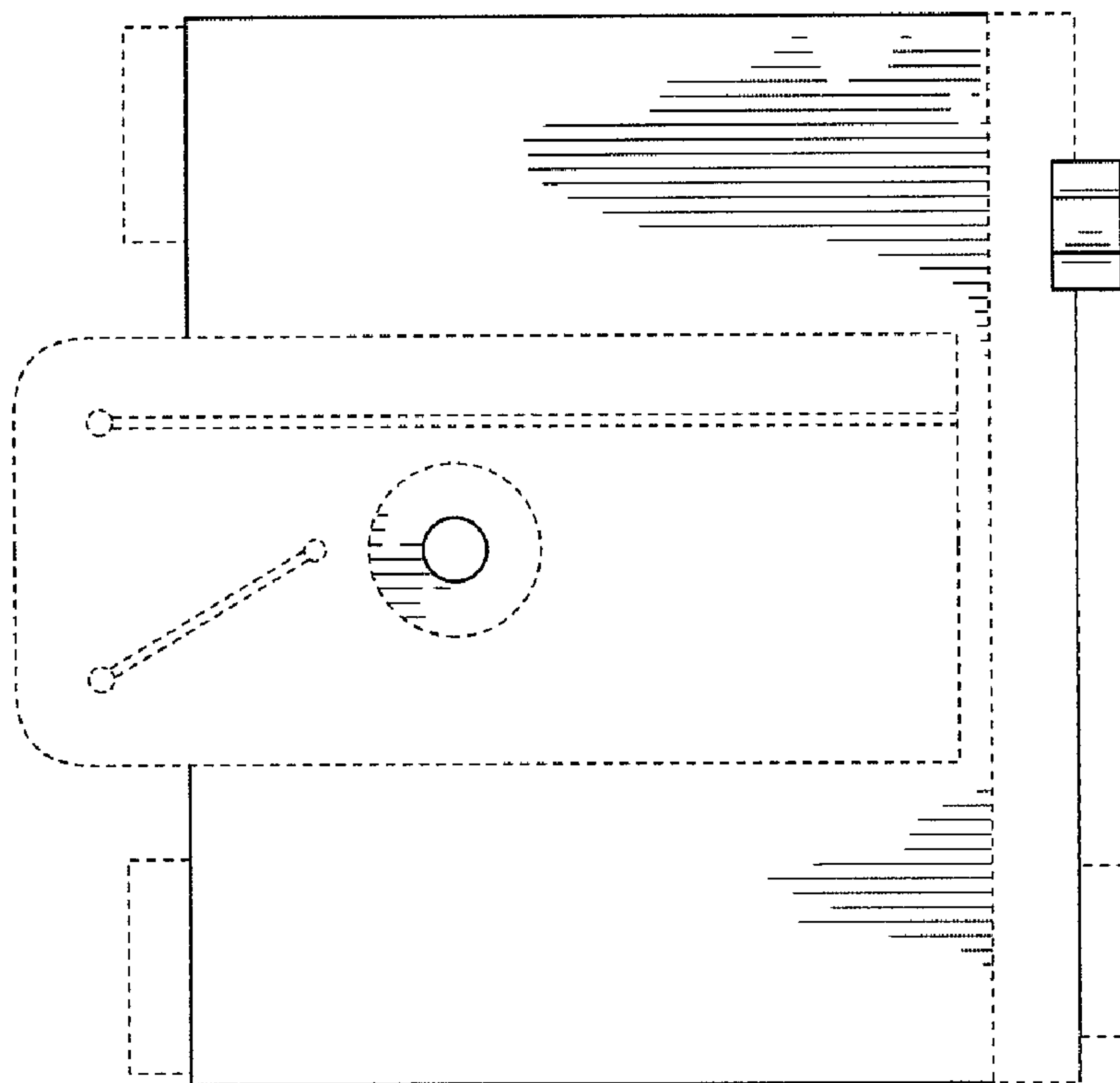


FIG. 6

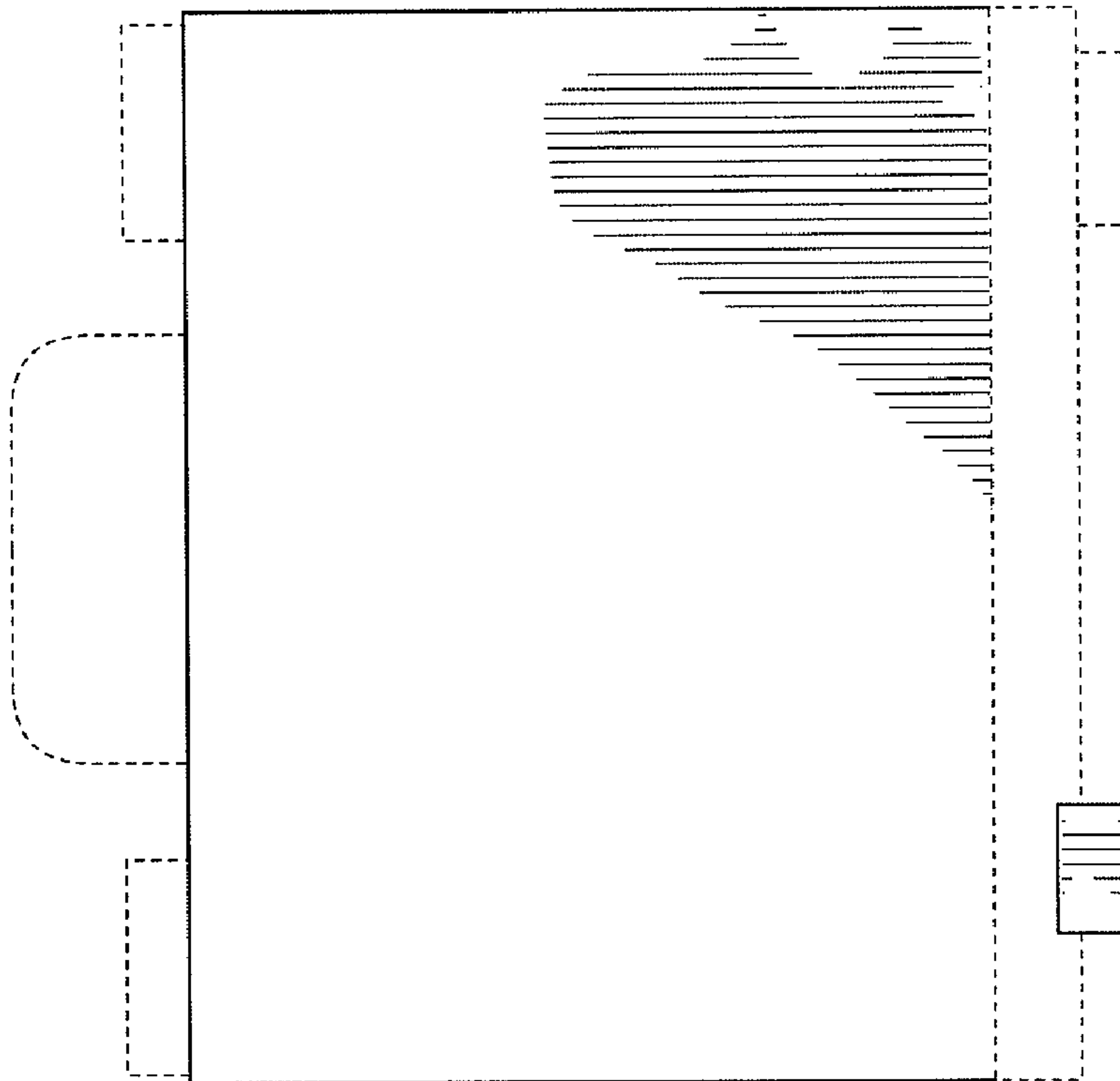


FIG. 7