



US00D563561S

(12) **United States Design Patent**  
**Faust, III et al.**

(10) **Patent No.: US D563,561 S**  
(45) **Date of Patent: \*\* Mar. 4, 2008**

(54) **DENTAL CASSETTE**

(75) Inventors: **Valentine T. Faust, III**, Bow, NH (US);  
**Daniel L. Sands**, Warsaw, IN (US);  
**John Birkett**, Wales (GB)

(73) Assignee: **Symmetry Medical, Inc.**, Warsaw, IN (US)

(\*\*) Term: **14 Years**

(21) Appl. No.: **29/226,607**

(22) Filed: **Mar. 30, 2005**

(51) **LOC (8) Cl.** ..... **24-02**

(52) **U.S. Cl.** ..... **D24/229**; D3/271.3; D3/294

(58) **Field of Classification Search** ..... D3/201,  
D3/203.1, 203.7, 205, 215, 218, 269-270,  
D3/271.1, 271.3, 273-274, 294; D6/407,  
D6/632, 634; D9/423-424, 600, 624; D24/227,  
D24/229; 422/310; 206/368-370  
See application file for complete search history.

(56) **References Cited**

**U.S. PATENT DOCUMENTS**

D120,746 S *	5/1940	Travison .....	D9/423
D206,038 S *	10/1966	Engelke et al. ....	D3/295
D257,790 S *	1/1981	Kesling .....	D24/227
4,991,759 A *	2/1991	Scharf .....	224/217
5,184,718 A *	2/1993	Albert .....	206/63.5
D346,674 S *	5/1994	Berghash .....	D28/73
RE35,034 E *	9/1995	Albert .....	206/63.5
D400,705 S *	11/1998	Akutsu .....	D3/242
D404,644 S *	1/1999	Meeker .....	D9/415
D425,295 S *	5/2000	Borja et al. ....	D3/203.1
D433,265 S *	11/2000	Khatemi .....	D6/634
D437,521 S *	2/2001	Leung .....	D6/635
D443,981 S *	6/2001	DiVincenzo .....	D3/205

D484,732 S *	1/2004	Dardashti .....	D6/634
6,705,333 B1 *	3/2004	Pourcho .....	134/135
D516,725 S *	3/2006	Barnes .....	D3/201
D518,288 S *	4/2006	Shoemaker et al. ....	D3/203.7
D518,289 S *	4/2006	Allen et al. ....	D3/203.7
D526,064 S *	8/2006	Wood .....	D24/229
D540,038 S *	4/2007	Hussaini et al. ....	D3/294
7,201,271 B1 *	4/2007	Saad .....	206/63.5
2004/0238390 A1 *	12/2004	Barnes .....	206/368
2005/0161355 A1 *	7/2005	Matthis et al. ....	206/370
2005/0173278 A1 *	8/2005	Caron .....	206/370
2007/0138042 A1 *	6/2007	Wood .....	206/369

\* cited by examiner

*Primary Examiner*—Philip S. Hyder

*Assistant Examiner*—R. L. (Ulm) Cody

(74) *Attorney, Agent, or Firm*—Taylor & Aust, P.C.

(57) **CLAIM**

The ornamental design for a dental cassette, as shown and described.

**DESCRIPTION**

FIG. 1 is a perspective view of a dental cassette showing our new design;

FIG. 2 is another perspective view thereof, in a closed configuration;

FIG. 3 is a top view thereof;

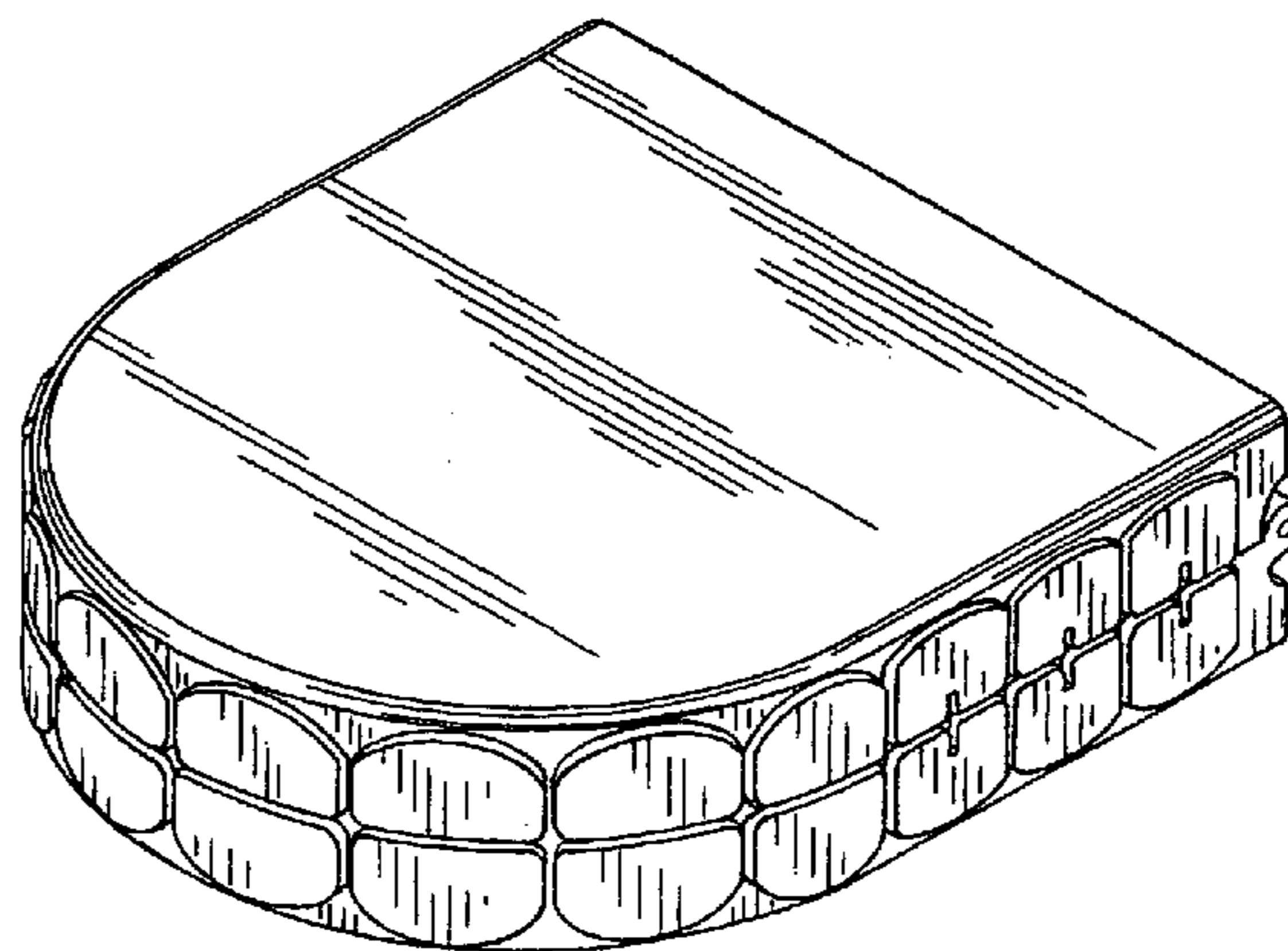
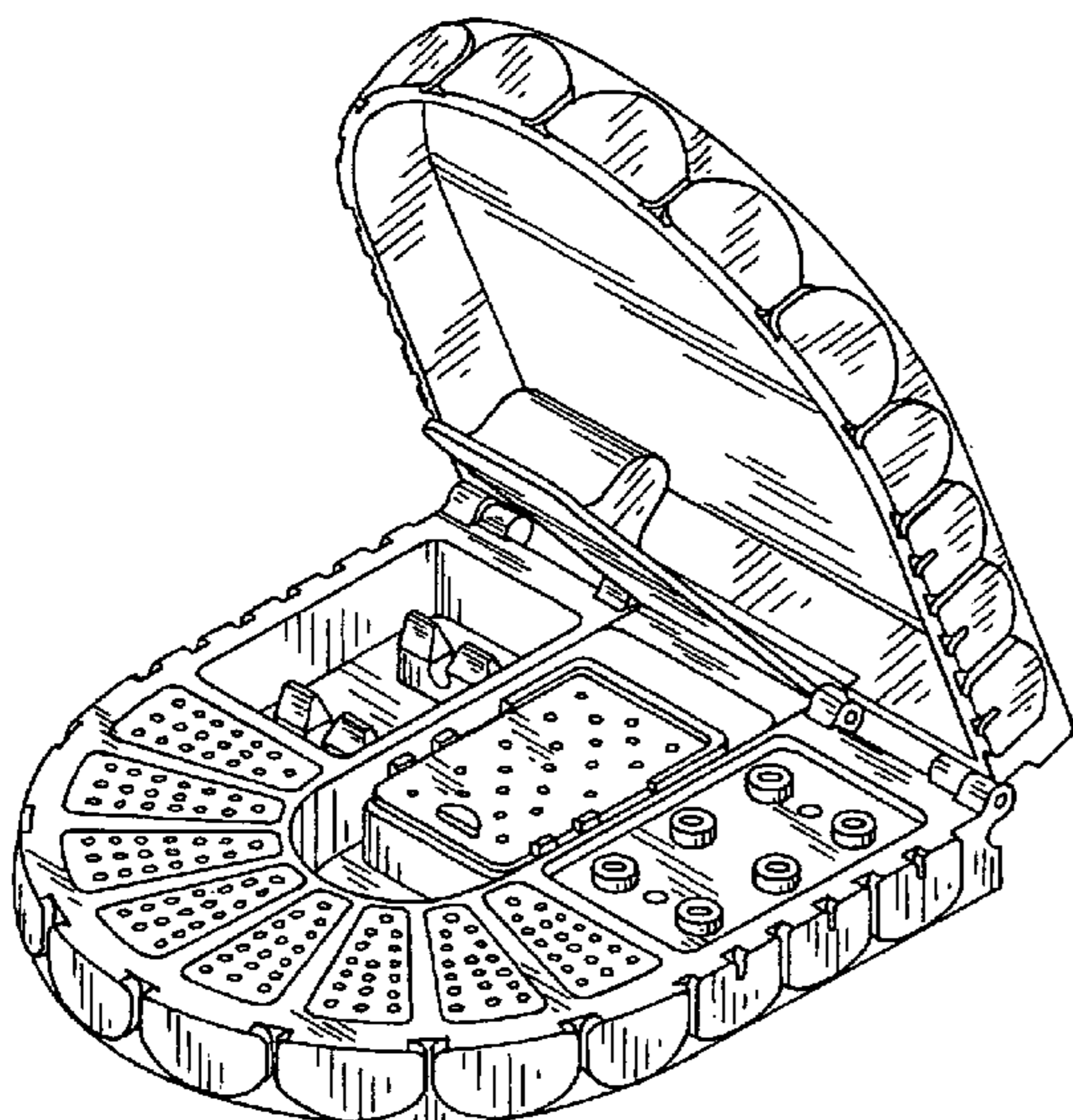
FIG. 4 is a bottom view thereof;

FIG. 5 is a side view thereof, the opposite side being a mirror image thereof;

FIG. 6 is an end view thereof; and,

FIG. 7 is an opposite end view thereof.

**1 Claim, 3 Drawing Sheets**



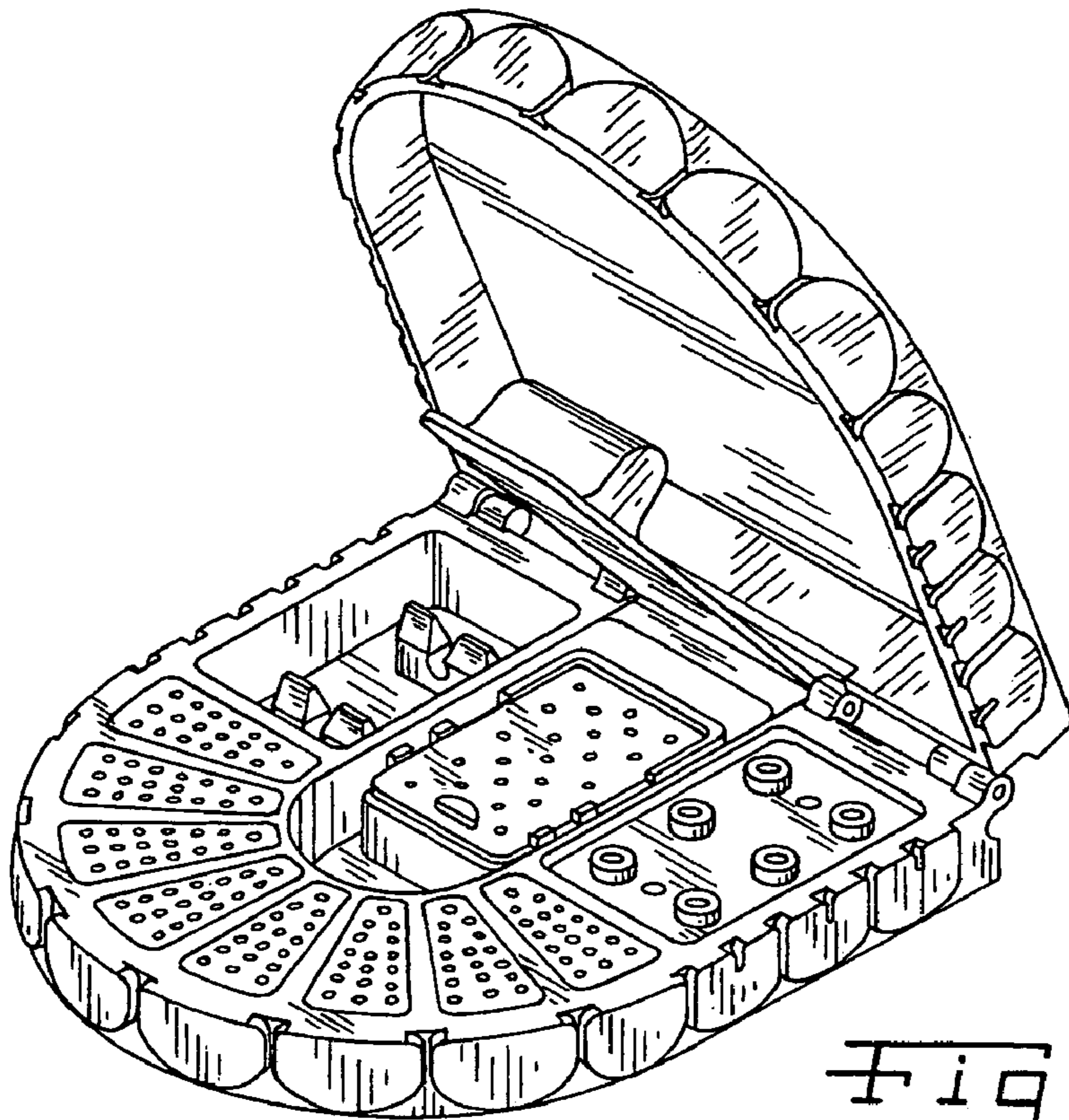


Fig. 1

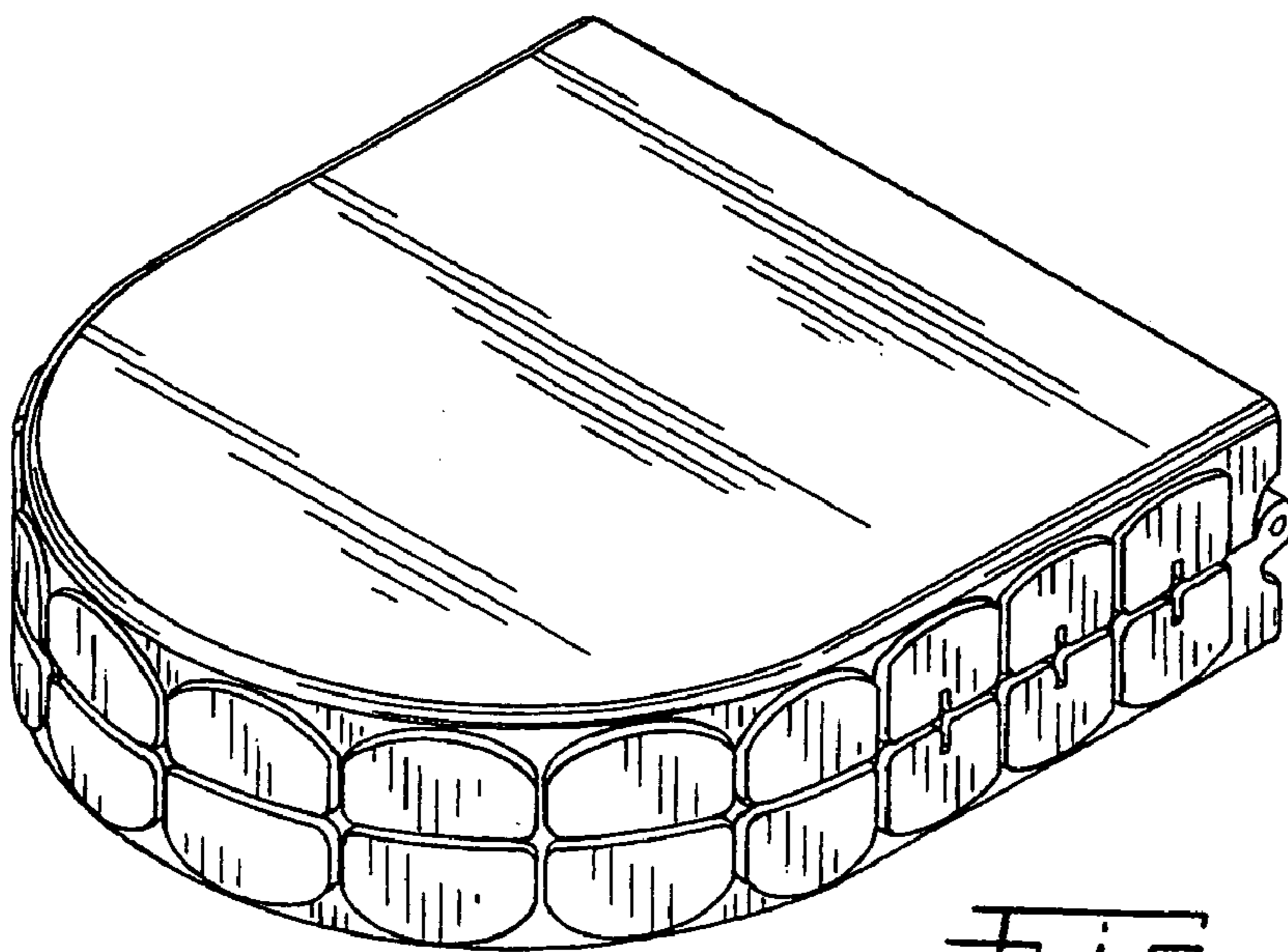


Fig. 2

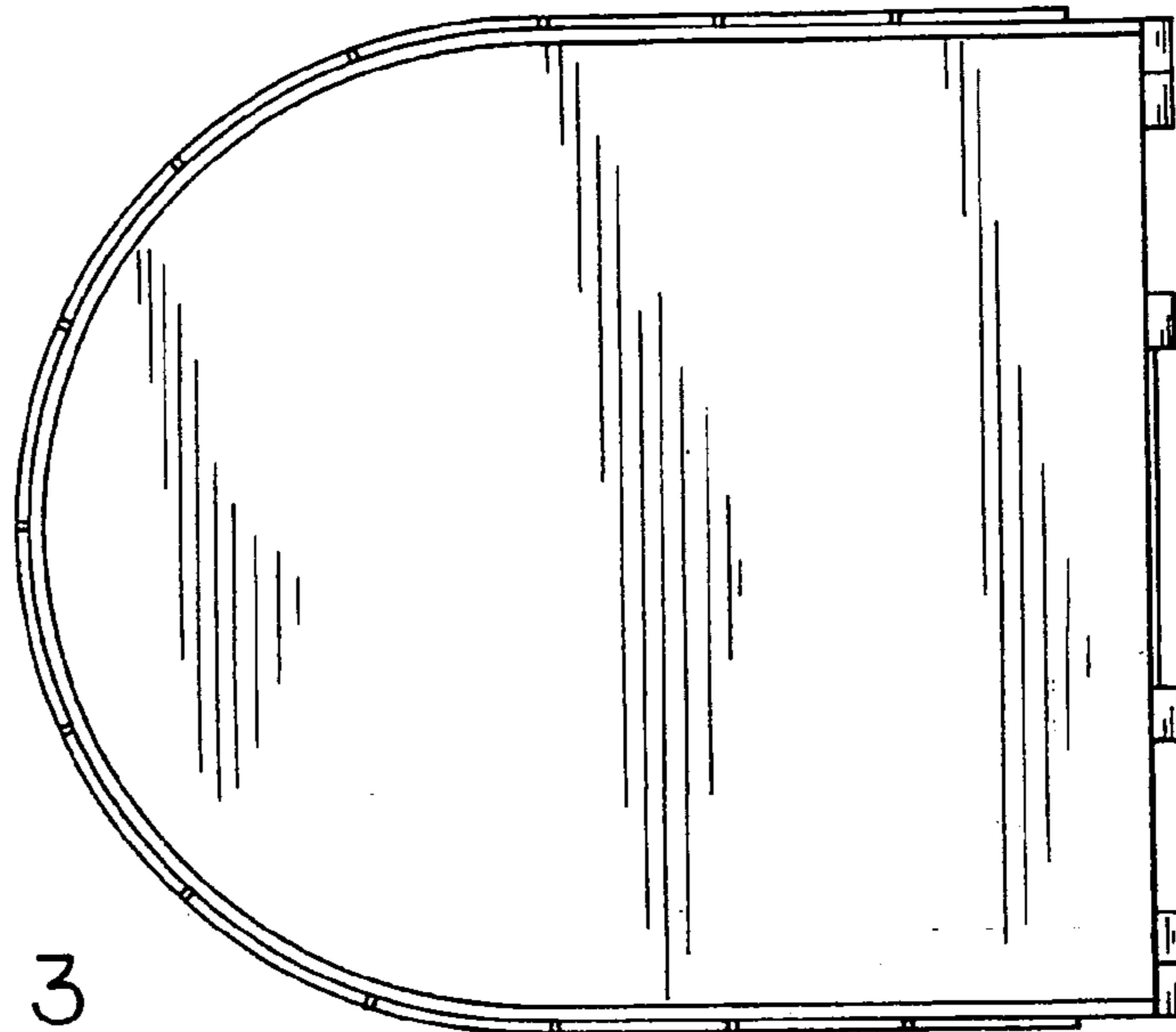


Fig. 3

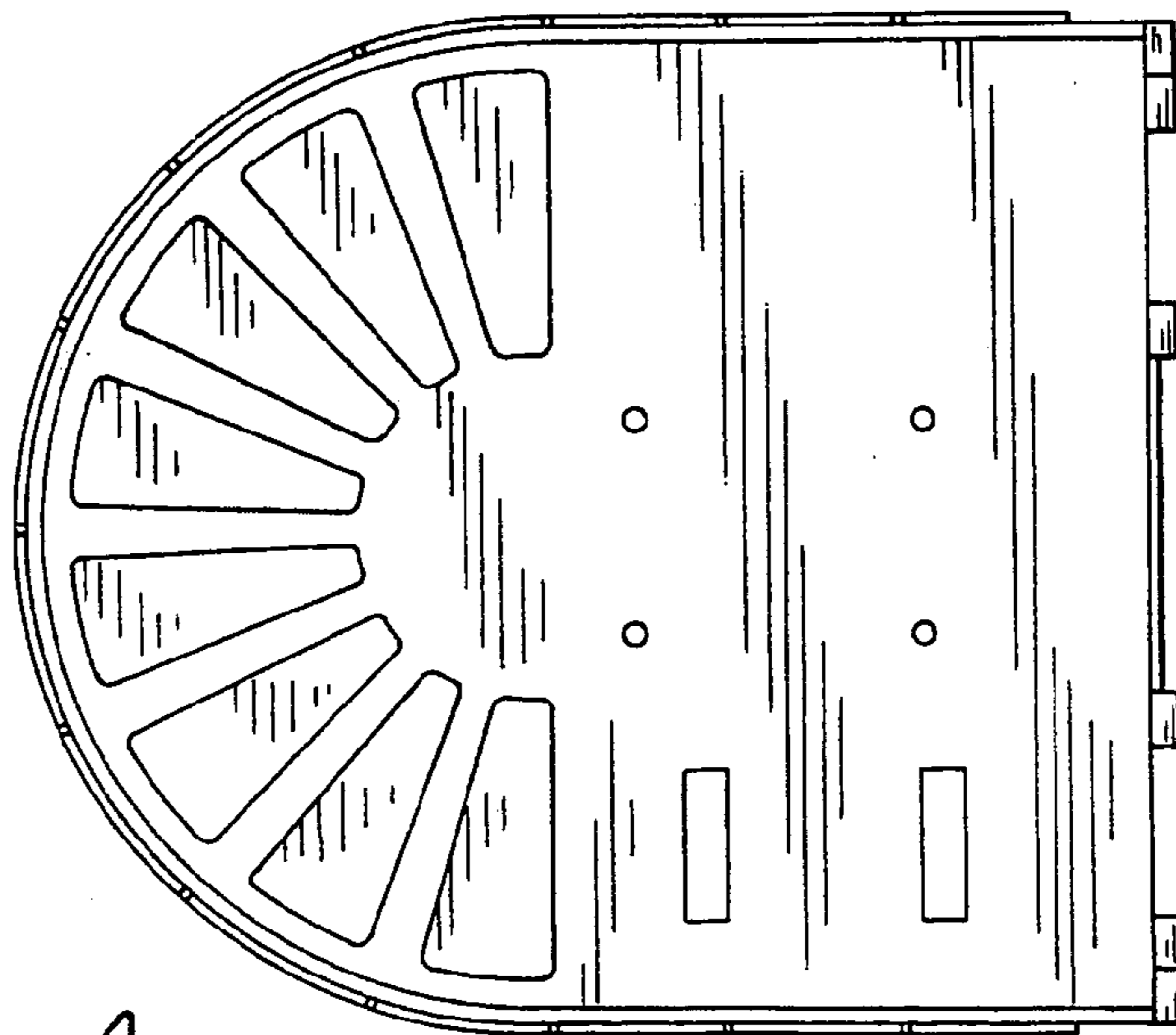


Fig. 4

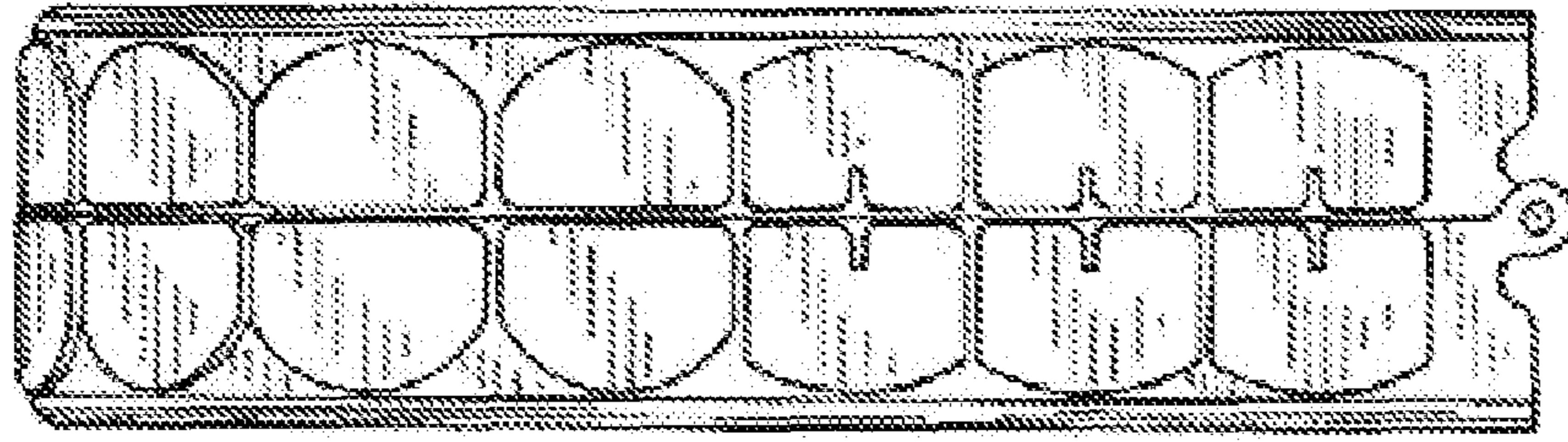


FIG. 5

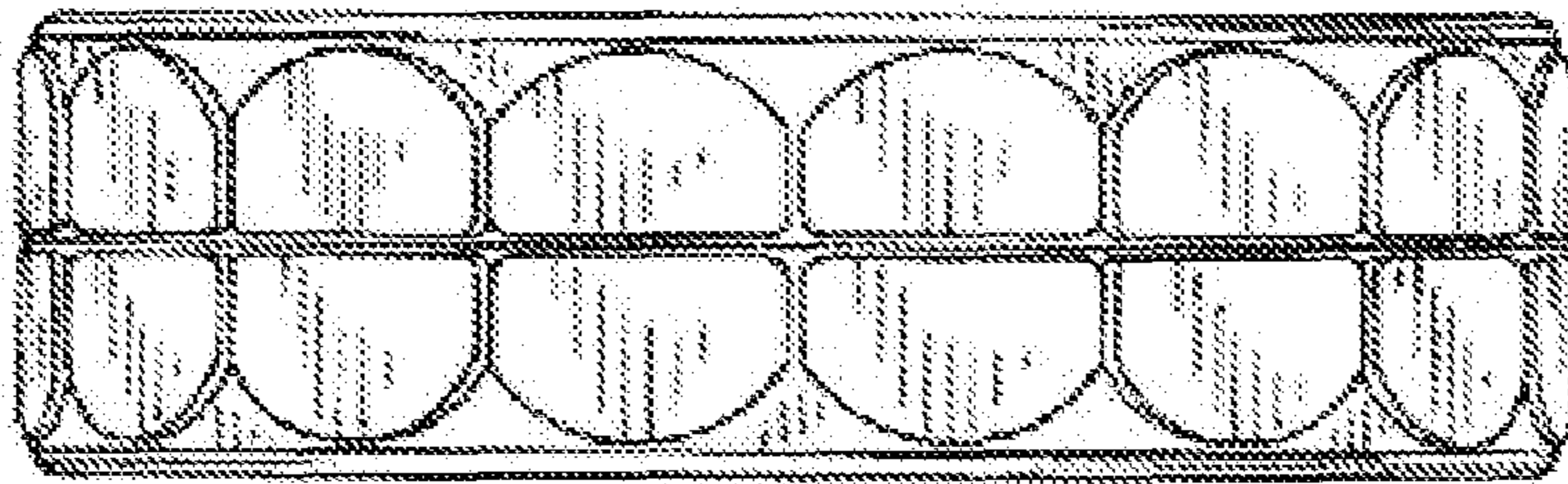


FIG. 6

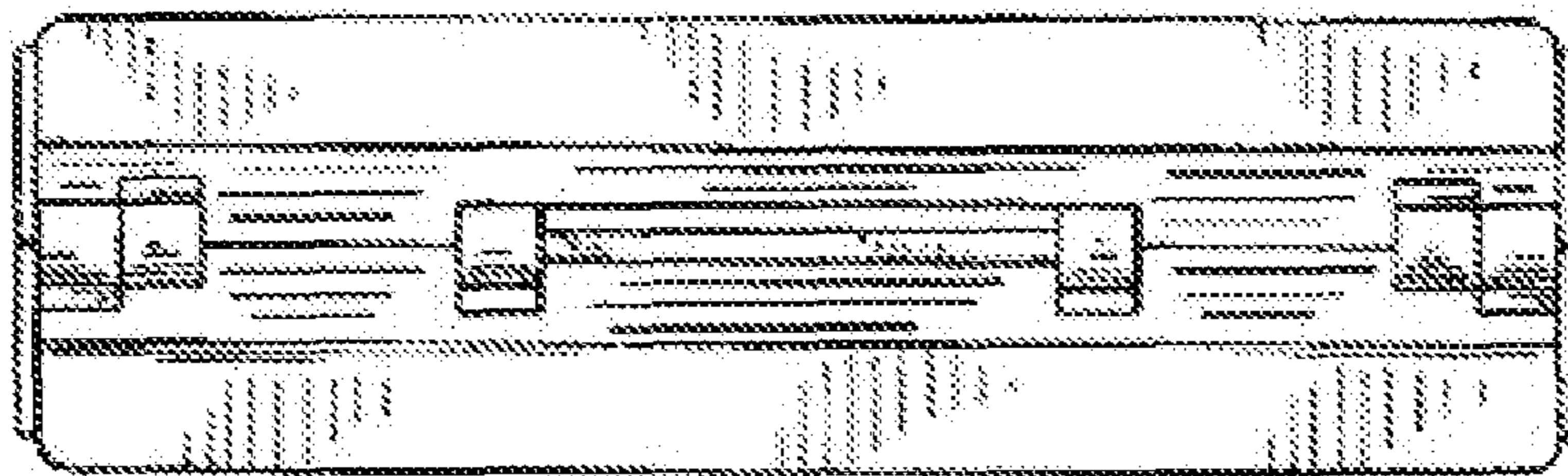


FIG. 7