



US00D563560S

(12) **United States Design Patent**
Copeland

(10) **Patent No.:** **US D563,560 S**

(45) **Date of Patent:** **** Mar. 4, 2008**

(54) **PETRI DISH**

(75) Inventor: **James C. Copeland**, Ashland, OH (US)

(73) Assignee: **Oxyrase, Inc.**, Mansfield, OH (US)

(**) Term: **14 Years**

(21) Appl. No.: **29/277,849**

(22) Filed: **Mar. 12, 2007**

(51) **LOC (8) Cl.** **24-01**

(52) **U.S. Cl.** **D24/224**

(58) **Field of Classification Search** D24/216,
D24/220, 224, 226; 119/6.5; 422/99, 102,
422/104; 435/297.5, 305.1-305.4, 309.1
See application file for complete search history.

(56) **References Cited**

U.S. PATENT DOCUMENTS

2,677,647	A *	5/1954	Lovell	435/305.4
3,769,936	A *	11/1973	Swanson et al.	119/6.5
D258,761	S *	3/1981	Graham	D24/226
D272,185	S	1/1984	Schlesinger		
D295,319	S	4/1988	Franchere et al.		
D303,428	S *	9/1989	Wada et al.	D24/224
D316,753	S *	5/1991	Ricketts	D24/224
5,021,351	A *	6/1991	Ervin	435/305.1
5,830,746	A	11/1998	Copeland et al.		
D403,077	S *	12/1998	Bohannon et al.	D24/216
D425,624	S	5/2000	Choi		

6,429,008	B1 *	8/2002	Copeland et al.	435/303.2
D473,950	S *	4/2003	Carlson	D24/216
6,602,704	B1 *	8/2003	Maxwell et al.	435/309.1

* cited by examiner

Primary Examiner—Robert A. Delehanty

Assistant Examiner—Mark Cavanna

(74) *Attorney, Agent, or Firm*—Richard M. Klein; Fay Sharpe LLP

(57) **CLAIM**

The ornamental design for petri dish, as shown and described.

DESCRIPTION

FIG. 1 is a top view of a petri dish showing my new design;

FIG. 2 is a bottom view thereof;

FIG. 3 is a side view thereof;

FIG. 4 is a cross-sectional side view taken along the line 4—4 as shown in FIG. 1 thereof;

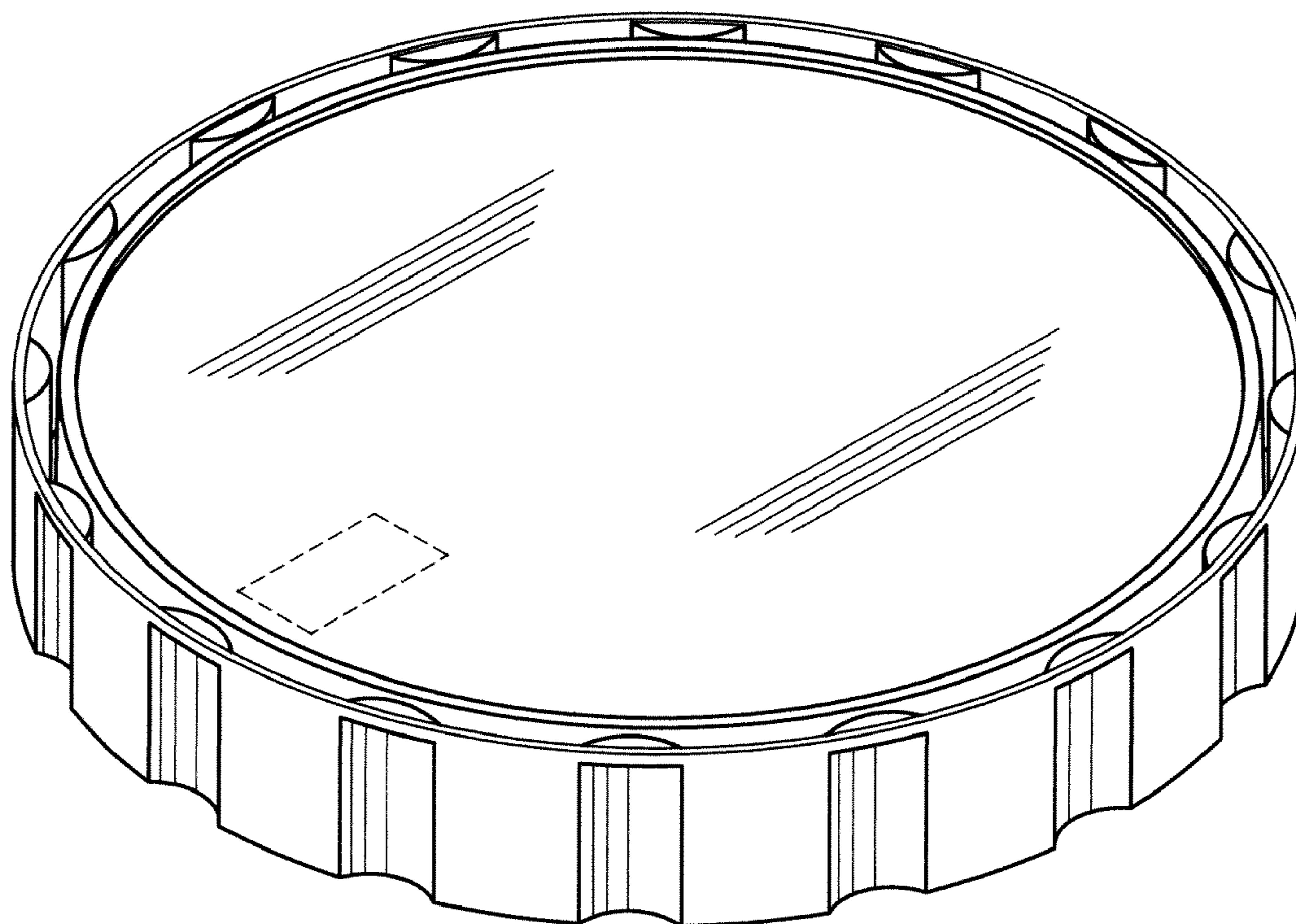
FIG. 5 is a top isometric view thereof;

FIG. 6 is a bottom isometric view thereof; and,

FIG. 7 is an isometric view of the two separated components thereof.

The portions shown in broken lines are for illustrative purposes only, and form no part of the claimed design.

1 Claim, 5 Drawing Sheets



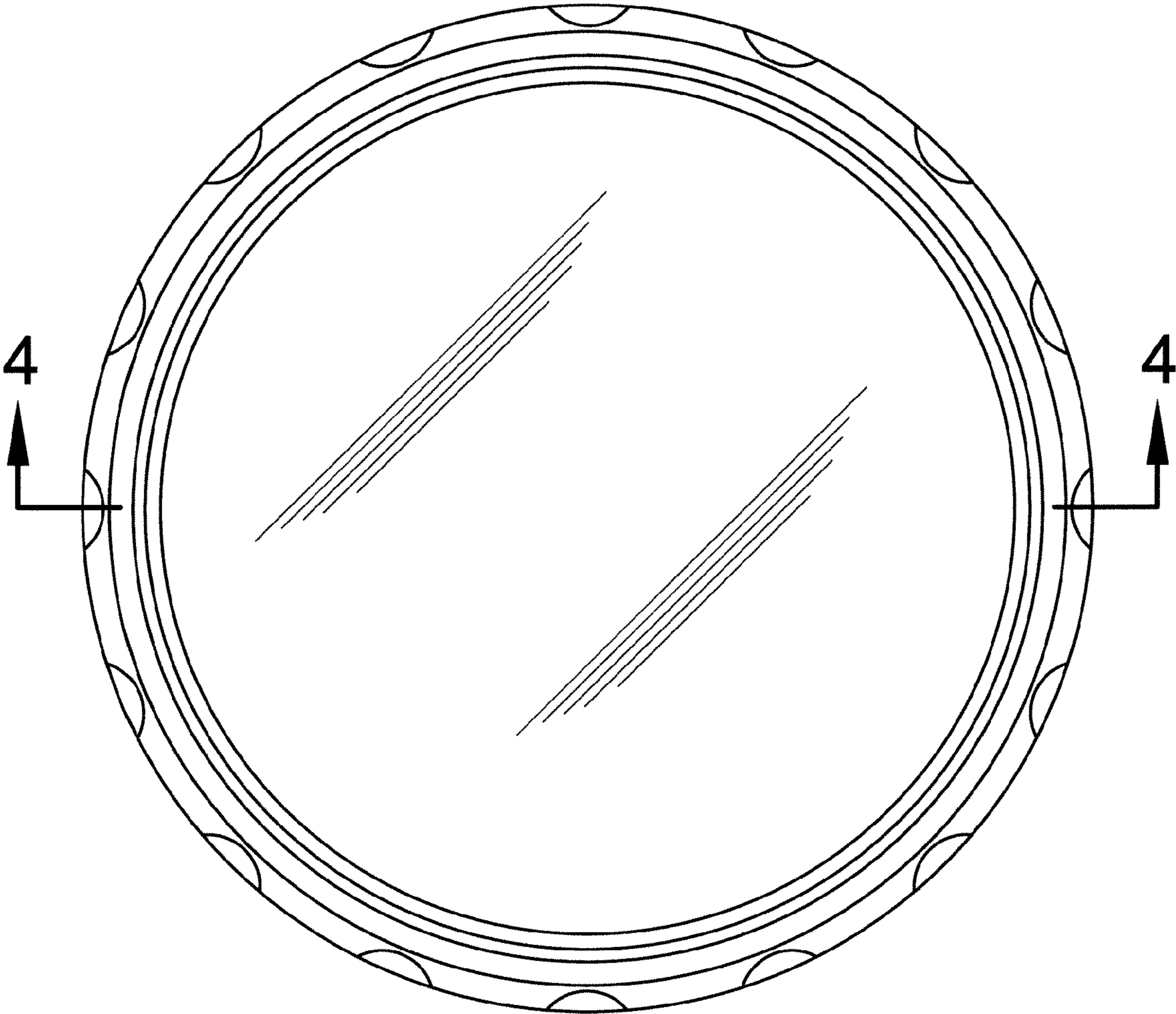


FIG. 1

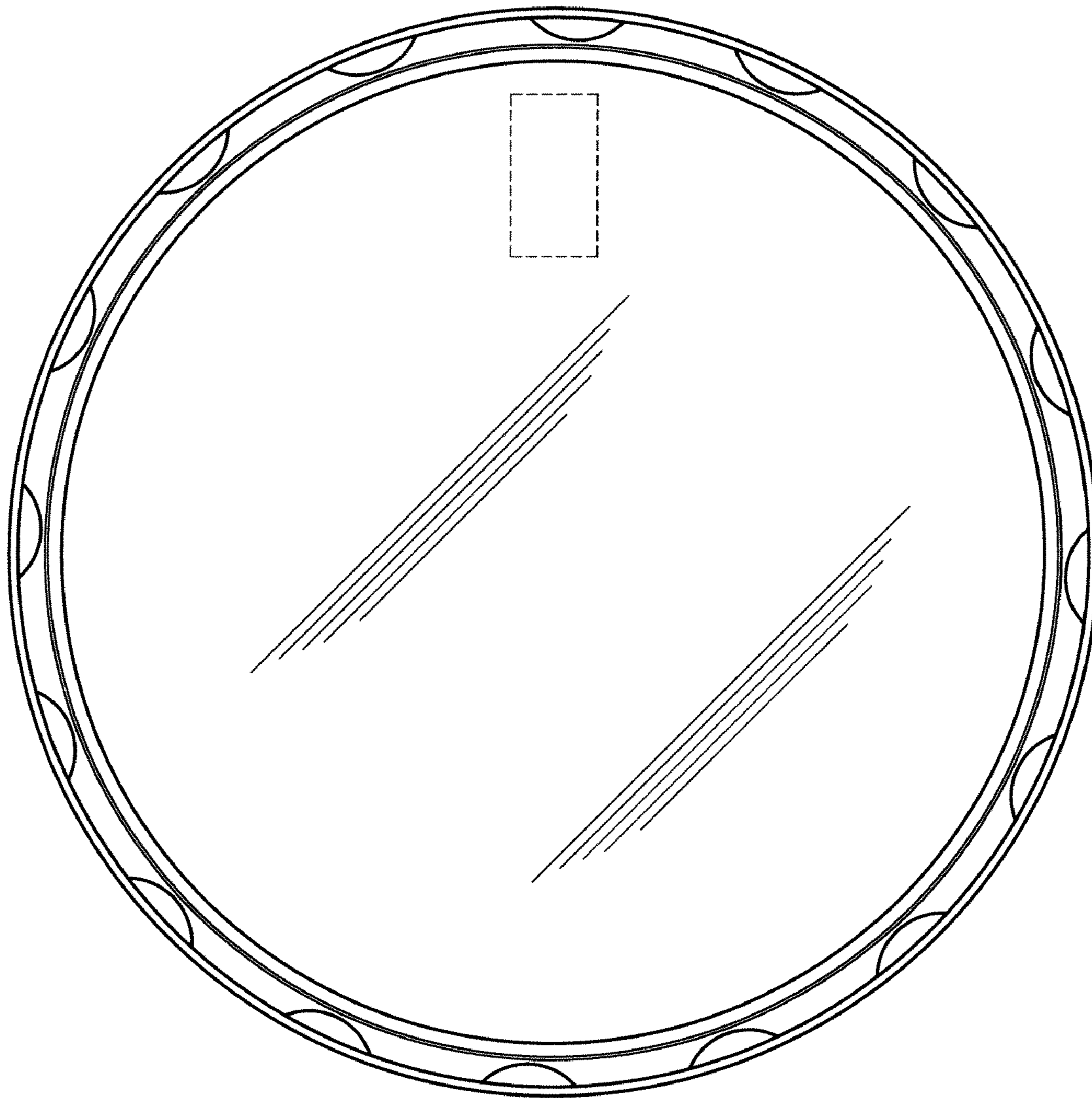


FIG. 2

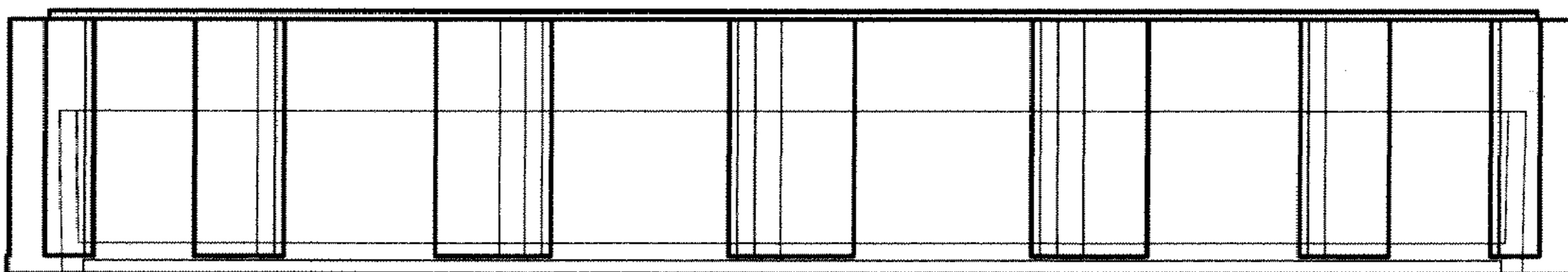


FIG. 3

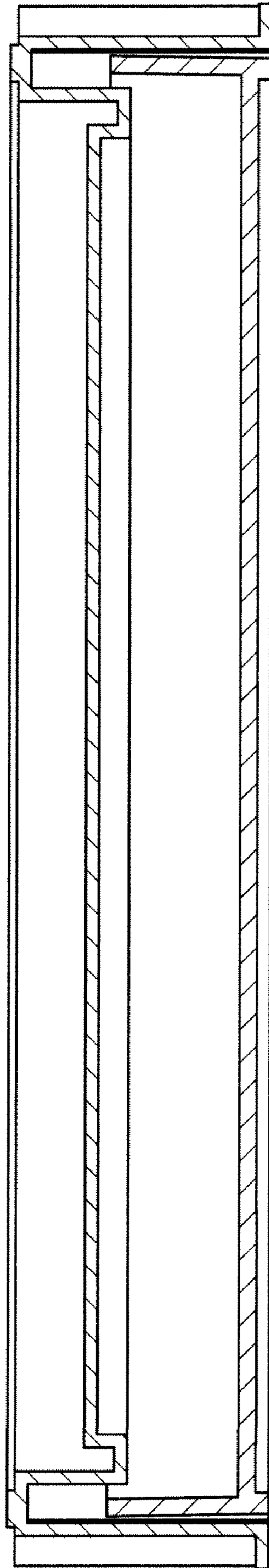


FIG. 4

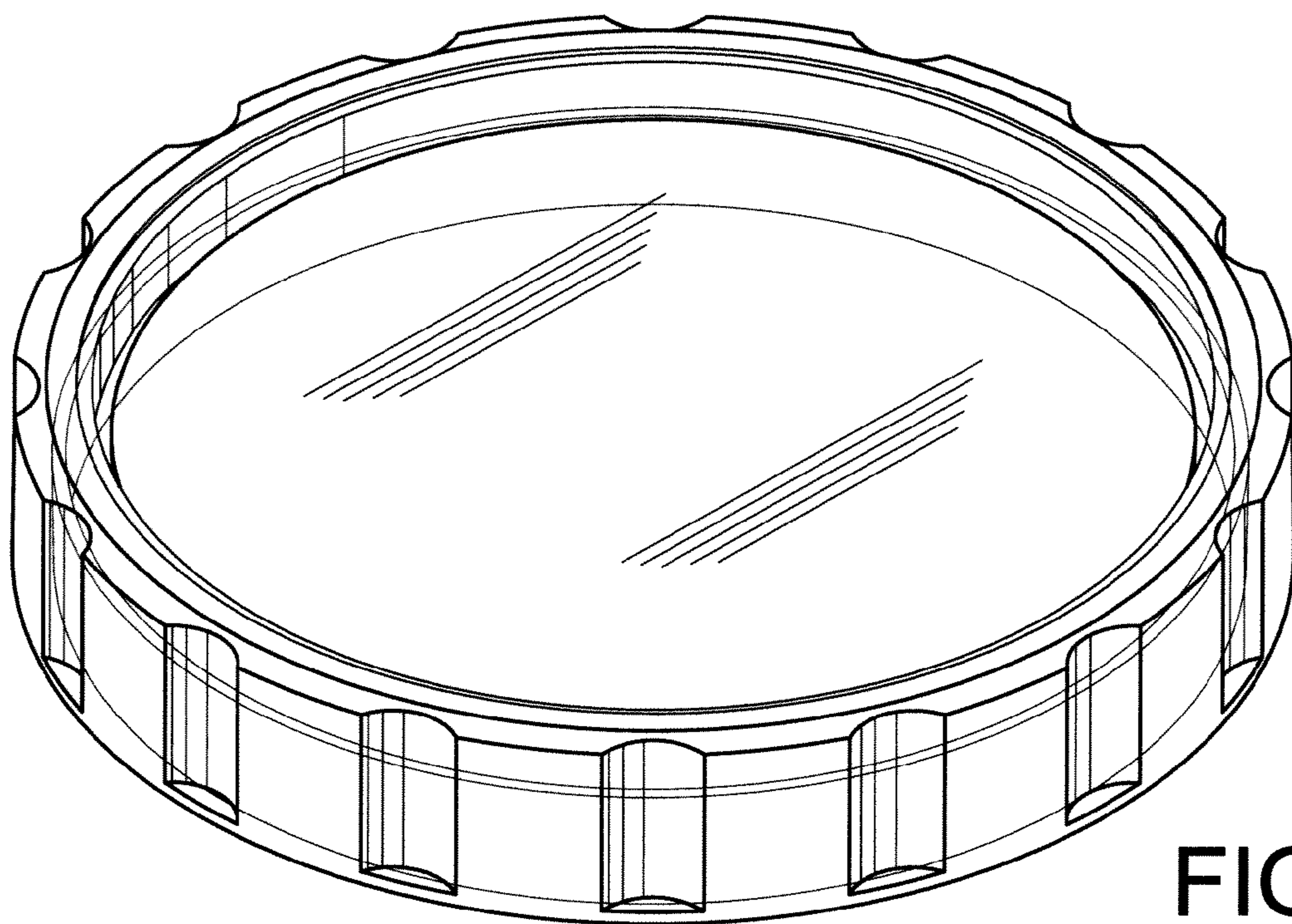


FIG. 5

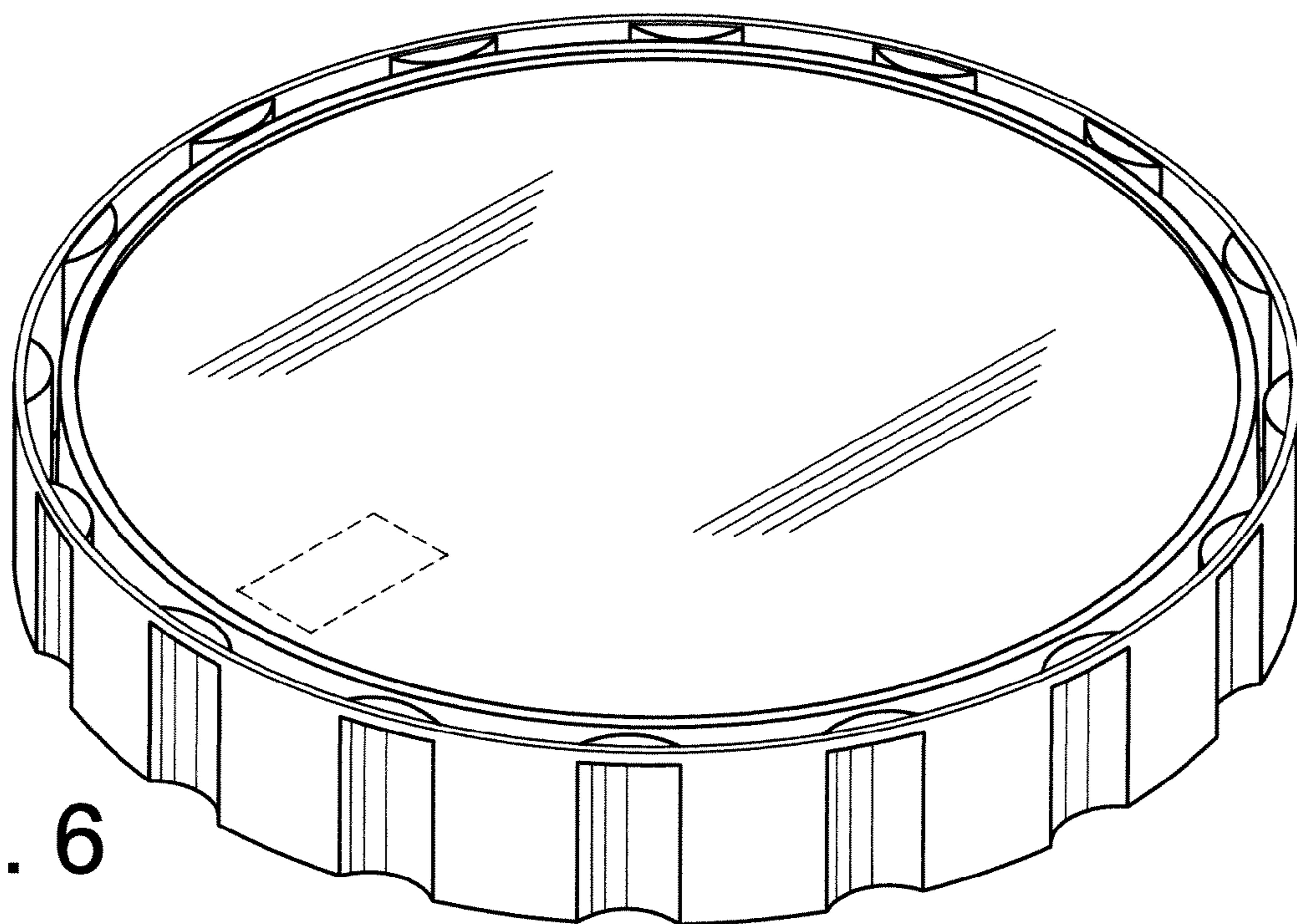


FIG. 6

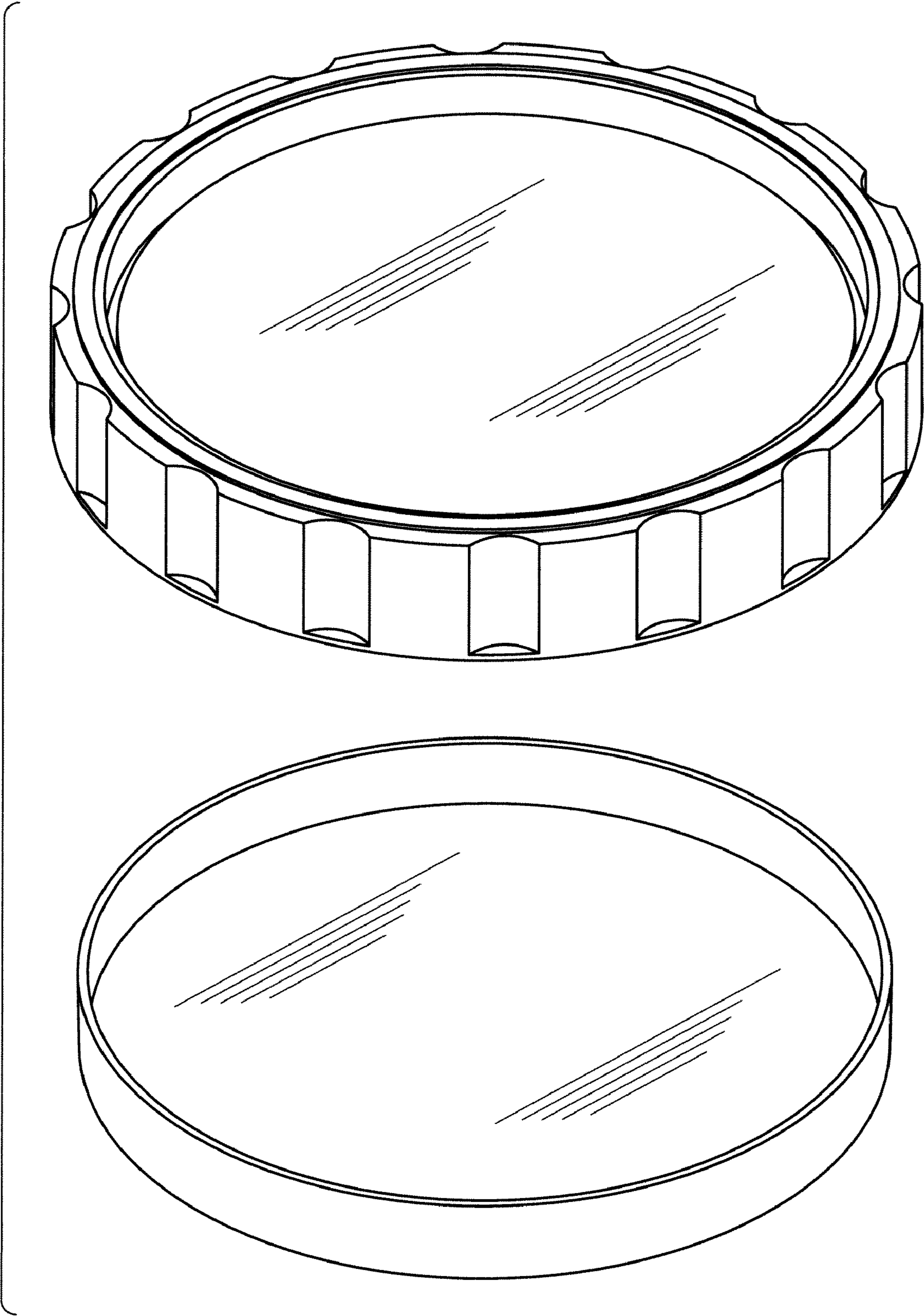


FIG. 7