

US00D563558S

(12) **United States Design Patent**  
**Ton**

(10) **Patent No.:** **US D563,558 S**

(45) **Date of Patent:** **\*\* Mar. 4, 2008**

(54) **PEDICURE SPA**

(76) **Inventor:** **Quy That Ton**, 3131 Dalrymple Dr.,  
Baton Rouge, LA (US) 70815

(\*\*) **Term:** **14 Years**

(21) **Appl. No.:** **29/278,656**

(22) **Filed:** **Apr. 5, 2007**

**Related U.S. Application Data**

(63) Continuation of application No. 29/263,078, filed on  
Jul. 14, 2006, now Pat. No. Des. 546,957.

(51) **LOC (8) Cl.** ..... **24-04**

(52) **U.S. Cl.** ..... **D24/201**

(58) **Field of Classification Search** ..... D24/200–205,  
D24/212–213; D28/56, 61; D6/336, 495;  
601/6, 15, 16, 64, 157–158, 30–32; 607/44;  
4/622, 574.1

See application file for complete search history.

(56) **References Cited**

**U.S. PATENT DOCUMENTS**

D247,511 S \* 3/1978 Lee et al. .... D24/205

D303,162 S \* 8/1989 Meyerovich et al. .... D28/61

D346,043 S \* 4/1994 Galati et al. .... D28/61  
D457,018 S \* 5/2002 Park ..... D6/495  
6,503,212 B2 \* 1/2003 Park ..... 601/158  
D506,830 S \* 6/2005 Zimmermann ..... D24/204

\* cited by examiner

*Primary Examiner*—Ian Simmons

*Assistant Examiner*—Melanie Levy

(74) *Attorney, Agent, or Firm*—Thomas, Kayden,  
Horstemeyer & Risley, LLP

(57) **CLAIM**

I claim the ornamental design for a pedicure spa, as shown  
and described.

**DESCRIPTION**

FIG. 1 is a perspective view showing the front, right and  
upper side of a pedicure spa, showing my new design;

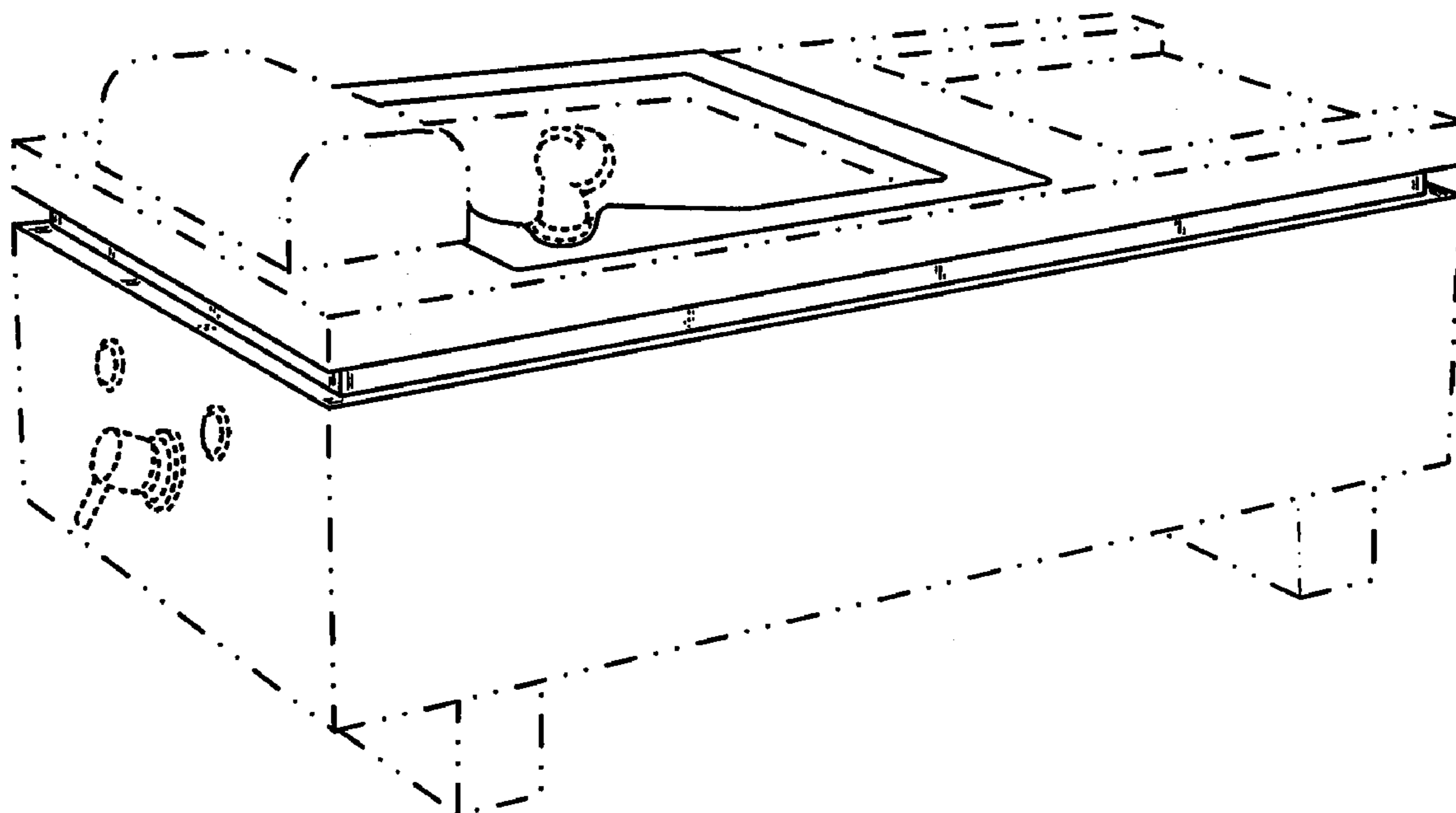
FIG. 2 is a right side view thereof;

FIG. 3 is a perspective view showing the rear, left and upper  
side thereof; and,

FIG. 4 is a front view thereof.

The broken lines are for illustrative purposes only and form  
no part of the claimed design.

**1 Claim, 2 Drawing Sheets**



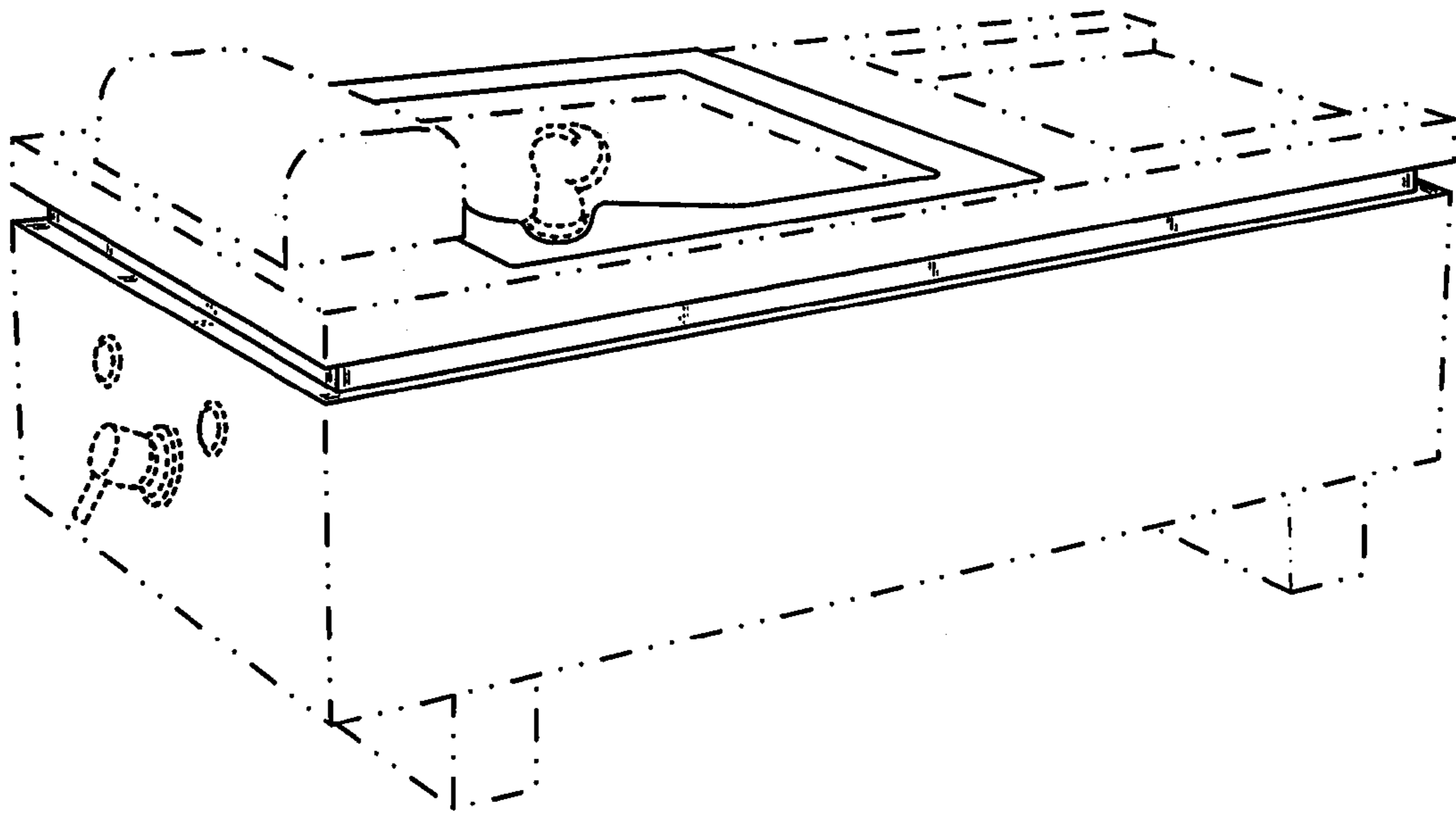


Fig. 1

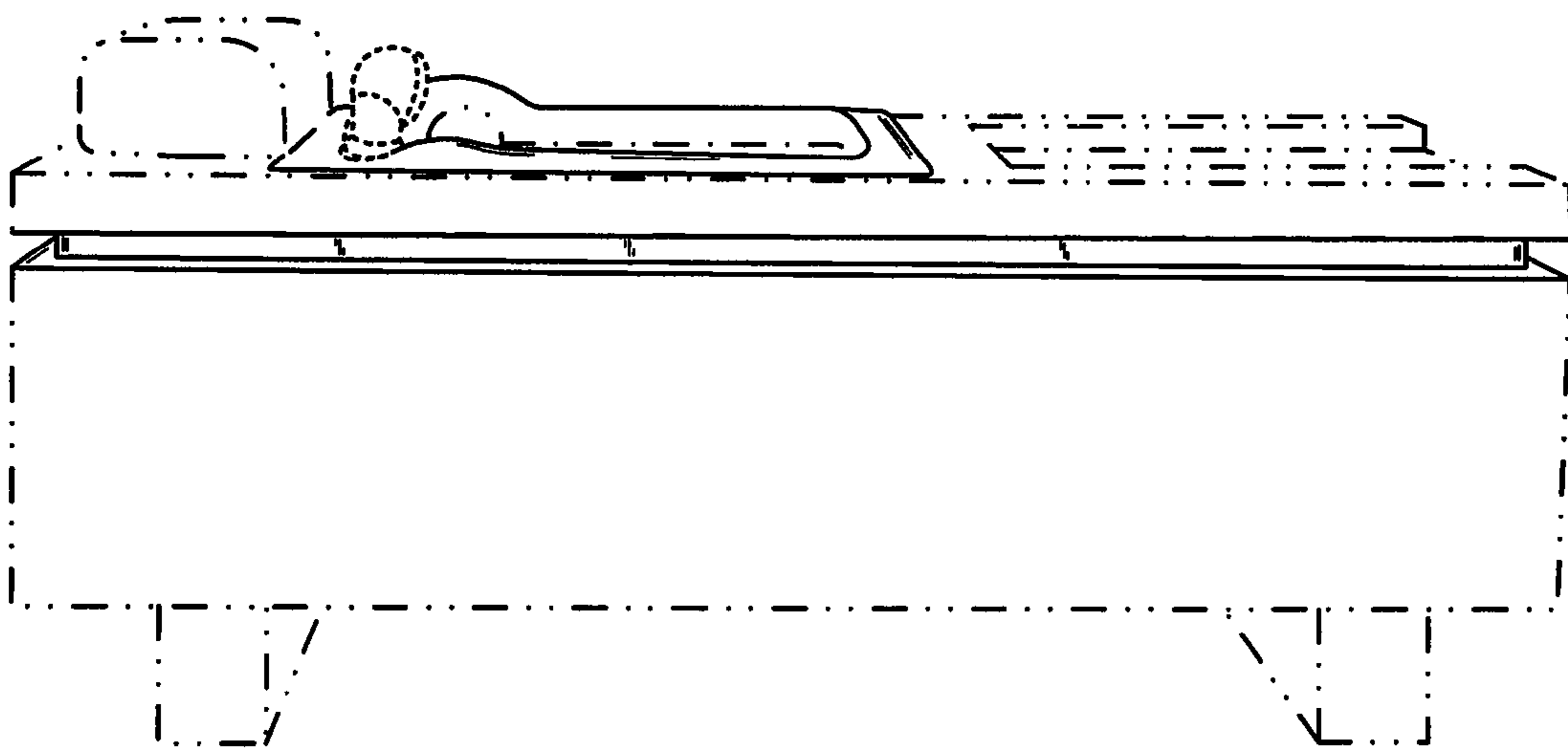


Fig. 2

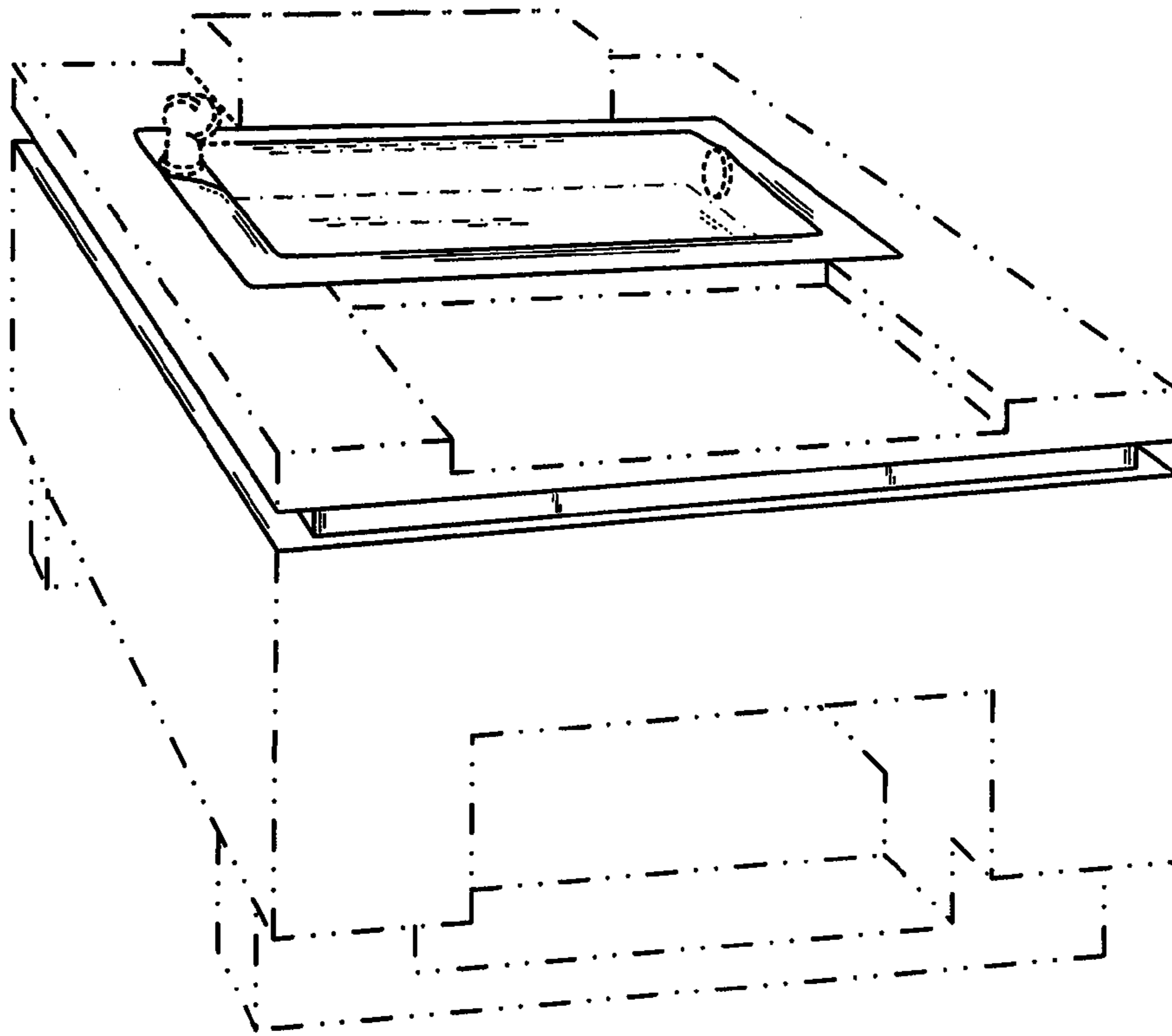


Fig. 3

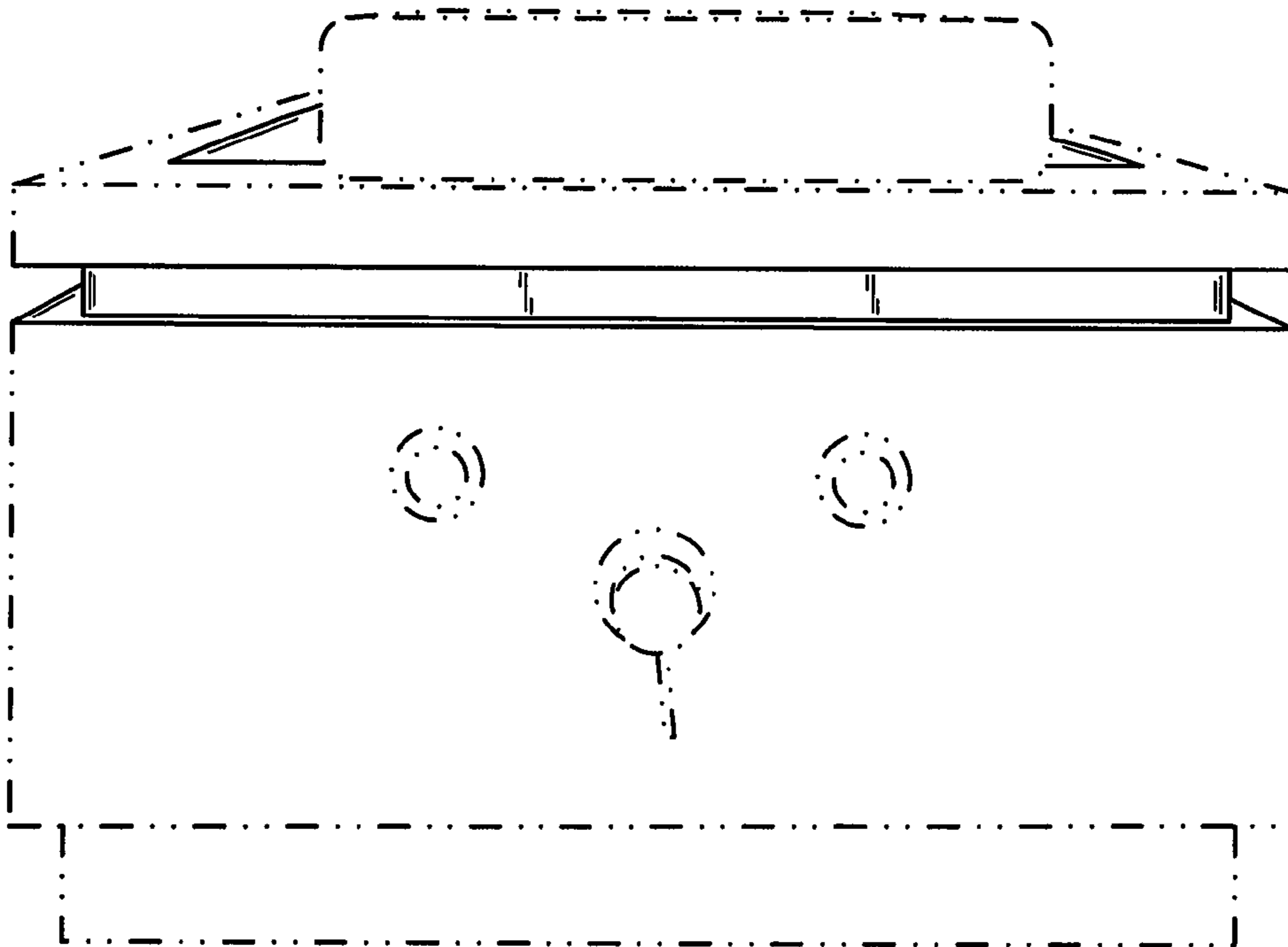


Fig. 4