



US00D563556S

(12) **United States Design Patent**
Baba

(10) **Patent No.:** **US D563,556 S**
(45) **Date of Patent:** **** Mar. 4, 2008**

(54) **ELECTROMAGNETIC WAVE DETECTOR
FOR A MAGNETIC RESONANCE
TOMOGRAPHY APPARATUS**

D364,927 S * 12/1995 Murakami et al. D24/159
D380,832 S 7/1997 Isshiki et al.
D386,261 S 11/1997 Lee et al.
D447,803 S * 9/2001 Yanagihara et al. D24/159
6,917,666 B2 * 7/2005 Wollenweber 378/20

(75) Inventor: **Noriaki Baba**, Tokyo (JP)

(73) Assignees: **Kabushiki Kaisha Toshiba (JP);
Toshiba Medical Systems Corporation
(JP)**

(**) Term: **14 Years**

(21) Appl. No.: **29/280,292**

(22) Filed: **May 23, 2007**

(30) **Foreign Application Priority Data**

Nov. 24, 2006 (JP) 2006-032216

(51) **LOC (8) Cl.** **24-01**

(52) **U.S. Cl.** **D24/158**

(58) **Field of Classification Search** D24/158-161;
378/4, 19-21, 23, 25, 27, 146; 324/309,
324/318, 319, 321

See application file for complete search history.

(56) **References Cited**

U.S. PATENT DOCUMENTS

D283,729 S 5/1986 Ramsey
D300,849 S 4/1989 Steinhilber et al.
D306,577 S 3/1990 Matsutani et al.
D313,073 S 12/1990 Kaufman et al.
D318,726 S 7/1991 Takekoshi et al.
D320,660 S 10/1991 Foreman et al.
D323,711 S 2/1992 Takekoshi et al.
D325,632 S 4/1992 Kogane et al.
D347,063 S 5/1994 Ariyoshi et al.
D355,719 S * 2/1995 Murakami et al. D24/159

FOREIGN PATENT DOCUMENTS

JP 846898 9/1992
JP 929058 6/1995
JP 1002814 2/1998
JP 1067140 4/2000
JP 1094815 12/2000
JP 1282249 9/2006

* cited by examiner

Primary Examiner—Ian Simmons

Assistant Examiner—Anhdao Doan

(74) *Attorney, Agent, or Firm*—Banner & Witcoff, Ltd.

(57) **CLAIM**

The ornamental design for an electromagnetic wave detector for a magnetic resonance tomography apparatus, as shown and described.

DESCRIPTION

FIG. 1 is a front, top and right side perspective view of an electromagnetic wave detector for a magnetic resonance tomography apparatus, showing my new design;

FIG. 2 is a front elevational view thereof;

FIG. 3 is a rear elevational view thereof;

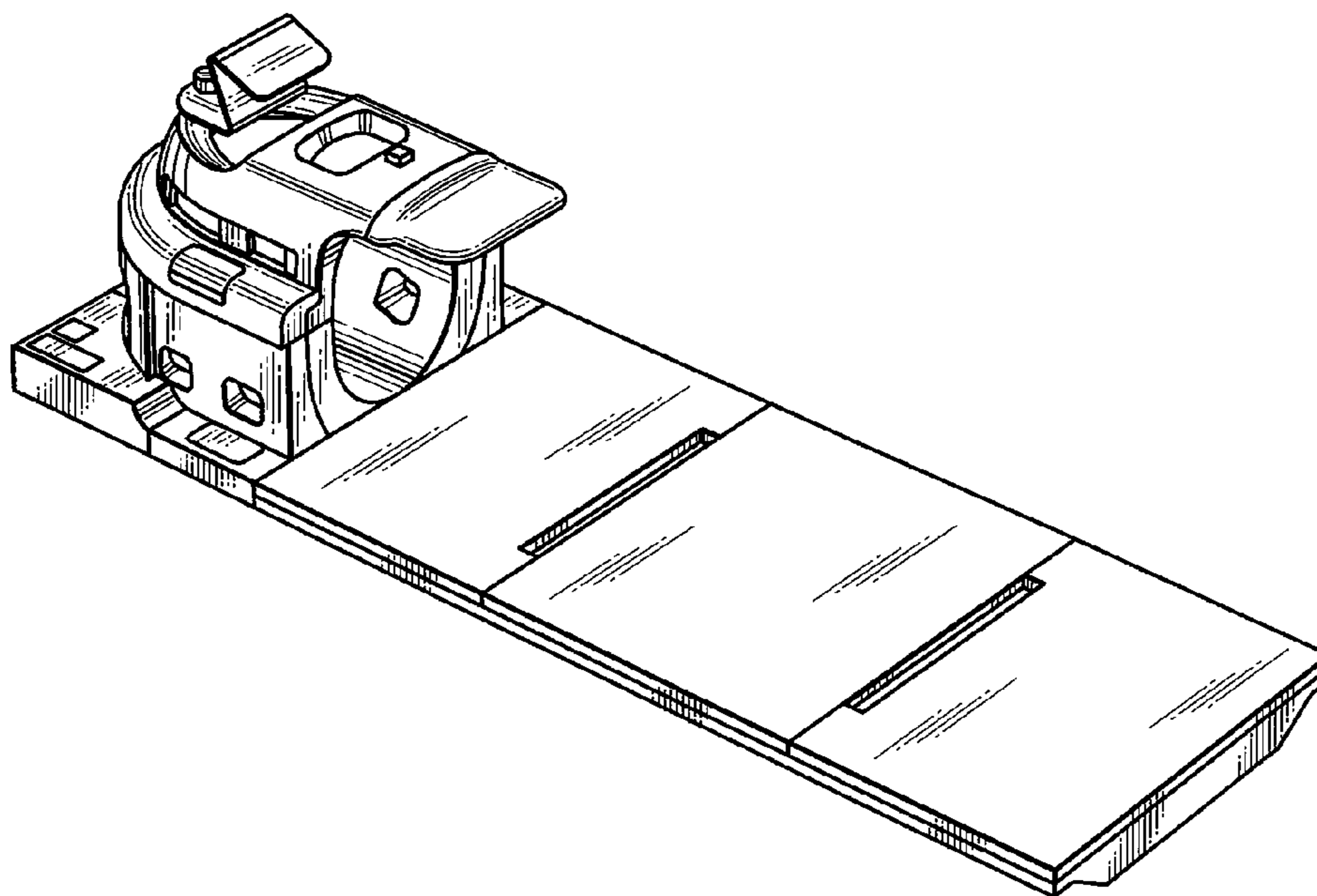
FIG. 4 is a top plan view thereof;

FIG. 5 is a bottom plan view thereof;

FIG. 6 is a right side elevational view thereof; and,

FIG. 7 is a left side elevational view thereof.

1 Claim, 2 Drawing Sheets



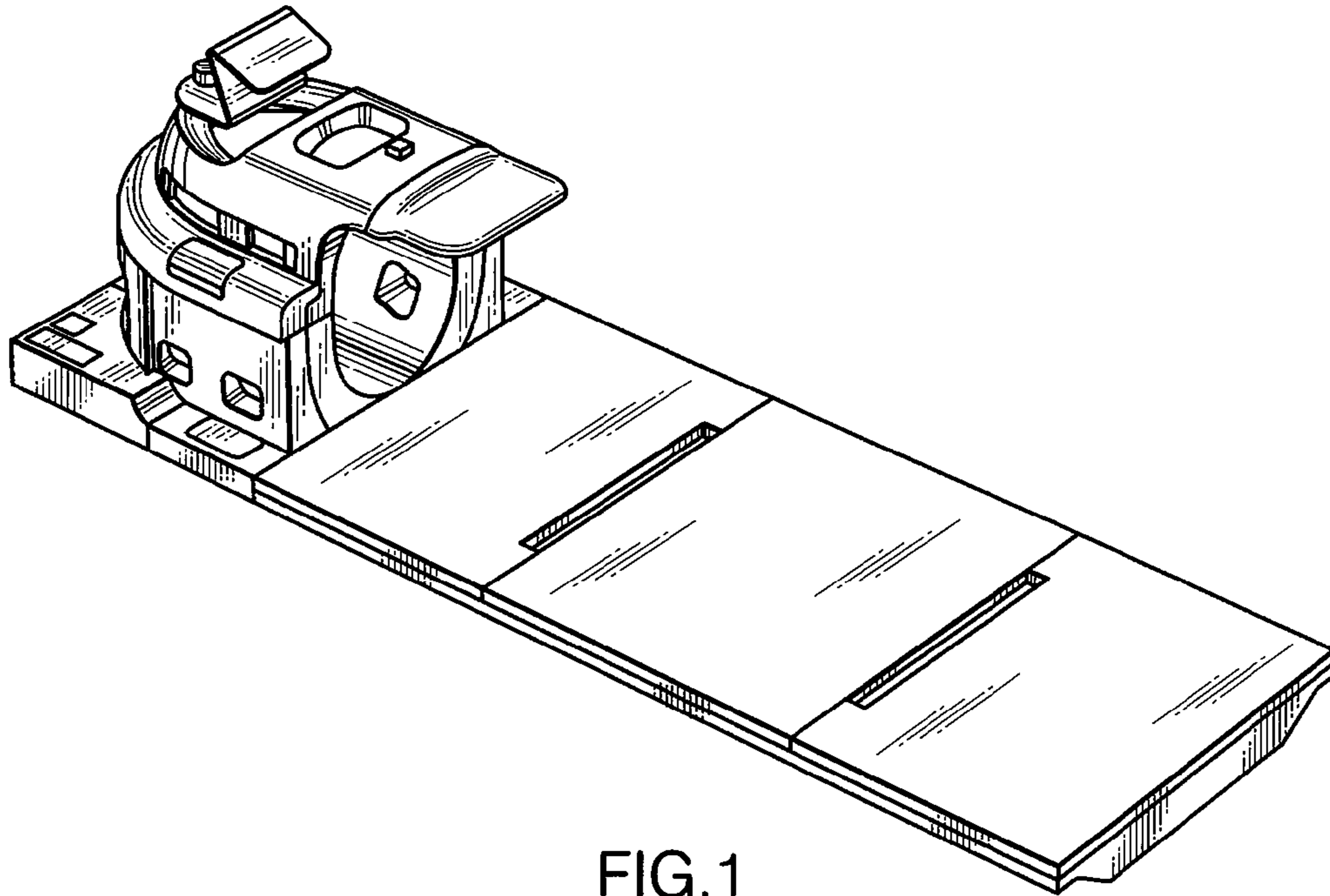


FIG. 1



FIG. 2

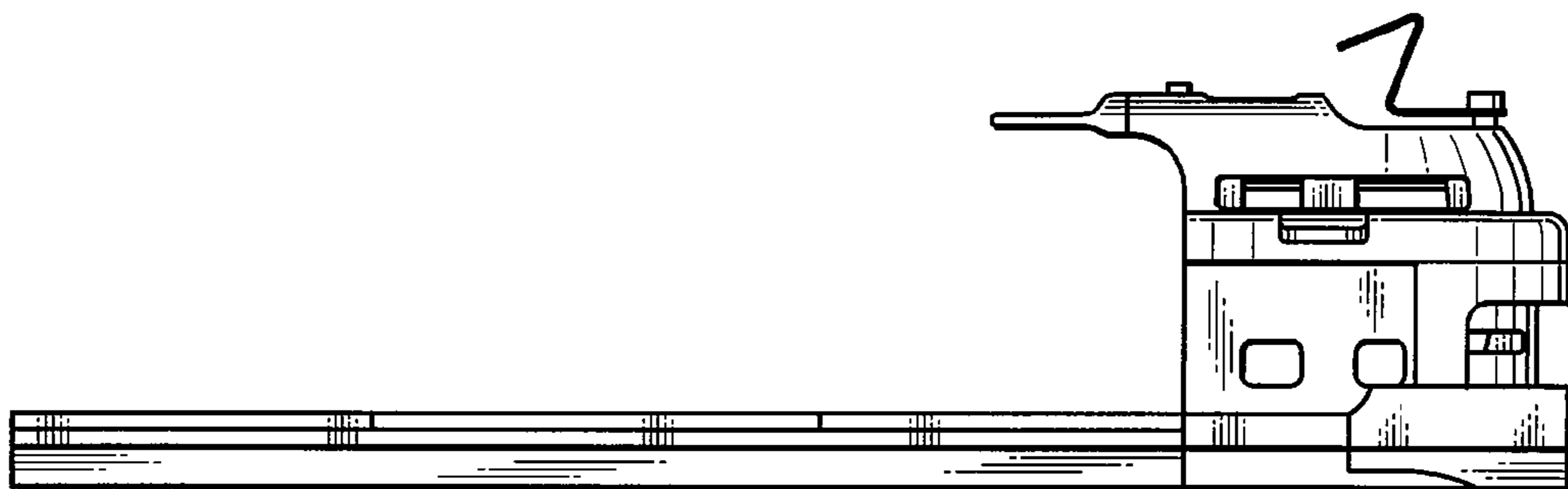


FIG. 3

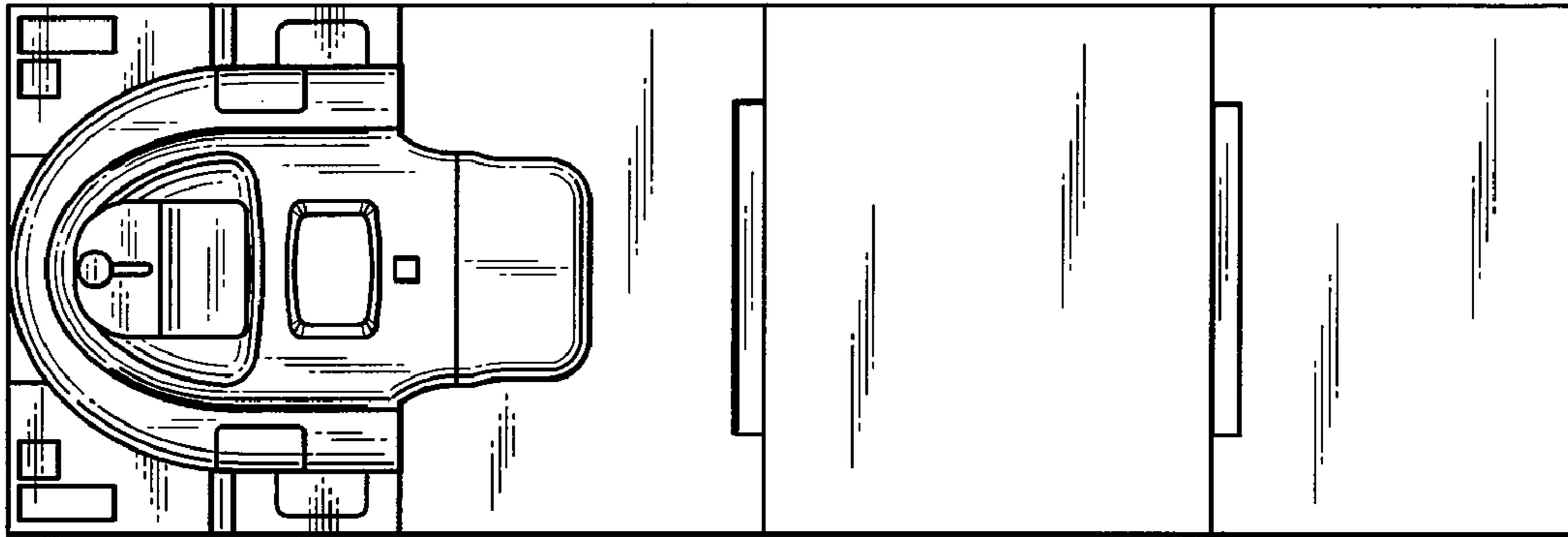


FIG. 4



FIG. 5

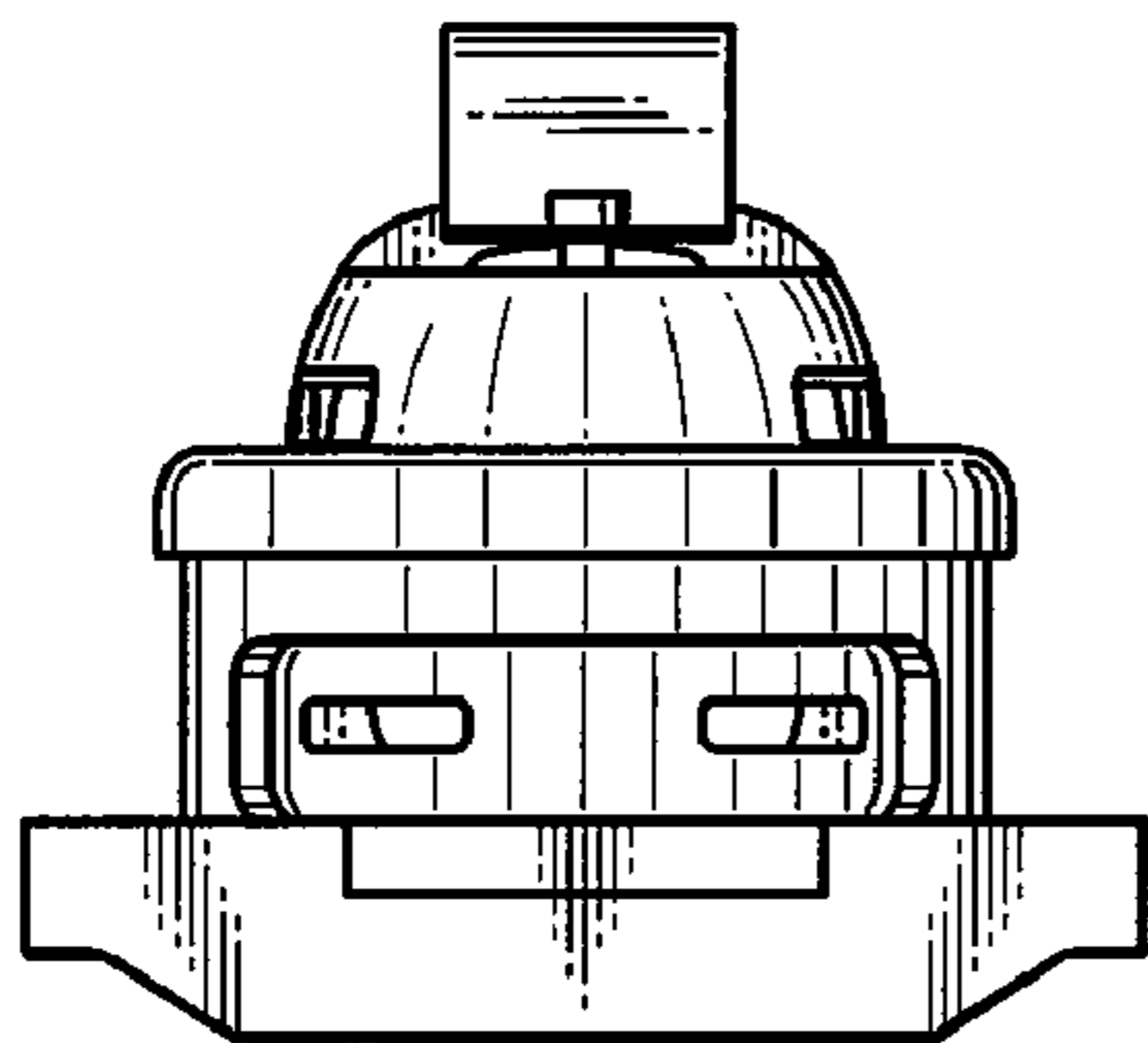


FIG. 7

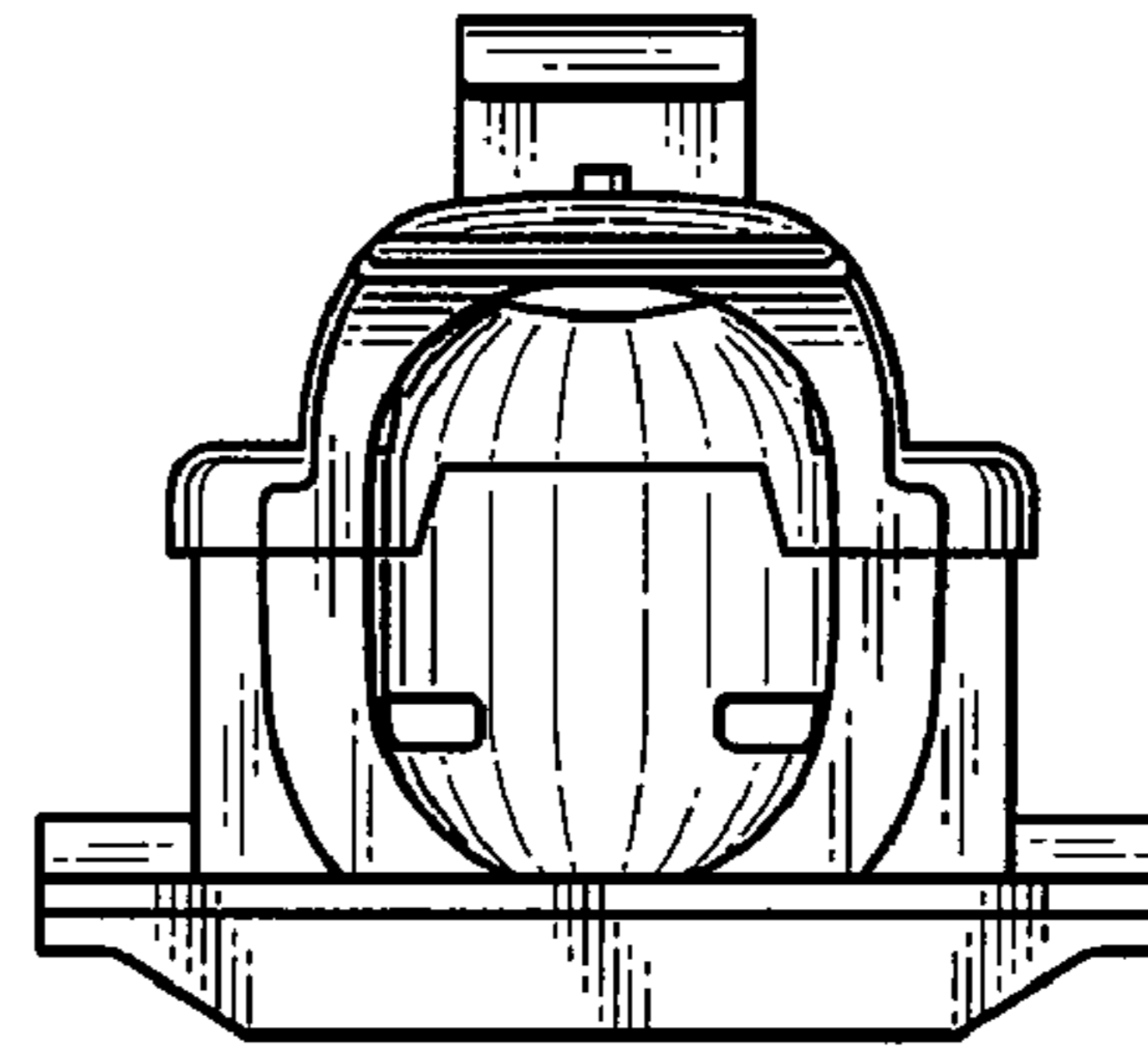


FIG. 6