



US00D563555S

(12) **United States Design Patent**
Kasai et al.

(10) **Patent No.:** **US D563,555 S**
(45) **Date of Patent:** **** Mar. 4, 2008**

(54) **MAGNETIC RESONANCE IMAGING APPARATUS**

(75) Inventors: **Yoshimi Kasai**, Kokubunji (JP);
Atsushi Ninomiya, Kokubunji (JP);
Masahiro Iizuka, Chiyoda (JP);
Hiroyuki Oozeki, Chiyoda (JP)

(73) Assignee: **Hitachi Medical Corporation**, Tokyo (JP)

(**) Term: **14 Years**

(21) Appl. No.: **29/280,084**

(22) Filed: **May 16, 2007**

(30) **Foreign Application Priority Data**

Nov. 17, 2006 (JP) 2006-031518

(51) **LOC (8) Cl.** **24-01**

(52) **U.S. Cl.** **D24/158**

(58) **Field of Classification Search** D24/158-161;
378/4, 19-21, 23, 25, 27, 146; 324/309,
324/318, 319, 321

See application file for complete search history.

(56) **References Cited**

U.S. PATENT DOCUMENTS

4,766,378 A * 8/1988 Danby et al. 324/319
D386,261 S * 11/1997 Lee et al. D24/159

6,215,308 B1 * 4/2001 Takekoshi et al. 324/319
D457,885 S * 5/2002 Yanagihara et al. D14/420
D461,249 S * 8/2002 Tsuzaki et al. D24/158
D513,533 S * 1/2006 Iwasaki et al. D24/158
2006/0033495 A1 * 2/2006 Yamamizu et al. 324/318

* cited by examiner

Primary Examiner—Ian Simmons

Assistant Examiner—Anhdao Doan

(74) *Attorney, Agent, or Firm*—Antonelli, Terry, Stout & Kraus, LLP.

(57) **CLAIM**

We claim the ornamental design for a magnetic resonance imaging apparatus, as shown.

DESCRIPTION

FIG. 1 is a front, top and right side perspective view of a magnetic resonance imaging apparatus showing our new design;

FIG. 2 is a front elevational view thereof;

FIG. 3 is a rear side elevational view thereof;

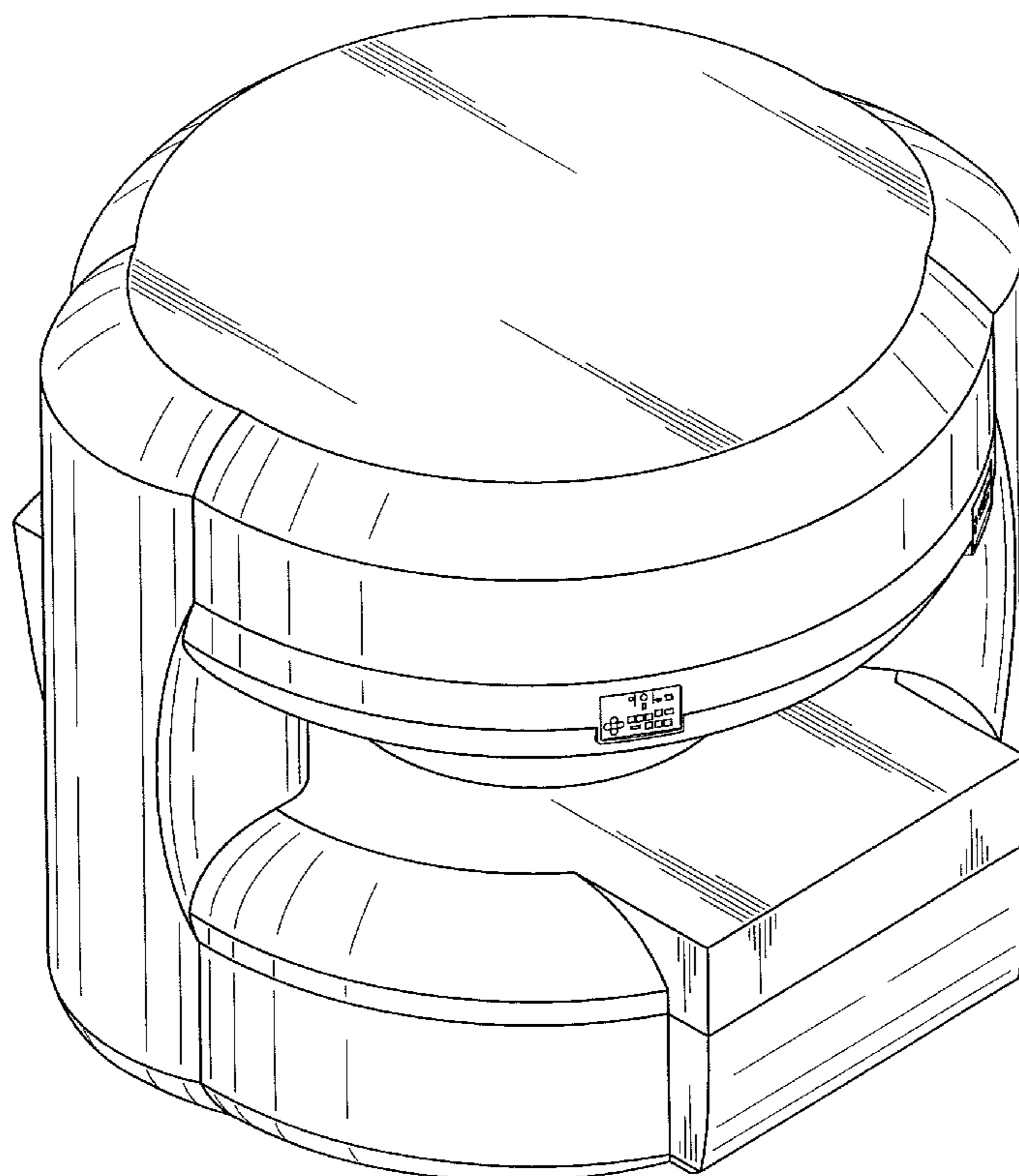
FIG. 4 is a right side elevational view thereof;

FIG. 5 is a left side elevational view thereof;

FIG. 6 is a top plan view thereof; and,

FIG. 7 is a bottom plan view thereof.

1 Claim, 7 Drawing Sheets



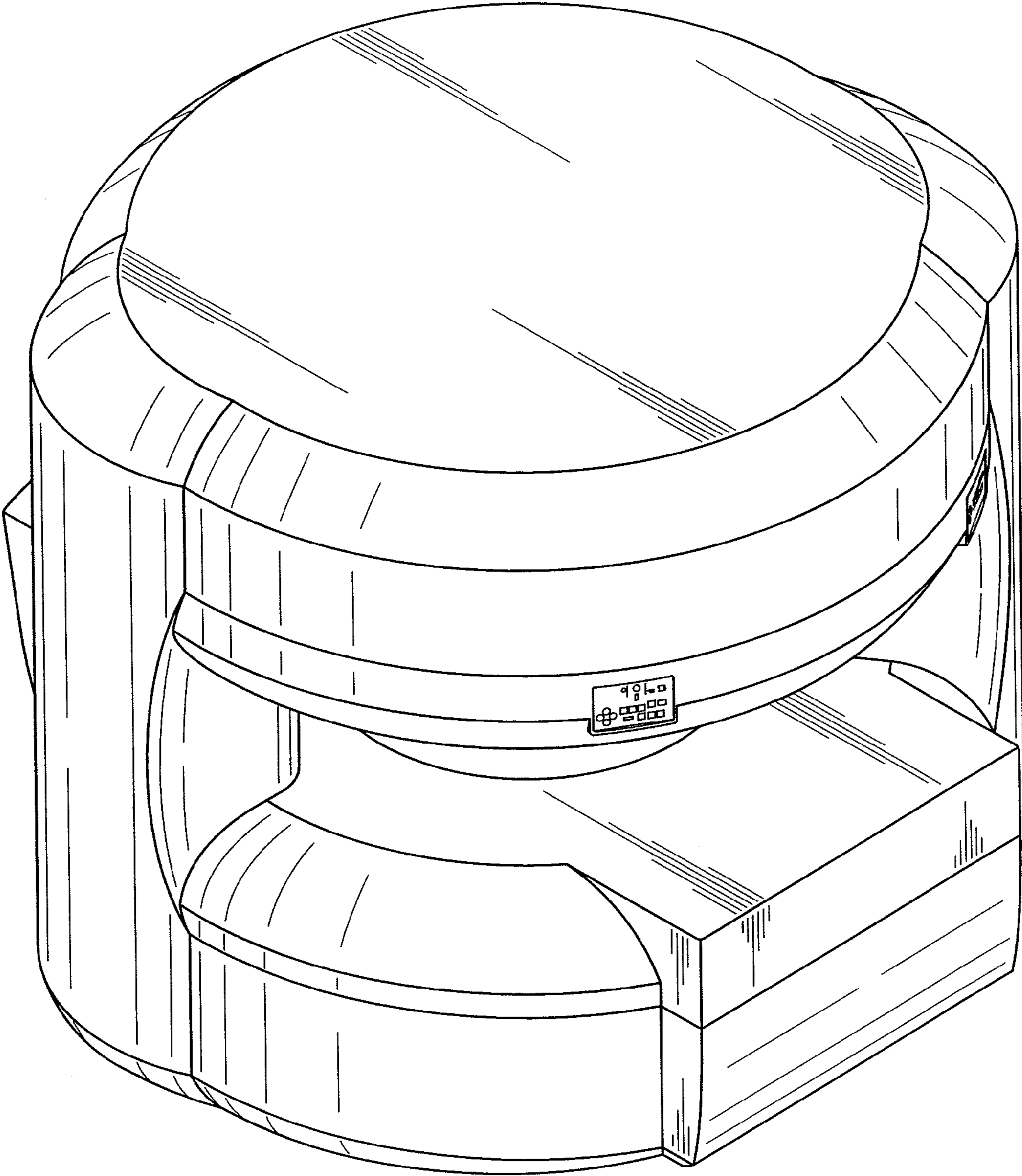


FIG. 1

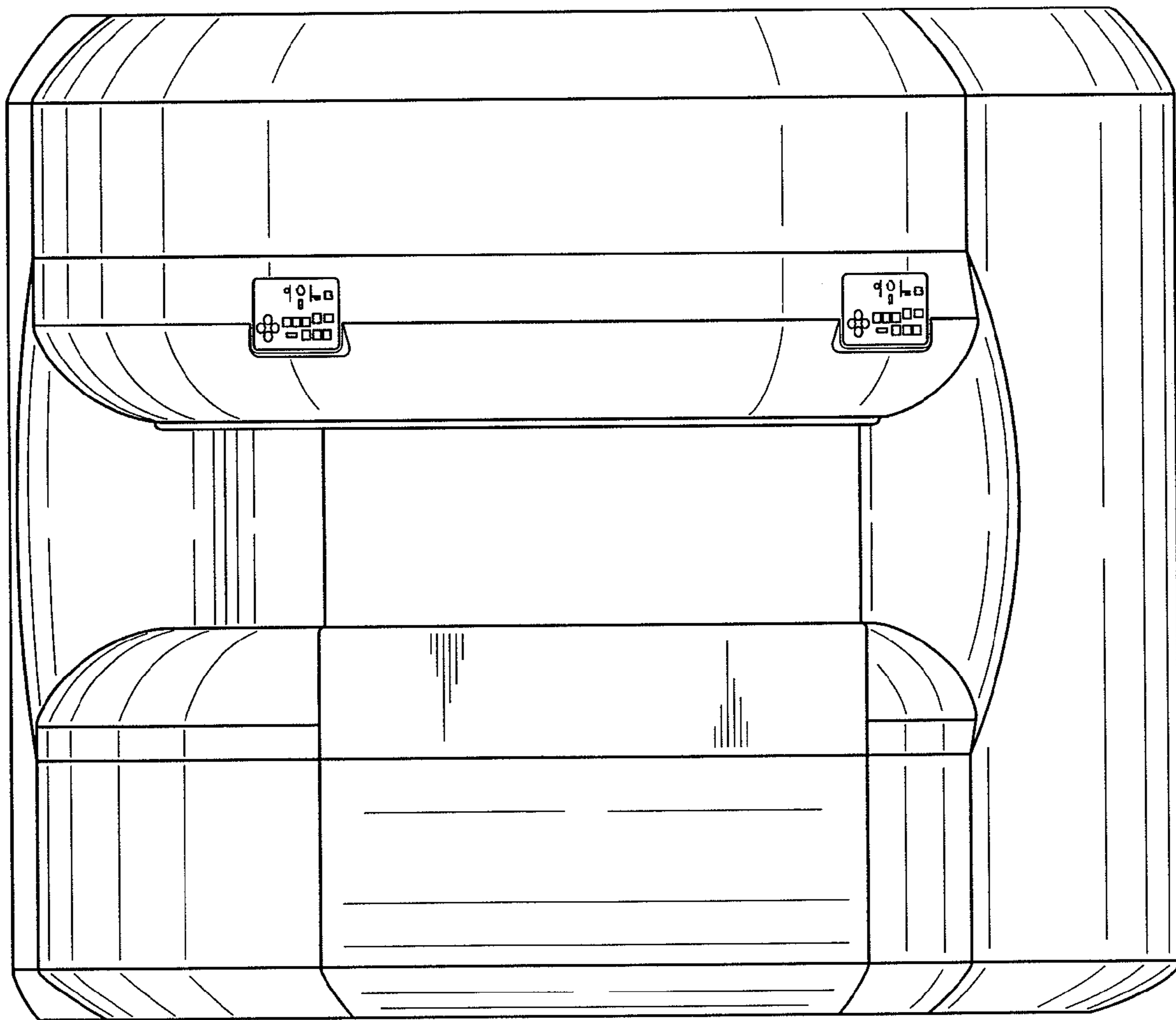


FIG. 2

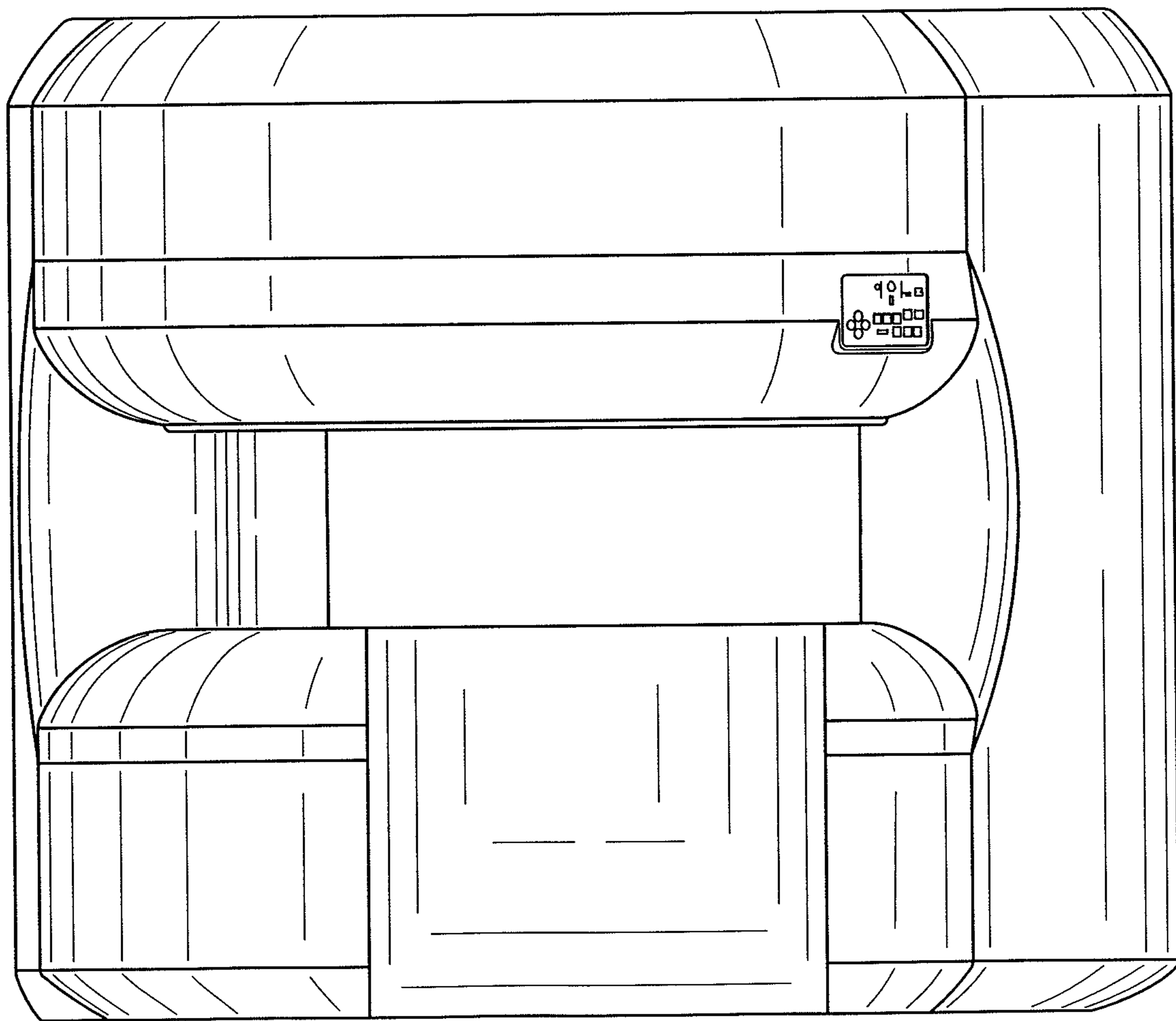


FIG. 3

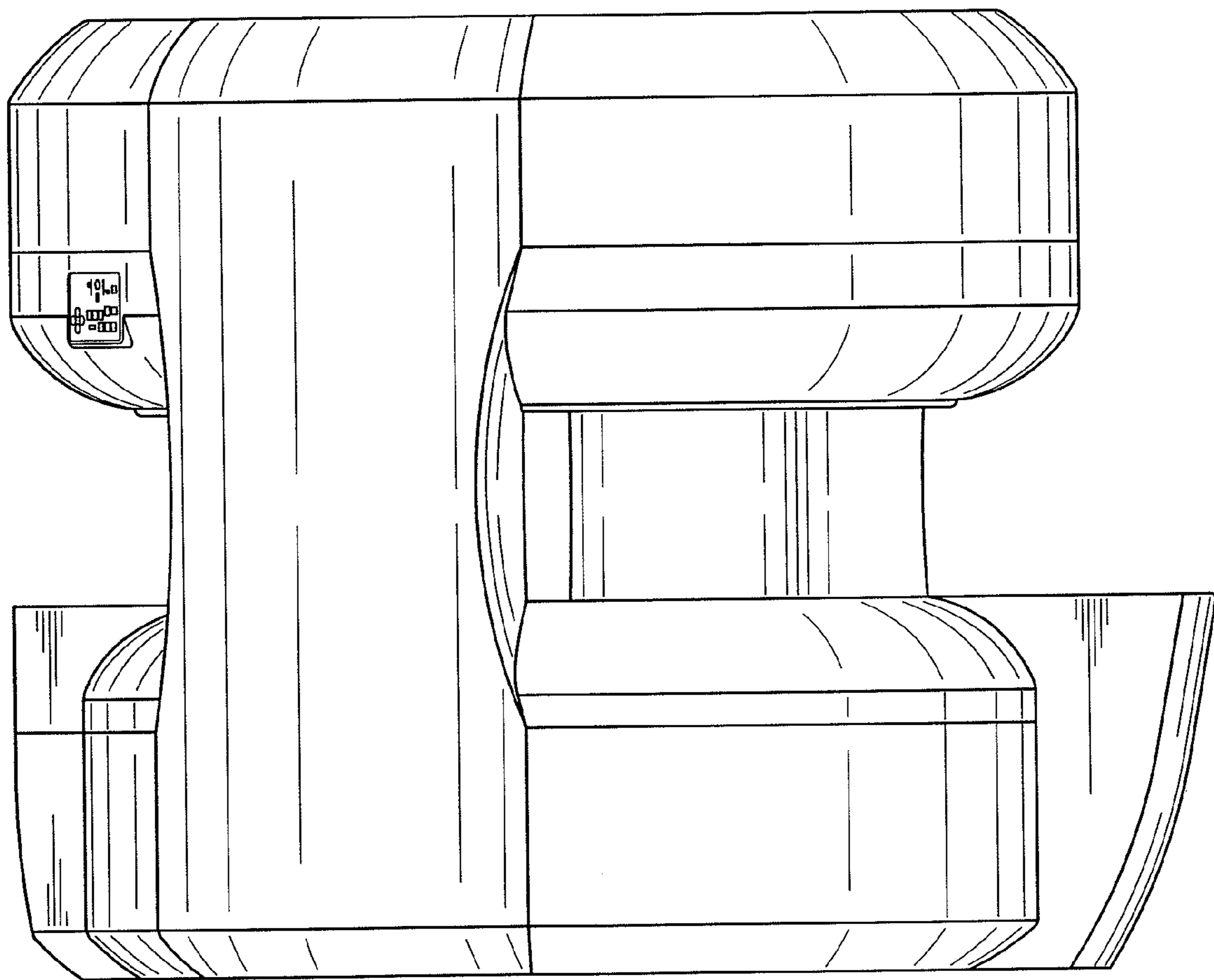


FIG. 4

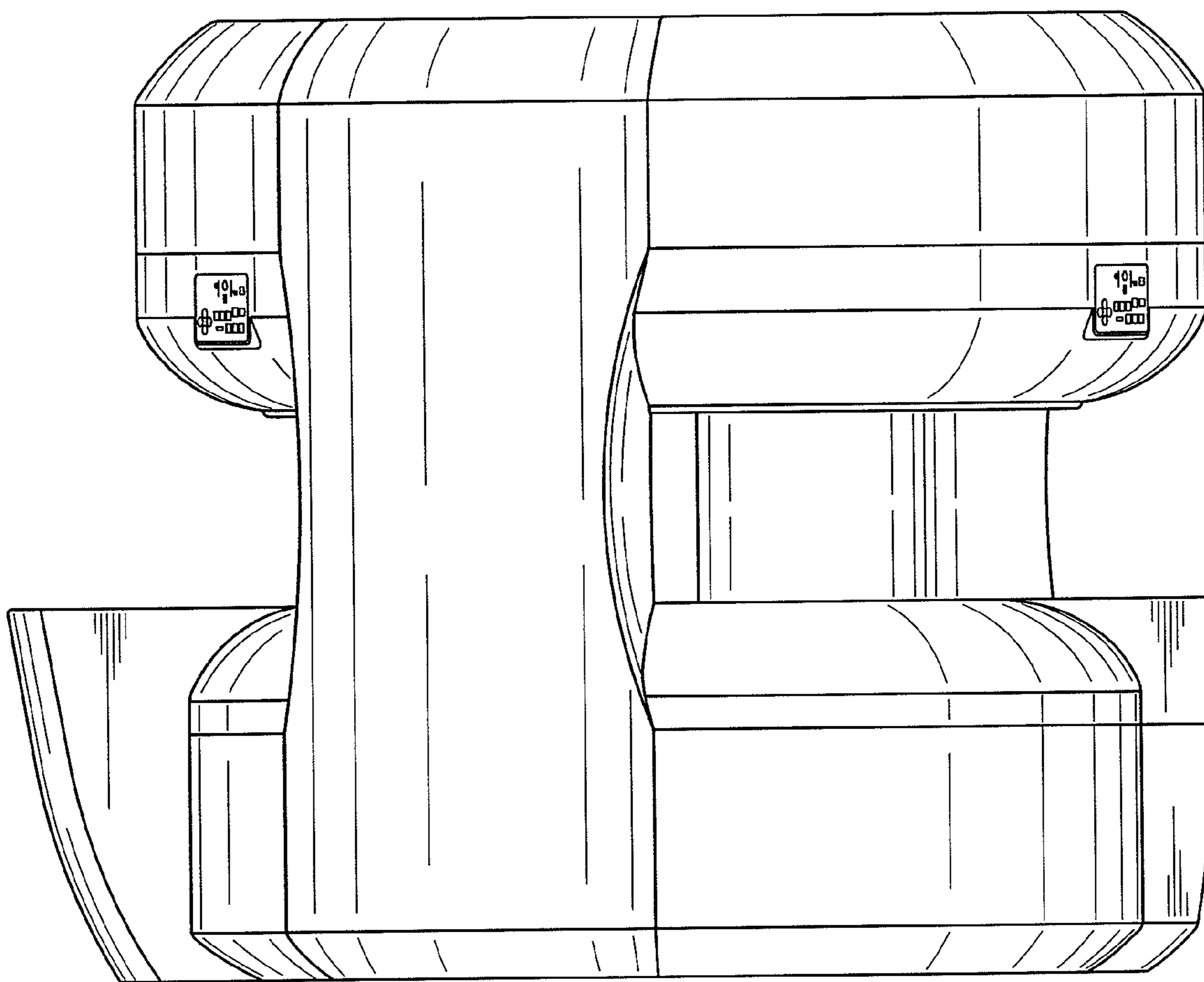


FIG. 5

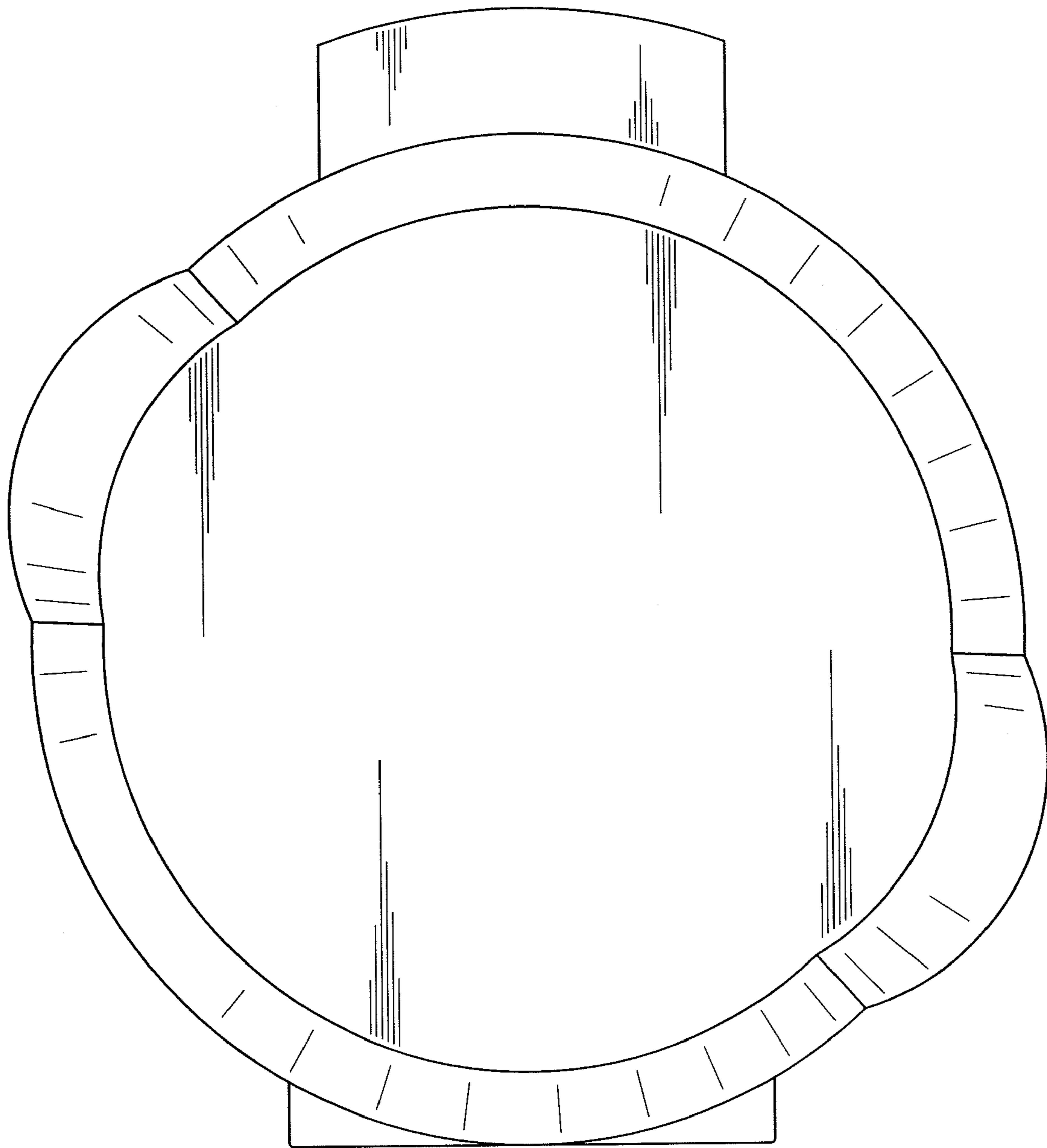


FIG. 6

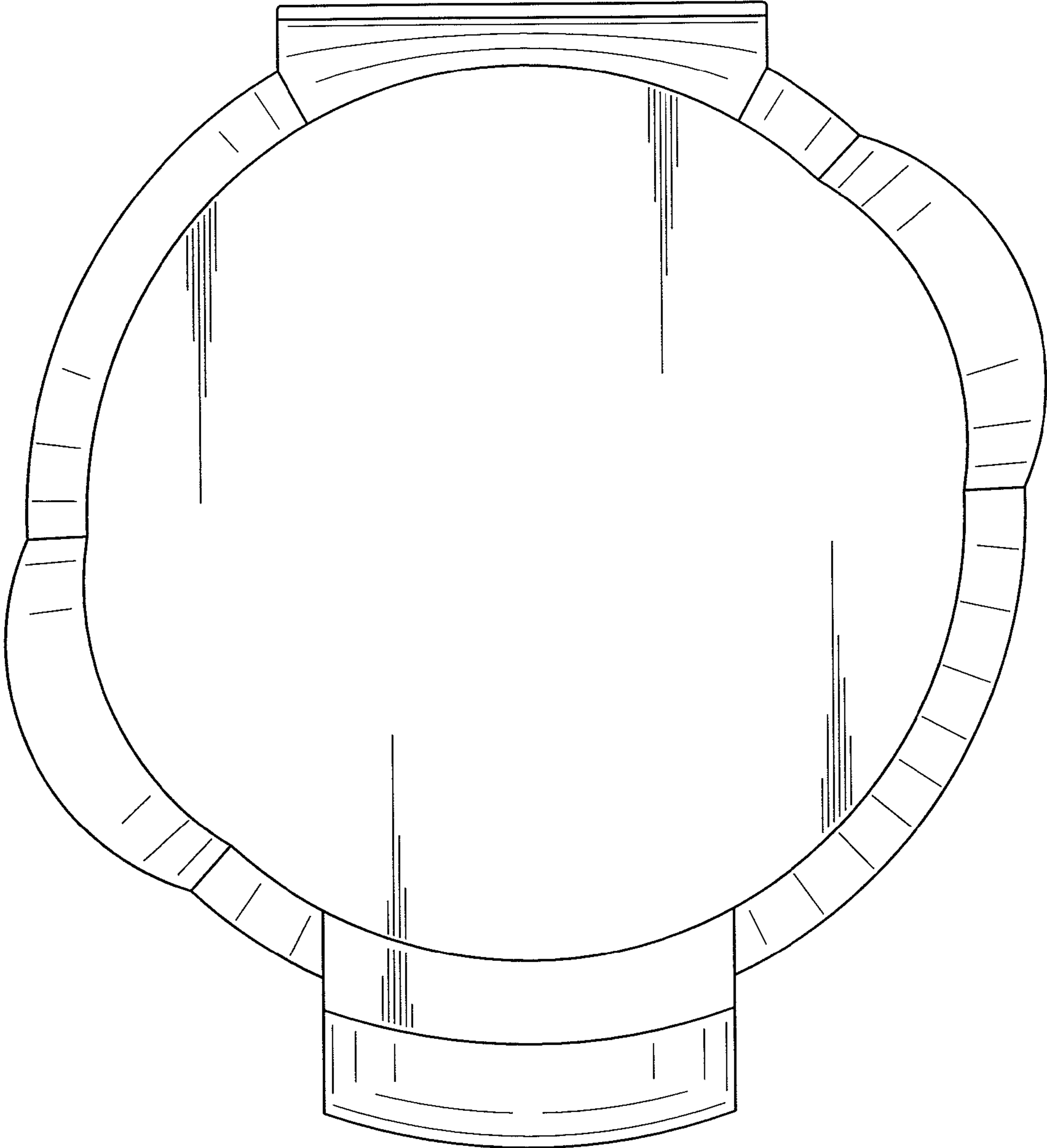


FIG. 7