



US00D563553S

(12) **United States Design Patent**
Saito et al.

(10) **Patent No.:** **US D563,553 S**
(45) **Date of Patent:** **** Mar. 4, 2008**

(54) **X-RAY APPARATUS FOR MEDICAL TREATMENT**

JP 759535-2 2/1992
JP 980821 5/1997

(75) Inventors: **Yuko Saito**, Tachikawa (JP); **Naoko Chikuma**, Tokyo (JP); **Kenji Ido**, Yokohama (JP); **Noriaki Baba**, Tokyo (JP)

(73) Assignees: **Kabushiki Kaisha Toshiba** (JP); **Toshiba Medical Systems Corporation** (JP)

(**) Term: **14 Years**

(21) Appl. No.: **29/271,998**

(22) Filed: **Jan. 31, 2007**

(30) **Foreign Application Priority Data**

Oct. 30, 2006 (JP) 2006-029508

(51) **LOC (8) Cl.** **24-01**

(52) **U.S. Cl.** **D24/158**

(58) **Field of Classification Search** D24/158-161;
378/4, 19-21, 146, 37, 38, 102
See application file for complete search history.

(56) **References Cited**

U.S. PATENT DOCUMENTS

D208,284 S * 8/1967 Waine D24/158
D315,207 S * 3/1991 Korvenmaa D24/158
D331,110 S * 11/1992 Virta et al. D24/158
D342,137 S * 12/1993 Guentner D24/158
D360,947 S * 8/1995 Saks-Cohan D24/158
D394,316 S * 5/1998 Kodama et al. D24/158

FOREIGN PATENT DOCUMENTS

JP 759535 4/1989

OTHER PUBLICATIONS

Toyo Medic catalogue of a breast X-ray apparatus, May 6, 2003.

* cited by examiner

Primary Examiner—Ian Simmons

Assistant Examiner—Anhdao Doan

(74) *Attorney, Agent, or Firm*—Banner & Witcoff, Ltd.

(57) **CLAIM**

The ornamental design for an x-ray apparatus for medical treatment, as shown and described.

DESCRIPTION

FIG. 1 is a front, top and right side perspective view of an x-ray apparatus for medical treatment, showing our new design;

FIG. 2 is a front elevational view thereof;

FIG. 3 is a rear elevational view thereof;

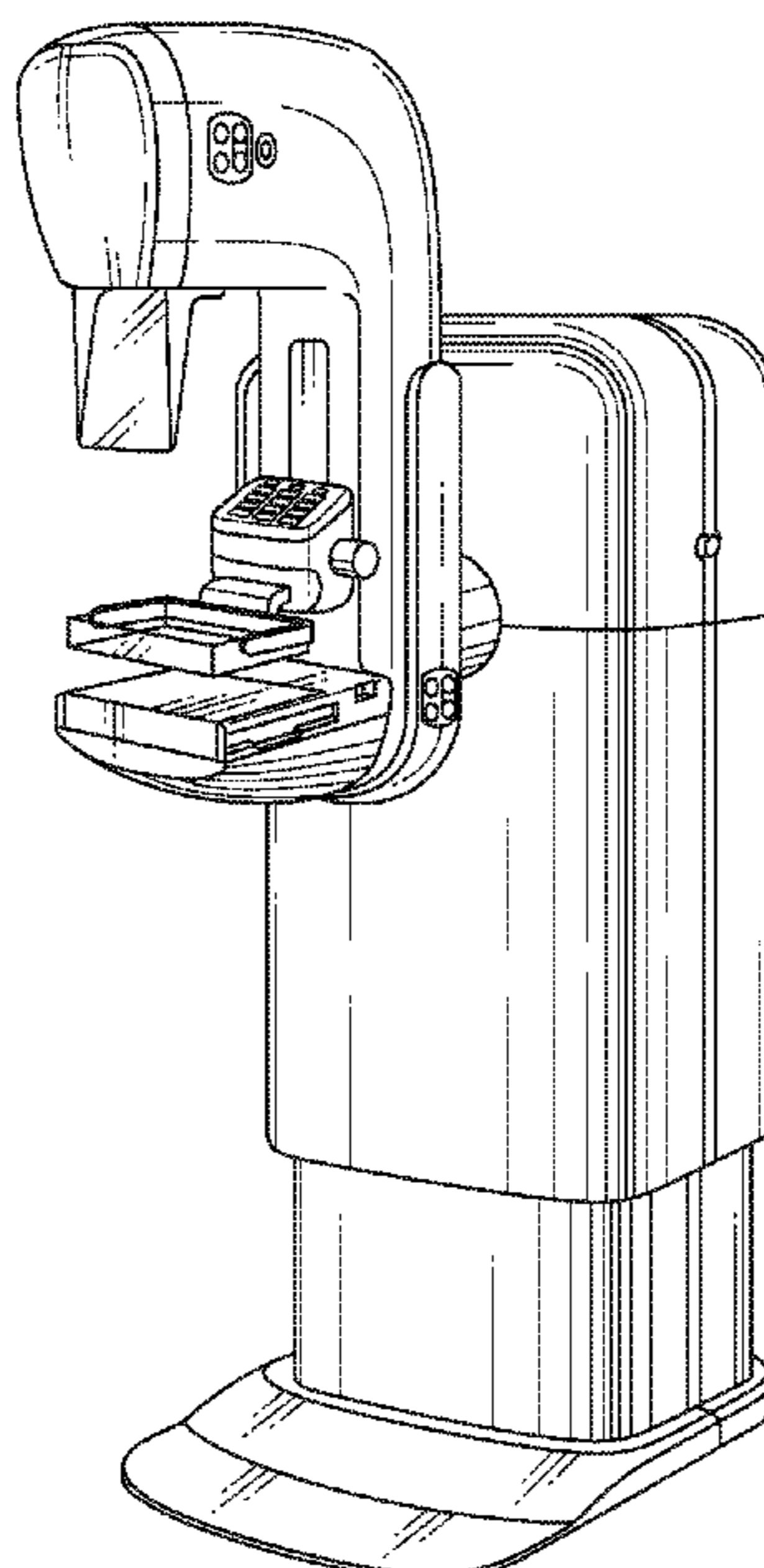
FIG. 4 is a top plan view thereof;

FIG. 5 is a bottom plan view thereof;

FIG. 6 is a right side elevational view thereof; the opposite side being a mirror image thereof; and,

FIG. 7 is a perspective view thereof with a compression holding plate section, stand and c-arm in an alternative position.

1 Claim, 7 Drawing Sheets



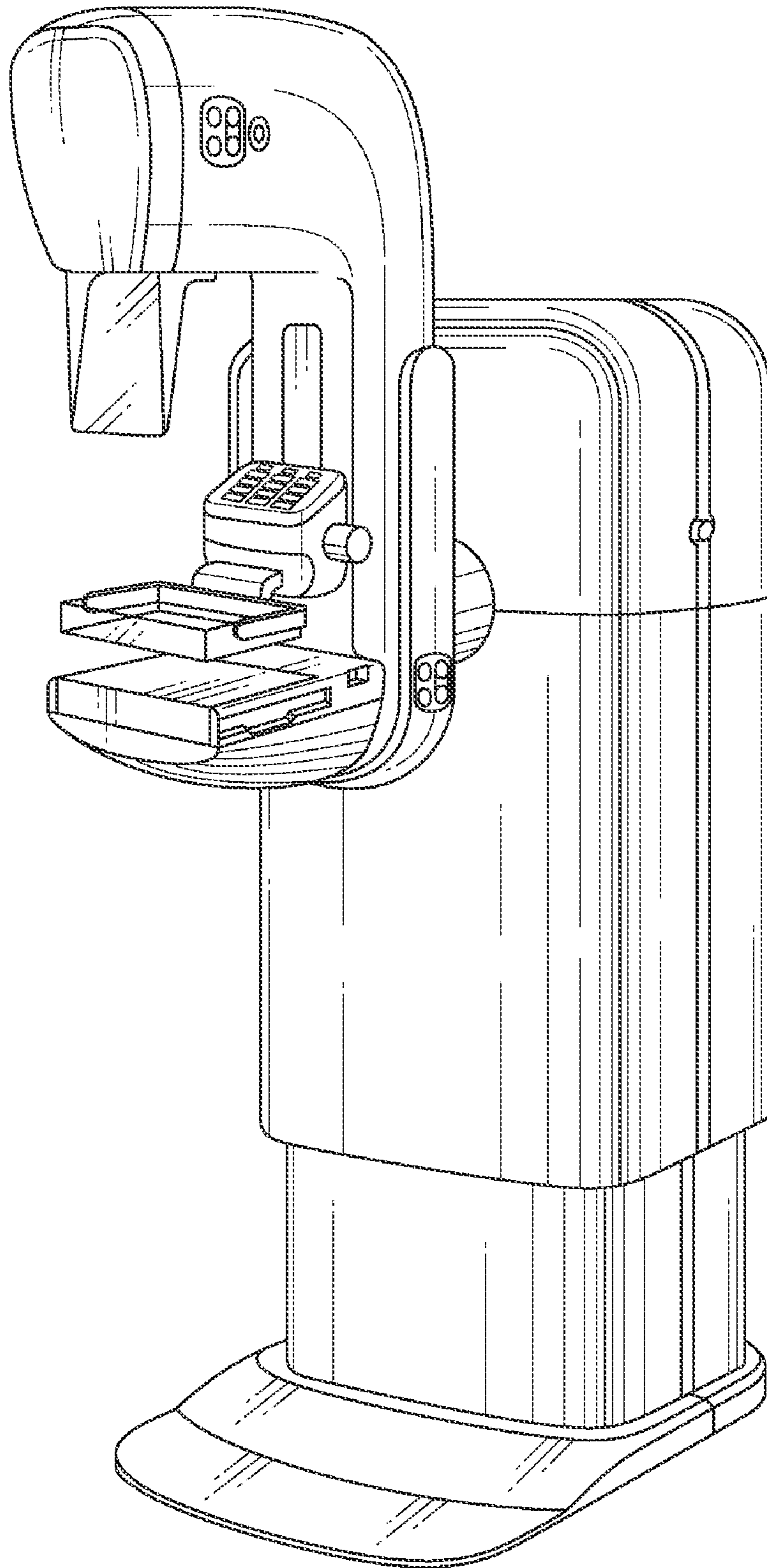


FIG. 1

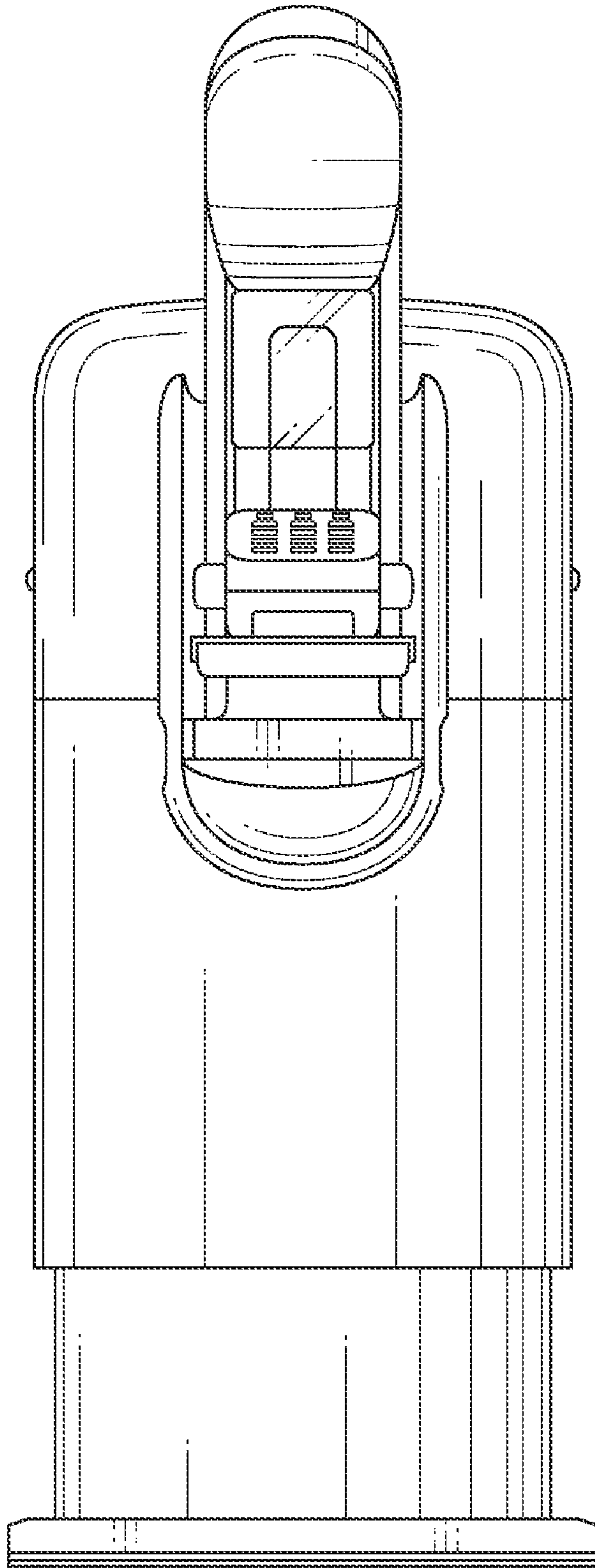


FIG. 2

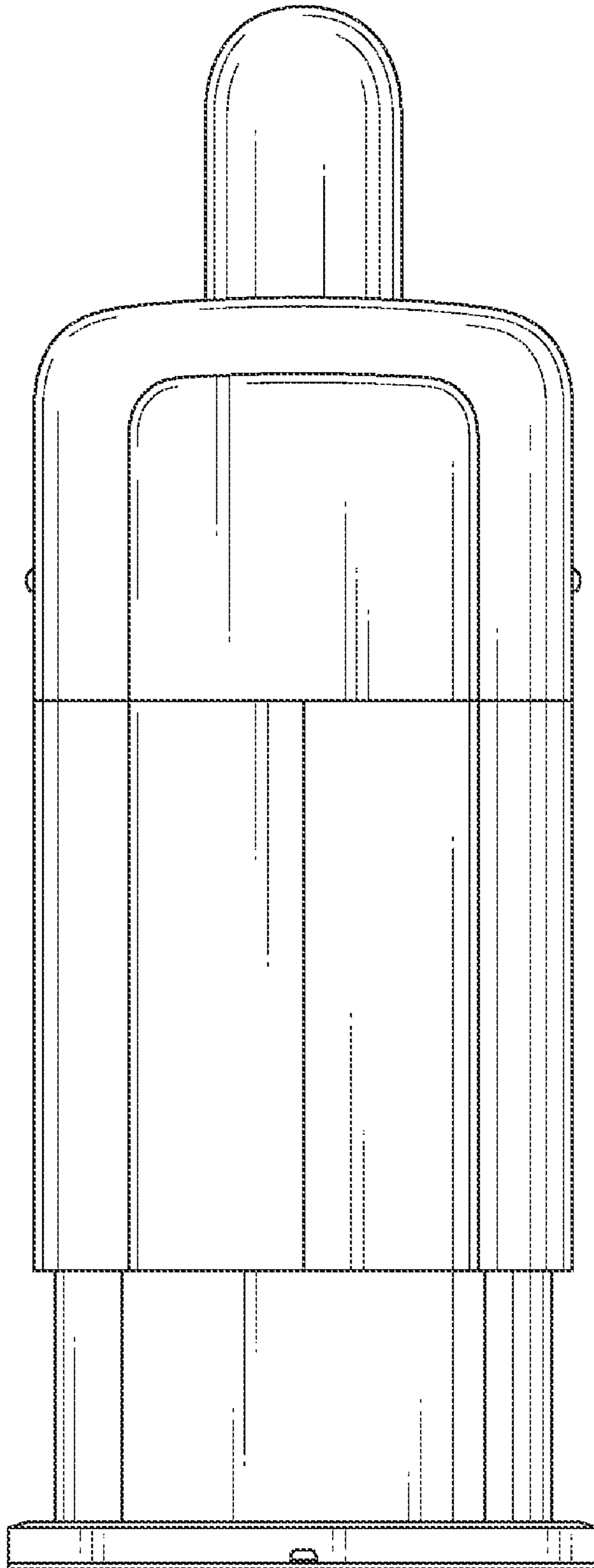


FIG. 3

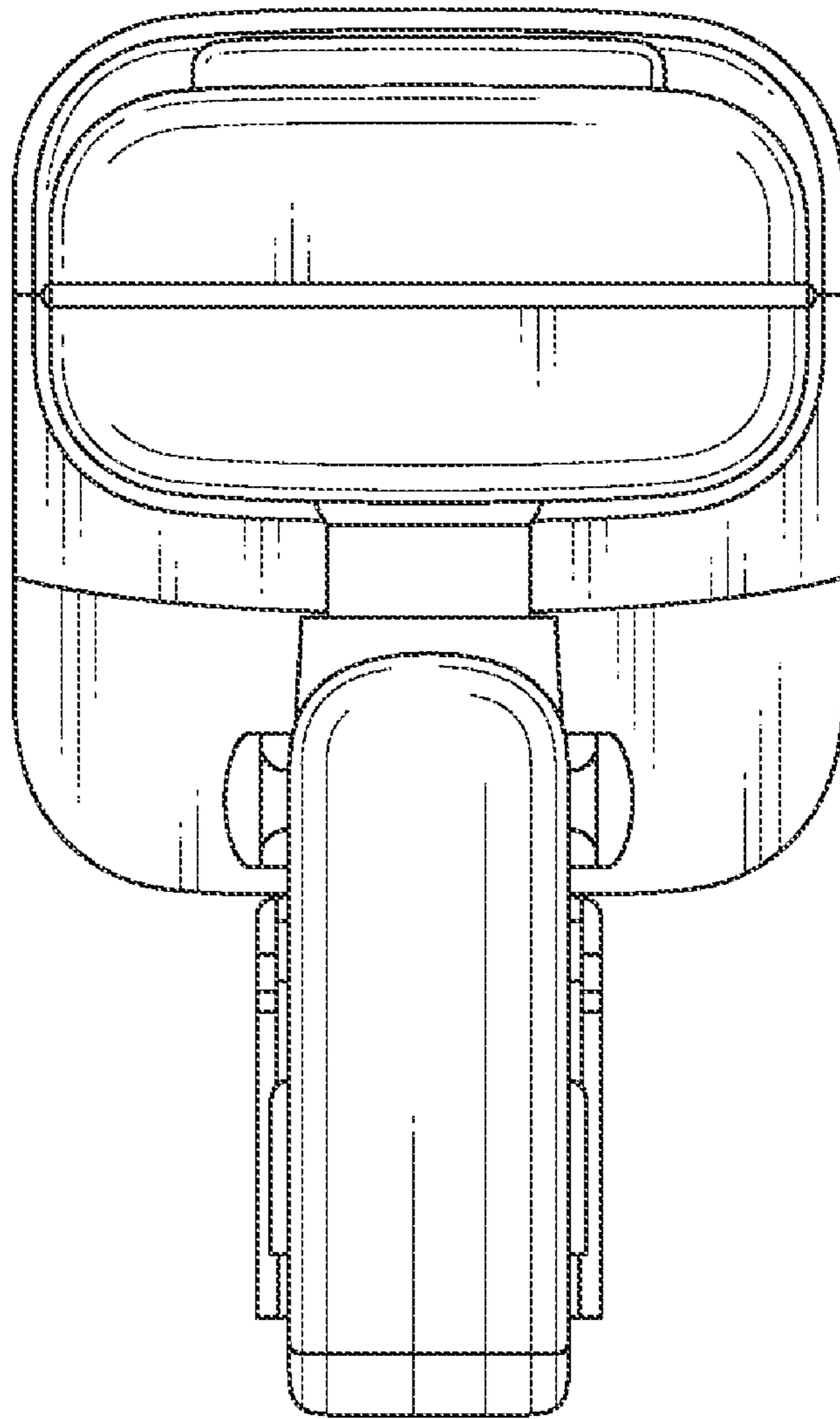


FIG. 4

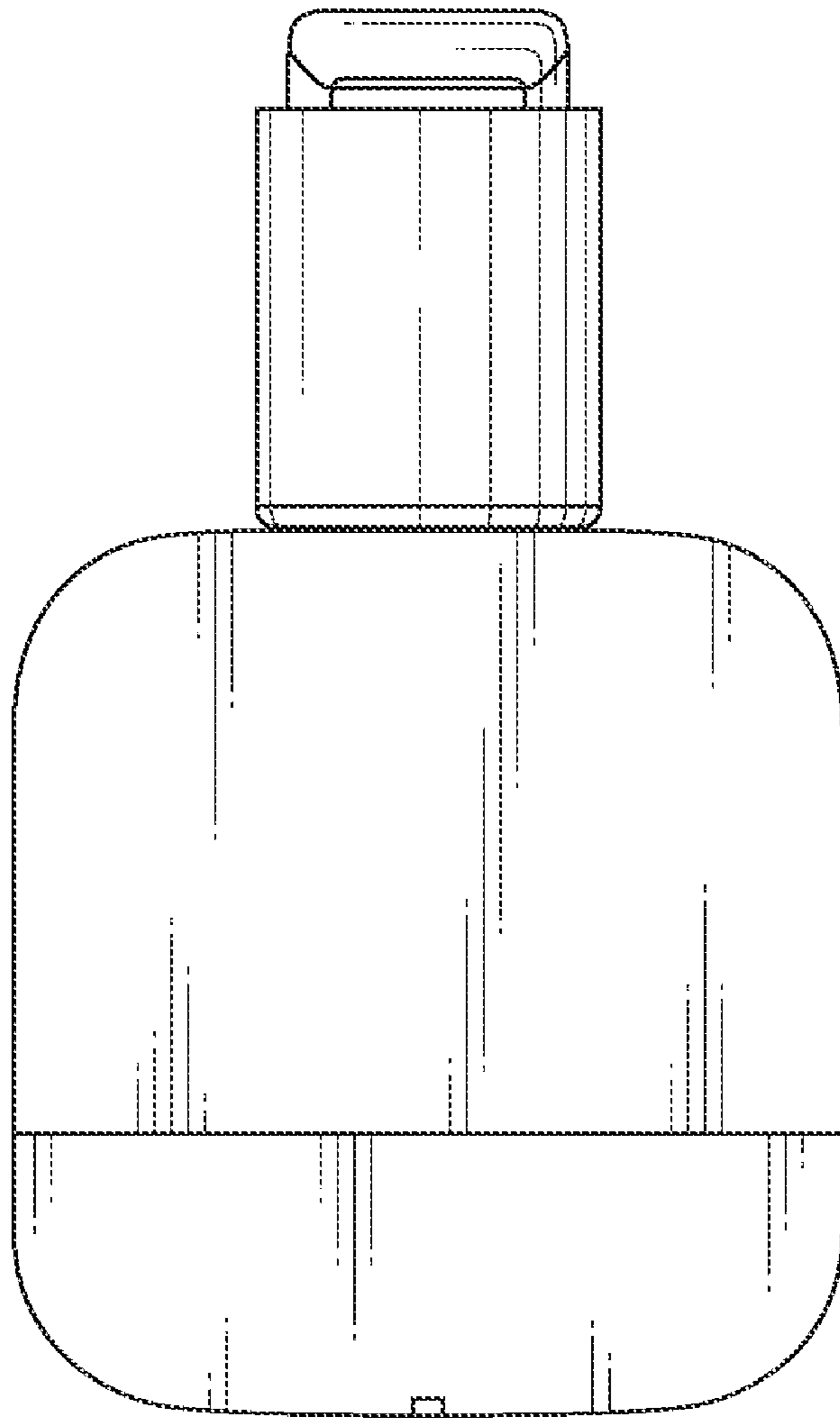


FIG. 5

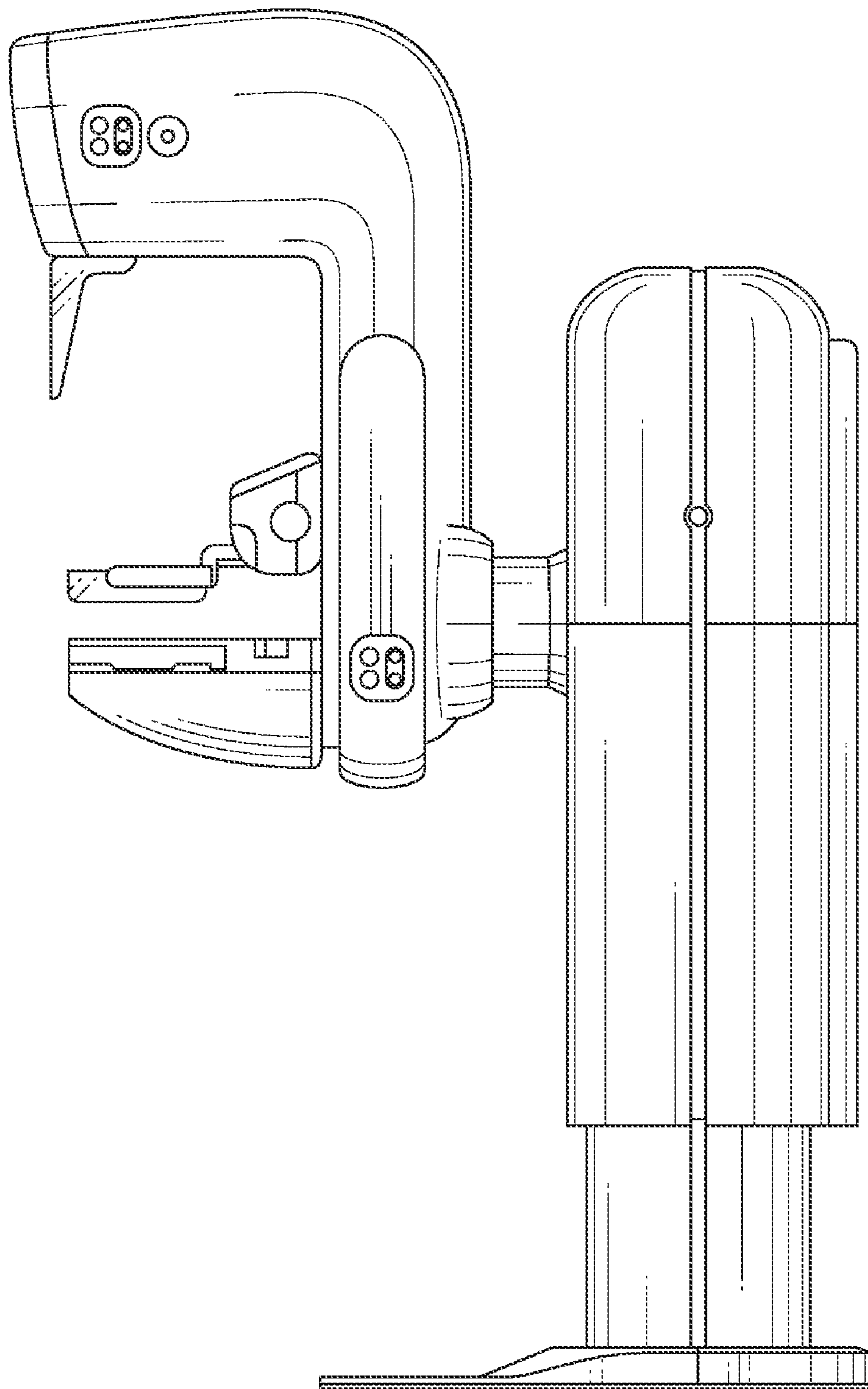


FIG. 6

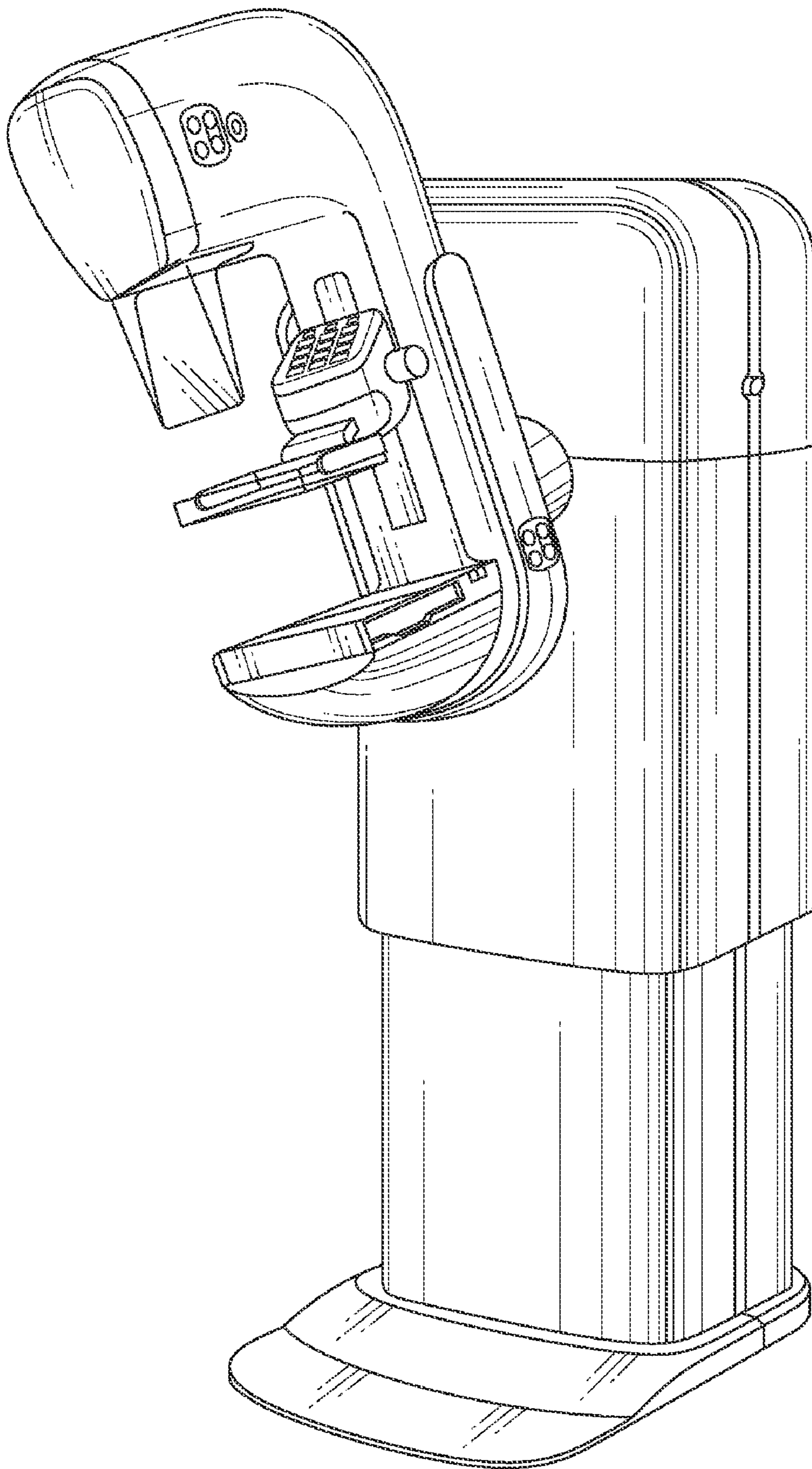


FIG. 7